

## Features

### Briggs & Stratton Vanguard Engine

Premium-grade Vanguard engines are application-engineered to power equipment that works for a living.

### Automatic Voltage Regulator

This generator will automatically regulate voltage at +/- 1% and is safe for sensitive electrical equipment.

### Powder Coat Paint

For an incredibly durable finish.

### Sturdy Wrap-Around Welded Tubular Cradle

Redesigned 14 gauge tubular cradle.

### 7 Gallon Fuel Tank

The EPA approved steel fuel tank design eliminates hydrocarbon emissions.

### Premium Square D Circuit Breakers

Providing clear and instant identification of a tripped circuit with a Visi-Trip indicator.

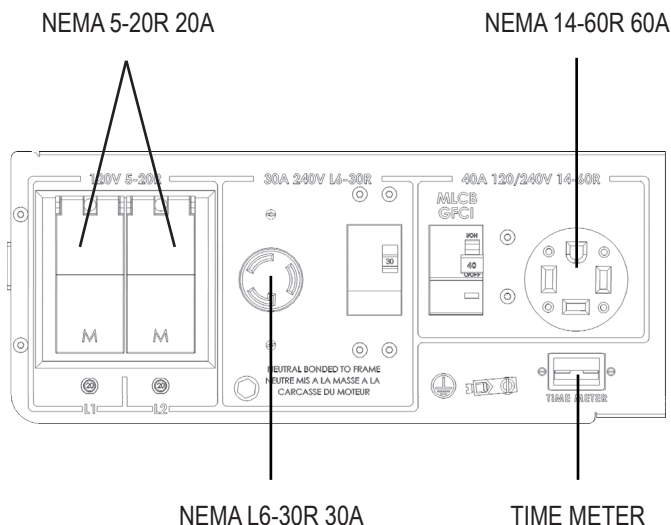
### 100% Load Tested

You won't find statistical sampling here. We load test every generator before it leaves our facility.

## INDUSTRIAL



**10,000 Starting Watts**  
**9,600 Running Watts**



## Optional Accessories

### Two-Wheel, Flat-Free Dolly Kit

Portability is important to get your generator where it needs to be.

### Generator Cover

When your generator is not in use, you will want to keep it dust and debris free.

### Plug-In Line Voltage Monitor

For when you want to verify the voltage output.

### 60 Amp (NEMA 14-60P) Plug

You supply the cord you need. We offer the plug.

### Maintenance Kit

Keep the engine at its peak performance to ensure the generator will be ready when needed most.

### Battery

Interstate group U1 300 CCA.

## GENERATOR

STARTING WATTS	10,000
RUNNING WATTS	9,600
RUNNING AMPS @ 120 VAC	80
RUNNING AMPS @ 240 VAC	40
VOLTAGE REGULATION	AVR +/-1%
FREQUENCY REGULATION	+/-3%
MAIN CIRCUIT BREAKER	40 AMP, 240 VAC (GFCI)
BONDED NEUTRAL	YES
120 VOLT RECEPTACLES	(2) NEMA 5-20R 20A (GFCI)
120/240 VOLT RECEPTACLES	(1) NEMA 14-60R 60A (GFCI)
240 VOLT RECEPTACLES	(1) NEMA L6-30R 30A (GFCI)
GENERATOR WARRANTY <sup>(1)</sup>	3 YRS COMMERCIAL

NOTES: (1) For more generator warranty information contact your local WINCO dealer.

## GENSET

MOTOR STARTING (CODE G) <sup>(1)</sup>	3 HP
SOUND DATA <sup>(2)</sup>	
NO LOAD	81.3
FULL LOAD	82.8
LIFTING EYE <sup>(3)</sup>	YES
2-WHEEL DOLLY KIT	OPTIONAL
PROTECTIVE ROLL FRAME	14 GAUGE STEEL
EPA APPROVED	YES
CARB APPROVED	YES
CSA APPROVED	NO
UNIT WARRANTY <sup>(4)</sup>	3 YRS COMMERCIAL

NOTES: (1) Code G capacitor start motor. (2) All measurements are in db(a). Tested at 7 meters (23 ft.). (3) Lifting eye ships loose. (4) For more generator warranty information contact your local WINCO dealer.

## ENGINE

ENGINE BRAND	BRIGGS & STRATTON
ENGINE MODEL	VANGUARD
ENGINE STARTER	ELECTRIC/RECOIL
ENGINE SPEED	3600 RPM
ENGINE CYLINDERS	V-TWIN
DISPLACEMENT/TYPE	570 CC / OHV
LOW OIL PROTECTION	STANDARD
RECOMMENDED OIL <sup>(1)</sup>	10W-30
OIL CAPACITY	2.4 QT
FUEL TANK	7 GAL
FUEL GAUGE	YES
FULL LOAD RUN TIME	4.3 HOURS
TIME METER	YES
BATTERY SIZE <sup>(2)</sup>	BCI GROUP U1 300 CCA
ENGINE WARRANTY <sup>(3)</sup>	3 YRS COMMERCIAL

NOTES: (1) The oil recommended is for normal applications. See operator's manual for the recommended oil for your needs. (2) Battery not included (3) Contact your local Briggs & Stratton service center for engine warranty assistance.

## DIMENSIONS

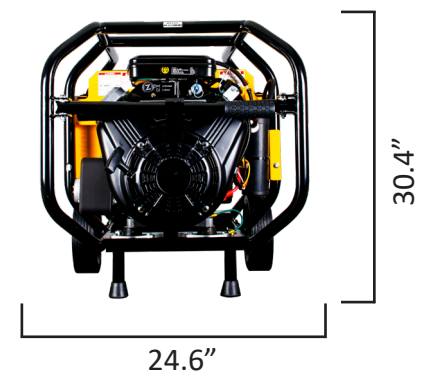
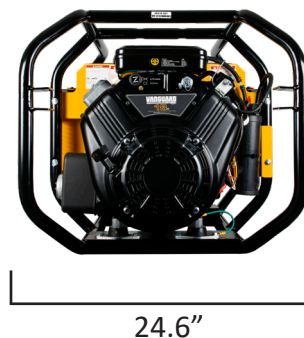
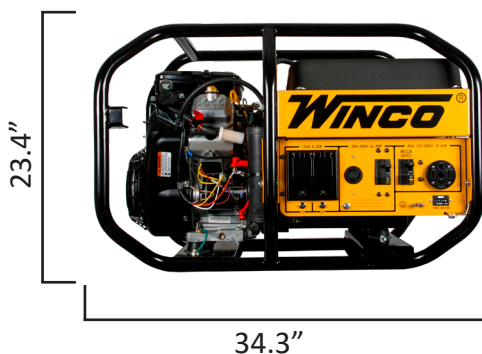
DIMENSIONS	34.3" x 24.6" x 23.4"
NET WEIGHT	284 LBS

NOTES: Dimensions are L x W x H. Add 3" height if lifting eye is installed. Add 6" height if dolly kit is installed.

## SHIPPING

SHIPPING DIMENSIONS	35.8" x 24.8" x 24.9"
SHIP WEIGHT	298 LBS
FREIGHT CLASS	70

NOTES: Dimensions are L x W x H.



Specifications are subject to change without notice.