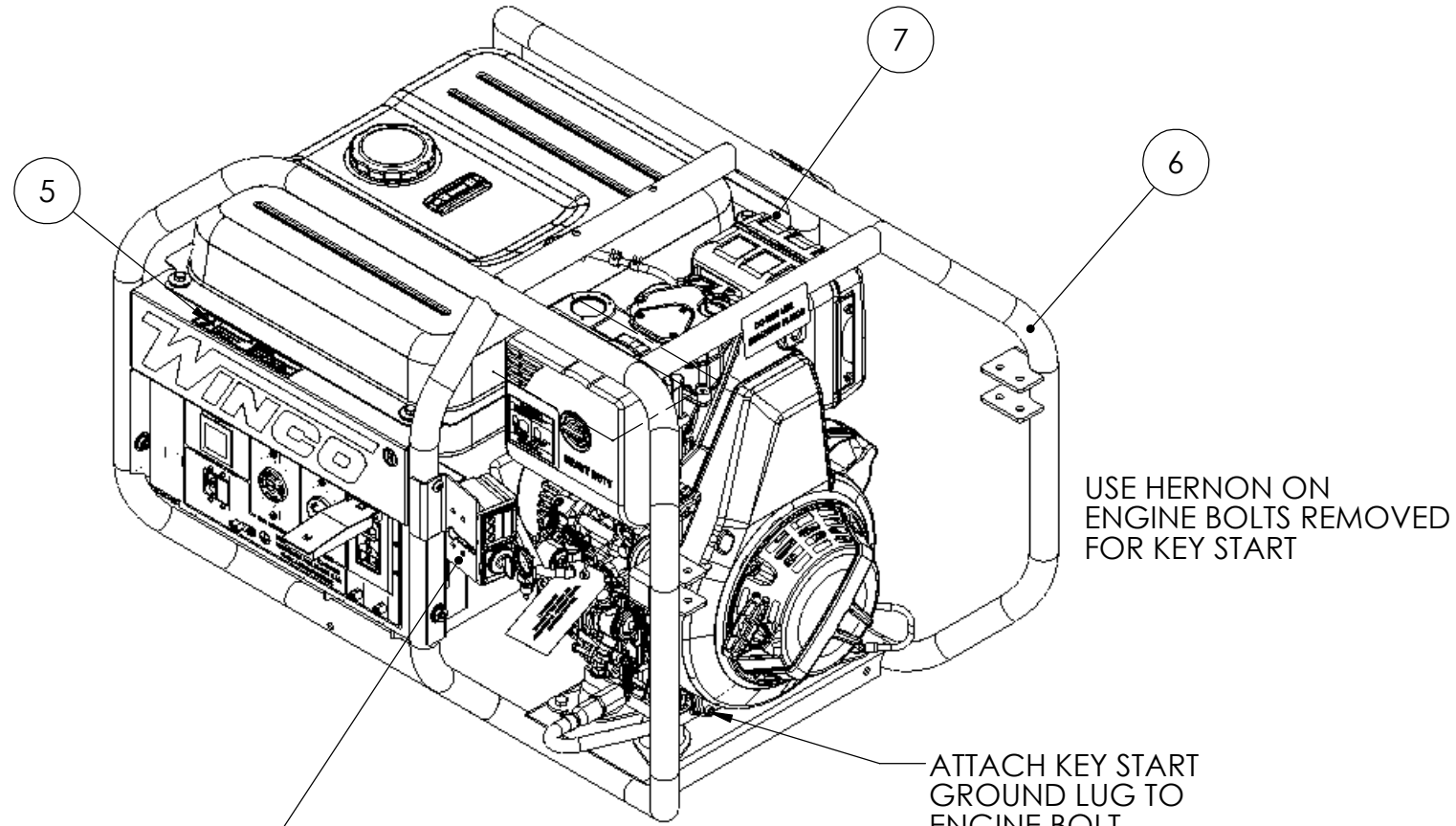


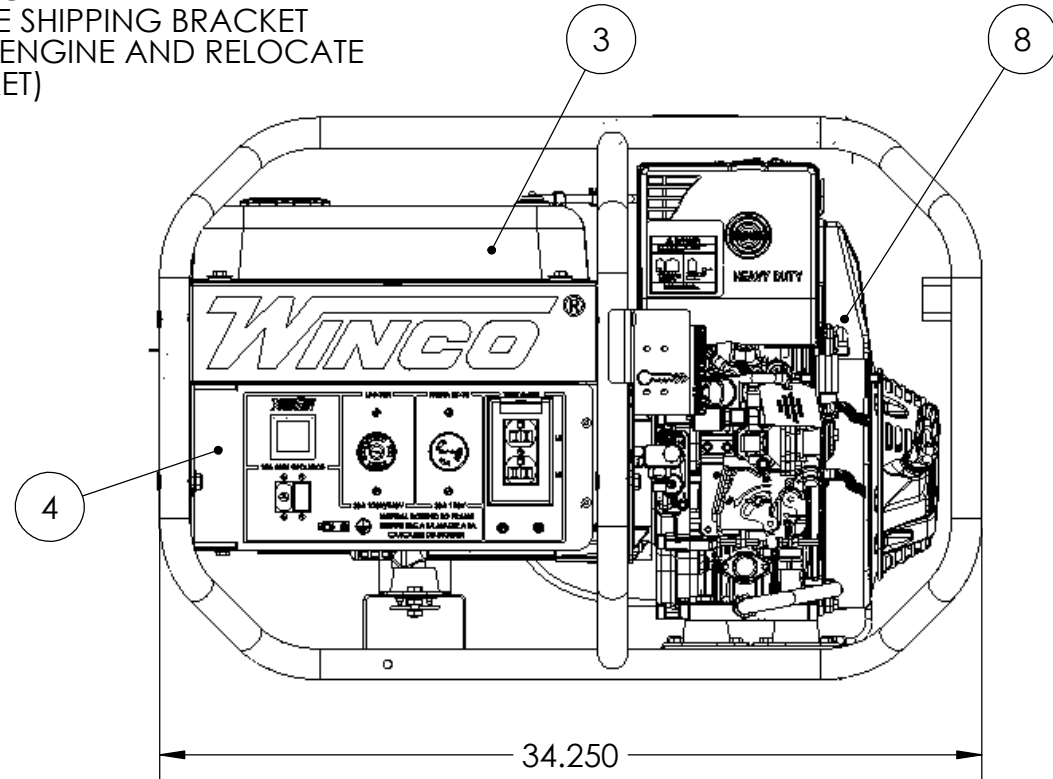
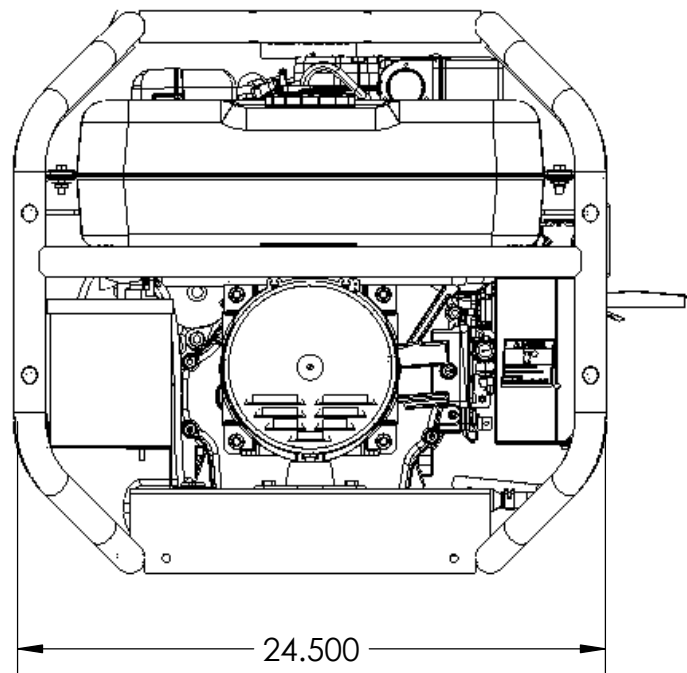
24006-006

REVISIONS					
REV.	IRN	DESCRIPTION	DATE	BY	APP'D
A		NEW ENGINE SPEC	4/13/2017	SJM	DRC
B	P295	15457-065 REPLACED WITH 15457-076	10/30/2017	SJM	DRD

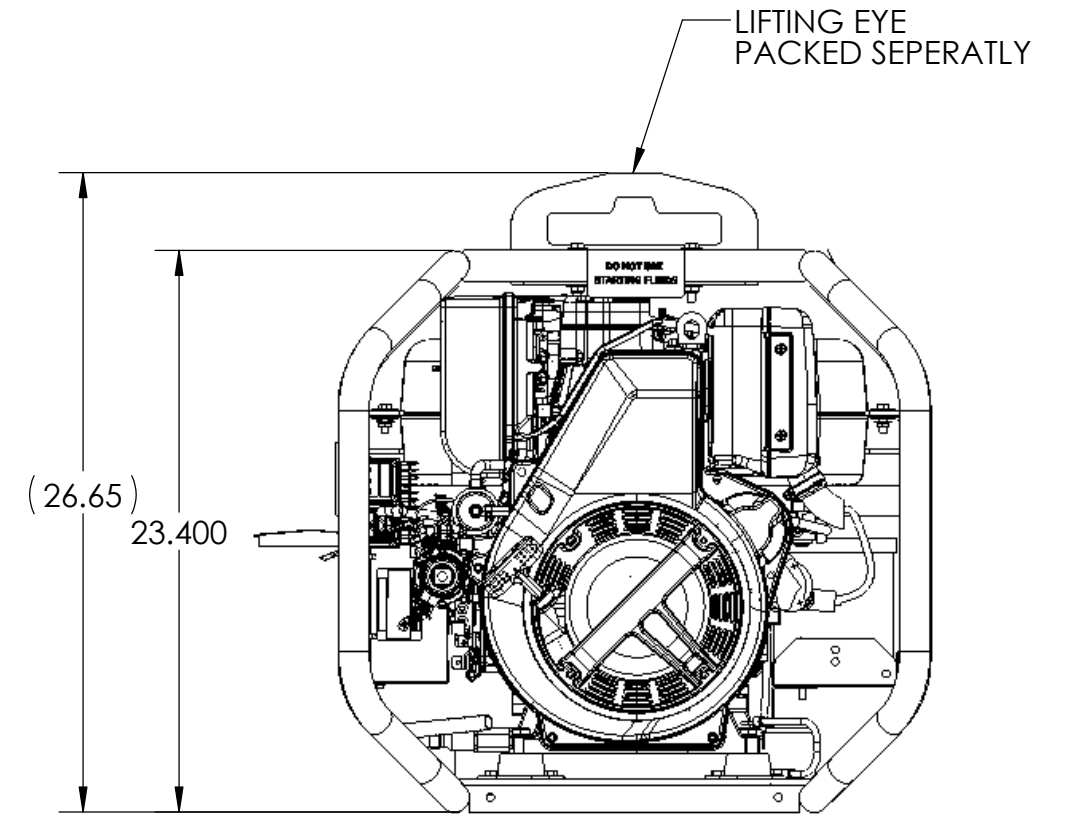


KEY START BRACKET  
(MUST REMOVE SHIPPING BRACKET ON FRONT OF ENGINE AND RELOCATE TO THIS BRACKET)

ATTACH KEY START GROUND LUG TO ENGINE BOLT



ITEM NO.	PartNo	DESCRIPTION	QTY.
1	100047-000	35 X 25 X 24 CARTON	1
2	100059-000	PALLET, 35X25	1
3	15163-097	FUEL SYSTEM ASSEMBLY	1
4	15457-076	RECEPTACLE ASSEMBLY	1
5	15715-088	DECAL KIT	1
6	18000-020	CRADLE ASSEMBLY	1
7	18000-021	SHEET METAL KIT	1
8	18000-037	ENGINE AND GENERATOR ASSEMBLY	1
9	300144-18	LIFTING EYE ASSEMBLY	1
10	300515-2	OIL	1.5 QTS
11	OPM-107	OPERATOR'S MANUAL	1



<p>THIS DRAWING CONTAINS PROPRIETARY INFORMATION BELONGING TO WINCO. UNAUTHORIZED USE IS PROHIBITED.</p> <p>ALL DIMESNIONS INCH</p>	DRAWN BY SJM	DATE 4/13/2017	CHK'D BY	DATE	ENG APPR. DRC	DATE 4/18/2017
	TOLERANCE:	+/- 0.0625 DECIMAL +/- 1 DEG ANGULAR		TITLE: W6010DE/J		
	MODEL:	W6010DE		PART: 24006-006		
	<b>WINCO</b> ®					