

Features

Honda GC160 Engine

You expect the best; you get the best. The Honda GC160 provides the longevity you expect from Honda.

Low Oil Protection

In the event there is low oil pressure, the engine will shut down, and protect the engine from damage.

Powder Coat Paint

For an incredibly durable finish.

Light Weight

When you need a Lil' helping hand on your worksite, at 68 lbs. the W3000H is easily carried.

EPA Approved Fuel Tank

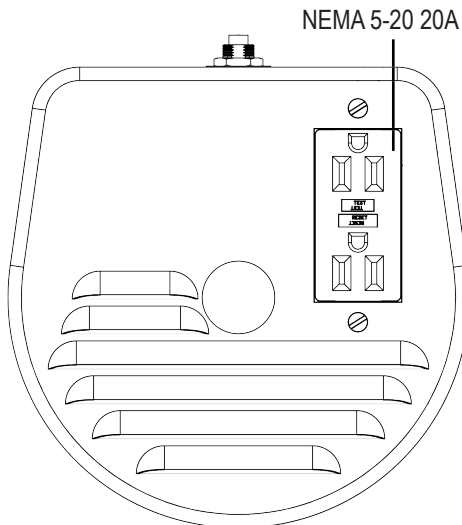
Equipped with an EPA approved plastic fuel tank.

100% Load Tested

You won't find statistical sampling here. We load test every generator before it leaves our facility.

INDUSTRIAL *Lil' Dog*

3,000 Starting Watts
2,400 Running Watts



Optional Accessories

Plug-In Line Voltage Monitor

For when you want to verify the voltage output.

Maintenance Kit

Keep the engine at its peak performance to ensure the generator will be ready when needed most.

GENERATOR

STARTING WATTS	3,000
RUNNING WATTS	2,400
RUNNING AMPS @120 VAC	20
VOLTAGE REGULATION	CAPACITOR +/-5%
FREQUENCY REGULATION	+/-3%
MAIN CIRCUIT BREAKER	20 AMP
NEUTRAL BONDED	YES
120 VOLT RECEPTACLES	(2) NEMA 5-20 20A (GFCI)
GENERATOR WARRANTY ⁽¹⁾	1 YR COMMERCIAL

NOTES: (1) For generator warranty information contact your local WINCO dealer.

GENSET

MOTOR STARTING (CODE G) ⁽¹⁾	.75 HP
SOUND DATA ⁽²⁾ FULL LOAD	72
LIFTING EYE	YES
ASSEMBLED IN	USA
EPA APPROVED	YES
CARB APPROVED	YES
CSA APPROVED	NO
UNIT WARRANTY	1 YR COMMERCIAL

NOTES: (1) Code G capacitor start motor. (2) All measurements are in db(a). Tested at 7 meters (23 ft.) (3) For generator warranty information contact your local WINCO dealer.

ENGINE

ENGINE BRAND	HONDA
ENGINE MODEL	GC160 OHC
ENGINE STARTER	RECOIL
ENGINE SPEED	3600 RPM
ENGINE CYLINDERS	SINGLE
DISPLACEMENT/TYPE	160 CC / OHV
LOW OIL PROTECTION	STANDARD
RECOMMENDED OIL	10W-30
OIL CAPACITY ⁽¹⁾	.61 QT
FUEL TANK	2 QT
FUEL GAUGE	NO
HALF LOAD RUN TIME	1.5 HOURS
TIME METER	NO
ENGINE WARRANTY ⁽²⁾	1 YR COMMERCIAL

NOTES: (1) The recommended oil is for normal applications. See operator's manual for the recommended oil for your needs. (2) Contact your local Honda service center for engine warranty assistance.

DIMENSIONS

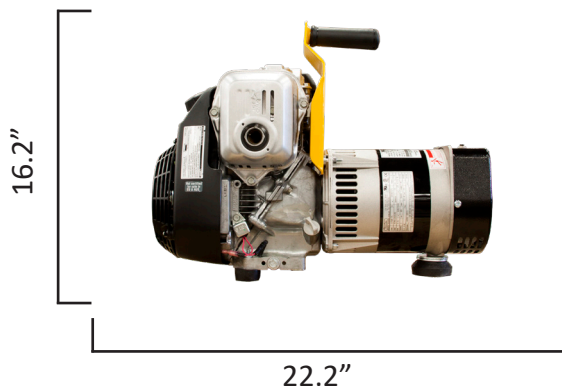
DIMENSIONS	22.2" x 14.7" x 16.2"
NET WEIGHT	68 LBS

NOTE: Dimensions are L x W x H

SHIPPING

SHIPPING DIMENSIONS	25" x 19" x 19"
SHIP WEIGHT	72 LBS
FREIGHT CLASS	70

NOTE: Dimensions are L x W x H



Specifications are subject to change without notice.