

Features

Briggs & Stratton Vanguard Engine

Premium-grade Vanguard engines are application-engineered to power equipment that works for a living.

Low Oil Protection

In the event there is low-oil level, the engine will shut down, which will protect the engine from damage.

Powder Coat Paint

For an incredibly durable finish.

Sturdy Wrap-Around Welded Tubular Cradle

We use 14 gauge steel to provide industrial strength support.

15 Gallon Fuel Tank

The EPA approved steel fuel tank design eliminates hydrocarbon emissions.

Premium Square D Circuit Breakers

Providing clear and instant identification of a tripped circuit with a Visi-Trip indicator.

100% Load Tested

You won't find statistical sampling here. We load test every generator before it leaves our facility.

INDUSTRIAL

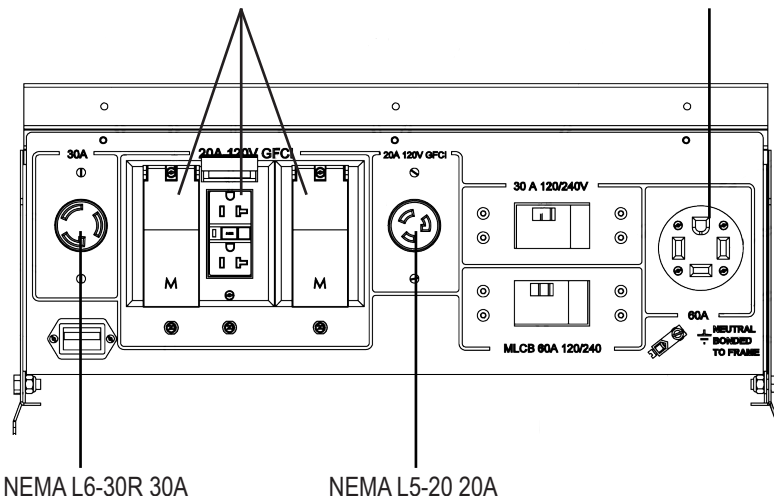


18,000 Starting Watts
15,000 Running Watts



NEMA 5-20R 20A

NEMA 14-60R 60A



Optional Accessories

Four Wheel, Flat-Free Dolly Kit

Portability is important to get your generator where it needs to be.

Generator Cover

When your generator is not in use, you will want to keep it dust and debris free.

Plug-In Line Voltage Monitor

For when you want to verify the voltage output.

60 Amp (NEMA 14-60P) Plug

You supply the cord you need. We offer the plug.

Maintenance Kit

Keep the engine at its peak performance to ensure the generator will be ready when needed most.

Battery

Interstate group 26 500 CCA

GENERATOR

STARTING WATTS	18,000
RUNNING WATTS	15,000
RUNNING AMPS @ 120 VAC	125
RUNNING AMPS @ 240 VAC	62.5
VOLTAGE REGULATION	CAPACITOR +/-5%
FREQUENCY REGULATION	+/-3%
MAIN CIRCUIT BREAKER	60 AMP, 240 VAC
BONDED NEUTRAL	YES
120 VOLT RECEPTACLES	(3) NEMA 5-20R 20A (GFCI) (1) NEMA L5-20 20A (GFCI)
120/240 VOLT RECEPTACLES	(1) NEMA 14-60R 60A
240 VOLT RECEPTACLES	(1) NEMA L6-30R 30A (GFCI)
GENERATOR WARRANTY ⁽¹⁾	2 YRS COMMERCIAL

NOTES: (1) For more generator warranty information contact your local WINCO dealer.

GENSET

MOTOR STARTING (CODE G) ⁽¹⁾	6 HP
SOUND DATA ⁽²⁾ FULL LOAD	79
LIFTING EYE	INCLUDED
4-WHEEL DOLLY KIT	OPTIONAL
PROTECTIVE ROLL FRAME	14 GAUGE STEEL
ASSEMBLED IN	USA
EPA APPROVED	YES
CARB APPROVED	NO
CSA APPROVED	NO

UNIT WARRANTY⁽³⁾ 2 YEARS COMMERCIAL

NOTES: (1) Code G capacitor start motor. (2) All measurements are in db(a). Tested at 7 meters (23 ft.). (3) For more generator warranty information contact your local WINCO dealer.

ENGINE

ENGINE BRAND	BRIGGS & STRATTON
ENGINE MODEL	VANGUARD
ENGINE STARTER	ELECTRIC
ENGINE SPEED	3600 RPM
ENGINE CYLINDERS	V-TWIN
DISPLACEMENT/TYPE	895 CC / OHV
LOW OIL PROTECTION	STANDARD
RECOMMENDED OIL ⁽¹⁾	10W-30
OIL CAPACITY	2.1 QT
FUEL TANK	15 GAL
FUEL GAUGE	YES
FULL LOAD RUN TIME	7 HOURS
TIME METER	YES
BATTERY SIZE ⁽²⁾	BCI GROUP 26 500 CCA
ENGINE WARRANTY ⁽³⁾	3 YRS COMMERCIAL

NOTES: (1) The oil recommended is for normal applications. See operator's manual for the recommended oil for your needs. (2) Battery not included (3) Contact your local Briggs & Stratton service center for engine warranty assistance.

DIMENSIONS

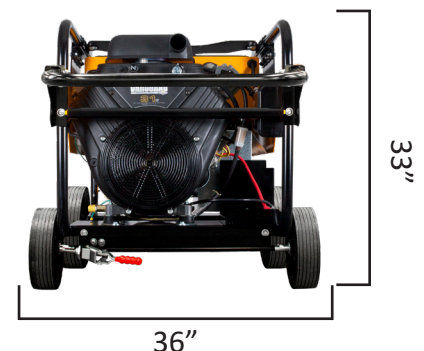
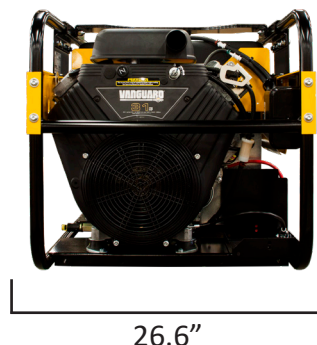
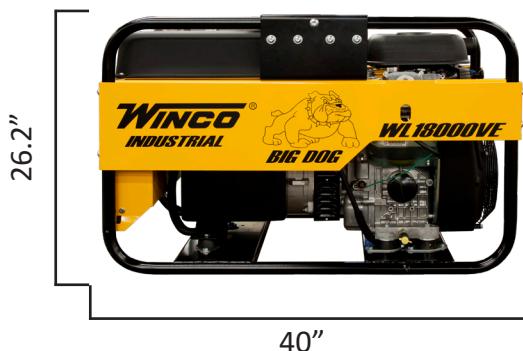
DIMENSIONS	40" x 26.6" x 26.2"
DIMENSIONS W/ WHEEL KIT	44.6" x 36" x 33"
NET WEIGHT	442 LBS

NOTES: Dimensions are L x W x H.

SHIPPING

SHIPPING DIMENSIONS	50" x 27" x 32"
SHIP WEIGHT	489 LBS
FREIGHT CLASS	70

NOTES: Dimensions are L x W x H.



Specifications are subject to change without notice.