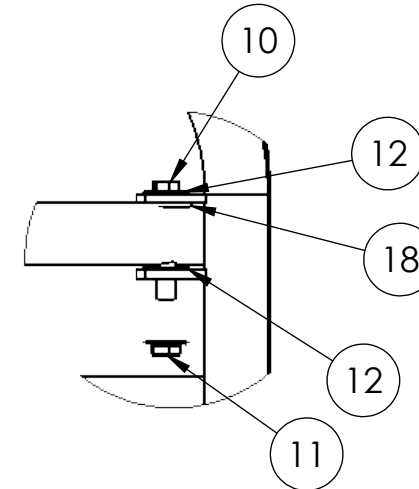
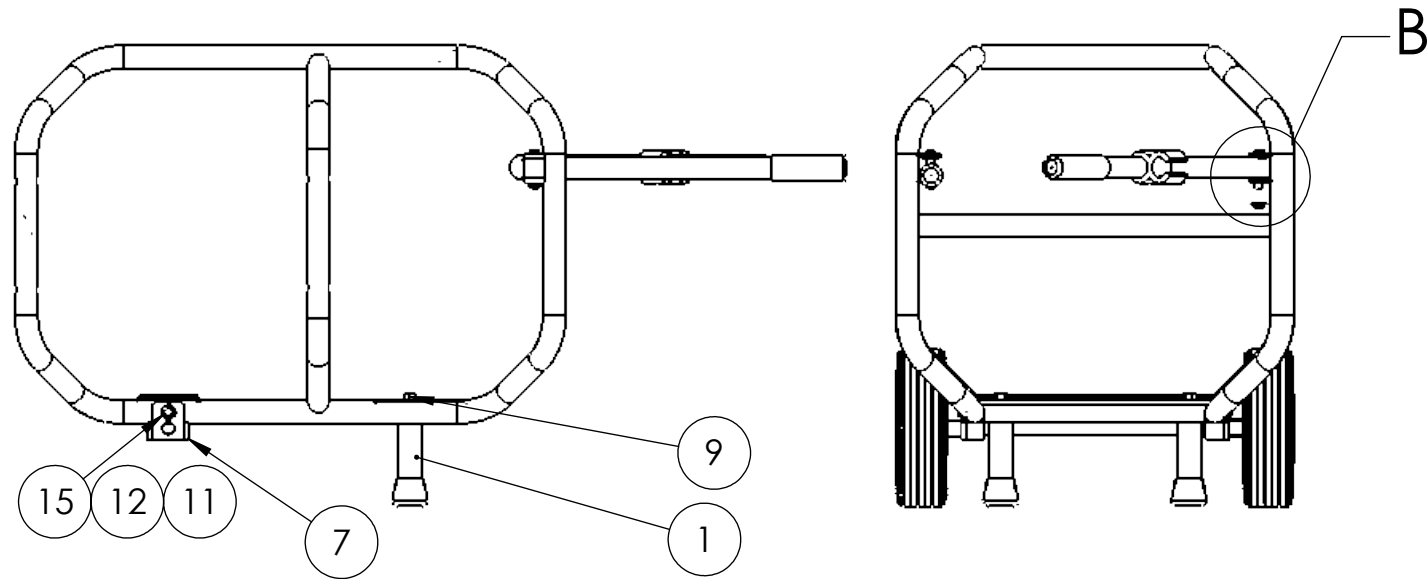
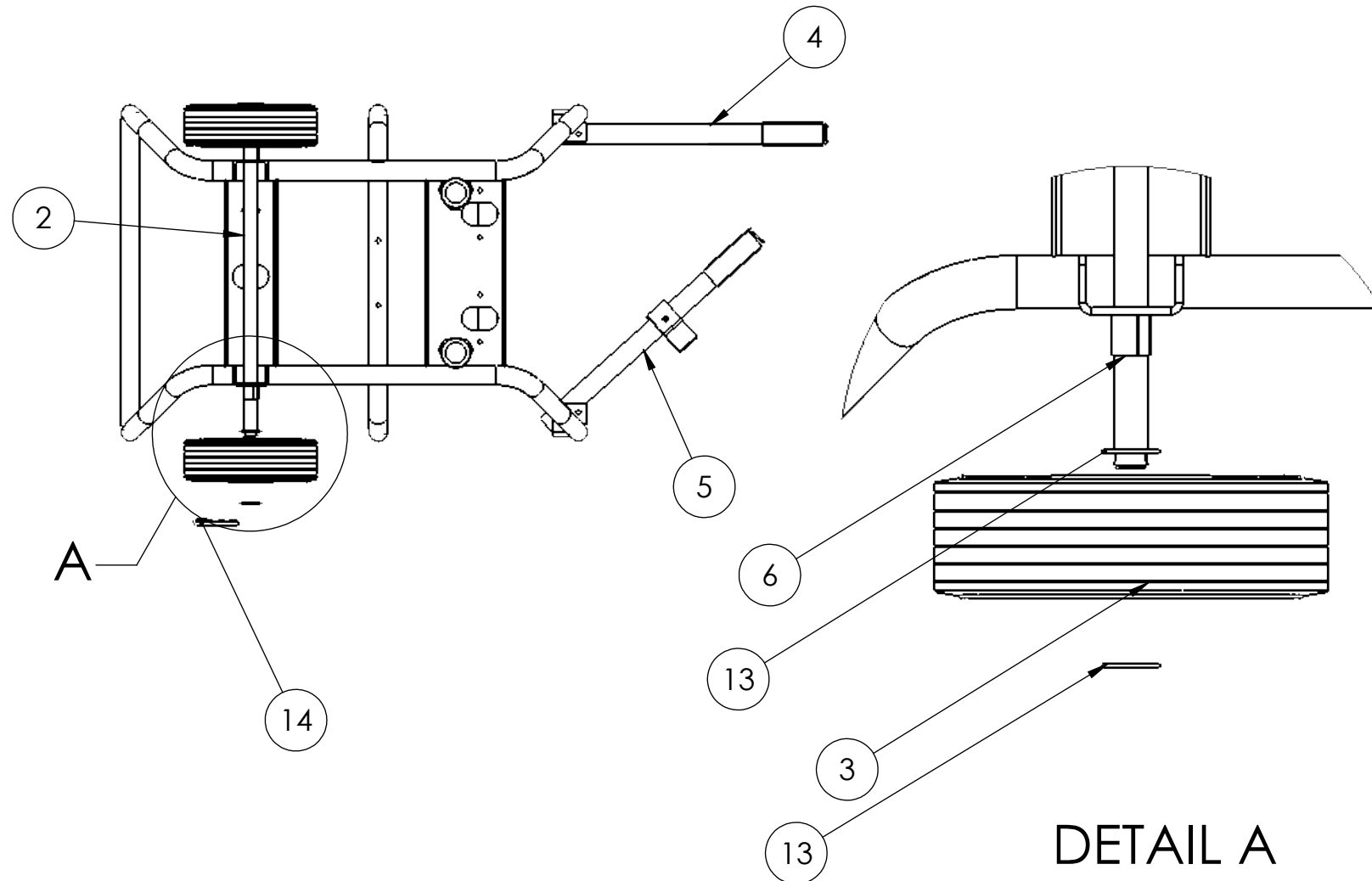


9E0-66191

REVISIONS					
REV.	IRN	DESCRIPTION	DATE	BY	APP'D
A	P261	ORIGINAL	6/7/16	RJD	ZJF
B	5580	MADE HARDWARE AND BRACKET CHANGES	6/29/2016	ZJF	ZJF
C		UPDATE FOR WHEEL SPACERS AND RUBBER CLIP	8/23/2016	RJD	ZJF
D	5911	UPDATE FOR TWO SEPERATE HANDLE PIECES	9/14/2016	RJD	ZJF
E	5911	UPDATE FOR MODIFIED CLIP	9/28/2016	RJD	ZJF
F	6126	UPDATE FOR PAINT SUB ASSEMBLY	10/27/2016	RJD	DRC



DETAIL B
SCALE 1 : 4



DETAIL A

ITEM NO.	PartNo	DESCRIPTION	QTY.
1	383000-036	WELDED FOOT	2
2	64326-026	AXLE, 24.125"	1
3	43657-008	WHEEL 10" DIA X 3" HARD RUBBER	2
4	16197-001	HANDLE	1
5	16197-000	HANDLE W/ CLIP	1
* 6	64688-008	SPACER AXLE STUB .75X1.00IN	2
* 7	15775-026	AXLE BRACKET	2
* 8	21867-000	FLAT WASHER	2
* 9	57580-000	1/2-13 X 1.5 HHB	2
* 10	471-000	5/16-18 X 2.25	2
* 11	16249-000	.3125-18 FLANGE	4
* 12	526-000	5/16 FLAT WASHER	6
* 13	1178-000	FLAT WASHER .760 X 1.375 X .0897	4
* 14	97883-001	PIN, COTTER, HAIR,	2
* 15	91672-009	5/16-18 X 2	2
* 16	16199-036I	INSTRUCTION SHEET	1
* 17	91372-000	PLASTIC BAG	1
* 18	23558-000	FLAT WSHR. .3435 X 1 .125 THK. ZINC	2
19	16199-136	PARTS BAG	1
20	100047-773	CARTON	1

* LOCATED IN PARTS BAG 16199-136

THIS DRAWING CONTAINS PROPRIETARY INFORMATION BELONGING TO WINCO. UNAUTHORIZED USE IS PROHIBITED. ALL DIMESNIIONS INCH	DRAWN BY RJD	DATE 6/7/2016	CHK'D BY 	DATE 	ENG APPR. ZJF	DATE 6/8/2016
	TOLERANCE: +/- 0.0625 DECIMAL +/- 1 DEG ANGULAR	TITLE: 2 WHEEL DOLLY KIT				
	MODEL: 2 WHEEL DOLLY KIT	PART: 16199-036 1 of 1				

