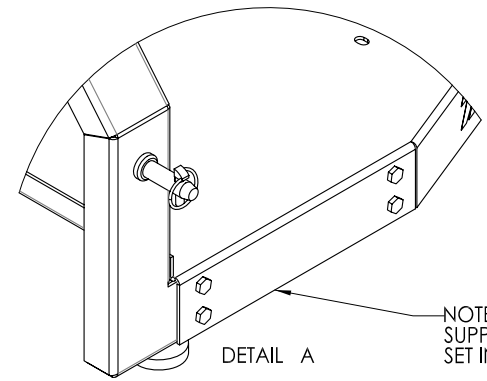
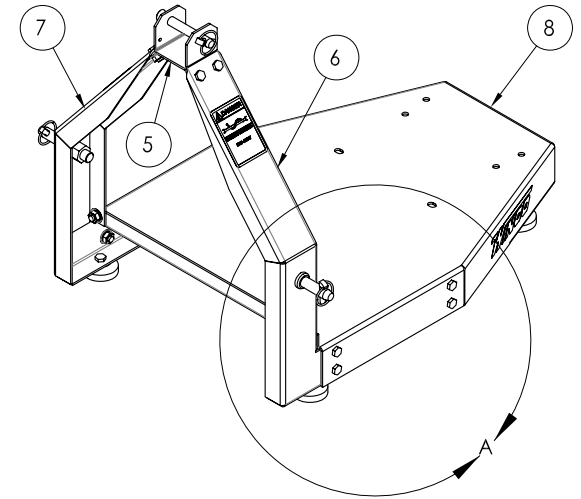
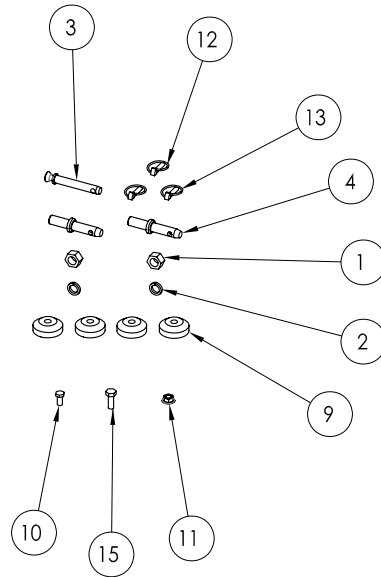
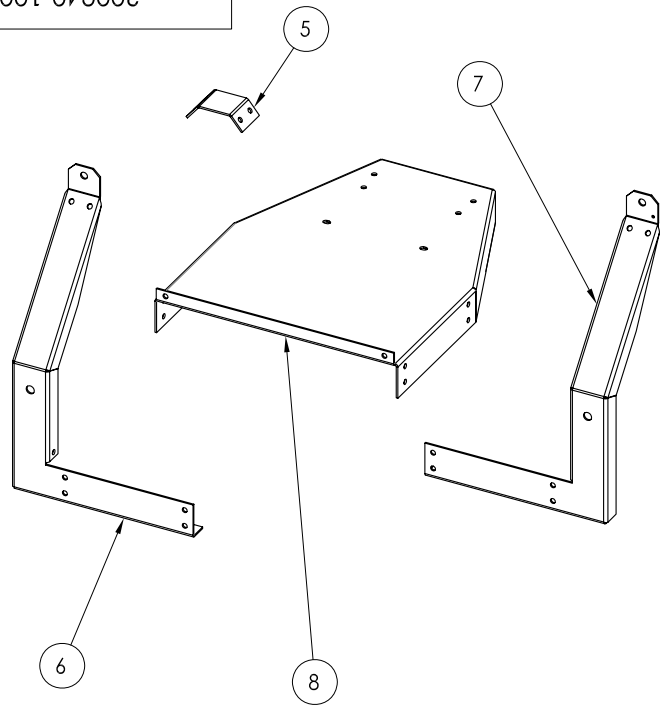


300240-100



NOTE:
SUPPORT ARMS ARE
SET INSIDE OF BASE

BOM Table

ITEM NO.	PartNo	DESCRIPTION	QTY.
1	350470	HEX NUT 7/8-14NF	2
2	350020	LOCK WASHER 7/8"	2
3	300209	PIN, TOP LINK	1
4	300208	PIN, DRAW	2
5	300240-4	ARM TIE	1
6	300240-3	RIGHT SUPPORT ARM	1
7	300240-2	LEFT SUPPORT ARM	1
8	300240-1	BASE	1
9	300212	ISOLATOR, NEOPRENE, 40 DURO	4
10	48178-000	.5-13X1 HHCS	18
11	16248-001	.5-13 FLANGE NUT	22
12	300211	LYNCH PIN W/ CHAIN	1
13	300210	LYNCH PIN	2
14	300228	TUMBLE BAR	1
15	57580-000	.5-13X1.5 HHCS	4

ASSEMBLY

1. MOUNT RUBBER FEET TO BOTTOM OF SUPPORT ARMS AND BASE (#'S 6,7,8) WITH 1" BOLT AND FLANGE NUT.
2. ASSEMBLE LEFT AND RIGHT SUPPORT ARMS (ITEM #'S 6 & 7) WITH ARM TIE (ITEM #5) AND SUPPLIED HARDWARE (LEAVE BOLTS LOOSE)
3. ASSEMBLE BASE ONTO SUPPORT ARMS ACCORDING TO DETAIL "A" WITH 1" BOLTS AND FLANGE NUTS
4. GO BACK AND TIGHTEN ARM TIE TO SUPPORT ARMS
5. MOUNT DRAW PINS (#4) TO SUPPORT ARMS (LOCK WASHER PLACED INSIDE ARMS)
6. ATTACH LYNCH PIN W/ CHAIN TO LEFT SUPPORT ARM (#7)

MOUNTING GENERATOR TO BASE

1. ATTACH HITCH KIT TO TRACTOR
2. SET GENERATOR ONTO BASE AND SLIDE MOUNTING BOLTS (ITEM #15) INTO HOLES.
3. RAISE HITCH KIT TO A DESIRED LEVEL TO THREAD NUTS (ITEM #11) ONTO MOUNTING BOLTS
4. TORQUE MOUNTING BOLTS TO 40FT. LBS

UNLESS OTHERWISE SPECIFIED		ANGULAR		MACHINED SURFACE TEXTURE		ALL DIMENSIONS GIVEN IN INCHES WORK TO DIMENSIONS FLAT OUTSIDE VIEW SHOWN UNLESS NOTED -DO NOT SCALE-		
FRACTIONS	1 PLACE DEC.	.1						
	2 PLACE DEC.	.015						
	3 PLACE DEC.	.005						
	DRAWN BY	RLC	DATE	10/11/10	CHK'D BY	DATE	ENG APPR.	CLR
								1/25/11
THIS DRAWING CONTAINS PROPRIETARY INFORMATION BELONGING TO WINCO. UNAUTHORIZED USE IS PROHIBITED	MATERIAL:							
	FINISH:							
	ASSY:							
	MODEL:	TPH240	TITLE: TPH240 INSTRUCTION SHEET					
				PART NO. 300240-100				