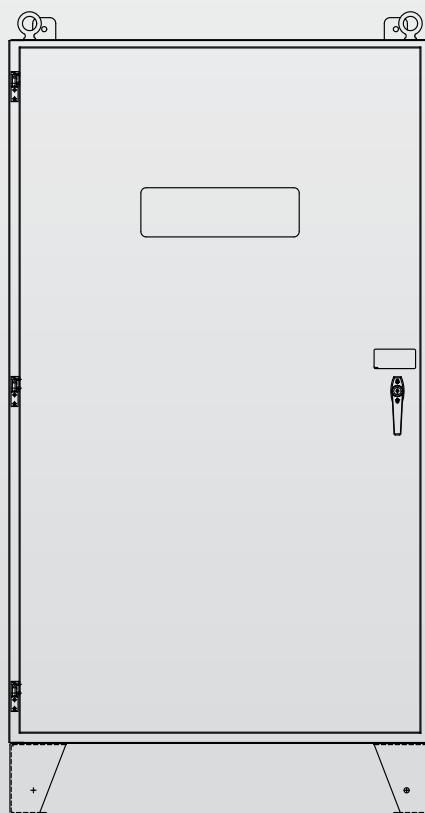


# Owner's Manual

## 600 and 800 Amp RTS Automatic Transfer Switch



## Safety Rules

**! SAVE THESE INSTRUCTIONS!** Read the following information carefully before attempting to install, operate or service this equipment. Also read the instructions and information on tags, decals, and labels that may be affixed to the transfer switch. Replace any decal or label that is no longer legible.

**! DANGER!** Connection of a generator to an electrical system normally supplied by an electric utility shall be by means of suitable transfer equipment so as to isolate the electric system from utility distribution system when the generator is operating (Article 701 Legally Required Standby Systems or Article 702 Optional Standby Systems, as applicable). Failure to isolate electric system by these means may result in damage to generator and may result in injury or death to utility workers due to backfeed of electrical energy.

The manufacturer cannot anticipate every possible circumstance that might involve a hazard. The warnings in this manual, and on tags and decals affixed to the unit are, therefore, not all-inclusive. If using a procedure, work method or operating technique the manufacturer does not specifically recommend, ensure that it is safe for others. Also make sure the procedure, work method or operating technique chosen does not render the transfer switch unsafe.

Throughout this publication, and on tags and decals affixed to the generator, DANGER, WARNING, CAUTION and NOTE blocks are used to alert personnel to special instructions about a particular operation that may be hazardous if performed incorrectly or carelessly. Observe them carefully. Their definitions are as follows:

### **! DANGER!**

**After this heading, read instructions that, if not strictly complied with, will result in serious personal injury, including death.**

### **! WARNING!**

**After this heading, read instructions that, if not strictly complied with, could result in serious personal injury, including death.**

### **! CAUTION!**

**After this heading, read instructions that, if not strictly complied with, might result in minor or moderate injury.**

### **NOTE:**

**After this heading, read instructions that, if not strictly complied with, may result in damage to equipment and/or property.**

These safety warnings cannot eliminate the hazards that they indicate. Common sense and strict compliance with the special instructions while performing the service are essential to preventing accidents.

Four commonly used safety symbols accompany the DANGER, WARNING and CAUTION blocks. The type of information each indicates follows:

**! This symbol points out important safety information that, if not followed, could endanger personal safety and/or property.**

**! This symbol points out potential explosion hazard.**

**! This symbol points out potential fire hazard.**

**! This symbol points out potential electrical shock hazard.**

## GENERAL HAZARDS

- Any AC generator that is used for backup power if a NORMAL (UTILITY) power source failure occurs, must be isolated from the NORMAL (UTILITY) power source by means of an approved transfer switch. Failure to properly isolate the NORMAL and STANDBY power sources from each other may result in injury or death to electric utility workers, due to backfeed of electrical energy.
- Improper or unauthorized installation, operation, service or repair of the equipment is extremely dangerous and may result in death, serious personal injury, or damage to equipment and/or personal property.
- Extremely high and dangerous power voltages are present inside an installed transfer switch. Any contact with high voltage terminals, contacts or wires will result in extremely hazardous, and possibly LETHAL, electric shock. DO NOT WORK ON THE TRANSFER SWITCH UNTIL ALL POWER VOLTAGE SUPPLIES TO THE SWITCH HAVE BEEN POSITIVELY TURNED OFF.
- Competent, qualified personnel should install, operate and service this equipment. Adhere strictly to local, state and national electrical and building codes. When using this equipment, comply with regulations the National Electrical Code (NEC), CSA Standard; C22.1 Canadian Electric Code and Occupational Safety and Health Administration (OSHA) have established.
- Never handle any kind of electrical device while standing in water, while barefoot, or while hands or feet are wet. DANGEROUS ELECTRICAL SHOCK MAY RESULT.
- Remove all jewelry (such as rings, watches, bracelets, etc.) before working on this equipment.

- If work must be done on this equipment while standing on metal or concrete, place insulative mats over a dry wood platform. Work on this equipment only while standing on such insulative mats.
- Never work on this equipment while physically or mentally fatigued.
- Keep the transfer switch enclosure door closed and bolted at all times. Only qualified personnel should be permitted access to the switch interior.
- In case of an accident caused by electric shock, immediately shut down the source of electrical power. If this is not possible, attempt to free the victim from the live conductor but **AVOID DIRECT CONTACT WITH THE VICTIM**. Use a nonconducting implement, such as a dry rope or board, to free the victim from the live conductor. If the victim is unconscious, apply first aid and get immediate medical help.
- When an automatic transfer switch is installed for a standby generator set, the generator engine may crank and start at any time without warning. To avoid possible injury that might be caused by such sudden start-ups, the system's automatic start circuit must be disabled before working on or around the generator or transfer switch. Then place a "DO NOT OPERATE" tag on the transfer switch and on the generator. Remove the Negative (Neg) or (–) battery cable.

<b>Safety Rules .....</b>	<b>Inside Front Cover</b>
<b>General Information .....</b>	<b>2</b>
1.1 Introduction .....	2
1.2 Equipment Description .....	2
1.3 Transfer Switch Data Label.....	2
1.4 Transfer Switch Enclosure.....	2
1.5 Safe Use Of Transfer Switch.....	2
<b>Installation .....</b>	<b>3</b>
2.1 Introduction to Installation .....	3
2.2 Unpacking .....	3
2.3 Mounting .....	3
2.4 Connecting Power Source and Load Lines .....	3
2.4.1 3-Pole Mechanism.....	3
2.5 Connecting Control Wires .....	4
2.6 Auxiliary Contacts .....	4
2.7 Optional Accessories .....	4
<b>Operation .....</b>	<b>4</b>
3.1 Functional Tests & Adjustments .....	4
3.2 Manual Operation.....	5
3.2.1 Trip to Neutral Position.....	5
3.2.2 Close to Emergency Source Side .....	6
3.2.3 Close to Normal Source Side .....	6
3.3 Voltage Checks .....	6
3.3.1 Utility Voltage Checks .....	6
3.3.2 Generator Voltage Checks .....	7
3.4 Generator Tests Under Load.....	8
<b>Interconnection Diagram .....</b>	<b>9</b>
<b>Installation Diagram .....</b>	<b>10</b>
<b>Notes .....</b>	<b>12</b>

**For authorized service,  
reference the dealer locator  
number found inside the  
generator owner's manual.**

# General Information

## 1.1 INTRODUCTION

This manual has been prepared especially for the purpose of familiarizing personnel with the design, application, installation, operation and servicing of the applicable equipment. Read the manual carefully and comply with all instructions. This will help to prevent accidents or damage to equipment that might otherwise be caused by carelessness, incorrect application, or improper procedures.

Every effort has been expended to make sure that the contents of this manual are both accurate and current. The manufacturer, however, reserves the right to change, alter or otherwise improve the product at any time without prior notice.

## 1.2 EQUIPMENT DESCRIPTION

The automatic transfer switch is used for transferring critical electrical loads from a UTILITY (NORMAL) power source to an EMERGENCY (GENERATOR) power source.

The transfer switch prevents electrical feedback between the UTILITY and EMERGENCY sources. For that reason, electrical codes require a transfer switch in all standby electric system installations.

When the transfer switch is connected to the engine generator control panel, the control panel constantly monitors the UTILITY voltage and controls the operation of the transfer switch.

Should the UTILITY voltage drop below a preset value, and remain at this low voltage for a preset amount of time, the generator cranks and starts. After the generator starts, the transfer switch transfers the load circuits to the generator, the generator then supplies the loads. When UTILITY returns above a preset level the load is transferred back to the UTILITY and the generator shuts down.

This manual is for RTS models:

- RTSN600A3 600A - 120/240V, 1-phase
- RTSN600G3 600A - 120/208V, 3-phase
- RTSN600J3 600A - 120/240V, 3-phase
- RTSN600K3 600A - 277/480V, 3-phase
- RTSN800A3 800A - 120/240V, 1-phase
- RTSN800G3 800A - 120/208V, 3-phase
- RTSN800J3 800A - 120/240V, 3-phase
- RTSN800K3 800A - 277/480V, 3-phase
  
- RTSN600A3S 600A-120/240V 1-PHASE
- RTSN600G3S 600A-120/208V 3-PHASE
- RTSN600J3S 600A-120/240V 3-PHASE
- RTSN600K3S 600A-277/480V 3-PHASE
- RTSN600A3S 800A-120/240V 1-PHASE
- RTSN600G3S 800A-120/208V 3-PHASE
- RTSN600J3S 800A-120/240V 3-PHASE
- RTSN600K3S 800A-277/480V 3-PHASE

## 1.3 TRANSFER SWITCH DATA LABEL

A DATA LABEL is permanently affixed to the transfer switch enclosure. Use this transfer switch only with the specific limits shown on the DATA LABEL and on other decals and labels that may be affixed to the switch. This will prevent damage to equipment and property.

When requesting information or ordering parts for this equipment, make sure to include all information from the DATA LABEL.

Record the Model and Serial numbers in the space provided below for future reference.

<b>MODEL #</b>
<b>SERIAL #</b>

## 1.4 TRANSFER SWITCH ENCLOSURE

The standard switch enclosure is a National Electrical Manufacturer's Association (NEMA) and UL 3R type. UL and NEMA 3R type enclosures primarily provide a degree of protection against falling rain and sleet; undamaged by the formation of ice on the enclosure.

## 1.5 SAFE USE OF TRANSFER SWITCH

Before installing, operating or servicing this equipment, read the SAFETY RULES (inside front cover) carefully. Comply strictly with all SAFETY RULES to prevent accidents and/or damage to the equipment. The manufacturer recommends a copy of the SAFETY RULES are made and posted near the transfer switch. Also, be sure to read all instructions and information found on tags, labels and decals affixed to the equipment.

Two publications that outline the safe use of transfer switches are the following:

- NFPA 70; National Electrical Code
- UL 1008, STANDARD FOR SAFETY-AUTOMATIC TRANSFER SWITCHES

**NOTE:**

**It is essential to use the latest version of any standard to ensure correct and current information.**

## 2.1 INTRODUCTION TO INSTALLATION

This equipment has been wired and tested at the factory. Installing the switch includes the following procedures:

- Mounting the enclosure.
- Connecting utility and generator power source leads.
- Connecting the load leads.
- Connecting any auxiliary contact (if needed)
- Installing/connecting any options and accessories.
- Testing functions.

## 2.2 UNPACKING

Carefully unpack the transfer switch. Inspect closely for any damage that might have occurred during shipment. The purchaser must file with the carrier any claims for loss or damage incurred while in transit.

Check that all packing material is completely removed from the switch prior to installation.

## 2.3 MOUNTING

Mounting dimensions for the transfer switch enclosure are in this manual. See the "Mounting Dimensions" drawing.

### ⚠ CAUTION!

**Handle transfer switches carefully when installing. Do not drop the switch. Protect the switch against impact at all times, and against construction grit and metal chips. Never install a transfer switch that has been damaged.**

Install the transfer switch as close as possible to the electrical loads that are to be connected to it. The switch enclosure is suitable for wall or floor mounting. For wall mounting, remove the floor stands to gain access to the mounting points on the bottom of the enclosure. Mount the switch vertically to a rigid supporting structure. For floor mounting, place switch enclosure on a hard, level surface. Secure enclosure to the floor. To prevent switch distortion, level all mounting points. If necessary, use washers behind mounting holes to level the unit.

## 2.4 CONNECTING POWER SOURCE AND LOAD LINES

### ⚠ DANGER!

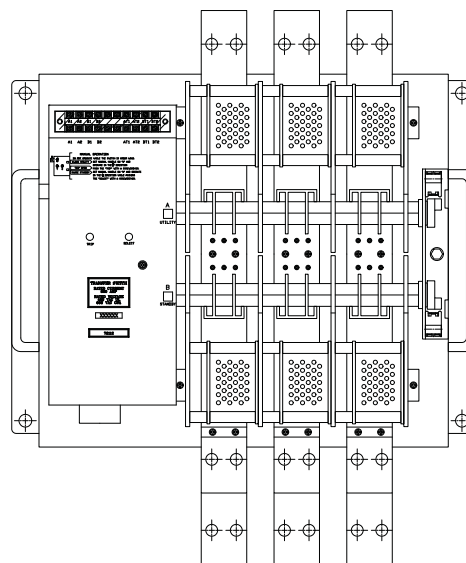
**Make sure to turn OFF both the UTILITY (Normal) and EMERGENCY (Standby generator) power supplies before trying to connect power source and load lines to the transfer switch. Supply voltages are extremely high and dangerous. Contact with such high voltage power supply lines causes extremely hazardous, possibly lethal, electrical shock.**

Wiring diagrams and electrical schematics are provided in this manual. Power source and load connections are made at the transfer mechanism, inside the switch enclosure.

## 2.4.1 3-POLE MECHANISM

These switches (Figure 2.1) are used with a three phase system, when the three phase NEUTRAL line is to be connected to a NEUTRAL lug and is not to be switched.

**Figure 2.1 — Typical 3-Pole Transfer Mechanism (800 Amp Shown)**



Solderless, screw-type terminal lugs are standard.

The conductor size range is as follows:

Switch Rating	Wire Range
600A	2 x 1/0-500 MCM per pole
800A	4 x 4/0-500 MCM per pole

Conductor sizes must be adequate to handle the maximum current to which they will be subjected; based on the 75°C column of tables, charts, etc. used to size conductors. The installation must comply fully with all applicable codes, standards and regulations.

Before connecting wiring cables to terminals, remove any surface oxides from the cable ends with a wire brush. All power cables should enter the switch next to transfer mechanism terminals. If ALUMINUM conductors are used, apply corrosion inhibitor to conductors. Tighten terminal lugs to the torque values as noted on the decal located on the inside of the door. After tightening terminal lugs, carefully wipe away any excess corrosion inhibitor.

All power cables should enter the switch next to the transfer mechanism terminals.

### ⚠ CAUTION!

**Use a torque wrench to tighten the conductors, being sure not to overtighten, or damage to the switch base could occur. If undertightened, a loose connection would result, causing excess heat which could damage the switch base.**

# Operation

Proper conductor tightening torque values are on the decal inside the enclosure door.

Connect power source load conductors to clearly marked transfer mechanism terminal lugs as follows

1. Connect UTILITY (NORMAL) power source cables to switch terminals N1, N2, (N3).
2. Connect EMERGENCY (STANDBY) source power cables to transfer switch terminals E1, E2, (E3).
3. Connect customer LOAD leads to switch terminals T1, T2, (T3).
4. Connect neutral conductors of UTILITY, EMERGENCY and customer LOAD to the neutral block.

Conductors must be properly supported, of approved insulative qualities, protected by approved conduit, and of the correct wire gauge size in accordance with applicable codes.

Be sure to maintain proper electrical clearance between live metal parts and grounded metal. Allow at least 1/2 inch through air or 1" over surface.

## 2.5 CONNECTING CONTROL WIRES

Control system interconnections consist of UTILITY 1 and 2, and leads 23 and 194. Control system interconnection leads must be run in a conduit that is separate from the AC power lead. Recommended wire gauge sizes for this wiring depends on the length of the wire, as recommended below:

MAXIMUM WIRE LENGTH	RECOMMENDED WIRE SIZE
1-115 ft (1-35m)	No. 18 AWG.
116-185 ft (36-56m)	No. 16 AWG.
186-295 ft (57-89m)	No. 14 AWG.
296-460 ft (90-140m)	No. 12 AWG.

## 2.6 AUXILIARY CONTACTS

If desired, there are Auxiliary Contacts on the transfer switch to operate customer accessories, remote advisory lights, or remote annunciator devices. A suitable power source must be connected to the COMMON (C) terminal. See Figure 2.2.

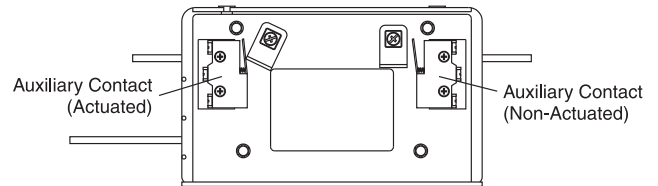
Contact operation is shown in the following chart:

	Switch Position	
	Utility	Standby
Common to Normally Open	Open	Closed
Common to Normally Closed	Closed	Open

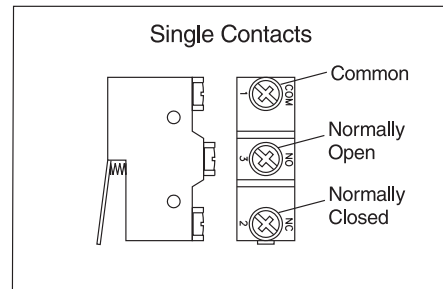
**NOTE:**

**Auxiliary Contacts are rated 10 amps at 125 or 250 volts AC. DO NOT EXCEED THE RATED VOLTAGE AND CURRENT OF THE CONTACTS.**

**Figure 2.2 – Auxiliary Contacts**



Side views shown in Utility position



## 2.7 OPTIONAL ACCESSORIES

Note any optional accessories that may be installed on the transfer switch or are to be installed in the standby electric system in conjunction with the switch. Complete the necessary connections for these accessories.

## 3.1 FUNCTIONAL TESTS AND ADJUSTMENTS

**Following transfer switch installation and interconnection, inspect the entire installation carefully. A competent, qualified electrician should inspect it. The installation should comply strictly with all applicable codes, standards, and regulations. When absolutely certain the installation is proper and correct, complete a functional test of the system.**

### ⚠ CAUTION!

**⚠ Perform functional tests in the exact order presented in this manual, or damage to the switch could be done.**

**IMPORTANT:** Before proceeding with functional tests, read and make sure you understand all instructions and information in this section. Also read the information and instructions of labels and decals affixed to the switch. Note any options or accessories that might be installed and review their operation.



## 3.2 MANUAL OPERATION

### ⚠ DANGER!

**⚠ Do NOT manually transfer under load. Disconnect transfer switch from all power sources by approved means, such as a main circuit breaker(s).**

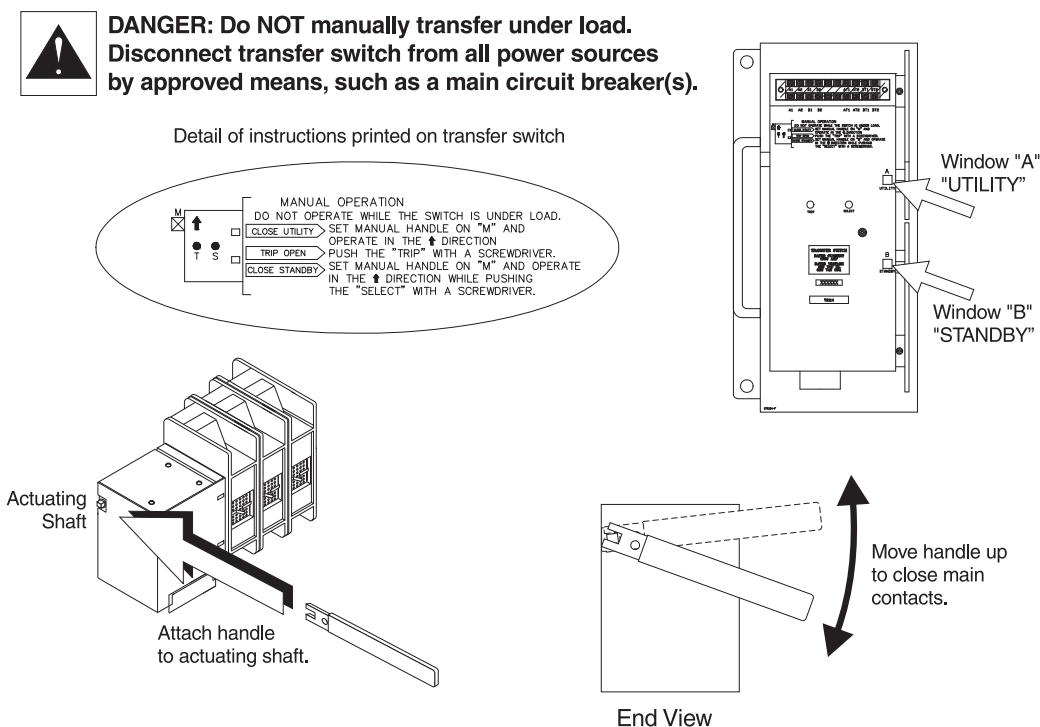
A manual HANDLE is shipped with the transfer switch. Manual operation must be checked BEFORE the transfer switch is operated electrically. To check manual operation, proceed as follows (Figure 3.1):

1. Turn the generator's AUTO-OFF-MANUAL switch to OFF.
2. Turn OFF both NORMAL and STANDBY power supplies to the transfer switch, with whatever means provided (such as the main line circuit breakers).
3. Note position of transfer mechanism main contacts by observing display windows in "A" and "B" in Figure 3.1 as follows:
  - Window "A" ON, Window "B" OFF - LOAD terminals (T1, T2, T3) are connected to NORMAL terminals (N1, N2, N3).
  - Window "A" OFF, Window "B" ON - LOAD terminals (T1, T2, T3) are connected to STANDBY terminals (E1, E2, E3).

### ⚠ CAUTION!

**⚠ Do not use excessive force when operating the transfer switch manually or the manual handle could be damaged.**

Figure 3.1 — Actuating Transfer Switch

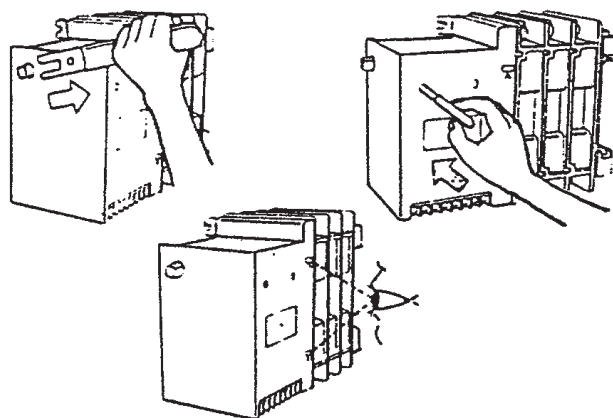


NOTE: Return handle to storage location in enclosure when finished with manual transfer.

### 3.2.1 TRIP TO NEUTRAL POSITION

Remove handle from the square lug at the upper left corner of the switch. Insert a screwdriver into the "T" hole and push inward. The main contact should trip to the neutral position and the word OFF should appear in both windows "A" and "B". See Figure 3.2.

Figure 3.2 — Trip to Neutral



Disconnect manual handle from square shaft. Insert screwdriver into Hole "T" and push in. Confirm "trip" by word "OFF" in both windows "A" and "B".

# Operation

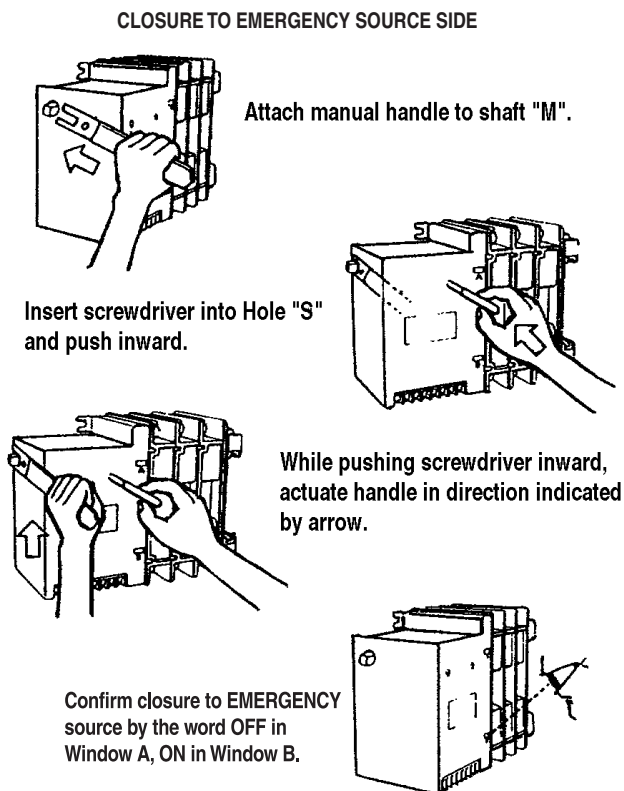
## 3.2.2 CLOSE TO EMERGENCY SOURCE SIDE

Before proceeding, verify the position of the switch by observing window "A" and window "B". If window "B" displays ON the ATS is closed in the STANDBY position, with the LOAD connected to the STANDBY source. It is not necessary to manually close in the STANDBY position. See Figure 3.3.

If window "B" reads OFF and window "A" reads ON it will be necessary to trip the ATS to the neutral position. See the TRIP TO NEUTRAL section.

With handle attached to the actuating shaft. Insert screwdriver into hole marked "S". While pushing inward on screwdriver, move manual handle upward as indicated by arrow in illustration until it stops. DO NOT FORCE. Confirm main contacts close to STANDBY source when window "B" is ON and window "A" is OFF. Remove handle from switch.

Figure 3.3 — Closure to Emergency Source Side



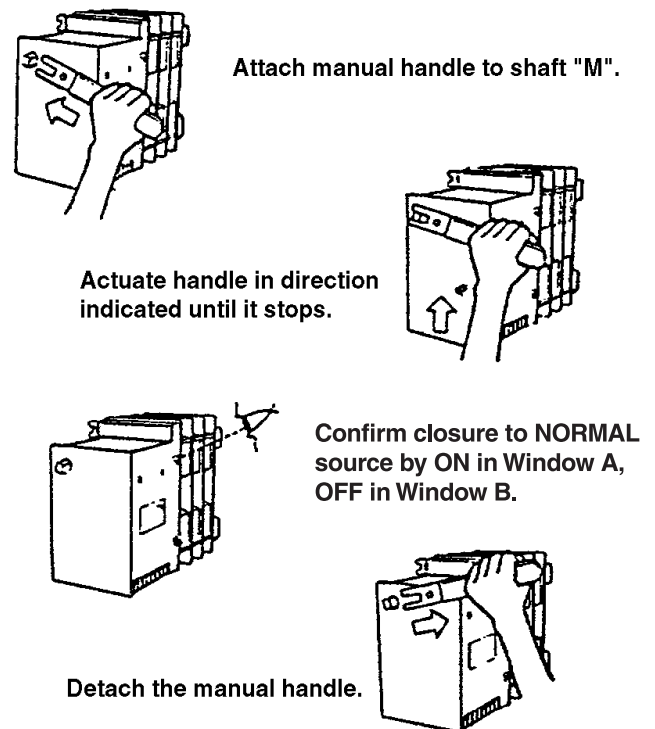
## 3.2.3 CLOSE TO NORMAL SOURCE SIDE

Before proceeding, verify the position of the switch by observing window "A" and window "B". If window "A" reads ON the ATS is closed in the UTILITY position, with the LOAD connected to the NORMAL source. It is not necessary to manually close in the UTILITY position. See Figure 3.4.

If window "A" reads OFF and window "B" reads ON it will be necessary to trip the ATS to the neutral position. See the TRIP TO NEUTRAL section.

With handle attached to the actuating shaft. Move manual handle upward as indicated by arrow in illustration until it stops. DO NOT FORCE. Confirm main contacts close to UTILITY source when window "A" is ON and window "B" is OFF. Remove handle from switch.

Figure 3.4 — Closure to Normal Source Side



## 3.3 VOLTAGE CHECKS

### 3.3.1 UTILITY VOLTAGE CHECKS

1. Turn ON the UTILITY power supply to the transfer switch with whatever means provided (such as the UTILITY main line circuit breaker).

**⚠ DANGER!**

**⚡ PROCEED WITH CAUTION. THE TRANSFER SWITCH IS NOW ELECTRICALLY HOT. CONTACT WITH LIVE TERMINALS RESULTS IN EXTREMELY HAZARDOUS AND POSSIBLY FATAL ELECTRICAL SHOCK.**

2. With an accurate AC voltmeter, check for correct voltage.

#### Single-phase utility supply:

Measure across ATS terminal lugs N1 and N2; N1 to NEUTRAL and N2 to NEUTRAL.

#### Three-phase utility supply:

Measure across ATS terminal lugs N1 to N2, N2 to N3, and N1 to N3.

Measure across ATS terminal lugs N1 to NEUTRAL, N2 to NEUTRAL, and N3 to NEUTRAL.



3. **Three-phase only.** Locate the 3 phase power monitor relay. Verify the following:  
LED Green and ON (For an explanation of all of the LED functions, see the decal on the side of the power monitor.)  
The factory setting is 80% of nominal voltage (208 Vac systems = 166 Vac dropout)
4. If the LED indicator is Red or not ON, then it will be necessary to adjust the power monitor relay setting. Rotate the adjustment potentiometer in a counter-clockwise direction until the LED turns ON. At this point the 3 phase power monitor relay is the most sensitive to irregular power line conditions.

**NOTE:**

**If the power monitor does not operate properly, check that all three voltages are present, and are of the correct voltage level and phase rotation. To change phase rotation, turn off the utility supply, interchange 2 of the utility power phases.**

**⚠ DANGER!**

**⚠ FAILURE TO TURN OFF THE UTILITY SUPPLY BEFORE WORKING ON THE UTILITY CONNECTIONS OF THE ATS WILL RESULT IN EXTREMELY DANGEROUS AND POSSIBLY FATAL ELECTRICAL SHOCK.**

5. When certain that UTILITY supply voltage is correct and compatible with transfer switch ratings, turn OFF the UTILITY supply to the transfer switch.

### 3.3.2 GENERATOR VOLTAGE CHECKS

1. On the generator panel, set the AUTO/OFF/MANUAL switch to MANUAL position. The generator should crank and start.
2. Let the generator stabilize and warm up at no-load for at least five minutes.
3. Set the generator's main circuit breaker (CB1) to its ON or CLOSED position.

**⚠ DANGER!**

**⚠ PROCEED WITH CAUTION. GENERATOR OUTPUT VOLTAGE IS NOW BEING DELIVERED TO TRANSFER SWITCH TERMINALS. CONTACT WITH LIVE TERMINALS RESULTS IN EXTREMELY DANGEROUS AND POSSIBLY FATAL ELECTRICAL SHOCK.**

4. With an accurate AC voltmeter and frequency meter, check the no-load, voltage and frequency.

**Single-phase generator supply:**

Measure across ATS terminal lugs E1 to E2; E1 to NEUTRAL and E2 to NEUTRAL.

- a. Frequency.....60-62 Hz
- b. Terminals E1 to E2.....240-246 VAC
- c. Terminals E1 to NEUTRAL.....120-123 VAC
- d. Terminals E2 to NEUTRAL.....120-123 VAC

**Three-phase generator supply:**

Measure across ATS terminal lugs E1 to E2, E2 to E3 and E1 to E3.

Measure across ATS terminal lugs E1 to NEUTRAL, E2 to NEUTRAL and E3 to NEUTRAL.

- a. Frequency.....60-62 Hz
- b. Terminals E1-E2, E2-E3, E1-E3 .....208-212VAC, 235-245VAC or 470-485VAC
- c. Terminals E1-N, E2-N, E3-N.....120-122VAC, 136-140VAC or 272-282VAC

It will also be necessary to verify that the phase rotation of the utility matches the phase rotation of the generator. This can be done by using a phase rotation indicator.

**⚠ CAUTION!**

**⚠ Failure to do so may result in damage to certain rotary equipment.**

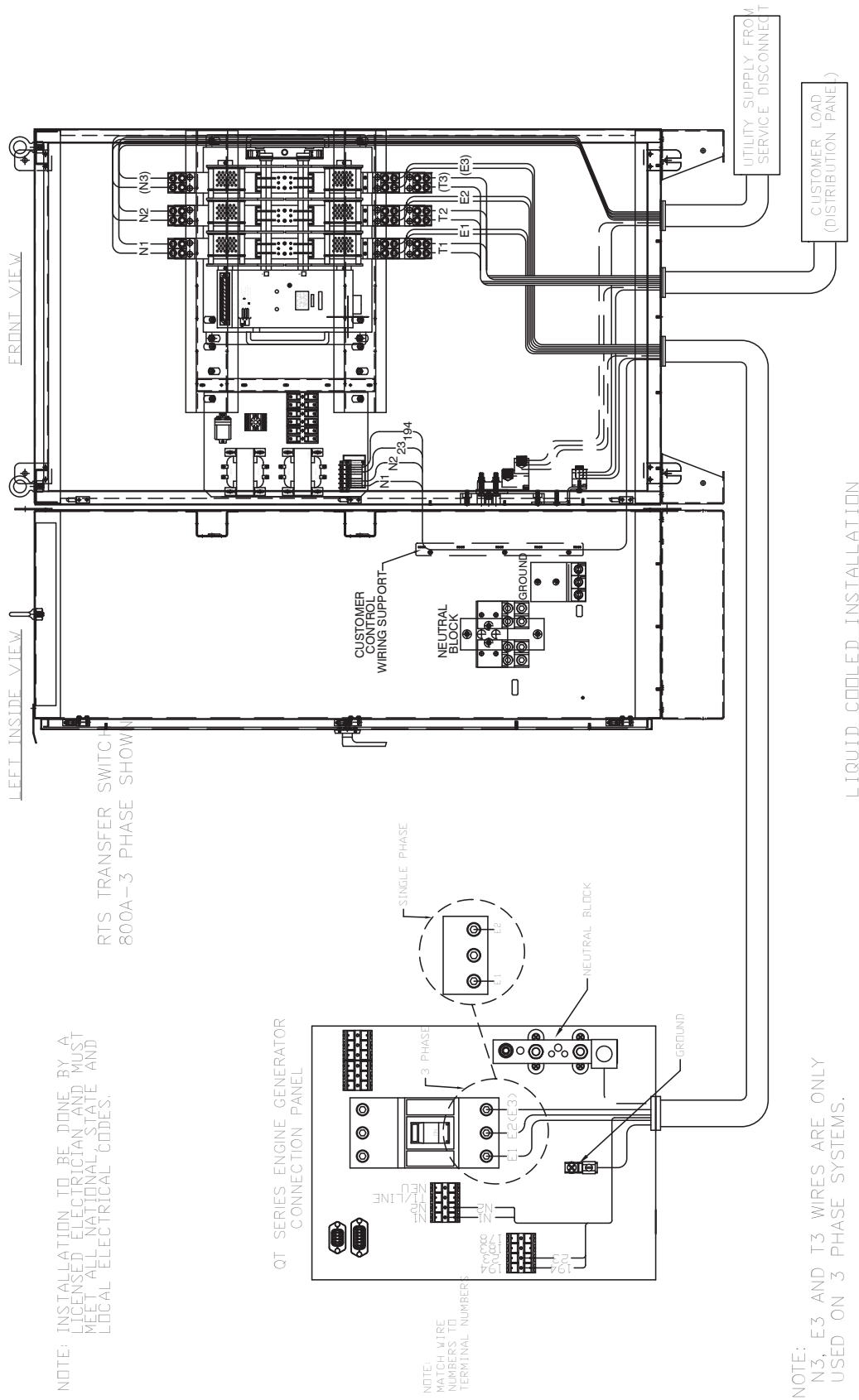
5. When certain that UTILITY supply voltage is correct and compatible with transfer switch ratings, turn OFF the UTILITY supply to the transfer switch.
6. Set the generator's main circuit breaker (CB1) to its OFF or OPEN position.
7. Set the Auto/Off/Manual switch to the OFF position to shut down the generator.

**NOTE:**

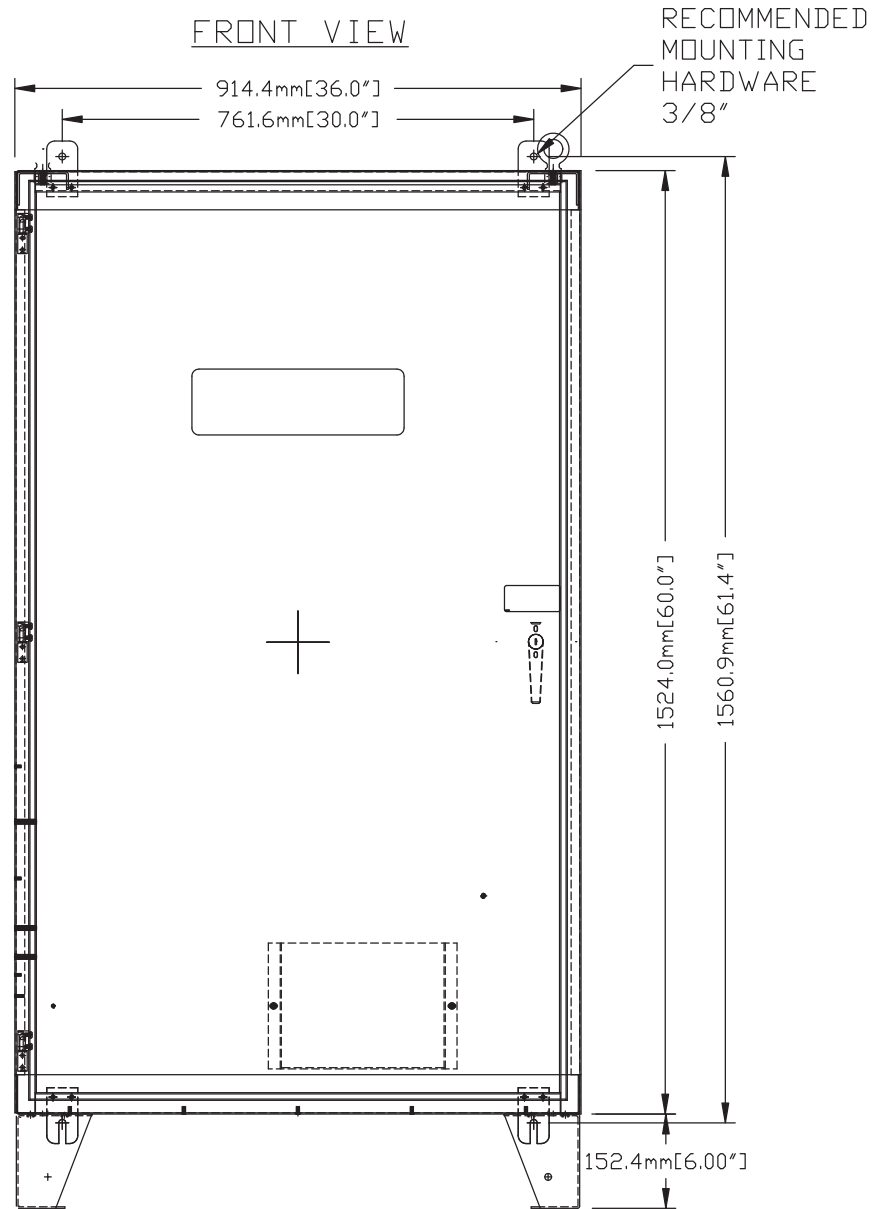
**Do NOT proceed until generator AC output voltage and frequency are correct and within stated limits. If the no-load voltage is correct but no-load frequency is incorrect, the engine governed speed probably requires adjustment. If no-load frequency is correct but voltage is not, the voltage regulator may require adjustment.**

## 3.4 GENERATOR TESTS UNDER LOAD

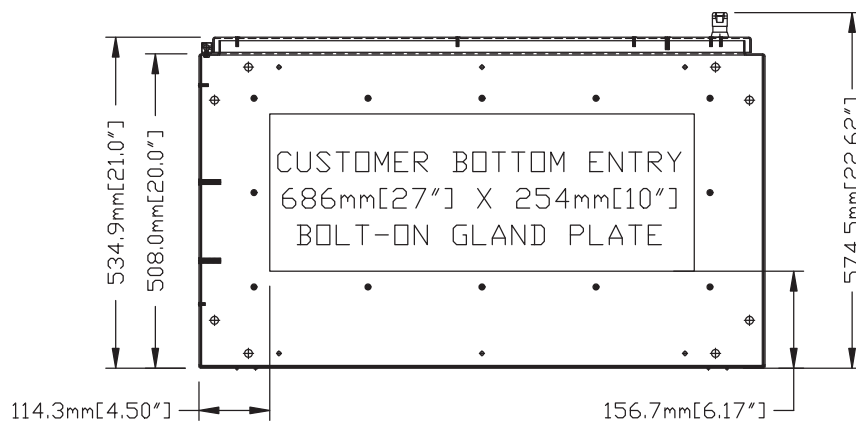
1. Set the generator's main circuit breaker to its OFF or OPEN position.
2. Manually actuate the transfer switch main contacts to their emergency (Standby) position. Refer to "Manual Operation".
3. To start the generator, set the AUTO/OFF/MANUAL switch to MANUAL. When engine starts, let it stabilize for a few minutes.
4. Turn the generator's main circuit breaker to the ON or CLOSED position. The generator now powers all LOAD circuits. Check generator operation under load as follows:
  - Turn ON electrical loads to the full rated wattage/ampere capacity of the generator. DO NOT OVERLOAD.
  - With maximum rated load applied, check voltage and frequency across transfer switch terminals E1 and E2. Voltage should be greater than 200 volts (208VAC system) or 230 volts (240VAC system); frequency should be greater than 59 Hz.
  - Let the generator run under rated load for at least 30 minutes. With unit running, listen for unusual noises, vibration, overheating, etc., that might indicate a problem.
5. When checkout under load is complete, set main circuit breaker of the generator to the OFF or OPEN position.
6. Let the generator run at no-load for several minutes. Then, shut down by setting the AUTO/OFF/MANUAL switch to its OFF position.
7. Move the transfer switch's main contacts back to the UTILITY position. For example, load connected to utility power supply. Refer to "Manual Operation". Handle and operating lever of transfer switch should be in down position.
8. Turn on the utility power supply to transfer switch, using whatever means provided (such as a utility main line circuit breaker). The utility power source now powers the loads.
9. Set the generator's AUTO/OFF/MANUAL switch to its AUTO position. The system is now set for fully automatic operation.

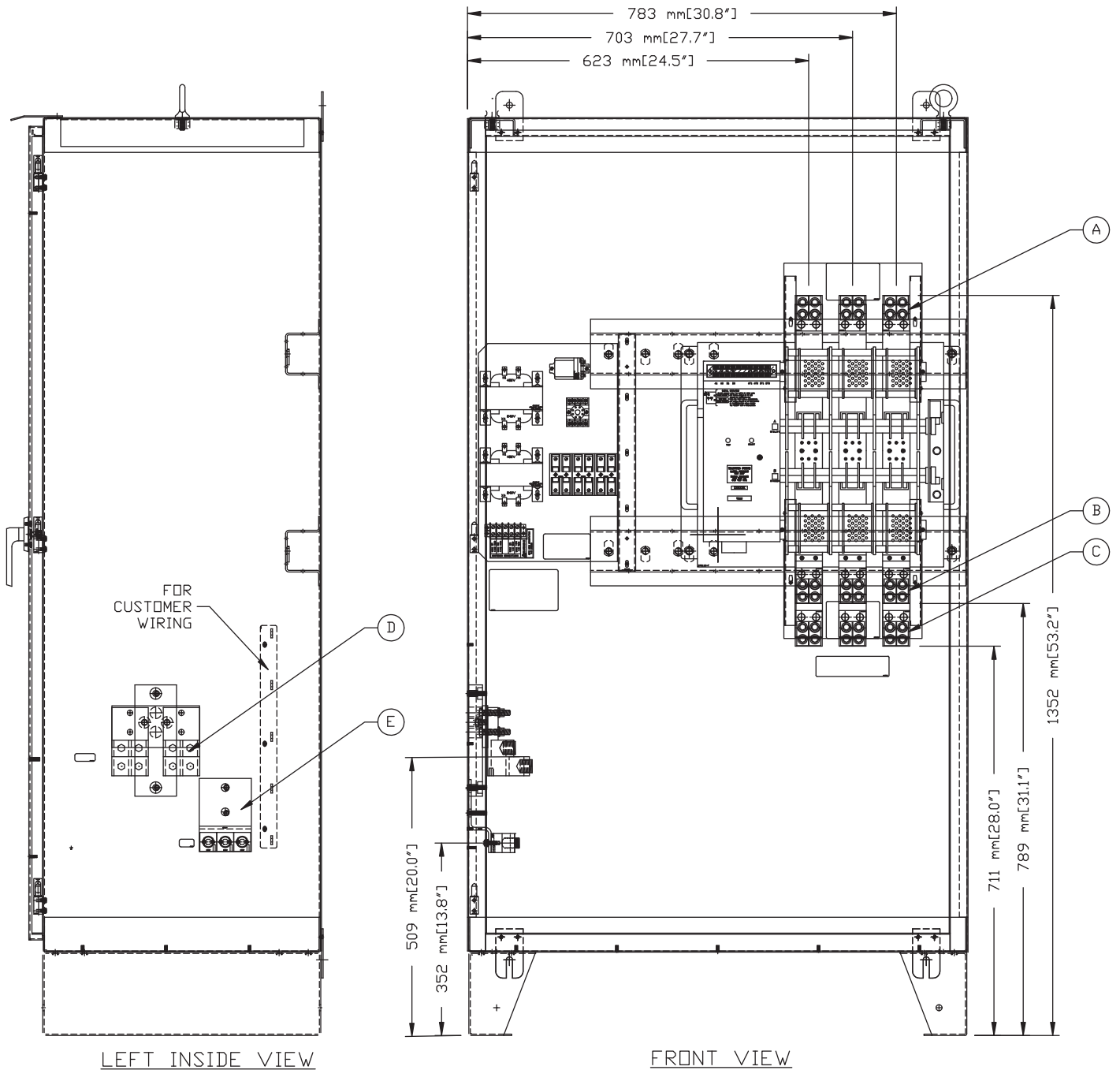


FRONT VIEW



180° SWING FROM CLOSE TO OPEN - 1396mm [55"]  
 EXTENDED DOOR DIMENSION AT 90°





- A - UTILITY UN-GROUNDED CONDUCTOR CONNECTION  
(WIRE RANGE 600A: 2x1/0-500MCM - 800-1000A: 4x4/0-500MCM PER POLE)
- B - GENERATOR UN-GROUNDED CONDUCTOR CONNECTION  
(WIRE RANGE 600A: 2x1/0-500MCM - 800-1000A: 4x4/0-500MCM PER POLE)
- C - LOAD UN-GROUNDED CONDUCTOR CONNECTION  
(WIRE RANGE 600A: 2x1/0-500MCM - 800-1000A: 4x4/0-500MCM PER POLE)
- D - NEUTRAL SUPPLY CONNECTIONS (WIRE RANGE: 8x1/0-750MCM)
- E - GROUND TERMINAL (WIRE RANGE: 3x(1) #4-600MCM OR (6) 1/0-250MCM)

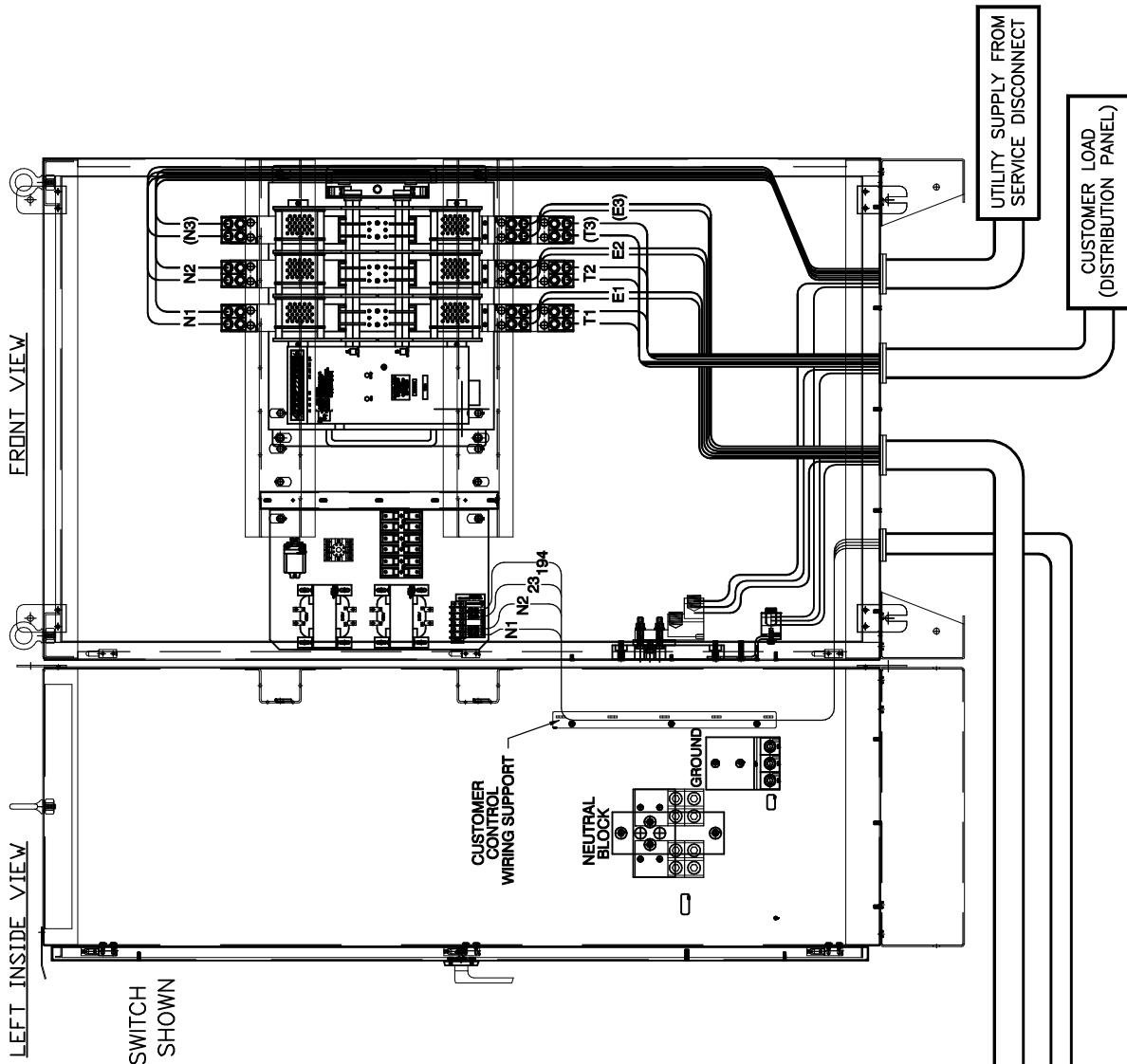








# GROUP G



RTS TRANSFER SWITCH  
800A-3 PHASE SHOWN

FRONT VIEW

LEFT INSIDE VIEW

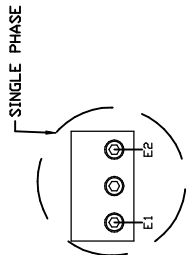
CUSTOMER CONTROL WIRING SUPPORT

NEUTRAL BLOCK

UTILITY SUPPLY FROM SERVICE DISCONNECT

CUSTOMER LOAD (DISTRIBUTION PANEL)

QT SERIES ENGINE GENERATOR CONNECTION PANEL



SINGLE PHASE

NEUTRAL BLOCK

GROUND

LIQUID COOLED INSTALLATION

NOTE:  
MATCH WIRE  
NUMBERS TO  
TERMINAL NUMBERS

NOTE:  
POWER LEADS AND TRANSFER SWITCH CONTROL LEADS  
TO BE RUN IN TWO DIFFERENT CONDUITS.

NOTE:  
N3, E3 AND T3 WIRES ARE ONLY  
USED ON 3 PHASE SYSTEMS.

EXPLODED VIEW:  
INTERCONNECTION DIAGRAM  
DRAWING #: 0J0911

**EXPLODED VIEW: RTS 600-800A**

**DRAWING #: 0J0911**

**APPLICABLE TO:**

**GROUP G**

**THIS PAGE IS LEFT INTENTIONALLY BLANK**