

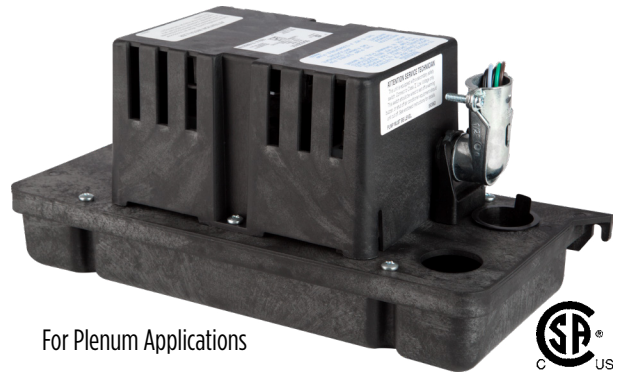
VCC-20-P SERIES

APPLICATIONS

- Designed for automatic collection and removal of condensate from air conditioning, refrigeration, and dehumidification equipment installed in air handling and plenum applications having limited space and where gravity drainage is not possible or practical.
- The VCC-20-P is constructed with plastics that have been tested by Underwriter's Laboratories' to UL Standard 2043 "Fire Test for Heat and Visible Smoke Release for Discrete Products and Their Accessories Installed in Air Handling Spaces".

FEATURES

- The pump meets the requirements of UL 2043 and is labeled "For Plenum Applications"
- 1/30 hp motor
- 1-3/4" low profile tank height ideal for tight spaces
- Vertical centrifugal pump design
- 1.2-quart (1.1 liters) capacity tank
- Automatic start and stop switch
- 3/8" O.D. barbed discharge adapter with built-in check valve (installed on the pump)
- 1-1/8" diameter inlet
- Float-activated auxiliary high-level switch
 - Two 72" high-level switch lead wires
- Thermally protected, fan-cooled motor
- Intermittent liquid temperature up to 140 °F
- Designed for hard-wire installation only
- 72" 3-conductor lead wires with conduit fitting for 1/2" diameter flexible metal conduit
- Stainless motor shaft



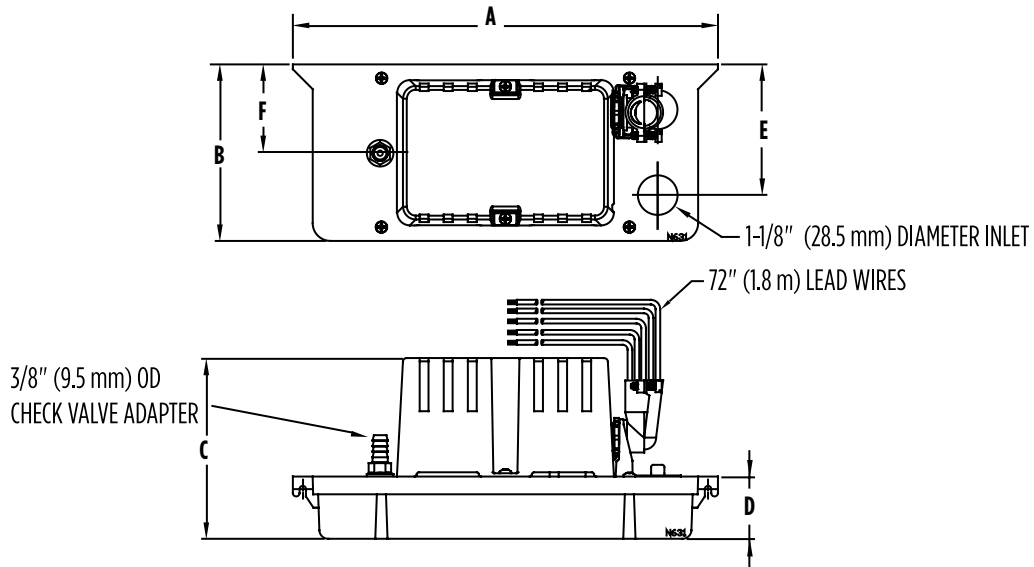
SERIES SPECIFICATIONS

| Item No. | Model | HP | Input Voltage | Hz | Amps (FLA) | Watts (kW) | Discharge Size | Performance GPH (LPH) @ Head | | | | Shut-Off Ft. | PSI | Cord | Weight (lbs) |
|-----------|----------|------|---------------|-------|------------|------------|-------------------------|------------------------------|------------|------------|-------|--------------|-----|--------------|-----------------|
| | | | | | | | | 1' | 5' | 10' | 20' | | | | |
| 554220101 | VCC-20-P | 1/30 | 115 | 60 | 1.5 | 93 | 3/8" (9.5 mm) OD Barbed | 80 (303.2) | 70 (265.3) | 45 (170.6) | 0 (0) | 20' | 8.6 | 72" (183 cm) | 4.5 lbs/2.05 kg |
| 554220102 | VCC-20-P | 1/30 | 230 | 50/60 | 0.6/0.5 | 60 | 3/8" (9.5 mm) OD Barbed | 80 (303.2) | 70 (265.3) | 45 (170.6) | 0 (0) | 17' | 7.4 | 72" (183 cm) | 4.5 lbs/2.05 kg |

Note: GPH is through check valve.

VCC-20-P SERIES

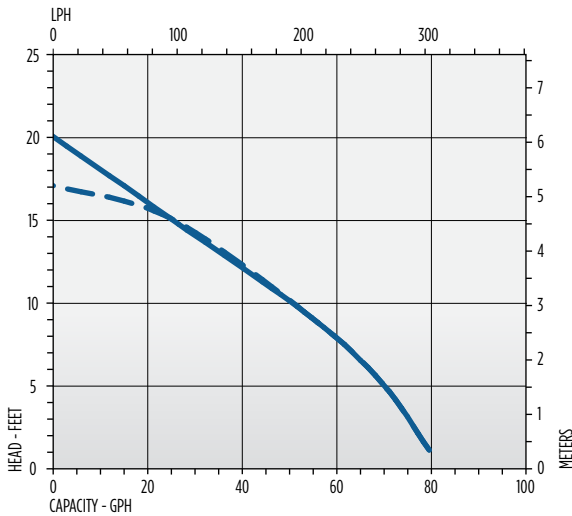
ENGINEERING DATA



| A | B | C | D | E | F |
|----------------|-------------|-------------------|-----------------|-----------------|----------------|
| 12" (304.8 mm) | 5" (127 mm) | 5.09" (129.31 mm) | 1.75" (44.6 mm) | 3.70" (93.9 mm) | 2.50" (63.5mm) |

PERFORMANCE DATA

VCC-20-P 115 V and 230 V, 60 Hz



CONSTRUCTION

| | |
|------------------------|--------------------|
| Tank | G.F. Polypropylene |
| Tank Cover | G.F. Polypropylene |
| Motor/Switch Cover | G.F. Polypropylene |
| Volute Cover | G.F. Polypropylene |
| Impeller | G.F. Polypropylene |
| Volute Cover Seal Ring | EPDM |
| Check Valve /Adapter | Acetal |
| Motor Shaft | Stainless Steel |
| Fasteners | Stainless Steel |