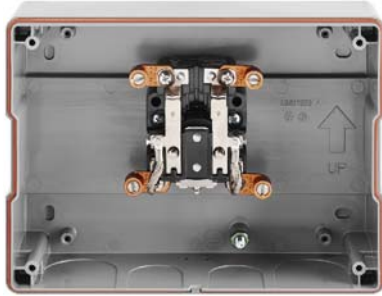


Residential/Light Commercial Generator Accessories

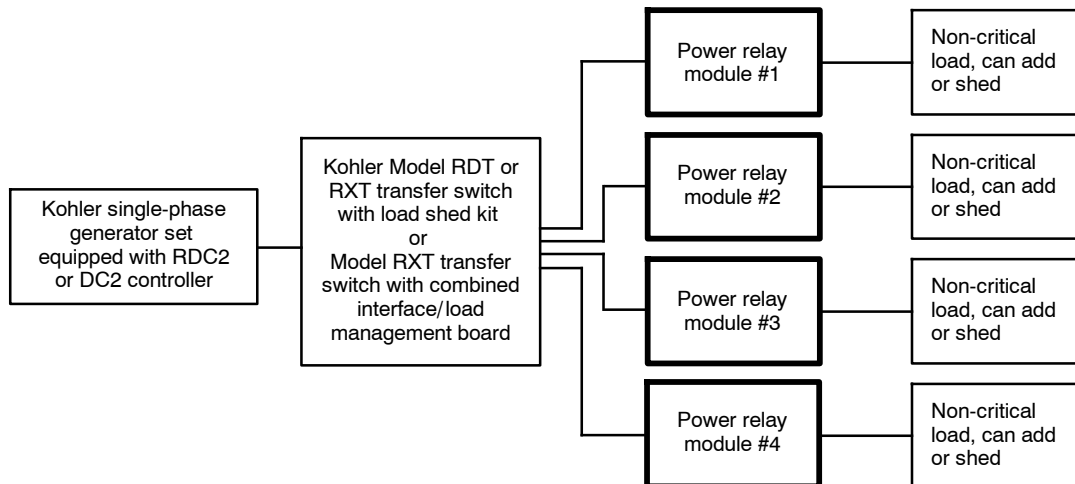
KOHLER Power Systems

Power Relay Module

ISO 9001
KOHLER
POWER SYSTEMS
NATIONALLY REGISTERED



Cover removed to show 50 amp relay, provided



Connect up to 4 power relay modules in a load management system.

Applicable Models

- Kohler® Model RDT Automatic Transfer Switch equipped with the load shed kit
- Kohler® Model RXT single-phase Automatic Transfer Switch equipped with the load shed kit or combined interface/load management board

The automatic transfer switch must be connected to a Kohler® single-phase generator set equipped with the RDC2 or DC2 controller.

Description

The Power Relay Module contains one 50 amp power relay mounted in a NEMA 3R housing. Use up to four power relay modules with the load shed kit or the Model RXT automatic transfer switch with combined interface/load management board.

- UL/cUL listed
- The module enclosure is rated NEMA 3R for installation indoors or outdoors.
- The module enclosure includes mounting holes for installation and recommended locations for conduit connections.
- Modules mount on a wall or other sturdy vertical surface.
- Normally closed relays are energized only when the load is shed, minimizing wear on the relays and ensuring that all loads are connected when primary power is available.
- Relays include factory-installed connecting lugs.

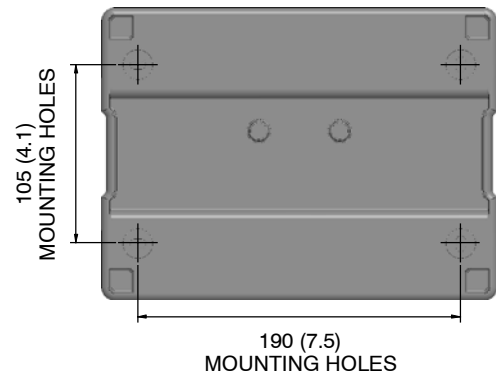
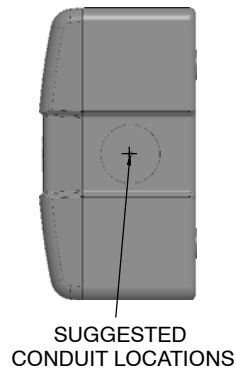
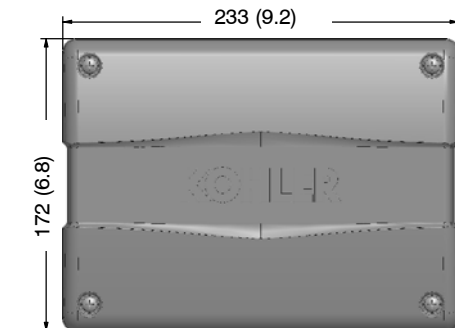
Weights and Dimensions

Weight:	1.4 kg (3 lbs.)
Dimensions:	
Height (H)	172 mm (6.8 in.)
Width (W)	233 mm (9.2 in.)
Depth (D)	92 mm (3.6 in.)

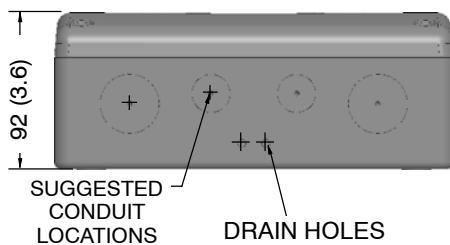
See TT-1646, Installation Instructions, for detailed dimensions.

Relay Specifications

Rating	50 A @ 240 VAC
Operating Temperature	-20 to 55°C (-4 to 131°F)
Storage Temperature	-40 to 85°C (-40 to 185°F)
Type	DPST - NC
Coil voltage	120 VAC
Coil connection	#6-32 screw 12-18 AWG (ring terminals included)
Connecting Lug Wire Size (qty. 4)	#4-14 AWG (Copper only)



DIMENSIONS ARE SHOWN IN MM (IN.)



DISTRIBUTED BY:

Availability is subject to change without notice. Kohler Co. reserves the right to change the design or specifications without notice and without any obligation or liability whatsoever. Contact your local Kohler® generator distributor for availability.

© 2015 by Kohler Co. All rights reserved.