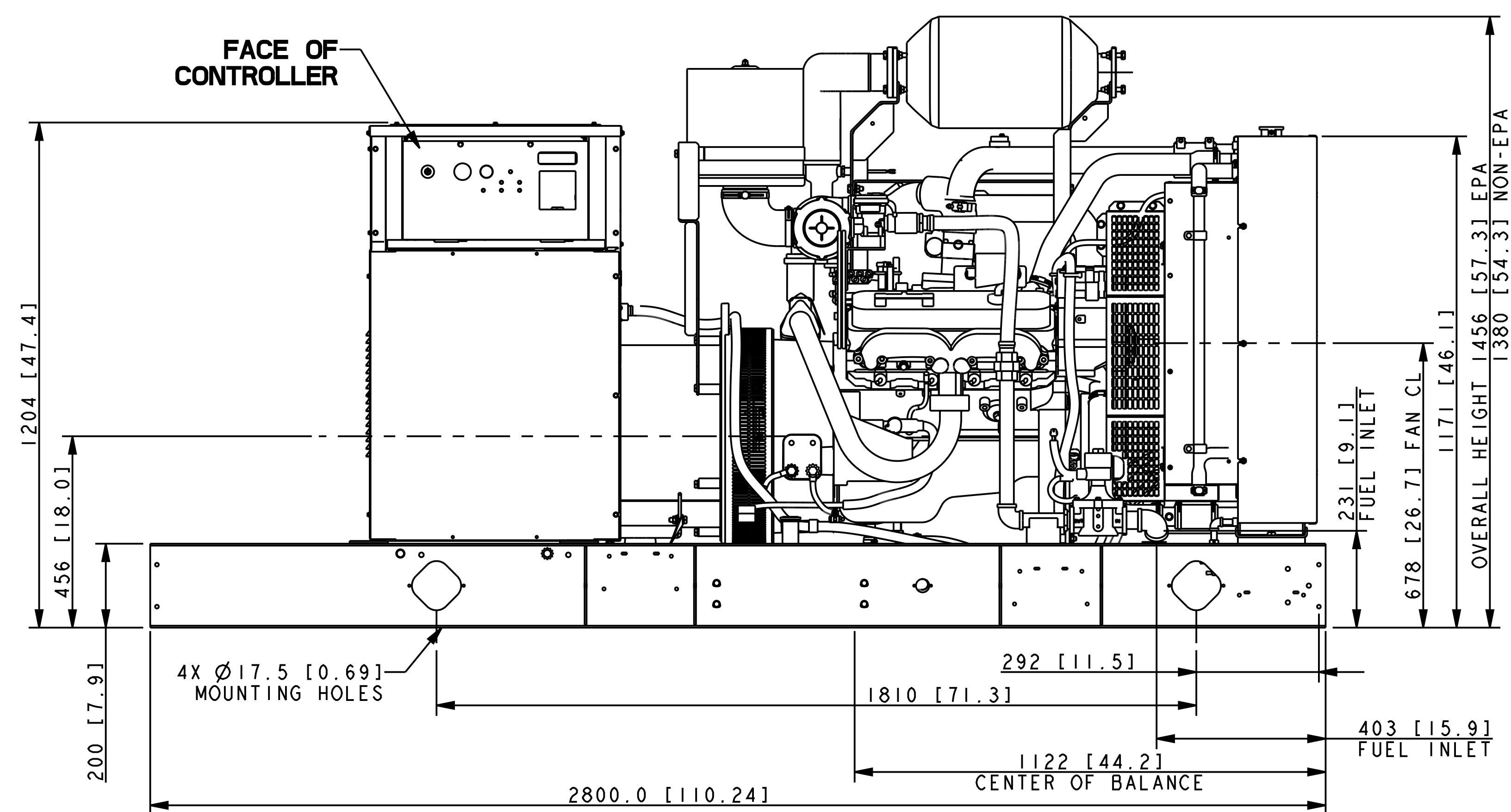
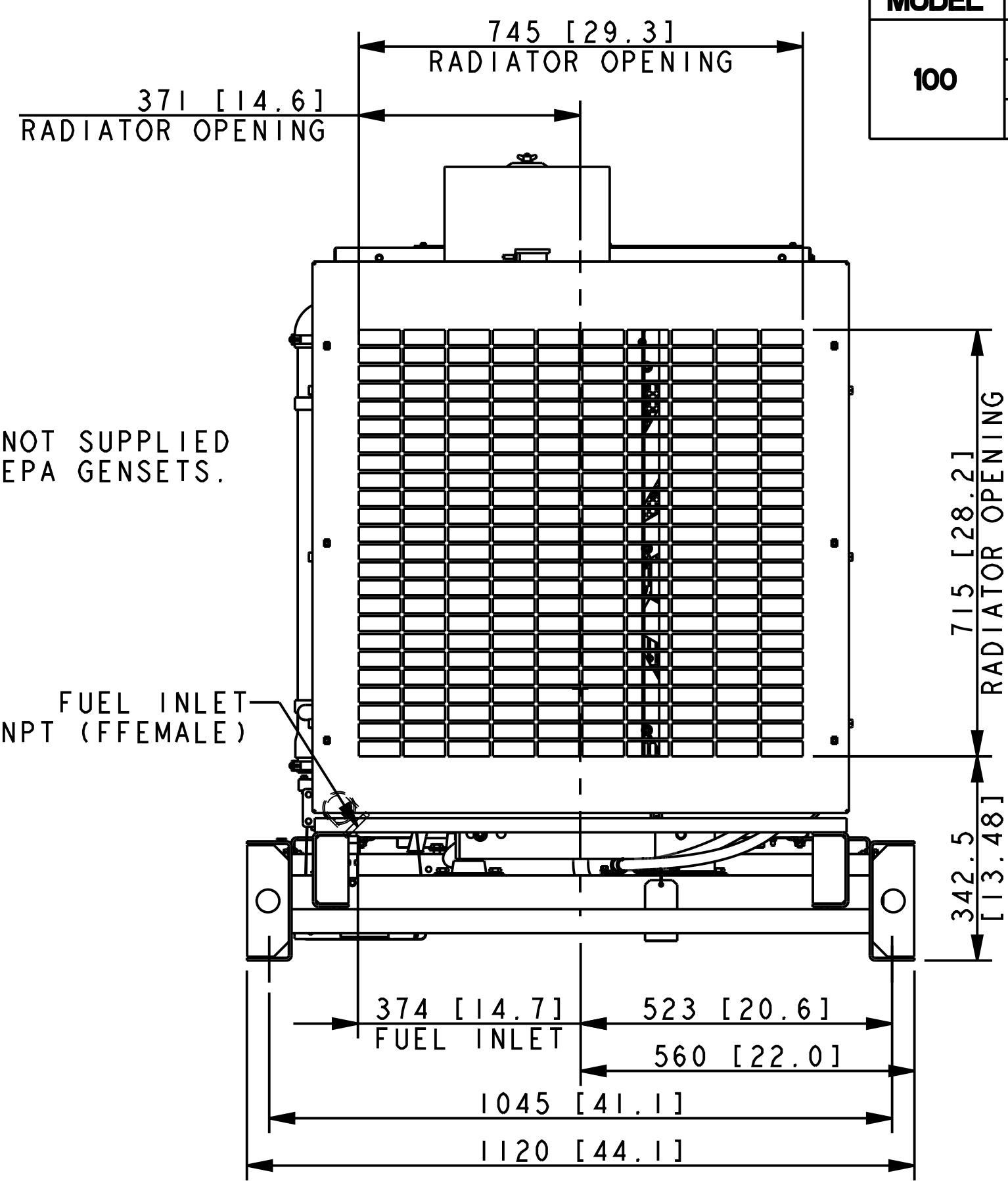


WEIGHT WET			
MODEL	ALTERNATOR	KG	LBS
100	4R9X	1300	2865
	4R12X	1386	3055
	4T13X	1403	3094



NOTE: CATALYST NOT SUPPLIED WITH NON-EPA GENSETS.



DIMENSIONS IN [ ] ARE ENGLISH STANDARD EQUIVALENTS

100 MODEL  
4R9X/4R12X/4T13X  
RECONNECTABLE  
IMPROVED MOTOR STARTING (IMS) RECONNECTABLE  
& 600V ALTERNATORS  
5.7L GM TURBO/CAC

REV	DATE	ON COMPOSITE DWGS. SEE PART NO. FOR REVISION LEVEL	BY	UNLESS OTHERWISE SPECIFIED: 1) DIMENSIONS ARE IN MILLIMETERS 2) TOLERANCES ARE:	BY	DATE	TITLE
-	3-24-11	NEW DRAWING [90651-6]	CWF	X.XX ± X.X ± X ± ANGLES ±			<b>KOHLER CO. METRIC PRO-E</b> POWER SYSTEMS, KOHLER, WI 53044 U.S.A. THIS DRAWING IN DESIGN AND DETAIL IS KOHLER CO. PROPERTY AND MUST NOT BE USED EXCEPT IN CONNECTION WITH KOHLER CO. WORK. ALL RIGHTS OF DESIGN OR INVENTION ARE RESERVED.
				SURFACE FINISH MAX.			<b>DIMENSION PRINT, 100KW GM 5.7L TURBO, 4RX</b>
				THIRD ANGLE PROJECTION			SCALE 0.40 CAD NO. SHEET 1 of 2
				APPROVALS			DWG NO. <b>ADV-8166</b>
				DRAWN CWF		3-24-11	
				CHECKED CWF		3-24-11	
				APPROVED GDF		3-24-11	

