

GOAL ZERO

YETI[®] 1400 LITHIUM

PORTABLE POWER STATION

USER GUIDE





CHARGE ME NOW

Before using or storing, plug your Goal Zero Yeti into the wall until it is fully charged. Keep your Goal Zero Yeti plugged in when not in use. For more tips and tricks on keeping your battery healthy, see the BATTERIES 101 section.

Table of Contents

Getting Started	
i. Get to Know Your Gear	2
ii. How it Works	
Charging Your Goal Zero Yeti	4
i. Charging from Solar	
ii. Charging from the Wall	
Using Your Goal Zero Yeti	6
ii. How to use	
iii. Best-Use Strategy	
iv. Cold Weather Usage	
v. LCD Display	
Storage and Downtime Maintenance	8
Technical Specifications	9
Frequently Asked Questions	10
Troubleshooting	12
Education	14
i. Batteries 101	
ii. Solar 101	
Warranty	16
Français	18
Deutsch	34
Español	50

Charging Your Goal Zero Yeti

CHARGE ME NOW: Before using or storing, plug your Goal Zero Yeti into the wall until it is fully charged. Keep your Goal Zero Yeti plugged in when not in use. For more tips and tricks on keeping your battery healthy, see the BATTERY 101 section.

When charging your Goal Zero Yeti you will notice a battery segment blinking in the display. This indicates the current charge status. Once your Goal Zero Yeti is fully charged, all battery segments will be lit and remain solid. As long as there is more power going into the Goal Zero Yeti than is being pulled from the output ports, the display will also indicate an estimated time until fully charged. This is an estimated time based on the power input and output numbers at that time; it will gradually adjust to a shorter or longer time as the average charge or discharge rates fluctuate.

Charging from Solar

IMPORTANT NOTE: When solar recharging your Goal Zero Yeti Lithium, take note of the voltages of the solar panels and do not exceed 30V. Individual solar panels, or solar panels chained in series in excess of 30V cannot be used with the Goal Zero Yeti Lithium and can cause serious damage to the unit. For help on chaining solar panels, call our Customer Solutions Center at 888-794-6250.

There are three different inputs you can use when charging your Goal Zero Yeti from solar, two of which are located in the "INPUT" area in the top left corner of the Goal Zero Yeti faceplate and a third one located inside the storage compartment under the top lid. One of the front ports and the port inside the storage compartment are round 8mm ports designed to be used with Goal Zero Solar Panels. Each input port can handle up to 160W. The Anderson Power Pole port is designed to be used with larger or higher power solar panels and can handle 360W of power, which is the total capacity for power across all input ports.

1. Place your solar panel where it will get as much direct sunlight as possible.

2. Insert the blue-ringed solar panel plug into one of the INPUT ports, either on the front of the Goal Zero Yeti or in the storage compartment under the top lid. You will know the Goal Zero Yeti is charging when the blue LED light next to the INPUT port lights up, and the battery segments in the LCD BATTERY DISPLAY are blinking. The Goal Zero Yeti is fully charged when all battery segments stop blinking and remain solid.

3. You can also connect the Goal Zero Yeti to solar panels using the Anderson Power-Pole port and the appropriate adapter, next to the charging port.

4. You can chain multiple Goal Zero Solar Panels together to reduce solar recharge times. Your Goal Zero Yeti is capable of taking in 160W of solar per input, no more than 360W combined.

5. You can charge your Goal Zero Yeti with solar panels, and a wall charger at the same time.

Charging from the Wall

Using the included AC Wall Charger, plug your Goal Zero Yeti into any wall outlet. You will know the Goal Zero Yeti is charging when the blue LED light next to the INPUT port turns on, and battery segments in the BATTERY DISPLAY are blinking. The Goal Zero Yeti is fully charged when all battery segments stop blinking and remain solid. The Goal Zero Yeti should recharge from the wall in about 25 hours.

1. The AC wall adapter comes in two pieces. Connect the two pieces by plugging the cable into the box.
2. The AC cable can be plugged into the AC adapter while it's stored inside the storage compartment with the 8mm DC barrel connector plugged into the port inside the compartment, or it can be moved out of the compartment and plugged into the front panel input port.

IMPORTANT NOTE: The Goal Zero Yeti Lithium is not compatible recharging from a 12V source, it can result in damage to the unit, cable, as well as your vehicle.

Using your Goal Zero Yeti

How to use your Goal Zero Yeti:

1. Press the power button located above each port you will be using. **When not using certain ports, make sure to turn them off to conserve power.
2. You'll know the port is turned on when the green LED light on the button is illuminated.
3. Plug in your gear for power anywhere life takes you.
4. If possible, keep your Goal Zero Yeti plugged into a power source when not in use.
5. You can charge your Goal Zero Yeti, and run your gear at the same time.

Best-Use Strategy:

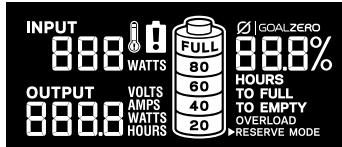
When charging gear with your Goal Zero Yeti, take note of the LCD Battery Display. If you plug in devices that have a high power requirement (a large refrigerator), the charge level of your Goal Zero Yeti can drop very quickly and you may not get exactly 1400Wh of energy. Also, especially when using the AC power output, the Goal Zero Yeti will be converting the energy from the DC power of the battery to the AC power needed by your device. Although your Goal Zero Yeti has a highly efficient inverter, there is still some energy lost in the conversion and you will not get the full rated capacity of the battery. If you're experiencing shorter runtimes, you may want to check the device's power requirements, see TROUBLESHOOTING for help.

Cold Weather Usage:

Cold temperatures (below freezing) can impact the Goal Zero Yeti's battery capacity. If you'll be out living off-grid in sub-zero conditions, we recommend keeping your Goal Zero Yeti in an insulated cooler, connected to a power source (solar panels), and charging your gear. The natural heat generated by the Goal Zero Yeti contained in an insulated cooler will keep battery capacity at its highest.

LCD Display + Buttons

You can activate the display backlight by pressing the LIGHT button. The built-in LCD display indicates four important things:



1. INPUT shows the amount of power (watts) going into the Goal Zero Yeti while charging. If charging from solar, you'll see the watts change as you reposition the panels into/out of the sunlight.

a. LO will be displayed if power flow is below a measurable amount.

2. OUTPUT shows the amount of power (watts) your devices are using while plugged into the Goal Zero Yeti.

3. TIME TO EMPTY/FULL shows the amount of time before your Goal Zero Yeti is completely charged or empty, depending on if the net amount of power going into the Goal Zero Yeti is positive or negative.

4. BATTERY LEVEL shows 5 segments, approximating 20% - 40% - 60% - 80% - 100% capacity. As you use your Goal Zero Yeti, segments will disappear from the display, indicating the remaining charge. When charging your Goal Zero Yeti you will notice a battery segment blinking. This indicates the current charge status. Once your Goal Zero Yeti is fully charged, all battery segments will be lit and remain solid. As long as there is more power going into the Goal Zero Yeti than is being pulled from the output ports, the display will also indicate an estimated time until fully charged. This is an estimated time based on the power input and output numbers at that time; it will adjust to a shorter or longer time if the charge or discharge rates fluctuate. Note that when you first plug in a power source, whether it's a solar panel or a wall charger, the Yeti may take a minute to detect and adjust its charge circuitry before it starts drawing power from the source.

Pressing the UNIT button will scroll through different output and power consumption settings.

Pressing and holding the UNIT button will reset the WATT HOUR output counter.

Pressing the INFO button will alternate the screen between showing the detailed battery state of charge percentage and the Time to Empty/Full.

Storage and Downtime Maintenance

Having your Goal Zero Yeti connected to a power source, like a solar panel or wall plug, between adventures or while in storage keeps its battery healthy and topped off. This prolongs battery life and will ensure your Goal Zero Yeti is charged and ready to go all day, every day.

If you can't keep your Goal Zero Yeti plugged into a power source during storage, fully-charge your Goal Zero Yeti every 3 months and store it in a cool, dry place.

Failure to maintain your Goal Zero Yeti by following these steps can result in battery damage which will void the product warranty.

Technical Specifications




Battery:

Cell Chemistry	Li-ion NMC
Pack Capacity	1425Wh (10.8V, 132Ah)
Single Cell Equivalent Capacity	396Ah @ 3.6V
Lifecycles	500 Cycles to 80% capacity
Shelf-life	Charge every 3-6 months
Management System	PWM charge controller, low battery protection

Ports:

USB Port (output)	5V, up to 2.4A (12W max), regulated
6mm Port (output, 6mm)	12V, up to 10A (120W max)
12V Car Port (output)	12V, up to 10A (120W max)
12V Power Pole port (output)	12V, up to 10A (120W max)
120V AC Inverter (output, pure sine wave)	120VAC 60Hz, 12.5A (1500W, 3000W surge)
230V AC Inverter (output, pure sine wave) UNIVERSAL OR AUSTRALIA (TYPE I) AC PLUGS	230VAC 50Hz, 6.5A (1500W, 3000W surge)
Charging Port (input, 8mm)	14-22V, up to 10A (120W max)
Power Pole Charging Port (input)	14-22V, up to 30A (360W max)
Expansion Module port	Covered port under the lid. To be used with Goal Zero expansion modules only.

General:

Weight	45.7 lbs (20.7 kg)
Dimensions	10.1 x 15.3 x 10.4 in (25.7 x 38.9 x 26.4 cm)
Operating Usage Temp.	32-104 F (0-40 C)
Certs	  
Warranty	12 months

Frequently Asked Questions

What type of battery is in my Goal Zero Yeti?

Your Goal Zero Yeti uses custom designed Lithium Ion. Here are some basic facts about Lithium Ion batteries:

1. Lithium Ion batteries can store and release a lot of energy in a short period of time. The batteries in your Goal Zero Yeti are in a protective enclosure with a sophisticated battery management and protection system controlling its terminals to the outside world.
2. It is critical that your battery does not get wet as moisture and water can get into the battery cells behind the protection circuitry and bypass that protection.

Can I replace the battery in my Goal Zero Yeti?

Yes, the battery inside the Goal Zero Yeti is designed to be easy to replace.

1. Turn your Goal Zero Yeti upside-down and place its top surface on towel or blanket over a hard surface.
2. Remove the 10 screws on the bottom plate.
3. Unscrew the 2 bolts that connect to the battery terminals.
4. Pull on and disconnect the data connector to the battery.
5. Remove the 8 screws holding the battery pack to the Goal Zero Yeti.
6. Lift the old battery out of the body of the Goal Zero Yeti
**This battery is HEAVY. Use caution and proper technique when lifting.
7. Insert replacement battery and reassemble in reverse order of steps above.
8. Replaceable batteries will be available from GoalZero.com. Call us at 888-794-6250 for assistance.

How do I know if my Goal Zero Yeti is charged?

To check the charge level of your Goal Zero Yeti, refer to the LCD Battery Display. When lit up, you'll see a battery outline with 5 segments, indicating the current charge level. It is OK to use your Goal Zero Yeti even when it's not fully charged.

Why is the light on the AC button blinking?

A blinking light on the AC button indicates that at the current load, the AC inverter will

be shutting off soon; you should also see RESERVE MODE blinking on the display. Recharge your Goal Zero Yeti as soon as possible to continue powering your device. Once the AC inverter has shut off, the Yeti will attempt to reset itself three times. After three attempts, the AC inverter will remain off until you physically reset it by pushing the AC button or by recharging the battery a small amount.

Why is the light on the 12V button blinking?

A blinking light on the 12V button indicates the 12V car port has been shut off to protect whatever you have plugged in; you should also see RESERVE MODE blinking on the display. Recharge your Goal Zero Yeti as soon as possible to continue powering your device.

How do I know if my device will work with the Goal Zero Yeti?

First, you'll need to determine the amount of power your device requires. This may require some research on your end, a good internet search or examining the user guide for your device should suffice.

Second, you will need to check the capacity for the individual output ports. For example, the Goal Zero Yeti's AC port is powered by an inverter that allows for 1500W of power. This means if your device is pulling more than 1500W for an extended period of time, the Goal Zero Yeti's inverter will shut off. Another number to watch for is the surge rating of your device as compared to that of the port. The Goal Zero Yeti inverter has an advanced surge management system that will maximize its compatibility with various devices, but there will still be items that will surge at a higher rate, and for a longer time, than the Goal Zero Yeti can manage, in which case the port will turn itself off.

Finally, once you know your device is compatible, you'll want to determine how long you'll be able to power your gear from the Goal Zero Yeti. Here's a quick and dirty lesson in power.

All GOAL ZERO power packs and solar generators have a number in their name, ex. Guide10 Plus Power Pack, Goal Zero Yeti 1400. These numbers refer to the Watt Hours (Wh), or the amount of energy that can be stored in each recharger, and how you'll know if your gear is compatible with each recharger. For example, a 200Wh recharger should run a 100W light for 2 hours ($200/100=2$). If your gear falls within the 1400Wh capacity of the Goal Zero Yeti, you'll want to check the restrictions on each of the output ports.

Another factor in the math is how much power is being converted going from the Goal Zero Yeti battery to the device you are powering/charging. In some situations, like when running a 12V device, such as the LAL 350, directly off the 12V port, there will be no conversion and so no additional losses. In using the USB ports to charge a phone, you add a layer of conversion (12V battery in the Goal Zero Yeti is being converted to a 5V USB output), which introduces around 10% of losses. When using the inverter, there are two layers of conversion (12V to high voltage, DC to AC). The least efficient way of using the battery in the Goal Zero Yeti is to use an AC-DC adapter off the AC ports, as is the case if you use a phone wall charger to charge your phone, as it adds yet another layer of conversion in the wall adapter.

So when you're deciding on what to power from your new GOAL ZERO recharger, do some research into your device's watt consumption. For more quick tips and learning tools, check out www.GoalZero.com/learn.html

Troubleshooting

If your devices are not recharging from your Goal Zero Yeti, follow these steps:

1. Ensure the Output Port has been turned on. The green LED light on the power button should be lit up.
 - a. If any of the lights have turned red, this indicates a trip. Push the button again to reset it. The light will turn green when it is successfully reset.
2. Check the Battery Display. If it is at 20% or below, charge your Goal Zero Yeti.
3. Check the LCD Display for warning icons:

OVERLOAD: Power draw exceeds port's maximum allowance. Indicated by red light in the port's button.

BATT SAFE MODE: Activates when battery voltage drops too low to run the cigarette lighter port effectively (>10.5V). All other ports stay active (designed to protect standard 12V devices).



Temperature warning.
Allow unit to cool.



Battery requires attention.
Contact customer support.
1-888-794-6250

4. Verify your device is suitable for use with the Goal Zero Yeti:
 - a. All of the Goal Zero Yeti output ports have their own max power capacity. Check the Goal Zero Yeti's Tech Specs to ensure your device is compatible.
5. If you are still experiencing trouble with your Goal Zero Yeti, please call our Customer Solutions Center at 1-888-794-6250 or by email at support@goalzero.com.

BATTERIES 101: GOAL ZERO utilizes the latest and greatest in battery technology to accompany you on all life's adventures. From the versatile and lightweight Lithium Ion, to the robust and powerful Lead Acid, we've compiled some helpful tips to keep your GOAL ZERO batteries working their best.

i. Batteries need exercise.

The best thing for any battery is to use it. Don't leave the battery sitting without being charged for extended periods of time. If you will be storing the Goal Zero Yeti without a charger, make sure it's fully charged before you put it away.

ii. The "Battery Memory" myth.

Thanks to old Nickel-Cadmium (NiCd) batteries, there's a myth running around that you should completely drain your batteries before plugging them in for a recharge, called "deep cycling". Although true with NiCd batteries, the typical batteries you'll find in most of your gear today, including the advanced lithium and lead-acid batteries used in your GOAL ZERO rechargers, require no such draining. In fact, you should avoid deep cycling your batteries - it does more harm than good in most cases.

iii. The "Stadium Effect".

The stadium effect occurs when recharging your batteries. You'll notice your battery quickly filling up in the beginning, then slowing down noticeably when trying to charge up the last several percentages. Think of how quickly a stadium fills up when the doors first open - there are hundreds of open seats so it's easy to find the one you want. Eventually there are only a few open seats here and there and people have to maneuver around to find the spot they want and filling those seats takes longer. The same theory applies to recharging batteries. It's easy for energy to flow in and take up empty space in the beginning, and as time goes on and there is less space available, it takes longer for the energy to fill in the holes.

iv. Read the manual.

Yeah, it might be a long read, but the manual is the best place to find the dos and don'ts for the battery in your specific device. Reading your manual will ensure you're taking steps to keep your batteries happy and healthy.

SOLAR 101: GOAL ZERO makes it easy to recharge your gear from the sun - we didn't invent solar power, we perfected it. Some things to keep in mind when recharging your gear with solar power:

i. Solar panels don't store power from the sun, they collect it.

We teach you to COLLECT - STORE - USE, which is the best way to utilize solar power to recharge your gear. COLLECT the sun's energy with a solar panel. STORE the power in a recharger. USE the recharger to power your gear, day or night. If you're really a diehard, you can plug your gear directly into the junction box located on the back of our NOMAD Solar Panels to recharge from the sun.

ii. Not all solar charge times are created equal.

Most solar panel manufacturers calculate their recharge times with the following equation: Device Watt Hours/Solar Panel Watts = Solar Recharge Times. So theoretically, a 13 watt solar panel would recharge a 50 watt-hour recharger in 3.84 hours ($50/13 = 3.84$) - and this is the number you could find in marketing material for a solar panel. However, in order to standardize results across all manufacturers, these tests are completed in laboratory settings. The truth is, on a good, sunny day, you'll receive about 50-75% of your solar panel's rated wattage, and this is how the engineers at GOAL ZERO calculate the solar recharge times you see on our packaging.

iii. Solar works, even in overcast conditions.

Solar panels utilize IR, UV, and visible rays from the sun that can penetrate through clouds. Although the efficiency of the solar panel will decrease in cloudy conditions, you'll still be collecting valuable power from the sun.

iv. Keep away from shade and windows.

Although you should seek out the shade on sunny days, your solar panels will collect more power when fully exposed to the sunlight. Windows also have a habit of decreasing efficiency. So keep those panels outside and in the bright sunlight.

v. Proper alignment works wonders.

Keeping your solar panel angled toward the sun can dramatically increase solar efficiency. Set it up and let Mother Nature do the rest.

Warranty & Contact

LIMITED WARRANTY

GOAL ZERO LLC warrants to the original consumer purchaser that this GOAL ZERO product will be free from defects in workmanship and material under normal consumer use during the applicable warranty period identified in Paragraph 2, below, subject to the exclusions set forth in Paragraph 5, below. This warranty statement sets forth GOAL ZERO's total and exclusive warranty obligation. We will not assume, nor authorize any person to assume for us, any other liability in connection with the sales of our products.

WARRANTY PERIOD

The warranty period for GOAL ZERO battery cells (whether purchased on a stand-alone basis or as part of another product) is 180 days. The warranty period for all other GOAL ZERO products and components is one (1) year. In each case, the warranty period is measured starting on the date of purchase by the original consumer purchaser. The sales receipt from the first consumer purchase, or other reasonable documentary proof, is required in order to establish the start date of the warranty period. If you completed the online GOAL ZERO Product Registration Form within 30 days after purchasing your product, that registration can also establish the start date of the warranty period (but warranty coverage is not conditioned upon such registration).

REMEDY

GOAL ZERO will repair or replace (at GOAL ZERO's option and expense) any GOAL ZERO product that fails to operate during the applicable warranty period due to a defect in workmanship or material.

LIMITED TO ORIGINAL CONSUMER BUYER

The warranty on GOAL ZERO's products is limited to the original consumer purchaser and is not transferable to any subsequent owner.

EXCLUSIONS

GOAL ZERO's warranty does not apply to (i) any product that is misused, abused, modified, damaged by accident, or used for anything other than normal consumer use as authorized in GOAL ZERO's then-current product literature, or (ii) any product purchased through an online auction house. GOAL ZERO's warranty does not apply to any battery cell or product containing a battery cell unless the battery cell is fully charged by you within seven (7) days after you purchase the product and at least once every 6 months thereafter.

HOW TO RECEIVE SERVICE

To obtain warranty service, you must contact our customer service team via telephone at (888) 794-6250, or via email at support@goalzero.com. If our customer service team determines that further assistance is required, they will give you a Return Material Authorization ("RMA") number and will provide you with prepaid return shipping label that you can use to mail back your non-functioning item(s). You must properly package the product, clearly marking the RMA number on the package and including proof of your purchase date with the product. We will process your return and send your repaired or replacement product to you at our expense for product being shipped to locations in North America. For product purchased or being shipped outside of North America, please contact the local distributor from whom you purchased the product or email support@goalzero.com to obtain further distributor information.

IMPLIED WARRANTIES

THE LIMITED WARRANTY STATED HEREIN IS IN LIEU OF ALL OTHER EXPRESS WARRANTIES. IN NO EVENT SHALL ANY IMPLIED WARRANTIES, INCLUDING BUT NOT LIMITED TO ANY WARRANTIES OF MERCHANTABILITY, FITNESS FOR A PARTICULAR PURPOSE OR NON-INFRINGEMENT, EXTEND BEYOND THE APPLICABLE WARRANTY PERIOD IDENTIFIED IN PARAGRAPH 2, ABOVE. Some states do not allow limitations on how long an implied warranty lasts, so the above limitation may not apply to you. This warranty gives you specific legal rights, and you may also have other rights which vary from state to state.

EXCLUSIVE REMEDY; LIMITATION OF LIABILITY

The foregoing provisions state GOAL ZERO's entire liability, and your exclusive remedy, for any breach of warranty, express or implied. IN NO EVENT WILL GOAL ZERO BE LIABLE FOR ANY CONSEQUENTIAL OR INCIDENTAL DAMAGES ARISING FROM ANY USE OR MALFUNCTION OF ANY GOAL ZERO PRODUCT, OR FROM ANY BREACH OF WARRANTY, INCLUDING DAMAGE TO OTHER DEVICES. IN NO EVENT WILL GOAL ZERO'S LIABILITY FOR ANY CLAIM, WHETHER IN CONTRACT, WARRANTY, TORT (INCLUDING NEGLIGENCE AND STRICT LIABILITY) OR UNDER ANY OTHER THEORY OF LIABILITY, EXCEED THE AMOUNT PAID BY YOU FOR THE GOAL ZERO PRODUCT. Some states do not allow the exclusion or limitation of incidental or consequential damages, so the above limitation or exclusion may not apply to you.



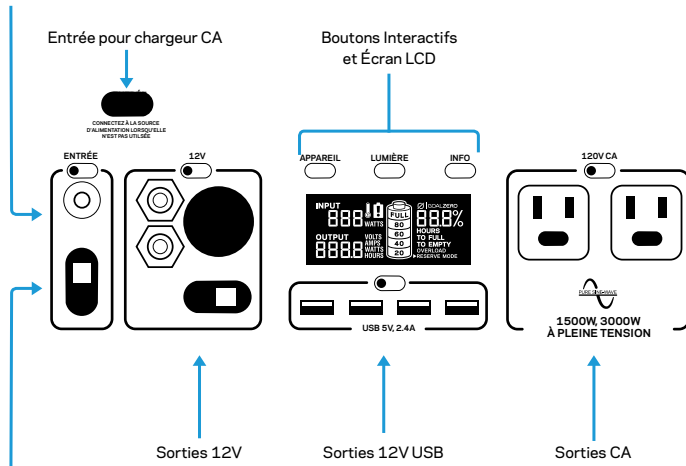
FREE EXTENDED WARRANTY

Get an ADDITIONAL YEAR of protection for your Goal Zero Yeti Lithium Portable Power Station by simply registering your product at:

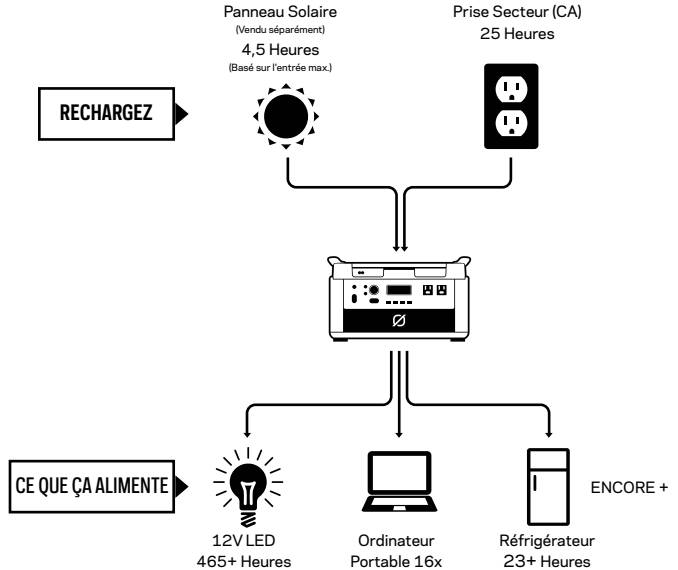
GOALZERO.com/extendedwarranty

This gives you TWO TOTAL years of worry-free product coverage. It's free and easy peace of mind for you and your new power companion.

Entrée pour charger à partir des Panneaux Solaires de Goal Zero ou de CA



Entrée pour charger à partir de panneaux solaires tiers (adaptateur requis)



Charger Votre Goal Zero Yeti

RECHARGEZ- MOI MAINTENANT : Avant de l'utiliser ou de la stocker, branchez votre Goal Zero Yeti sur une prise murale jusqu'à ce qu'elle soit complètement chargée. Gardez votre Goal Zero Yeti branchée lorsqu'elle n'est pas utilisée. Pour plus de conseils et d'astuces pour maintenir le bon fonctionnement de votre batterie, consultez la section PRINCIPES DE BASE SUR LES BATTERIES.

Lorsque vous rechargez votre Goal Zero Yeti, vous remarquerez un segment de la batterie qui clignotera à l'écran. Cela indique l'état actuel de la recharge. Une fois que votre Goal Zero Yeti est complètement rechargée, tous les segments de la batterie s'allumeront et resteront allumés. Tant qu'il y aura plus de courant entrant dans la Goal Zero Yeti que de courant tiré des ports de sortie, l'affichage indiquera également un temps estimé jusqu'à ce qu'elle soit complètement rechargée. Il s'agit d'une durée estimée basée sur le nombre d'entrées et de sorties de charges d'alimentation à ce moment-là ; Cette durée s'ajustera graduellement à un temps plus court ou plus long selon la fluctuation des taux moyens de charge ou de décharge.

Le Chargement par le biais de l'Énergie Solaire

REMARQUE IMPORTANTE : Lors de la recharge grâce à l'énergie solaire de votre Goal Zero Yeti Lithium, gardez un œil sur les tensions des panneaux solaires et à ne pas dépasser 30V. Les panneaux solaires individuels, ou panneaux solaires enchaînés en série au-dessus de 30V ne peuvent pas être utilisés avec la Goal Zero Yeti Lithium et peuvent causer des dommages sérieux à l'appareil. Pour obtenir de l'aide sur le chaînage des panneaux solaires, appelez notre Centre de Solutions pour nos Clients au 888-794-6250.

Il y a trois entrées différentes que vous pouvez employer quand vous chargez votre Goal Zero Yeti par le biais de l'énergie solaire, dont deux sont situées dans la zone des entrées marquées « INPUT » dans le coin supérieur gauche de la face avant de Goal Zero Yeti et une troisième est située à l'intérieur du compartiment de rangement sous le couvercle du haut. L'un des ports avant et le port à l'intérieur du compartiment de rangement sont des ports ronds de 8 mm conçus pour être utilisés avec les Panneaux Solaires de Goal Zero. Chaque port d'entrée peut supporter jusqu'à 160W. Le port pour les connecteurs Anderson PowerPole est conçu pour être utilisé avec des panneaux solaires plus larges ou plus grands et peut supporter jusqu'à 360W de courant, qui est la capacité totale de charge qui peut être supportée à travers tous les ports d'entrée.

1. Placez votre panneau solaire où il obtiendra le plus de lumière directe du soleil que possible.

2. Insérez la fiche du panneau solaire à anneau bleu dans l'un des ports d'ENTRÉE, soit à l'avant de la batterie Goal Zero Yeti, soit dans le compartiment de rangement sous le couvercle. Vous saurez quand la Goal Zero Yeti sera en charge lorsque le voyant bleu à côté du port INPUT (entrée) s'allumera et que les segments de la batterie dans l'affichage LCD BATTERY DISPLAY (affichage LCD de la batterie) clignoteront. La Goal Zero Yeti est complètement chargée lorsque tous les segments de la batterie cessent de clignoter et restent éclairés en continu.

3. Vous pouvez également connecter la Goal Zero Yeti aux panneaux solaires en utilisant le port Anderson PowerPole et l'adaptateur approprié, à côté du port de chargement.

4. Vous pouvez connecter plusieurs Panneaux Solaires Goal Zero ensemble pour réduire les temps de recharge solaire. Votre Goal Zero Yeti est capable de supporter jusqu'à 160W d'énergie solaire par entrée, pas plus de 360W combinés.

5. Vous pouvez charger votre Goal Zero Yeti avec des panneaux solaires, et en chargeant depuis une prise murale en même temps.

Chargement à partir d'une Prise Murale

En utilisant le chargeur inclus, branchez votre Goal Zero Yeti dans n'importe quelle prise murale. Vous saurez que la Goal Zero Yeti sera en train de se recharger lorsque le voyant bleu à côté du port INPUT (entrée) s'allumera et que les segments de la batterie dans l'indicateur BATTERY DISPLAY (affichage pour la batterie) clignoteront. La Goal Zero Yeti est complètement chargée lorsque tous les segments de la batterie cessent de clignoter et restent éclairés en continu. La Goal Zero Yeti devrait se recharger à partir d'une prise murale en environ 25 heures.

1. L'adaptateur mural CA est livré en deux pièces détachées. Connectez les deux pièces détachées en branchant le câble dans la boîte.
2. Le câble CA peut être branché dans l'adaptateur secteur lorsqu'il est stocké à l'intérieur du compartiment de stockage avec le connecteur à canaux CC de 8 mm branché dans le port à l'intérieur du compartiment ou peut être déplacé hors du compartiment et branché sur le port d'entrée du panneau avant.

REMARQUE IMPORTANTE : Le Goal Zero Yeti n'est pas compatible avec une recharge depuis une alimentation de 12V car il pourrait drainer la batterie ou endommager les fusibles de votre véhicule.

Utiliser Votre Goal Zero Yeti

Comment utiliser votre Goal Zero Yeti :

1. Appuyez sur le bouton de mise en route de l'alimentation situé au-dessus de chaque port que vous allez utiliser. **Si vous n'utilisez pas certains ports, veillez à les éteindre pour économiser l'énergie.
2. Vous saurez quand le port sera allumé lorsque le voyant vert du bouton s'allumera.
3. Branchez votre équipement pour avoir une source d'énergie n'importe où que vous alliez.
4. Si possible, gardez votre Goal Zero Yeti branchée dans une source d'alimentation lorsqu'elle n'est pas utilisée.
5. Vous pouvez recharger votre Goal Zero Yeti et vous servir de votre équipement en même temps.

Stratégie d'Utilisation Optimale :

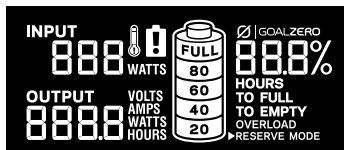
Lorsque vous rechargez votre équipement avec votre Goal Zero Yeti, gardez toujours un œil sur l'écran LCD de la batterie. Si vous branchez des appareils nécessitant une puissance élevée (un grand réfrigérateur), le niveau de charge de votre Goal Zero Yeti peut chuter très rapidement et vous ne pourrez pas obtenir exactement 1400Wh d'énergie. De plus, en particulier lorsque vous utilisez la sortie d'alimentation CA, la batterie Goal Zero Yeti convertira l'énergie du courant CC de la batterie en courant alternatif nécessaire à votre appareil. Bien que votre Goal Zero Yeti dispose d'un onduleur très efficace, il y a toujours un peu d'énergie perdue dans la conversion et vous n'obtiendrez pas la pleine capacité nominale de la batterie. Si vous rencontrez des durées d'exécution plus courtes, vous pouvez vérifier les besoins d'alimentation de l'appareil, consultez la section DÉPANNAGE pour obtenir de l'aide.

Utilisation par Temps Froid :

Des températures basses (au-dessous de zéro) peuvent avoir une incidence sur la capacité de la batterie de Goal Zero Yeti. Si vous êtes en plein au milieu de la nature dans des conditions inférieures à zéro, nous vous recommandons de garder votre Goal Zero Yeti dans un refroidisseur isolé, connecté à une source d'alimentation (panneaux solaires), et en train

Écran LCD+ Touches

Vous pouvez activer le rétroéclairage de l'écran en appuyant sur la touche LIGHT (lumière). L'écran LCD intégré indique quatre choses importantes :



de recharger votre équipement. La chaleur naturelle générée par la batterie Goal Zero Yeti contenue dans un refroidisseur isolé maintiendra la capacité de cette batterie à son maximum.

1. **INPUT** (entrée) vous indique la quantité de courant (watts) entrant dans la Goal Zero Yeti pendant le chargement. Si vous la rechargez d'une source d'énergie solaire, vous verrez les watts changer lorsque vous repositionnez les panneaux pour qu'ils capturent ou non les rayons du soleil.

a. **LO** sera affiché si le débit est inférieur à une quantité mesurable.

2. **OUTPUT** (sortie) vous indique la quantité de courant (watts) utilisée par vos appareils pendant qu'ils sont branchés sur la batterie Goal Zero Yeti.

3. **TIME TO EMPTY/FULL** (temps restant/pleine) indique le temps avant que votre Goal Zero Yeti soit totalement rechargée ou vide, selon si le montant net de courant entrant dans la Goal Zero Yeti est positif ou négatif.

4. **BATTERY LEVEL** (niveau de la batterie) vous indique 5 segments, approximativement 20% - 40% - 60% - 80% - 100% de la capacité. Lorsque vous utilisez votre Goal Zero Yeti, les segments disparaissent de l'affichage, indiquant la charge restante. Lorsque vous rechargez votre Goal Zero Yeti, vous remarquerez un segment de batterie clignotant. Cela indique l'état actuel de charge. Une fois que votre Goal Zero Yeti est complètement rechargée, tous les segments de la batterie s'allumeront et resteront allumés. Tant qu'il y aura plus de courant entrant dans la batterie Goal Zero Yeti que de courant tiré des ports de sortie, l'affichage indiquera également un temps estimé jusqu'à ce qu'elle soit complètement rechargée. Il s'agit d'une durée estimée basée sur le nombre d'entrées et de sorties d'alimentation à ce moment-là ; Cette durée s'ajustera à un temps plus court ou plus long si les taux de charge ou de décharge fluctuent. Notez que lorsque vous branchez une source d'alimentation, qu'il s'agisse d'un panneau solaire ou d'un chargeur mural, la Yeti peut prendre une minute pour détecter et ajuster ses circuits de charge avant de commencer à se charger depuis cette source.

Si vous appuyez sur la touche **UNIT** (appareil) cela fera défiler les différents paramètres de sortie et de consommation d'énergie.

En pressant et en gardant pressée la touche **UNIT** vous réinitialiserez le compteur de la sortie **WATT HOUR** (Watt par heure).

Appuyez sur la touche **INFO** pour alterner l'affichage entre l'état de la batterie et le Temps Restant jusqu'à ce qu'elle soit Vide/Pleine.

Stockage et Temps d'Arrêt pour la Maintenance

En laissant votre Goal Zero Yeti connectée à une source d'alimentation, comme un panneau solaire ou une prise murale, entre deux aventures ou pendant son stockage garde votre batterie en bon état et rechargée. Cela augmente la durée de vie de la batterie et garantit que votre Goal Zero Yeti soit rechargée et prête à l'emploi tout au long de la journée, tous les jours.

Si vous ne pouvez pas garder votre Goal Zero Yeti branchée sur une source d'alimentation pendant son stockage, rechargez complètement votre Goal Zero Yeti tous les 3 Mois et stockez-la dans un endroit frais et sec. Si vous n'entretenez pas votre Goal Zero Yeti en suivant ces étapes cela peut entraîner des dommages à la batterie qui annuleront la garantie du produit.

Spécifications Techniques

Batterie :

Type de batterie	Li-ion NMC
Capacité du Bloc	1425Wh (10,8V, 132Ah)
Capacité équivalente de la pile unique	396Ah à 3,6V
Cycles de vie	Des centaines de cycles
Durée de vie	À recharger tous les 3 à 6 mois
Système de gestion	Contrôleur de charge PWM, protection de la batterie lorsqu'elle est faible

Ports :

Port USB (sortie)	5V, jusqu'à 2,4A (12W max), régulé
Port 6 mm (sortie, 6 mm)	12V, jusqu'à 10A (120W max)
12V Port de sortie dans Voiture	12V, jusqu'à 10A (120W max)
12V port de sortie pour les Poteaux Électriques	12V, jusqu'à 10A (120W max)
Onduleur 120V AC (sortie, onde sinusoïdale)	120VAC 60Hz, 12.5A (1500W, 3000W tension max.)
Onduleur 230V AC (sortie, onde sinusoïdale) PRISES AC UNIVERSELLE OU AUSTRALIENNE (TYPE I)	230VAC 50Hz, 6.5A (1500W, 3000W tension max.)
Port de Chargement (entrée, 8mm)	14-22V, jusqu'à 10A (120W max)
Port de charge au poteau électrique (entrée)	14-22V, jusqu'à 30A (360W max)

Général :

Poids	45,7 livres (20,7 kg)
Dimensions	10,1 x 15,3 x 10,4 pouces (25,7 x 38,9 x 26,4 cm)
Température de fonctionnement à l'usage	0 à 40 °C (32 à 104 °F)
Certifications	  
Garantie	12 mois

Quel type de batterie est dans ma Goal Zero Yeti ?

Votre Goal Zero Yeti utilise une batterie Lithium-ion personnalisée. Voici quelques données factuelles fondamentales sur les batteries au lithium-ion :

1. Les batteries au lithium-ion peuvent stocker et libérer beaucoup d'énergie en peu de temps. Les batteries de votre Goal Zero Yeti sont dans un boîtier de protection avec un système sophistiqué de gestion et de protection des batteries qui contrôle ses terminaux la connectant avec l'extérieur.
2. Il est primordial que votre batterie ne soit jamais mouillée car l'humidité et l'eau peuvent entrer dans les cellules de la batterie derrière les circuits de protection et contourner cette protection.

Est-ce que je peux remplacer la batterie de ma Goal Zero Yeti ?

Oui, la batterie à l'intérieur de la Goal Zero Yeti est conçue pour être facile à remplacer.

1. Retournez votre Goal Zero Yeti et placez sa surface supérieure sur une serviette ou une nappe sur une surface dure.
2. Retirez les 10 vis se trouvant sur la plaque inférieure.
3. Dévissez les 2 boulons qui se connectent aux bornes de la batterie.
4. Retirez et débranchez le connecteur de données sur la batterie.
5. Retirez les 8 vis qui maintiennent la batterie attachée à la Goal Zero Yeti.
6. Soulevez l'ancienne batterie hors de la Goal Zero Yeti
**Cette batterie est LOURDE. Soyez prudent et suivez la technique appropriée lorsque vous la soulevez.
7. Insérez la batterie de recharge et réassemblez-la dans l'ordre inverse des étapes ci-dessus.
8. Les batteries remplaçables seront disponibles sur le site GoalZero.com. Appelez-nous au 888-794-6250 pour obtenir de l'aide.

Comment puis-je savoir si ma Goal Zero Yeti est rechargée ?

Pour vérifier le niveau de recharge de votre Goal Zero Yeti, reportez-vous à l'Écran LCD de la Batterie. Une fois allumée, vous verrez une description de la batterie avec 5 segments, indiquant le niveau de recharge actuel. C'est OK d'utiliser sa Goal Zero Yeti même quand elle n'est pas complètement chargée.

Pourquoi le voyant du bouton CA clignote-t-il ?

Un voyant clignotant sur le bouton CA indique que, à la charge actuelle, l'onduleur CA sera bientôt fermé ; Vous devriez également voir RESERVE MODE (mode de réserve) clignoter

sur l'affichage. Rechargez votre Goal Zero Yeti dès que possible pour continuer à alimenter votre appareil. Une fois que l'onduleur CA sera éteint, la Yeti tentera de se réinitialiser trois fois. Après ces trois tentatives, l'onduleur CA reste éteint jusqu'à ce que vous le réinitialisez physiquement en appuyant sur le bouton CA ou en rechargeant un peu la batterie.

Pourquoi le voyant du bouton 12V clignote-t-il ?

Un voyant clignotant sur le bouton 12V indique que le port 12V de la voiture que vous utilisez a été coupé pour protéger tout ce que vous avez branché ; Vous devriez également voir RESERVE MODE clignoter sur l'affichage. Rechargez votre Goal Zero Yeti dès que possible pour continuer à alimenter votre appareil.

Comment puis-je savoir si mon appareil fonctionne avec la Goal Zero Yeti ?

Tout d'abord, vous devrez déterminer la quantité d'énergie nécessaire à votre appareil. Cela peut nécessiter des recherches de votre côté, une bonne recherche sur Internet ou l'examen du guide d'utilisation de votre appareil devrait être suffisant.

Puis, vous devrez vérifier la capacité de chaque port de sortie individuel. Par exemple, le port CA de Goal Zero Yeti est alimenté par un onduleur qui permet de faire passer 1500W de courant. Cela signifie que si votre appareil consomme plus de 1500W pendant une période prolongée, l'inverseur de Goal Zero Yeti s'éteindra. Un autre nombre à surveiller est la tension de votre appareil par rapport à celle du port pour éviter une surtension. L'onduleur de la Goal Zero Yeti dispose d'un système avancé de gestion des surtensions qui maximisera sa compatibilité avec divers dispositifs, mais il y aura toujours des éléments dont la tension augmentera à un rythme plus élevé, et pendant une période plus longue, que la Goal Zero Yeti pourra gérer, dans ce cas, le port s'éteindra.

Finalement si le périphérique est compatible, vous devrez déterminer combien de temps vous pourrez alimenter votre équipement à partir de la Goal Zero Yeti. Voici une leçon rapide et grossière sur l'énergie.

Tous les groupes électrogènes et générateurs solaires de GOAL ZERO ont un numéro en leur nom, ex. Guide10 Plus Power Pack, Goal Zero Yeti 1400. Ces chiffres se réfèrent aux Watts par Heure (Wh), ou à la quantité d'énergie qui peut être stockée dans chaque chargeur, et comment vous saurez si votre équipement est compatible avec chaque rechargeur. Par exemple, un rechargeur de 200Wh devrait faire fonctionner une lumière de 100W pendant 2 heures (200/100 = 2). Si votre équipement est compatible avec la capacité de 1400Wh de la Goal Zero Yeti, vous devrez vérifier les restrictions sur chacun des ports de sortie.

Un autre facteur dans les calculs mathématiques est la quantité de courant qui est convertie allant de la batterie de la Goal Zero Yeti à l'appareil que vous êtes en train d'utiliser/de recharger. Dans certaines situations, comme lors de l'exécution d'un appareil 12V, tel que LAL 350, directement sur le port 12V, il n'y aura pas de conversion et donc pas de pertes supplémentaires. En utilisant les ports USB pour charger un téléphone, vous ajoutez une couche de conversion (batterie 12V de la Goal Zero Yeti est convertie en sortie USB 5V), ce qui introduit environ 10% de pertes. Lors de l'utilisation de l'onduleur, il existe deux couches de conversion (12V à haute tension, CC à CA). Le moyen le moins efficace d'utiliser la batterie de la Goal Zero Yeti est d'utiliser un adaptateur CA-CC hors des ports CA, comme c'est le cas si vous utilisez un chargeur secteur pour téléphone pour charger votre téléphone, car il ajoute encore une couche de conversion de plus dans l'adaptateur secteur.

Donc, lorsque vous décidez de ce qu'il faut pour alimenter votre nouveau chargeur GOAL ZERO, faites quelques recherches sur la consommation de watt de votre appareil. Pour obtenir des conseils et des outils d'apprentissage plus rapides, consultez www.GoalZero.com/learn.html

Dépannage

Si vos appareils ne se rechargent pas à partir de votre Goal Zero Yeti, procédez comme suit :

1. Assurez-vous que le port de sortie soit allumé. Le voyant lumineux vert du bouton d'alimentation doit être allumé.
 - a. Si l'un des voyants est rouge, cela indique un vacillement. Appuyez de nouveau sur le bouton pour le réinitialiser. Le voyant devient vert lorsqu'il est réinitialisé.
2. Vérifiez l'Écran d'Affichage pour la Batterie. S'il reste 20% ou moins d'énergie, chargez votre Goal Zero Yeti.
3. Vérifiez sur l'Écran LCD les icônes d'avertissement :

OVERLOAD : Une surcharge (OVERLOAD) indique que la consommation d'énergie dépasse l'allocation maximale du port. Cela est indiqué par le voyant rouge sur le bouton du port.

BATT SAFE MODE : Le mode quand la batterie est sécurisée s'active lorsque la tension du chargeur tombe trop bas pour faire fonctionner correctement l'allume-cigares (>10,5V). Tous les autres ports restent actifs (conçus pour protéger les appareils 12V standards).



Alerte sur la température.
Laissez refroidir l'appareil.



La batterie doit toujours être surveillée.
Contactez le service clientèle.
1-888-794-6250

4. Vérifiez que votre appareil soit compatible avec la Goal Zero Yeti :
 - a. Tous les ports de sortie de la Goal Zero Yeti ont leur propre capacité de puissance maximale. Vérifiez les caractéristiques techniques de la Goal Zero Yeti pour vous assurer que votre appareil soit compatible.
5. Si vous avez encore des problèmes avec votre Goal Zero Yeti, veuillez appeler notre Centre de Solutions pour nos Clients au 1-888-794-6250 ou contactez-nous par courriel à support@goalzero.com

PRINCIPES DE BASE SUR LES BATTERIES : GOAL ZERO utilise la toute dernière et meilleure technologie des batteries pour vous accompagner dans toutes vos plus grandes aventures.

Du Lithium-ion polyvalent et léger, à l'acide de plomb robuste et puissant, nous avons compilé quelques conseils utiles pour garder vos batteries GOAL ZERO au top de leur capacité.

i. Il ne faut jamais laisser à l'abandon les batteries.

La meilleure chose pour toute batterie est de l'utiliser. N'oubliez pas la batterie au fond d'un tiroir sans être chargée pendant une période prolongée. Si vous stockez la Goal Zero Yeti sans chargeur, assurez-vous qu'elle soit complètement rechargée avant de la ranger.

ii. Le mythe de la « Mémoire de la Batterie ».

À cause des vieilles batteries Nickel-Cadmium (NiCd), il persiste un mythe autour duquel vous devriez complètement vider vos batteries avant de les brancher pour une recharge, appelé « cycle profond ». Bien que vrai avec les batteries NiCd, les batteries typiques que vous trouverez dans la plupart de vos engins aujourd'hui, y compris les batteries avancées au lithium et au plomb utilisées dans vos chargeurs GOAL ZERO, ne nécessitent pas de tels drainages. En fait, vous devriez éviter de vider complètement vos batteries - cela leur fait plus de mal que de bien dans la plupart des cas.

iii. « L'Effet Stadium ».

L'effet stadium se produit lors de la recharge de vos batteries. Vous remarquerez que votre batterie se remplit rapidement au début, puis le remplissage ralentit sensiblement lorsque vous essayez de recharger les derniers pourcentages. Pensez à la rapidité à laquelle un stade se remplit initialement lorsque les portes s'ouvrent - il y a des centaines de sièges libres et il est donc facile de trouver celui que vous voulez. Au bout d'un moment, il reste plus que quelques sièges de libres ici et là et les gens doivent aller de tous les côtés pour trouver les sièges qu'ils veulent et remplir ces derniers sièges libres prend donc plus de temps. La même théorie s'applique à la recharge des batteries. Il est facile pour l'énergie de s'écouler et de prendre l'espace vide au début, et au fur et à mesure que le temps passe et il y a de moins en moins d'espace disponible, il faut donc plus de temps à l'énergie pour remplir les trous restants.

iv. Lisez le manuel.

Oui, ça peut prendre du temps pour le lire en entier, mais le manuel est le meilleur endroit pour trouver ce qu'il faut faire et ne pas faire pour la batterie dans votre appareil en particulier. La lecture de votre manuel vous assurera que vous prenez les bonnes mesures pour garder vos batteries en bon état et prêtes à l'emploi.

PRINCIPES DE BASE SUR L'ÉNERGIE SOLAIRE GOAL ZERO facilite la recharge de votre équipement à partir d'énergie solaire - nous n'avons pas inventé cette énergie solaire, nous l'avons simplement perfectionnée. Certaines choses à garder à l'esprit lors de la recharge de votre équipement par le biais de l'énergie solaire :

i. Les panneaux solaires ne stockent pas les rayons du soleil, ils les recueillent.

Nous vous apprenons à RECUEILLIR - STOCKER - UTILISER, ce qui s'avère être la meilleure façon d'utiliser l'énergie solaire pour recharger votre équipement. RECUEILLIR les rayons du soleil avec un panneau solaire. STOCKER leur énergie dans un chargeur. UTILISER le chargeur pour alimenter votre équipement, de jour comme de nuit. Si vous êtes vraiment un irrédutable, vous pouvez brancher votre équipement directement dans la boîte de jonction située à l'arrière de nos panneaux solaires NOMAD pour pouvoir vous recharger à partir d'énergie solaire.

ii. Pas toutes les temps de recharge solaire sont créés égaux.

La plupart des fabricants de panneaux solaires calculent leurs temps de recharge avec l'équation suivante : Watts par Heure de l'Appareil/Watts du Panneau solaire = Temps de la recharge par l'énergie solaire. Ainsi, théoriquement, un panneau solaire de 13 watts rechargerait un chargeur de 50 watts-heure en 3,84 heures (50/13 = 3,84) - et c'est le nombre que vous pourriez donc trouver dans le matériel de marketing pour un panneau solaire. Cependant, afin de standardiser les résultats pour tous les fabricants, ces tests sont effectués en laboratoire. La réalité est que, lors d'une belle journée ensoleillée, vous recevrez environ 50-75% de l'énergie nominale de votre panneau solaire, et c'est ainsi que les ingénieurs de GOAL ZERO calculent les temps de recharge par le biais de l'énergie solaire que vous voyez sur notre emballage.

iii. Les panneaux solaires marchent, même lorsque le temps est couvert.

Les panneaux solaires utilisent les RI, UV, et rayons visibles du soleil qui peuvent traverser les nuages. Bien que l'efficacité du panneau solaire diminuera dans les conditions nuageuses, vous pourrez toujours recueillir la précieuse énergie du soleil.

iv. Gardez-les à l'écart de l'ombre et des fenêtres.

Bien que vous devriez rechercher un peu d'ombre les jours très ensoleillés, vos panneaux solaires vont recueillir plus d'énergie lorsqu'ils sont entièrement exposés aux rayons du soleil. Les fenêtres ont également l'habitude de diminuer l'efficacité des panneaux. Donc garder ces panneaux à l'extérieur et bien positionnés pour recevoir les rayons du soleil.

v. Un bon alignement marche à merveille.

Garder votre panneau solaire incliné vers le soleil peut considérablement augmenter l'efficacité de la réception d'énergie solaire. Installez votre appareil, et laissez Dame Nature faire le reste.

GARANTIE LIMITÉE

GOAL ZERO LLC garantit à l'acheteur initial que ce produit de GOAL ZERO sera exempt de défauts de fabrication et dans le matériel original dans des conditions d'utilisation normale du consommateur pendant la période de garantie applicable identifiée au paragraphe 2 ci-dessous, sous réserve des exclusions énoncées au paragraphe 5 ci-dessous. Cette garantie énonce l'obligation de garantie totale et exclusive de GOAL ZERO. Nous n'assumons pas, ni n'autorisons aucune personne à assumer pour nous, toute autre responsabilité dans le cadre de la vente de nos produits.

PÉRIODE DE GARANTIE

La période de garantie des éléments de la batterie GOAL ZERO (achetés individuellement ou en tant que partie d'un autre produit) est de 180 jours. La période de garantie pour tous les autres produits et composants de GOAL ZERO est d'un (1) an. Dans tous les cas, la période de garantie est mesurée à compter de la date d'achat par l'acheteur initial. Le reçu de vente du premier achat du consommateur, ou autre document raisonnable prouvant cet achat, est nécessaire pour établir la date de commencement de la période de garantie. Si vous avez rempli le Formulaire d'Enregistrement du Produit GOAL ZERO en ligne dans les 30 jours suivant l'achat de votre produit, cet enregistrement peut également établir la date de commencement de la période de garantie (mais la garantie ne dépend pas d'un tel enregistrement).

RECOURS

GOAL ZERO réparera ou remplacera (au choix et à la charge de GOAL ZERO) tout produit GOAL ZERO qui ne fonctionnera pas pendant la période de garantie applicable en raison d'un défaut de fabrication ou de matériel.

LIMITÉE À L'ACHETEUR INITIAL

La garantie sur les produits de GOAL ZERO est limitée à l'acheteur initial et n'est pas transférable à tout propriétaire subséquent.

EXCLUSIONS

La garantie de GOAL ZERO ne s'applique pas (i) aux produits qui ont été mal utilisés, maltraités, modifiés, endommagés par accident ou utilisés à des fins autres que l'usage normal qu'aurait dû en faire le consommateur, tel qu'autorisé par la documentation actuelle de GOAL ZERO ou (ii) Acheté sur un site d'enchères en ligne. La garantie de GOAL ZERO ne s'applique à aucun élément de la batterie ou produit contenant un élément de la batterie, à moins que cet élément de la batterie ne soit entièrement chargé par vous dans les sept (7) jours suivant l'achat du produit et au moins une fois tous les 6 mois par la suite.

COMMENT OBTENIR CE SERVICE

Pour obtenir le service de garantie, vous devez contacter notre équipe de service à la clientèle par téléphone au (888) 794-6250, ou par courriel à support@goalzero.com. Si notre équipe de service à la clientèle détermine qu'une assistance supplémentaire est requise, elle vous donnera un numéro d'autorisation de retour de matériel (Return Material Authorization ou « RMA » en anglais) et vous fournira un bordereau d'expédition retour prépayé que vous pouvez utiliser pour renvoyer votre/vos article(s). Vous devez correctement emballer le produit, en marquant clairement le numéro RMA sur l'emballage et en incluant une preuve de votre date d'achat du produit. Nous traiterons votre déclaration et vous enverrons votre produit réparé ou de remplacement à nos frais pour les produits expédiés vers des emplacements en Amérique du Nord. Pour les produits achetés ou expédiés en dehors de l'Amérique du Nord, veuillez contacter le distributeur local auprès duquel vous avez acheté le produit ou envoyez un courriel à support@goalzero.com pour obtenir plus d'informations sur votre distributeur local.

GARANTIES IMPLICITES

LA GARANTIE LIMITÉE DÉCLARÉE DANS CE DOCUMENT REMPLACE TOUTE AUTRE GARANTIE EXPRIMÉE. EN AUCUN CAS, LES GARANTIES IMPLICITES, Y COMPRIS, MAIS SANS S'Y LIMITER, TOUTE GARANTIE DE QUALITÉ MARCHANDE, D'ADÉQUATION À UN USAGE PARTICULIER OU DE NON-CONTREFAÇON, NE PEUVENT S'ÉTENDRE AU-DELÀ DE LA PÉRIODE DE GARANTIE APPLICABLE DÉCRITE AU PARAGRAPHE 2 CI-DESSUS. Certains États n'autorisent pas les limitations sur la durée d'une garantie implicite, de sorte que la limitation ci-dessus peut ne pas s'appliquer à vous. Cette garantie vous donne des droits légaux spécifiques, et vous pouvez également avoir d'autres droits qui varient d'un État à l'autre.

RECOURS EXCLUSIF ; LIMITATION DE RESPONSABILITÉ

Les dispositions qui précèdent énoncent la responsabilité entière de GOAL ZERO et votre recours exclusif pour toute violation de la garantie, explicite ou implicite. EN AUCUN CAS, GOAL ZERO NE SERA TENU RESPONSABLE DE TOUT DOMMAGE INDIRECT OU ACCESSOIRE DÉCOULANT DE TOUTE UTILISATION OU DÉFAUT DE TOUT PRODUIT GOAL ZERO OU DE TOUTE VIOLATION DE GARANTIE, Y COMPRIS LES DOMMAGES À D'AUTRES DISPOSITIFS. EN AUCUN CAS LA RESPONSABILITÉ DE GOAL ZERO POUR TOUTE RÉCLAMATION, QUE CE SOIT PAR CONTRAT, GARANTIE, DÉLIT (Y COMPRIS LA NÉGLIGENCE ET LA RESPONSABILITÉ STRICTE) OU SOUS UNE AUTRE THÉORIE DE RESPONSABILITÉ, N'EXCÉDERA LE MONTANT PAYÉ PAR VOUS POUR LE PRODUIT DE GOAL ZERO. Certains États n'autorisent pas l'exclusion ou la limitation des dommages indirects ou accessoires, de sorte que la limitation ou l'exclusion ci-dessus peut ne pas s'appliquer à vous.



EXTENSION GRATUITE DE LA GARANTIE

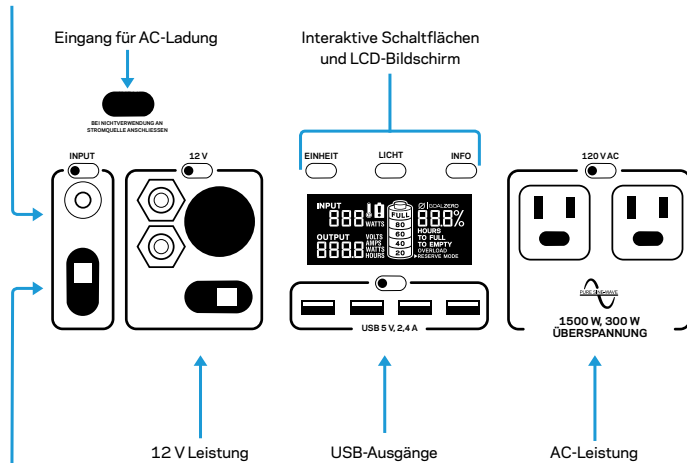
Obtenez une ANNÉE SUPPLÉMENTAIRE de protection pour votre Alimentation Portative

Goal Zero Yeti Lithium simplement en enregistrant votre produit à l'adresse suivante :

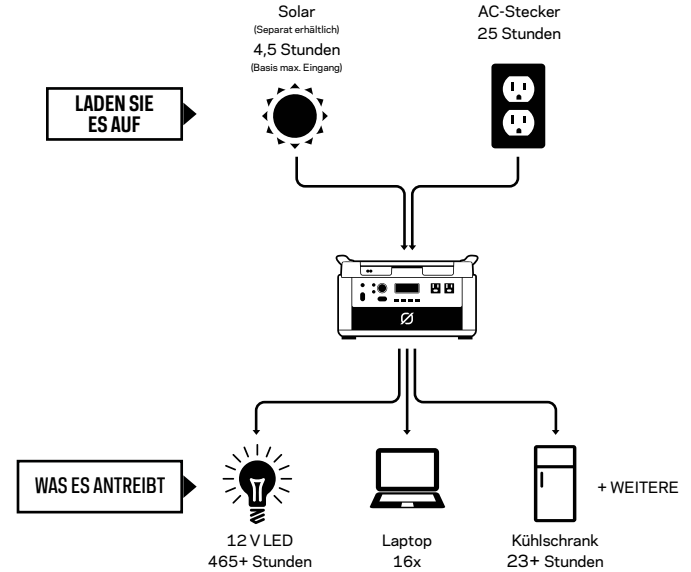
GOALZERO.com/extendedwarranty

Cela vous donne DEUX ANS EN TOUT de couverture du produit sans avoir à vous soucier de rien. C'est une tranquillité d'esprit gratuite et facile pour vous et votre nouveau compagnon d'énergie.

Eingang für Ladung durch Goal Zero Solar-Panels oder AC



Eingang für Ladung durch
Drittpartei-Solar-Panels
(Adapter notwendig)



Aufladung Ihres Goal Zero Yeti

JETZT AUFLADEN: Vor der Verwendung oder Lagerung laden Sie Ihren Goal Zero Yeti an der Wand komplett auf. Lassen Sie Ihren Goal Zero eingesteckt, wenn er nicht verwendet wird. Weitere Tipps und Tricks für die Pflege der Batterie, siehe Kapitel BATTERIEN 101.

Beim Aufladen Ihres Goal Zero Yeti werden Sie auf der Anzeige ein Batteriesegment blinken sehen. Dies zeigt den aktuellen Ladestand an. Wenn Ihr Goal Zero Yeti voll aufgeladen ist, leuchten alle Batteriesegmente auf und bleiben erleuchtet. Solange in den Goal Zero Yeti mehr Ladung fließt als über die Ausgabe-Anschlüsse entnommen wird, zeigt das Display eine geschätzte Aufladezeit an. Dies ist eine geschätzte Zeit, basierend auf der Stromaufnahme und der Ausgabe-Anzahl zu diesem Zeitpunkt; sie verkürzt oder verlängert sich allmählich, wenn sich die durchschnittliche Lade- oder Entladegeschwindigkeit ändert.

Aufladung mithilfe des Sonnenlichts

WICHTIGE ANMERKUNG: Wenn Sie den Goal Zero Yeti Lithium mit Sonnenlicht aufladen, beachten Sie die Spannung des Solar-Panels und überschreiten Sie 30 V nicht. Einzelne oder seriell verkettete Solar-Panels über 30 V können für den Goal Zero Yeti Lithium nicht verwendet werden und dem Gerät ernsthaft schaden. Hilfe bei der Verkettung von Solar-Panels finden Sie bei unserem Kunden-Center unter 888-794-6250.

Es gibt drei verschiedene Eingänge, die Sie für die Solar-Aufladung des Goal Zero Yeti verwenden können, wovon sich zwei im Bereich "INPUT" in der oberen linken Ecke der Goal Zero Yeti Blende befinden und einer im Ladefach unter dem Deckel. Einer der vorderen Anschlüsse und der Anschluss im Ladefach sind rund 8 mm groß und können für die Goal Zero Solar-Panels verwendet werden. Jeder Eingangs-Anschluss kann bis zu 160 W aufnehmen. Der Anderson Powerpole-Anschluss ist für die Verwendung für größere oder Hochleistungs-Solar-Panels ausgelegt und trägt bis zu 360 W, was der Gesamtstromkapazität aller Eingangs-Anschlüsse entspricht.

1. Platzieren Sie Ihr Solar-Panel dort, wo es soviel Sonnenlicht wie möglich aufnimmt.

2. Stecken Sie den Solar-Panel-Stecker mit dem blauen Ring in einen der INPUT-Anschlüsse, entweder auf der Vorderseite des Goal Zero Yeti oder im Ladefach unter dem oberen Deckel. Sie sehen, dass der Goal Zero Yeti auflädt, wenn das blaue LED-Licht neben dem INPUT-Anschluss aufleuchtet und die Batterie-Segmente auf dem LCD BATTERIE-DISPLAY blinken. Der Goal Zero Yeti ist voll geladen, wenn alle Batterie-Segmente aufhören zu blinken und konstant leuchten.

3. Sie können den Goal Zero Yeti auch mithilfe des Anderson Powerpole-Anschlusses und des geeigneten Adapters (neben dem Aufladeport) mit den Solar-Panels verbinden.

4. Sie können mehrer Goal Zero Solar-Panels miteinander verbinden, um die Solar-Aufladezeit zu reduzieren. Der Goal Zero Yeti trägt 160 W Solarstrom pro Eingang, aber nicht mehr als 360 W kombiniert.

5. Sie können den Goal Zero Yeti mit Solar-Panels und einem Ladegerät gleichzeitig aufladen.

Aufladung mit Ladegerät

Schließen Sie den Goal Zero Yeti mithilfe des mitgelieferten AC-Ladegeräts an jede Steckdose an. Sie sehen, dass der Goal Zero Yeti auflädt, wenn das blaue LED-Licht neben dem INPUT-Anschluss angeht und die Batterie-Segmente im BATTERIE DISPLAY blinken. Der Goal Zero Yeti ist voll geladen, wenn alle Batterie-Segmente aufhören zu blinken und konstant leuchten. Der Goal Zero Yeti sollte sich an einem Ladegerät in rund 25 Stunden aufladen.

1. Der AC-Wandadapter wird in zwei Teilen geliefert. Verbinden Sie die beiden Teile, indem Sie das Kabel in die Box stecken.

2. Das AC-Kabel kann in den AC-Adapter eingesteckt werden, wenn es im Ladefach gelagert ist, wobei der 8 mm DC-Hohlstecker im Fach im Anschluss eingesteckt ist, oder es kann aus dem Fach entnommen werden und in den Eingangsanschluss an der vorderen Blende eingesteckt werden.

WICHTIGE ANMERKUNG: Der Goal Zero Yeti ist nicht geeignet für die Aufladung an einer 12 V-Stromquelle, da er die Fahrzeugbatterie schwächen oder Ihre Fahrzeugsicherungen beschädigen könnte.

Verwendung Ihres Goal Zero Yeti

Verwendung des Goal Zero Yeti:

1. Drücken Sie die Power-Taste über jedem Anschluss, den Sie verwenden. **Wenn Sie bestimmte Anschlüsse nicht verwenden, stellen Sie sicher, dass sie abgeschaltet sind, um Strom zu sparen.
2. Sie sehen, dass der Anschluss eingeschaltet ist, wenn das grüne LED-Licht auf der Taste erleuchtet ist.
3. Stecken Sie Ihr Gerät ein, wo auch immer Sie gerade sind.
4. Wenn möglich, bewahren Sie den Goal Zero Yeti an einer Stromquelle hängend auf, wenn Sie ihn nicht verwenden.
5. Sie können den Goal Zero Yeti aufladen und gleichzeitig Ihr Gerät betreiben.

Die beste Verwendungsstrategie:

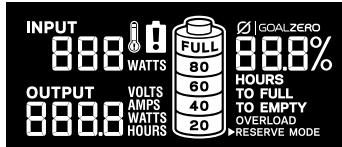
Achten Sie bei der Aufladung Ihres Geräts mit dem Goal Zero Yeti auf das LCD-Batteriedisplay. Wenn Sie Geräte einstecken, die viel Strom benötigen (einen großen Kühlschrank), kann das Ladeniveau des Goal Zero Yeti sehr schnell sinken und Sie erreichen evtl. nicht exakt einen Pegel von 1400 Wh Energie. Insbesondere wenn Sie den AC-Stromausgang verwenden, wird der Goal Zero Yeti außerdem die Energie aus dem DC-Strom der Batterie in den AC-Strom umwandeln, den Ihr Gerät benötigt. Obwohl der Goal Zero Yeti einen höchst effizienten Wechselrichter besitzt, geht bei der Umwandlung dennoch etwas Energie verloren und Sie erreichen so nicht die volle Batteriekapazität. Wenn Sie kürzere Laufzeiten beobachten, können Sie den Strombedarf des Geräts überprüfen, siehe FEHLERBEHEBUNG.

Verwendung bei kaltem Wetter:

Niedrige Temperaturen (unter Null) können die Batteriekapazität des Goal Zero Yeti beeinträchtigen. Wenn Sie sich im Freien, ohne Anbindung an das Stromnetz und unter dem Gefrierpunkt aufhalten, empfehlen wir die Aufbewahrung des Goal Zero Yeti in einer

LCD-Display + Schaltflächen

Sie können die Display-Hintergrundbeleuchtung durch Drücken der LICHT-Schaltfläche aktivieren. Das eingebaute LCD-Display zeigt vier wichtige Dinge an:



isolierten Kühlbox, an eine Stromquelle (Solar-Panels) angeschlossen, um Ihr Gerät aufzuladen. Die Eigenwärme, die der Goal Zero Yeti erzeugt und die dann in einer isolierten Kühlbox eingeschlossen ist, hält die Batteriekapazität auf dem höchsten Stand.

1. **INPUT** zeigt die Leistung (Watt-Werte) an, die während des Ladens in den Goal Zero Yeti fließt. Wenn Sie aus einer Solarquelle aufladen, sehen Sie, wie sich die Watt-Werte ändern, wenn Sie die Panels im / außerhalb des Sonnenlichts neu platzieren.

a. **LO** wird angezeigt, wenn der Leistungsfluss unterhalb einer messbaren Menge liegt.

2. **OUTPUT** zeigt die Leistung (Watt-Werte) Ihrer verwendeten Geräte an, während sie im Goal Zero Yeti eingesteckt sind.

3. **ZEIT BIS ZUR ENTLERUNG/VOLLEN LADUNG** zeigt die Zeit an, bis der Goal Zero Yeti komplett auf- oder entladen ist, je nachdem, ob die Nettoleistung, die in den Goal Zero Yeti fließt, positiv oder negativ ist.

4. **BATTERIESTAND** zeigt 5 Segmente an, die ungefähr einer Kapazität von 20% - 40% - 60% - 80% - 100% entsprechen. Bei der Verwendung des Goal Zero Yeti verschwinden Segmente vom Display, was anzeigt, dass die verbleibenden aufladen. Beim Aufladen Ihres Goal Zero Yeti werden Sie ein Batteriesegment blinken sehen. Dies zeigt den aktuellen Ladestand an. Wenn Ihr Goal Zero Yeti voll aufgeladen ist, leuchten alle Batteriesegmente auf und bleiben erleuchtet. Solange in den Goal Zero Yeti mehr Ladung fließt als über die Ausgabe-Anschlüsse entnommen wird, zeigt das Display eine geschätzte Aufladzeit an. Dies ist eine geschätzte Zeit, basierend auf der Leistungsaufnahme und der Output-Anzahl zu dem Zeitpunkt; sie verkürzt oder verlängert sich, wenn sich die Auf- oder Entladegeschwindigkeit ändert. Achtung, wenn Sie erstmalig eine Stromquelle anschließen, ob Solar-Panel oder Ladegerät, kann es eine Minute dauern, bis der Yeti deren Ladeschaltung entdeckt und anpasst, bevor er anfängt, Strom aus der Quelle zu ziehen.

Durch Drücken der UNIT Taste scrollen Sie durch verschiedene Ausgabe- und Stromverbrauch-Einstellungen.

Durch Drücken und Halten der UNIT Taste setzen Sie den WATT-STUNDEN-Ausgabezähler zurück.



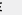
Durch Drücken der INFO Taste wechseln Sie die Anzeige zwischen detailliertem Batterieladestand in Prozent und der Zeit bis zur Entladung / vollen Ladung.

Lagerung und Wartung Während Nichtverwendung

Wenn der Goal Zero Yeti an eine Stromquelle, wie Solar-Panel oder Ladegerät, angeschlossen bleibt, während Sie abwesend sind oder wenn er gelagert wird, schont dies die Batterie und hält sie leistungsfähig. Dies verlängert die Batterielebensdauer und garantiert, dass der Goal Zero Yeti immer und an jedem Tag aufgeladen und bereit ist.

Wenn Sie den Goal Zero Yeti während der Lagerung nicht an eine Stromquelle angeschlossen lassen können, laden Sie den Goal Zero Yeti alle 3 Monate auf und lagern Sie ihn an einem kühlen, trockenen Ort. Wenn Sie den Goal Zero Yeti nicht gemäß dieser Maßnahmen warten, kann dies der Batterie schaden, was die Produktgarantie ungültig macht.

Technische Spezifikationen

Akku:	
Zellchemie	Li-Ion NMC
Packkapazität	1425 Wh (10,8 V, 132 Ah)
Entsprechende Einzelzellenkapazität	396 Ah @ 3,6 V
Lebenszyklen	Hunderte von Zyklen
Halbbarkeit	Alle 3-6 Monate aufladen
Managementsystem	PWM Laderegler, Schutz bei schwacher Batterie
ANSCHLÜSSE:	
USB-Anschluss (Ausgang)	5 V, bis zu 2,4 A (12 W max.), reguliert
6 mm Anschluss (Ausgang, 6 mm):	12 V, bis zu 10 A (120 W max.)
12 V Auto-Anschluss (Ausgang)	12 V, bis zu 10 A (120 W max.)
12 V Strommast-Anschluss (Ausgang)	12 V, bis zu 10 A (120 W max.)
120 V AC-Wechselrichter (Ausgang, reine Sinuskurve)	120 VAC, 60 Hz, 12,5 A (1500 W, 3000 W Überspannung)
230 V AC-Wechselrichter (Ausgang, reine Sinuskurve) UNIVERSAL ODER AUSTRALIA (TYP II) AC-STECKER	230 VAC, 50 Hz, 6,5 A (1500 W, 3000 W Überspannung)
Auflade-Ausgang (Eingang, 8 mm)	14 - 22 V, bis zu 10 A (120 W max.)
Strommast-Ladeanschluss (Eingang)	14 - 22 V, bis zu 30 A (360 W max.)
Allgemein:	
Gewicht	20,7 kg
Abmessungen	25,7 x 38,9 x 26,4 cm
Betriebstemperatur	32-104 °F (0-40 °C)
Zertifikate	  
Garantie	12 Monate

Häufig gestellte Fragen

Welche Art von Batterie ist in meinem Goal Zero Yeti?

Ihr Goal Zero Yeti nutzt einen speziellen Lithium-Ionen-Akku. Nachfolgend einige grundlegende Fakten über Lithium-Ionen-Batterien:

1. Lithium-Ionen-Batterien können viel Energie in kurzer Zeit speichern und freisetzen. Die Batterien in Ihrem Goal Zero Yeti befinden sich einem geschützten Gehäuse mit aufwändigem Batteriemangement- und -schutzsystem, das die
2. Es ist wichtig, dass Ihre Batterie nicht nass wird, denn Feuchtigkeit und Wasser können in die Batteriezellen hinter die Schutzbeschaltung gelangen und diesen Schutz umgehen.

Kann ich die Battery in meinem Goal Zero Yeti wechseln?

Ja, die Batterie im Goal Zero Yeti ist so konzipiert, dass sie leicht gewechselt werden kann.

1. Drehen Sie den Goal Zero Yeti um und platzieren Sie die Oberseite auf einem Handtuch oder einer Decke auf einer harten Fläche.
2. Entfernen Sie die 10 Schrauben von der Unterplatte.
3. Lösen Sie die 2 Schrauben, die die Batterieklemmen befestigen.
4. Ziehen Sie den Datenstecker von der Batterie ab.
5. Entfernen Sie die 8 Schrauben, die den Akku am Goal Zero Yeti befestigen.
6. Entnehmen Sie die alte Batterie aus dem Gehäuse des Goal Zero Yeti
**Diese Batterie ist SCHWER. Heben Sie die Batterie vorsichtig und in geeigneter Weise an.
7. Setzen Sie die Ersatzbatterie ein und montieren Sie alles wieder in umgekehrter Reihenfolge.
8. Austauschbatterien sind auf GoadZero.com erhältlich. Rufen Sie uns unter 888-794-6250 an, wenn Sie Hilfe brauchen.

Wie weiß ich, ob mein Goal Zero Yeti geladen ist?

Den Ladestand Ihres Goal Zero Yeti sehen Sie auf dem LCD-Batterie-Display. Wenn es erleuchtet ist, sehen Sie ein Batteriezeichen mit 5 Segmenten, was den aktuellen Ladestand anzeigt. Es ist ok, den Goal Zero Yeti zu verwenden, auch wenn er nicht voll aufgeladen ist.

Weshwegen blinkt das Licht auf der AC-Taste?

Ein blinkendes Licht auf der AC-Taste zeigt an, dass sich bei jetzigem Ladestand der AC-Wechselrichter bald abschaltet; Sie sollten außerdem den RESERVE-MODUS auf dem

Display blinken sehen. Laden Sie den Goal Zero Yeti so schnell wie möglich auf, um mit der Aufladung Ihres Geräts fortzufahren. Wenn sich der AC-Wechselrichter abgeschaltet hat, versucht der Yeti drei Mal ein Reset. Nach drei Versuchen bleibt der AC-Wechselrichter abgeschaltet, bis Sie ihn manuell zurücksetzen, indem Sie die AC-Taste drücken oder die Batterie wieder etwas aufladen.

Weshalb blinkt das Licht an der 12V-Taste?

Ein blinkendes Licht an der 12V-Taste zeigt, dass sich der 12 V Autoanschluss abgeschaltet hat, um das eingesteckte Gerät zu schützen; Sie sollten außerdem den RESERVE-MODUS auf dem Display blinken sehen. Laden Sie Ihren Goal Zero Yeti so schnell wie möglich wieder auf, um mit der Aufladung Ihres Geräts fortzufahren.

Wie weiß ich, ob mein Gerät für den Goal Zero Yeti geeignet ist?

Zunächst müssen Sie die Energiemenge bestimmen, die Ihr Gerät benötigt. Dazu müssen Sie einige Nachforschungen anstellen; eine detaillierte Internet-Suche oder das Lesen der Bedienungsanleitung Ihres Geräts sollten genügen.

Zweitens müssen Sie die Kapazität der einzelnen Ausgangsanschlüsse überprüfen. Der AC-Anschluss des Goal Zero Yeti wird beispielsweise mit einem Wechselrichter betrieben, der eine Strommenge von 1500 W verträgt. Das heißt, wenn Ihr Gerät längere Zeit mehr als 1500 W abzieht, schaltet sich der Wechselrichter des Goal Zero Yeti ab. Eine weitere Zahl, auf die man achten sollte, ist die Spitzenleistung Ihres Geräts im Vergleich zu der des Anschlusses. Der Goal Zero Yeti Wechselrichter verfügt über ein modernes Überspannungssystem, das die Kompatibilität mit verschiedenen Geräten maximiert, aber es wird immer Objekte geben, die schneller und länger aufladen als es der Goal Zero Yeti leisten kann, und in diesen Fällen schaltet sich der Anschluss ab.

Wenn Sie schließlich wissen, dass Ihr Gerät kompatibel ist, möchten Sie sicher erfahren, wie lange Sie Ihr Gerät am Goal Zero Yeti aufladen können. Nachfolgend ein kurzer und knapper Kurs zum Thema Strom.

Alle Bezeichnungen der GOAL ZERO-Akkus und -Solargeneratoren enthalten eine Zahl, wie Guide10 Plus Power Pack, Goal Zero Yeti 1400. Diese Zahlen beziehen sich auf die Wattstunden (Wh) oder die Energiemenge, die in jedem Ladegerät gespeichert werden kann, und so wissen Sie, ob Ihr Gerät mit jedem Ladegerät kompatibel ist. Ein 200 Wh-Ladegerät sollte ein 100 W-Licht beispielsweise in 2 Stunden aufladen ($200/100=2$). Wenn Ihr Gerät zu der 1400 Wh-Kapazität des Goal Zero Yeti passt, sollten Sie die Einschränkungen an jedem der Ausgangs-Anschlüsse prüfen.

Ein weiterer Faktor ist die Frage, wieviel Strom umgewandelt wird, der von der Batterie des Goal Zero Yeti in das Gerät fließt, das Sie betreiben/aufladen. Manchmal, wenn z.B. ein 12 V-Gerät wie der LAL 350 direkt am 12 V-Anschluss betrieben wird, findet keine Umwandlung und daher kein weiterer Verlust statt. Bei der Verwendung eines USB-Anschlusses zur Aufladung eines Handys fügen Sie eine Konversionsschicht hinzu (die 12 V-Batterieleistung im Goal Zero Yeti wird in einen 5 V USB-Ausgang umgewandelt), was rund 10 % Verlust bringt. Bei der Verwendung des Wechselrichters gibt es zwei Konversionsschichten (12 V zu Hochspannung, DC zu AC). Die ineffizienteste Art der Verwendung der Batterie im Goal Zero Yeti ist die Nutzung eines AC-DC-Adapters außerhalb der AC-Anschlüsse, wie es bei der Aufladung eines Handys am Ladegerät der Fall ist, denn es wird im Ladegerät noch eine weitere Konversionsschicht hinzugefügt.

Für die Entscheidung, welches Gerät Sie mit Ihrem neuen GOAL ZERO Ladegerät betreiben, sollten Sie herausfinden, wie hoch der Stromverbrauch Ihres Geräts ist. Schnelle Tipps und Lern-Tools finden Sie auf www.GoalZero.com/learn.html

FEHLERBEHEBUNG

Wenn Ihre Geräte nicht am Goal Zero Yeti aufladen, befolgen Sie die folgenden Schritte:

1. Stellen Sie sicher, dass der Ausgangs-Anschluss angestellt ist. Das grüne LED-Licht an der Power-Taste sollte leuchten.
 - a. Wenn eines der Lichter rot leuchtet, zeigt dies einen Fehler an. Drücken Sie die Taste erneut, um dies zurückzusetzen. Das Licht wechselt auf grün, wenn das Zurücksetzen erfolgreich war.
2. Prüfen Sie die Batterie-Anzeige. Wenn Sie 20 % oder weniger anzeigt, laden Sie den Goal Zero Yeti auf.
3. Prüfen Sie die LCD-Anzeige auf die Warnsymbole:

ÜBERLASTUNG: Die Leistungsaufnahme übersteigt den höchsten zulässigen Wert des Anschlusses. Angezeigt durch ein rotes Licht in der Schaltfläche des Anschlusses.

BATT SAFE MODE (Batteriesparmodus): Wird aktiviert, wenn die Batteriespannung zu weit abfällt, um den Anschluss des Zigarettenanzünders effektiv zu betreiben (>10,5 V). Alle anderen Anschlüsse bleiben aktiv (soll 12 V-Standardgeräte schützen).



Temperaturwarnung
Gerät abkühlen lassen.



Auf Batterie achten.
Kunden-Support kontaktieren.
1-888-794-6250

4. Prüfen Sie, ob Ihr Gerät für die Verwendung mit dem Goal Zero Yeti geeignet ist:
 - a. Alle Anschlüsse des Goal Zero Yeti haben ihre eigene maximale Leistungskapazität. Prüfen Sie die technische Spezifikation des Goal Zero Yeti, um die Kompatibilität mit Ihrem Gerät festzustellen.
5. Wenn Sie dennoch Schwierigkeiten mit Ihrem Goal Zero Yeti haben, rufen Sie unser Kunden-Center unter 1-888-794-6250 an oder senden Sie uns eine E-Mail unter support@goalzero.com.

BATTERIEN 101: GOAL ZERO nutzt die neueste und beste Batterietechnologie, um Sie bei allen Abenteuer des Lebens zu begleiten. Zu den Themen der vielseitigen und leichten Lithium-Ionen- bis zur robusten und leistungsstarken Bleisäure-Technologie haben wir einige hilfreiche Tipps zusammengestellt, damit Ihre GOAL ZERO Batterien optimal funktionieren.

i. Batterien brauchen Aktivität.

Das Beste für eine Batterie ist, wenn man sie verwendet. Lassen Sie die Batterie nicht längere Zeit ruhen, ohne sie aufzuladen. Wenn Sie den Goal Zero Yeti lagern, ohne ihn an ein Ladegerät zu hängen, achten Sie zuvor darauf, dass er voll aufgeladen ist.

ii. Der "Batteriespeicher"-Mythos.

Aufgrund der alten Nickel-Cadmium- (NiCd)-Batterien kursiert ein Mythos namens "Tiefentladung", der besagt, dass man die Batterien komplett entladen sollte, bevor man sie wieder auflädt. Dies trifft zwar für NiCd-Batterien zu, aber die üblichen Batterien, die Sie in den meisten Geräten heute finden, erfordern keine derartige Entladung, und hierzu gehören auch die modernen Lithium- und Bleisäure-Batterien in Ihrem GOAL ZERO Ladegerät. Tatsächlich sollte man die Tiefentladung der Batterien vermeiden - sie sind in den meisten Fällen eher schädlich als positiv.

iii. Der "Stadion-Effekt".

Der Stadion-Effekt tritt auf, wenn Sie Ihre Batterien aufladen. Sie stellen fest, dass die Batterie anfangs schnell auflädt und dann aber deutlich langsamer, wenn Sie die letzten Prozent aufladen möchten. Stellen Sie sich vor, wie sich ein Stadion füllt, wenn sich die Tore anfangs öffnen - es gibt Hunderte freier Sitzplätze, so dass Sie problemlos den gewünschten finden. Am Ende gibt es nur noch einige freie Plätze hier und da und die Menschen müssen umherlaufen, um den gewünschten Platz zu finden, so dass es länger dauert, bis diese Sitzplätze besetzt sind. Derselbe Grundsatz gilt für die Aufladung von Batterien. Die Energie kann anfangs leicht hineinfließen und den freien Raum besetzen, und wenn später weniger Platz zur Verfügung steht, dauert es länger, bis die Energie die freien Plätze besetzt hat.

iv. Lesen Sie die Bedienungsanleitung.

Ja, das kann dauern, aber die Bedienungsanleitung ist der beste Ort, um nachzulesen, was man bei der Batterie Ihres jeweiligen Geräts tun und lassen sollte. Durch das Lesen der Bedienungsanleitung ist garantiert, dass Sie das tun, was Ihre Batterie in gutem Zustand erhält.

SOLAR 101: Mit GOAL ZERO ist es einfach, Ihr Gerät mithilfe von Sonnenlicht aufzuladen - wir haben die Solarenergie nicht erfunden, aber wir haben sie perfektioniert. Einige Dinge, an die Sie denken sollten, wenn Sie Ihr Gerät mit Solarenergie aufladen.

i. Solar-Panels speichern keine Energie aus der Sonne, sondern sie nehmen Energie auf.

Wir zeigen Ihnen, wie Sie ERFASSEN - SPEICHERN - NUTZEN, was die beste Methode ist, um Ihr Gerät mithilfe von Sonnenenergie aufzuladen. ERFASSEN Sie die Sonnenenergie mit einem Solar-Panel. SPEICHERN Sie die Energie in einem Ladegerät. NUTZEN Sie das Ladegerät, um Ihr Gerät am Tag oder in der Nacht zu betreiben. Wenn Sie eingefleischter Fan sind, können Sie Ihr Gerät direkt in die Anschlussdose auf der Rückseite Ihres NOMAD Solar-Panels einstecken, um es durch das Sonnenlicht aufzuladen.

ii. Nicht alle Solar-Aufladezeiten werden gleich berechnet.

Die meisten Solar-Panel-Hersteller berechnen ihre Aufladezeiten mit der folgenden Formel: Wattstunden des Geräts/Watt-Anzahl des Solar-Panels = Solar-Aufladezeiten. Ein 13 Watt-Solar-Panel würde also theoretisch ein 50 Wh-Aufladegerät in 3,84 Stunden aufladen ($50/13 = 3,84$) - und dies ist die Zahl, die Sie in der Werbung für Solar-Panels lesen. Um jedoch die Ergebnisse aller Hersteller zu standardisieren, werden diese Tests unter Laborbedingungen durchgeführt. In Wirklichkeit erhalten Sie an einem guten sonnigen Tag rund 50-75% der angegebenen Wattzahl Ihres Solar-Panels, und mit diesem Wert kalkulieren die Ingenieure von GOAL ZERO die Solar-Aufladezeiten, die Sie auf unseren Verpackungen lesen.

iii. Solaraufladung funktioniert, selbst bei Bewölkung.

Solar-Panels nutzen IR-, UV- und sichtbare Sonnenstrahlen, die durch die Wolkendecke dringen. Die Effizienz des Solar-Panels ist zwar bei Bewölkung niedriger, es wird aber immer noch wertvolle Sonnenenergie aufgenommen.

iv. Halten Sie es fern von Schatten und Fenstern.

Auch wenn Sie selbst an sonnigen Tagen den Schatten vorziehen sollten, nimmt Ihr Solar-Panel mehr Energie auf, wenn es dem Sonnenlicht voll ausgesetzt ist. Fenster haben auch den Effekt, die Effizienz zu mindern. Legen Sie diese Panels also ins Freie und in das direkte Sonnenlicht.

v. Die richtige Ausrichtung wirkt Wunder.

Wenn Sie Ihr Solar-Panel in Richtung der Sonne ausrichten, kann dies die Solar-Effizienz deutlich erhöhen. Richten Sie es aus und lassen Sie Mutter Natur den Rest erledigen.

INGESCHRÄNKTE GARANTIE

GOAL ZERO LLC garantiert dem Originalkäufer, dass das GOAL ZERO Produkt während der gültigen Garantiezeit, festgelegt in nachstehendem Paragraph 2 und vorbehaltlich der in nachstehendem Paragraph 5 festgelegten Ausnahmen, bei normalem Gebrauch frei von Verarbeitungs- und Materialfehlern ist. Diese Garantieerklärung stellt die komplette und ausschließliche Garantieverpflichtung von GOAL ZERO dar. Wir übernehmen keine andere Haftung in Verbindung mit dem Vertrieb unserer Produkte und ermächtigt keine anderen Personen, eine solche Haftung für uns zu übernehmen.

GARANTIEFRIST

Die Garantiefrist für GOAL ZERO Batteriezellen (ob eigenständig oder als Teil eines anderen Produkts erworben) beträgt 180 Tage. Die Garantiefrist für alle anderen GOAL ZERO Produkte und Teile beträgt ein (1) Jahr. In jedem Fall beginnt die Garantiefrist mit dem Datum des Kaufs durch den Originalkäufer. Die Quitting des Originalkaufs oder andere sinnvolle dokumentierte Nachweise sind notwendig, um das Anfangsdatum der Garantiefrist festzulegen. Wenn Sie das GOAL ZERO Online-Produktregistrierungsformular innerhalb von 30 Tagen nach Kauf Ihres Produkts ausgefüllt haben, kann diese Registrierung ebenfalls das Anfangsdatum der Garantiefrist festlegen (die Gewährleistung hängt jedoch nicht von dieser Registrierung ab).

RECHTSMITTEL

GOAL ZERO wird jedes GOAL ZERO Produkt (nach Wahl und auf Kosten von GOAL ZERO), das während der gültigen Garantiefrist aufgrund eines Verarbeitungs- oder Materialfehlers nicht funktioniert, reparieren oder ersetzen.

BESCHRÄNKT AUF ORIGINALKÄUFER

Die Garantie der GOAL ZERO Produkte ist beschränkt auf Originalkäufer und nicht übertragbar auf nachfolgende Besitzer.

AUSNAHMEN

GOAL ZEROs Garantie bezieht sich nicht auf (i) jegliches Produkt, das falsch oder missbräuchlich verwendet, modifiziert, versehentlich beschädigt oder für etwas anderes als den normalen Gebrauch verwendet wurde, wie er laut den aktuellen GOAL ZERO Produkthinweisen zugelassen ist, oder auf (ii) jegliches Produkt, das in einem Online-Auktionshaus erworben wurde. GOAL ZEROs Garantie schließt keine Batteriezellen oder Produkte ein, die eine Batteriezelle enthalten, es sei denn, die Batteriezellen wurden innerhalb von sieben (7) Tagen nach dem Kauf des Produkts und im Anschluss mindestens alle 6 Monate von Ihnen aufgeladen.

SERVICELEISTUNGEN ERHALTEN

Um eine Garantieleistung in Anspruch zu nehmen, müssen Sie unser Kundenservice-Team telefonisch unter (888) 794-6250 oder per E-Mail unter support@goalzero.com kontaktieren. Wenn unser Kundenservice-Team feststellt, dass Sie weitere Hilfe benötigen, erteilen Sie Ihnen eine RMA- (Return Material Authorization)-Nummer und senden Ihnen ein vorfrankiertes Rücksende-Etikett zu, das Sie für die Rücksendung Ihres/Ihrer nicht-funktionierenden Artikel verwenden können. Sie müssen das Produkt angemessen verpacken, die RMA-Nummer deutlich auf dem Paket vermerken und dem Produkt Ihren Beleg des Kaufdatums beilegen. Wir werden Ihre Reklamation bearbeiten und schicken Ihnen das reparierte oder ersetzte Produkt zu, wobei wir die Kosten für den Versand innerhalb Nordamerikas tragen. Im Fall von Produkten, die außerhalb Nordamerikas gekauft oder transportiert wurden, kontaktieren Sie bitte den Händler, bei dem Sie das Produkt erworben haben, oder senden Sie eine E-Mail an support@goalzero.com, um weitere Händlerinformationen zu erhalten.

IMPLIZIERTE GARANTIEEN

DIE HIER GENANNTEN EINGESCHRÄNKTE GARANTIE ERSETZT ALLE ANDEREN VERTRAGLICHEN GEWÄHRLEISTUNGEN. IN KEINEM FALL GEHEN IMPLIZIERTE GARANTIEEN, EINSCHLIESSLICH, ABER NICHT BESCHRÄNKT AUF MARKTFÄHIGKEIT, EIGNUNG FÜR EINEN BESTIMMTEN ZWECK ODER NICHTVERLETZUNG VON RECHTEN, ÜBER DIE IN O.G. PARAGRAPH 2 GENANNTEN GÜLTIGE GARANTIEFRIST HINAUS. Einige Staaten erlauben keine Beschränkungen in Bezug auf die Frist einer eingeschränkten Garantie, daher trifft o.g. Beschränkung für Sie evtl. nicht zu. Diese Garantie gewährt Ihnen bestimmte gesetzliche Rechte, und möglicherweise verfügen Sie über weitere Rechte, die von Staat zu Staat verschieden sein können.

AUSSCHLIEßLICHES RECHTSMITTEL; HAFTUNGSBESCHRÄNKUNG

Die vorstehenden Bestimmungen regeln die gesamte Haftung von GOAL ZERO sowie Ihre ausschließlichen Rechtsmittel bei jeder Garantieverletzung, ob ausdrücklich oder implizit. IN KEINEM FALL IST GOAL ZERO HAFTBAR FÜR JEDWEDEN FOLGE- ODER UNABSICHTLICHEN SCHADEN, DER AUS DER NUTZUNG ODER FEHLERHAFTEN NUTZUNG EINES GOAL ZERO PRODUKTS ODER AUS EINER GARANTIEVERLETZUNG, EINSCHLIEßLICH SCHADEN AN ANDEREN GERÄTEN, RESULTIERT. IN KEINEM FALL ÜBERSTEIGT GOAL ZEROS HAFTUNG BEI ANSPRÜCHEN, SEI ES AUS VERTRÄGEN, GARANTIEEN, UNERLAUBTEN HANDLUNGEN (EINSCHLIEßLICH FAHRLÄSSIGKEIT UND GEFAHRDUNGSHAFTUNG) ODER UNTER JEDER HAFTUNGSTHEORIE, DIE SUMME, DIE SIE FÜR IHR GOAL ZERO PRODUKT BEZAHLT HABEN. Einige Staaten erlauben keine Ausnahmen oder Beschränkungen von unabsichtlichen oder Folgeschäden, daher trifft o.g. Beschränkung oder Ausnahme für Sie evtl. nicht zu.



KOSTENLOSE VERLÄNGERTE GARANTIE

Sie erhalten Schutz für Ihre Goal Zero Yeti Lithium Tragbare Stromversorgung für ein WEITERES JAHR, indem Sie Ihr Produkt einfach registrieren unter:

GOALZERO.com/extendedwarranty

Dadurch erhalten Sie INSGESAMT ZWEI Jahre sorgenfreie Gewährleistung. Eine unkomplizierte sorgenfreie Zeit für Sie und Ihren neuen Energie-Begleiter.

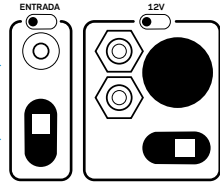
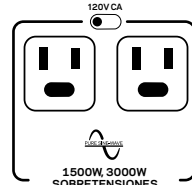
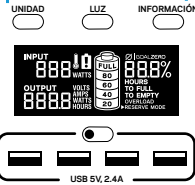
Conozca su Equipo

Entrada para cargar con paneles solares de Goal Zero Solar Panels o CA

Entrada para cargar con energía de CA

CONECTAR A LA FUENTE DE ALIMENTACIÓN CUANDO NO ESTÉ ENCENDIDO

Botones interactivos y pantalla LCD



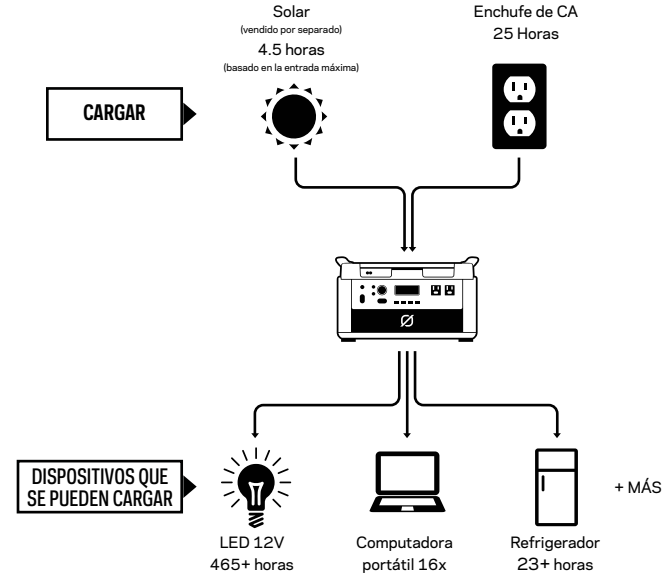
Salidas 12V

Salidas de USB

Salidas de CA

Entrada para cargar con paneles solares de terceros (se requiere adaptador)

Cómo funciona



Cómo cargar su Goal Zero Yeti

CÁRGAME AHORA: Antes de usarlo o almacenarlo, enchufe su Goal Zero Yeti hasta que esté completamente cargado. Mantenga su Goal Zero Yeti conectado cuando no lo esté usando. Para obtener más consejos y sugerencias sobre cómo mantener la batería en buenas condiciones, consulte la sección BATERÍA 101.

Al cargar su Goal Zero Yeti, notará que un segmento de la batería parpadea en la pantalla. Esto indica el estado de carga actual. Una vez que su Goal Zero Yeti esté completamente cargada, todos los segmentos de la batería se encenderán y permanecerán estables. Siempre que el Goal Zero Yeti esté recibiendo más carga de la que esté sacando de los puertos de salida, la pantalla también indicará un tiempo estimado hasta que esté totalmente cargada. Este es un tiempo estimado en función de los números de entrada y salida de carga en ese momento; se ajustará gradualmente a un tiempo más corto o más largo, ya que los índices de carga o descarga promedio fluctúan.

Cómo cargar con energía solar.

NOTA IMPORTANTE: Cuando recargue con luz solar su Goal Zero Yeti Lithium, tome nota de las tensiones de los paneles solares y no exceda los 30V. Los paneles solares individuales o paneles solares en serie que excedan los 30V no se pueden utilizar con el Goal Zero Yeti Lithium y pueden causar daños graves a la unidad. Para obtener ayuda sobre la colocación de paneles solares, llame a nuestro Centro de Soluciones al Cliente al 888-794-6250.

Hay tres entradas diferentes que puede utilizar al cargar su Goal Zero Yeti usando energía solar, dos de las cuales se encuentran en el área "INPUT" en la esquina superior izquierda de la placa frontal de Goal Zero Yeti y una tercera ubicada dentro del compartimento de almacenamiento debajo de la tapa superior. Uno de los puertos delanteros y el puerto dentro del compartimento de almacenamiento son puertos redondos de 8 mm, que están diseñados para ser utilizados con los paneles solares de Goal Zero. Cada puerto de entrada puede manejar hasta 160W. El puerto Anderson Power Pole está diseñado para ser utilizado con paneles solares de mayor o superior potencia y puede manejar 360W de potencia, que es la capacidad total de alimentación en los puertos de entrada.

1. Coloque su panel solar en un lugar donde pueda obtener toda la luz solar directa posible.

2. Inserte el conector del panel solar de anillo azul en uno de los puertos INPUT, ya sea en la parte frontal del Goal Zero Yeti o en el compartimento de almacenamiento que está ubicado debajo de la tapa superior. Sabrá que el Goal Zero Yeti se está cargando cuando la luz LED azul que está junto al puerto INPUT se ilumine y los segmentos de la batería en la LCD BATTERY DISPLAY parpadeen. El Goal Zero Yeti se carga completamente cuando todos los segmentos de la batería dejan de parpadear y permanecen estables.

3. También puede conectar el Goal Zero Yeti a los paneles solares usando el puerto Anderson PowerPole y el adaptador apropiado, junto al puerto de carga.

4. Puede acomodar varios paneles solares de Goal Zero Solar juntos para reducir los tiempos de recarga solar. Su Goal Zero Solar es capaz de recibir 160W de energía solar por entrada, y no más de 360W combinados.

5. Puede cargar su Goal Zero Yeti con paneles solares, y un cargador de pared al mismo tiempo.

Cómo cargar con un tomacorriente

Usando el cargador de pared de CA incluido, conecte su Goal Zero Yeti en cualquier tomacorriente de pared. Sabrá que el Goal Zero Yeti se está cargando cuando la luz LED azul al lado del puerto INPUT se encienda y los segmentos de la batería en la BATTERY DISPLAY parpadeen. El Goal Zero Yeti se carga completamente cuando todos los segmentos de la batería dejan de parpadear y permanecen estables. La Goal Zero Yeti puede recargarse usando un tomacorriente de pared en aproximadamente 25 horas.

1. El adaptador de pared de CA viene en dos piezas. Conecte las dos piezas enchufando el cable en la caja.
2. El cable de CA se puede enchufar en el adaptador de CA mientras está almacenado dentro del compartimento de almacenamiento con el conector de 8 mm DC enchufado en el puerto dentro del compartimento, o puede sacarlo del compartimento y enchufarlo en el puerto de entrada del panel frontal.

NOTA IMPORTANTE: El Goal Zero Yeti no es apto para una recarga desde una fuente de 12 V, ya que podría agotar la batería de su vehículo o dañar los fusibles de su vehículo.

Cómo usar su Goal Zero Yeti

Como usar su Goal Zero Yeti:

1. Presione el botón de encendido situado por encima de cada puerto que va a utilizar.
**Cuandono esté usando ciertos puertos, cerciórese de apagarlos para conservar energía.
2. Usted sabrá que el puerto está encendido cuando la luz verde del LED en el botón esté iluminada.
3. Enchufe su equipo para cargarlo a donde quiera que vaya.
4. Si es posible, mantenga su Goal Zero Yeti conectado a una fuente de alimentación cuando no esté en uso.
5. Puede cargar tu Goal Zero Yeti y operar su equipo al mismo tiempo.

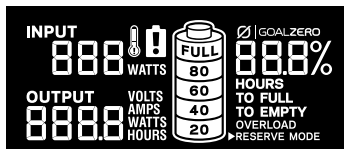
Mejor estrategia de uso:

Al cargar el equipo con su Goal Zero Yeti, tome nota de la pantalla LCD de la batería. Si conecta dispositivos que tienen un alto consumo de energía (un refrigerador grande), el nivel de carga de su Goal Zero Yeti puede descargarse muy rápidamente y no puede obtener exactamente 1400Wh de energía. Además, especialmente cuando se utiliza la salida de alimentación de CA, el Goal Zero Yeti convierte la energía de corriente continua de la batería a corriente alterna que necesita el dispositivo. Aunque su Goal Zero Yeti tiene un inversor altamente eficiente, todavía se puede perder energía en la conversión y no obtendrá la capacidad nominal total de la batería. Si experimenta tiempos de funcionamiento más cortos, quizás deba comprobar los requisitos de alimentación del dispositivo, consulte la sección SOLUCIÓN DE PROBLEMAS para obtener ayuda.

Uso en clima frío:

Las temperaturas frías (por debajo del nivel de congelación) pueden afectar la capacidad de la batería de Goal Zero Yeti. Si vive en condiciones subcero, le recomendamos que mantenga su Goal Zero Yeti en un refrigerador aislado, conectado a una fuente de energía (paneles solares)

Pantalla LCD + Botones Puede activar la retroiluminación de la pantalla pulsando el botón LIGHT. La pantalla LCD incorporada indica cuatro cosas importantes:



y cargue su equipo. El calor natural generado por el Goal Zero Yeti contenido en un refrigerador aislado mantendrá la capacidad de la batería en su punto más alto.

1. El INPUT muestra la cantidad de potencia (vatios) que ingresa en el Goal Zero Yeti al ser cargado. Si se carga con energía solar, verá el cambio de vatios a medida que reposiciona los paneles dentro/afuera de la luz solar.

a. El LO mostrará si el flujo de energía es inferior a una cantidad medible.

2. El OUTPUT muestra la cantidad de potencia (vatios) que utilizan sus dispositivos mientras están conectados al Goal Zero Yeti.

3. TIME TO EMPTY/FULL muestra la cantidad de tiempo antes de que su Goal Zero Yeti esté totalmente cargada o vacía, dependiendo de si la cantidad neta de energía que ingresa en el Goal Zero Yeti es positiva o negativa.

4. BATTERY LEVEL muestra 5 segmentos, aproximadamente 20% - 40% - 60% - 80% - 100% de capacidad. Cuando utilice su Goal Zero Yeti, los segmentos desaparecerán de la pantalla, indicando la carga restante. Cuando cargue su Goal Zero Yeti notará que el segmento de la batería parpadeará. Esto indica el estado de carga actual. Una vez que su Goal Zero Yeti esté completamente cargada, todos los segmentos de la batería se encenderán y permanecerán estables. Siempre que el Goal Zero Yeti esté recibiendo más carga de la que está sacando de los puertos de salida, la pantalla también indicará un tiempo estimado hasta que esté totalmente cargada. Este es un tiempo estimado basado en los números de entrada y salida de energía en ese momento; Se ajustará a un tiempo más corto o más largo si las tasas de carga o descarga fluctúan. Tenga en cuenta que cuando lo conecte a una fuente de alimentación, ya sea un panel solar o un cargador de pared, el Yeti puede tomar un minuto para detectar y ajustar su circuito de carga antes de que empiece a sacar energía de la fuente.

Presionar el botón UNIT lo desplazará a través de diferentes ajustes de salida y consumo de energía.

Presionando y sosteniendo el botón UNIT restablecerá el contador de salida WATT HOUR.

Presionando el botón INFO alternará la pantalla entre mostrar el estado detallado de la carga del porcentaje de carga y el tiempo de Vacío/Completo.

Mantenimiento en tiempo de parada y almacenamiento

Conectar su Goal Zero Yeti a una fuente de alimentación, como un panel solar o un enchufe de pared, entre aventuras o mientras que está almacenado mantiene su batería sana y completa. Esto prolonga la duración de la batería y asegurará que su Goal Zero Yeti está cargada y lista para operar todo el día, todos los días.

Si no puede mantener su Goal Zero Yeti conectado a una fuente de alimentación durante el almacenamiento, cargue completamente su Goal Zero Yeti cada 3 meses y guárdela en un lugar fresco y seco. Si no sigue estos pasos para conservar a su puede resultar en un daño de la batería que anulará la garantía del producto.

Especificaciones técnicas

BATERÍA:

Química de la celda	Li-ion NMC
Capacidad de paquete	1425Wh (10.8V, 132Ah)
Capacidad equivalente a una celda individual	396Ah @ 3.6V
Ciclos de vida	Cientos de ciclos
Vida útil	Carga cada 3 a 6 meses
Sistema de administración	Controlador de carga PWM, protección de batería baja

Puertos:

Puerto de USB (salida)	5V, hasta 2,4A (12W máx.), regulado
Puerto de 6 mm (salida de 6 mm)	12V, hasta 10A (120W máx.)
Puerto 12V de automóvil (salida)	12V, hasta 10A (120W máx.)
Puerto 12V de polo de energía (salida)	12V, hasta 10A (120W máx.)
Inversor de la CA 120V (salida, onda senoidal pura)	120VAC 60Hz, 12.5A (sobretensiones de 1500W, 3000W)
Inversor 230V de AC (salida, onda senoidal pura)	230VAC 50Hz, 6.5A (sobretensiones de 1500W, 3000W)
ENCHUFES DE CA UNIVERSALES O PARA AUSTRALIA (TIPO I)	
Puerto de carga (entrada, 8mm)	14-22V, hasta 10A (120W máx.)
Puerto de carga de polo de energía (entrada)	14-22V, hasta 30A (360W máx.)

General:

Peso	45.7 lbs (20.7 kg)
Dimensiones	10.1 x 15.3 x 10.4 in (25.7 x 38.9 x 26.4 cm)
Temperatura en operación	De 32 a 104 °F (de 0 a 40 °C)
Certificaciones	  
Garantía	12 meses

¿Qué tipo de batería está en mi Goal Zero Yeti?

Su Goal Zero Yeti utiliza Ion de litio personalizado diseñado. Estos son algunos datos básicos sobre las baterías de iones de litio:

1. Las baterías de iones de litio pueden almacenar y liberar mucha energía en un corto período de tiempo. Las baterías de su Goal Zero Yeti están en un compartimiento de protección con un sofisticado sistema de gestión y protección de baterías que controla sus terminales de lo exterior.
2. Es fundamental que la batería no se moje, ya que la humedad y el agua pueden entrar en las celdas de la batería detrás de los circuitos de protección y penetrar la protección.

¿Puedo reemplazar la batería de mi Goal Zero Yeti?

Sí, la batería del Goal Zero Yeti está diseñada para un reemplazo fácil.

1. Gire su Goal Zero Yeti upside-down y coloque su superficie superior en la toalla o la manta sobre una superficie dura.
 2. Retire los 10 tornillos de la placa inferior.
 3. Desenrosque los 2 tornillos que conectan a los terminales de la batería.
 4. Tire y desconecte el conector de datos a la batería.
 5. Retire los 8 tornillos que sostienen el paquete de baterías del Goal Zero Yeti.
 6. Quite la batería vieja de la Goal Zero Yeti
- ** Esta batería es PESADA. Tenga precaución y técnica apropiada al levantarla.
7. Inserte la batería de repuesto y vuelva a montar todo en orden inverso de los pasos anteriores.
 8. Las baterías reemplazables estarán disponibles en GoalZero.com. Llámenos al 888-794-6250 para obtener ayuda.

¿Cómo sé si mi Goal Zero Yeti está cargado?

Para comprobar el nivel de carga de su Goal Zero Yeti, consulte la LCD Battery Display. Cuando está iluminada, verá un contorno de batería con 5 segmentos, que indica el nivel de carga actual. Puede usar el Goal Zero Yeti incluso cuando no está completamente cargado.

¿Por qué parpadea la luz del botón de CA?

Una luz parpadeante en el botón de CA indica que en la carga actual y el convertidor de CA se apagarán pronto; También debería consultar el RESERVE MODE (MODO DE RESERVA) que

parpadea en la pantalla. Recargue su Goal Zero Yeti tan pronto como sea posible para continuar alimentando su dispositivo. Una vez que el inversor de CA se ha apagado, el Yeti intentará reiniciarse tres veces. Después de tres intentos, el inversor de CA permanecerá apagado hasta que usted lo restablezca físicamente presionando el botón de CA o recargando la batería con una pequeña cantidad.

¿Por qué está parpadeando la luz en el botón 12V?

Una luz que parpadea en el botón 12V indica que el puerto del automóvil 12V se ha cerrado para proteger lo que usted ha enchufado adentro; También debe consultar el RESERVE MODE (MODO DE RESERVA) que parpadea en la pantalla. Recargue su Goal Zero Yeti tan pronto como sea posible para continuar alimentando tu dispositivo.

¿Cómo puedo saber si mi dispositivo funcionará con Goal Zero Yeti?

Primero, tendrá que determinar la cantidad de energía que su dispositivo requiere. Esto puede requerir que usted investigue por su cuenta, busque en el Internet o examine la guía de usuario para su dispositivo.

En segundo lugar, deberá verificar la capacidad de los puertos de salida individuales. Por ejemplo, el puerto de CA de Goal Zero Yeti está alimentado por un inversor que permite 1500W de potencia. Esto significa que si su dispositivo recibe más de 1500W durante un período de tiempo prolongado, el inversor de Goal Zero Yeti se apagará. Otro punto a tener en cuenta es el nivel de sobretensiones de su dispositivo en comparación con el del puerto. El inversor de Goal Zero Yeti tiene un avanzado sistema de gestión de sobretensiones que maximizará su compatibilidad con varios dispositivos, pero todavía habrá elementos que aumentarán a un ritmo más alto, y durante un tiempo más largo, que el Goal Zero Yeti puede gestionar, en tal caso el puerto se apagará por sí mismo.

Por último, una vez que sepa que su dispositivo es compatible, usted deberá determinar cuánto tiempo podrá encender su equipo del Goal Zero Yeti. Aquí le presentamos una lesión breve sobre la energía.

Todos los grupos electrógenos y generadores solares de GOAL ZERO tienen un número en su nombre, ej. Guide 10 Plus Power Pack, Goal Zero Yeti 1400. Estos números se refieren a las horas de vatio (Wh), o la cantidad de energía que se puede almacenar en cada cargador, y cómo usted sabrá si su equipo es compatible con cada cargador. Por ejemplo, un cargador de 200Wh debe funcionar con una luz de 100W durante 2 horas ($200/100 = 2$). Si su equipo es compatible con la capacidad de 1400Wh del Goal Zero Yeti, usted deberá comprobar las restricciones en cada uno de los puertos de salida.

Otro factor que debe tomar en cuenta es la cantidad de energía que se convierte de la batería de Goal Zero Yeti al dispositivo que está alimentando/cargando. En algunas situaciones, como cuando se ejecuta un dispositivo de 1.2V, como el LAL 350, directamente en el puerto de 1.2V, no habrá conversión y por lo tanto no habrá pérdidas adicionales. Al usar los puertos USB para cargar un teléfono, se agraga una capa de conversión (batería de 1.2V en el Goal Zero Yeti se convierte en una salida USB de 5V), lo que representa alrededor del 10% de las pérdidas. Cuando se utiliza el inversor, hay dos capas de conversión (1.2V a voltaje alto, CD a CA). La manera menos eficiente de usar la batería en el Goal Zero Yeti es usar un adaptador CA-DC de los puertos de CA, como es el caso si usted usa un cargador de teléfono de pared para cargar su teléfono, ya que agrega otra capa de conversión en el adaptador de pared.

Así que cuando usted decide qué dispositivo alimentar con su nuevo cargador de GOAL ZERO, investigue sobre el consumo de vatios de su dispositivo. Para obtener más consejos y herramientas de aprendizaje, visite www.GoalZero.com/learn.html

Solución de problemas

Si sus dispositivos no se están recargando con tu Goal Zero Yeti, siga estos pasos:

1. Asegúrese de que el puerto de salida esté encendido. La luz LED verde del botón de encendido debe estar encendida.

a. Si alguna de las luces se pone roja, esto indica un disparo. Vuelva a pulsar el botón para restablecerlo. La luz se pone en verde cuando se restablece con éxito.

2. Compruebe la pantalla de la batería. Si está al 20% o menos, cargue su Goal Zero Yeti.

3. Compruebe los iconos de advertencia en la pantalla LCD:

SOBRECARGA: El consumo de energía excede la tolerancia máxima del puerto. Se indica mediante la luz roja en el botón del puerto.

MODO SEGURO DE BATERIA: Se activa cuando el voltaje de la batería cae demasiado bajo para que el puerto del encendedor funcione eficazmente (> 10.5V). Todos los demás puertos permanecen activos (diseñados para proteger dispositivos estándar de 1.2V).



Advertencia de temperatura.
Deje que la unidad se enfríe.



La batería requiere atención. Comuníquese con el servicio de atención al cliente.
1-888-794-6250

4. Compruebe que su dispositivo sea adecuado para usarlo con el Goal Zero Yeti:

a. Todos los puertos de salida de Goal Zero Yeti tienen su propia capacidad de potencia máxima. Consulte las especificaciones técnicas de Goal Zero Yeti para asegurarse de que su dispositivo es compatible.

5. Si continúa teniendo problemas con el Goal Zero Yeti, llame a nuestro Centro de Soluciones al Cliente al 1-888-794-6250 o por correo electrónico a support@goalzero.com

BATERÍAS 101: GOAL ZERO utiliza lo último en tecnología de baterías para acompañarle en todas las aventuras de la vida. Desde el versátil y ligero ión de litio hasta el potente y sólido ácido de plomo, hemos recopilado algunos consejos útiles para que las baterías de GOAL ZERO funcionen mejor.

i. Las baterías necesitan ejercicio.

Lo mejor para cualquier batería es usarla. No deje la batería sin usarla y sin cargarla durante largos periodos de tiempo. Si va a almacenar el Goal Zero Yeti sin un cargador, asegúrese de que esté completamente cargado antes de guardarlo.

ii. El mito de la "memoria de la batería".

Gracias a las viejas baterías de níquel-cadmio (NiCd), hay un mito que dice que debe drenar por completo sus baterías antes de enchufarlas para una recarga llamada "ciclo profundo". Aunque aplica a las baterías de NiCd, las baterías típicas que encontrará en la mayoría de sus equipos hoy en día, incluyendo las avanzadas baterías de litio y plomo usadas en tus cargadores GOAL ZERO, no requieren tal drenaje. De hecho, usted debe evitar el ciclo profundo de sus baterías, que hace más daño que bien en la mayoría de los casos.

iii. El "Efecto Estadio".

El efecto de estadio se produce al recargar las baterías. Usted notará que su batería se llena rápidamente al principio, luego se ralentiza notablemente al intentar cargar los últimos porcentajes. Piense en la rapidez con que un estadio se llena cuando las puertas se abren por primera vez: hay cientos de asientos abiertos por lo que es fácil encontrar el que desea. Finalmente, sólo hay unos pocos asientos abiertos y la gente tiene que maniobrar para encontrar el lugar que quieren, y llenar esos asientos toma más tiempo. La misma teoría se aplica a las baterías de recarga. Es fácil que la energía fluya y ocupe espacio vacío al principio, y con el tiempo, hay menos espacio disponible y tarda más tiempo para que la energía llene los espacios.

iv. Lea el manual.

Sí, puede ser una lectura larga, pero el manual es el mejor lugar para encontrar lo que hacer y no hacer para la batería de su dispositivo específico. Lea su manual para asegurarse que está tomando medidas para mantener sus baterías en buenas condiciones.

SOLAR 101: GOAL ZERO hace que sea fácil recargar su equipo con energía solar; no inventamos la energía solar, la perfeccionamos. Algunas cosas a tener en cuenta al recargar su equipo con energía solar:

i. Los paneles solares no almacenan la energía solar; sola la recolectan.

Le enseñamos a RECOLECTAR - ALMACENAR - USAR, que es la mejor manera de utilizar la energía solar para recargar su equipo. RECOLECTE la energía solar con un panel solar. ALMACENE la energía en un recargador. USE el cargador para alimentar su equipo, de día o de noche. Si usted es un intransigente, usted puede enchufar su equipo directamente en la caja de conexiones situada en la parte posterior de nuestros paneles solares de NOMAD para cargarlo con energía solar.

ii. No todos los tiempos de carga solar se crean de la misma forma.

La mayoría de los fabricantes de paneles solares calculan sus tiempos de recarga con la siguiente ecuación: Horas de Vatio del Dispositivo Vatio / Vatios del Panel Solar = Tiempos de Recarga Solar. Por lo tanto, teóricamente, un panel solar de 13 vatios recargaría un recargador de 50 vatios-hora en 3.84 horas ($50/13 = 3.84$) - y éste es el número que usted podría encontrar en el material de comercialización de un panel solar. Sin embargo, con el fin de estandarizar los resultados de todos los fabricantes, estas pruebas se completan en entornos de laboratorio. La verdad es que, en un buen día soleado, recibirá alrededor del 50-75% de la potencia nominal en su panel solar, y así es como los ingenieros de GOAL ZERO calculan los tiempos de recarga solar que ve en nuestro empaquetado.

iii. Trabajos solares, incluso en condiciones de nublado.

Los paneles solares utilizan rayos IR, UV y visibles del sol que pueden penetrar a través de las nubes. Aunque la eficacia del panel solar disminuirá en condiciones nubladas, usted todavía podrá recolectar la energía valiosa del sol.

iv. Manténgalos alejados de la sombra y las ventanas.

Aunque usted debe buscar la sombra en días soleados, sus paneles solares recogerán más energía cuando están completamente expuestos a la luz solar. Las ventanas también tienen el hábito de disminuir la eficiencia. Por lo tanto, debe mantener los paneles afuera y en la luz del sol.

v. La alineación adecuada funciona mejor.

Mantener su panel solar en ángulo hacia el sol puede aumentar drásticamente la eficiencia solar. Instálelo y deje que la madre naturaleza haga el resto.

Garantía y contacto

GARANTÍA LIMITADA

GOAL ZERO LLC garantiza al comprador original que este producto de GOAL ZERO estará libre de defectos de mano de obra y material bajo el uso normal del comprador durante el período de garantía aplicable identificado en el Párrafo 2, sujeto a las exclusiones establecidas en el Párrafo 5. Esta declaración de garantía establece la obligación de garantía total y exclusiva de GOAL ZERO. No asumiremos, ni autorizaremos a ninguna persona a asumir por nosotros, ninguna otra responsabilidad en relación con las ventas de nuestros productos.

PERÍODO DE GARANTÍA

El período de garantía para las células de la batería de GOAL ZERO (si se adquiere de manera independiente o como parte de otro producto) es de 180 días. El período de garantía para todos los demás productos y componentes de GOAL ZERO es de un (1) año. En cada caso, el período de garantía se mide a partir de la fecha de compra del comprador original. Se requiere recibo de venta de la primera compra del consumidor, u otra prueba documental razonable, para establecer la fecha de inicio del período de garantía. Si completó el formulario de registro de producto en línea de GOAL ZERO en un plazo de 30 días después de la compra de su producto, dicho registro también puede establecer la fecha de inicio del período de garantía (pero la cobertura de la garantía no está condicionada a dicha inscripción).

RECURSO

GOAL ZERO reparará o reemplazará (a opción y gasto de GOAL ZERO) cualquier producto de GOAL ZERO que no funcione durante el período de garantía aplicable debido a un defecto de mano de obra o material.

LIMITADA AL COMPRADOR ORIGINAL

La garantía de los productos de GOAL ZERO está limitada al comprador original y no es transferible a ningún propietario posterior.

EXCLUSIONES

La garantía de GOAL ZERO no se aplica a (i) ningún producto que haya sido mal utilizado, abusado, modificado, dañado por accidente o utilizado para cualquier otra cosa que no sea el uso normal del consumidor, tal como se autoriza en los folletos de productos de GOAL ZERO, comprado a través de una casa de subastas en línea. La garantía de GOAL ZERO no se aplica a ninguna celda de batería o producto que contenga una celda de batería, a menos que la batería esté totalmente cargada por usted dentro de los siete (7) días posteriores a la compra del producto y al menos una vez cada 6 meses.

CÓMO RECIBIR SERVICIO

Para obtener el servicio de garantía, debe comunicarse con nuestro equipo de servicio al cliente por teléfono al (888) 794-6250, o por correo electrónico a support@goalzero.com. Si nuestro equipo de servicio al cliente determina que se requiere asistencia adicional, le proporcionará un número de autorización de devolución de material ("RMA") y le proporcionará una etiqueta de envío de devolución por adelantado que puede usar para enviar por correo los artículos que no funcionan. Debe empaquetar correctamente el producto, marcando claramente el número RMA en el paquete e incluyendo el comprobante de su fecha de compra del producto. Procesaremos su devolución y le enviaremos su producto reparado o reemplazo sin costo alguno para usted para que cualquier producto que se envíe a lugares de Norteamérica. Para productos adquiridos o enviados fuera de Norteamérica, póngase en contacto con el distribuidor local de quien adquirió el producto o envíe un correo electrónico a support@goalzero.com para obtener más información sobre el distribuidor.

GARANTÍAS IMPLÍCITAS

LA GARANTÍA LIMITADA DECLARADA EN ESTE DOCUMENTO REEMPLAZA TODAS LAS OTRAS GARANTÍAS EXPRESAS. EN NINGÚN CASO, LAS GARANTÍAS IMPLÍCITAS, INCLUYENDO PERO NO LIMITADO A, CUALQUIER GARANTÍA DE COMERCIABILIDAD, ADECUACIÓN PARA UN PROPÓSITO PARTICULAR O NO INFRACCIÓN, SE EXTENDERÁN MÁS ALLÁ DEL PERÍODO DE GARANTÍA APLICABLE IDENTIFICADO EN EL PÁRRAFO 2, ANTERIORMENTE. Algunos estados no permiten limitaciones sobre cuánto dura una garantía implícita, por lo que la limitación anterior puede no aplicarse a usted. Esta garantía le otorga derechos legales específicos y también puede tener otros derechos que varían de un estado a otro.

RECURSO EXCLUSIVO; LIMITACIÓN DE RESPONSABILIDAD

Las disposiciones anteriores estipulan la responsabilidad total de GOAL ZERO y su recurso exclusivo, por cualquier incumplimiento de la garantía, expresa o implícita. EN NINGÚN CASO, GOAL ZERO SERÁ RESPONSABLE POR CUALQUIER DAÑO CONSECUENTE O INCIDENTAL QUE SURJA DE CUALQUIER USO O FALLO DE CUALQUIER PRODUCTO DE GOAL ZERO, O DE CUALQUIER INCUMPLIMIENTO DE LA GARANTÍA, INCLUYENDO DAÑO A OTROS DISPOSITIVOS. EN NINGÚN CASO LA RESPONSABILIDAD DE GOAL ZERO POR CUALQUIER RECLAMACIÓN, YA SEA EN CONTRATO, GARANTÍA, AGRAVIO (INCLUYENDO NEGLIGENCIA Y RESPONSABILIDAD Estricta) O BAJO CUALQUIER OTRA TEORÍA DE RESPONSABILIDAD, EXCEDERÁ LA CANTIDAD PAGADA POR USTED POR EL PRODUCTO DE ZERO. Algunos estados no permiten la exclusión o limitación de daños incidentales o consecuentes, por lo que la limitación o exclusión anterior puede no aplicarse a usted.



GARANTÍA EXTENDIDA GRATUITA

Obtenga un AÑO ADICIONAL de protección para su Estación Eléctrica
Portátil de Lito de Goal Zero Yeti implemente registrando su producto en:

GOALZERO.com/extendedwarranty

Esto le da dos años en TOTAL de cobertura de producto libre de preocupaciones.
Es gratis y le da tranquilidad para usted y su nuevo compañero de energía.

GOAL ZERO HEADQUARTERS

675 West 14600 South
Bluffdale, UT 84065
1-888-794-6250
Designed in the U.S.A.
Made in China

Goal Zero Yeti is a trademark of Goal Zero.

This equipment has been tested and found to comply with the limits for a Class B digital device, pursuant to part 15 of the FCC Rules. These limits are designed to provide reasonable protection against harmful interference in a residential installation. This equipment generates, uses and can radiate radio frequency energy and, if not installed and used in accordance with the instructions, may cause harmful interference to radio communications. However, there is no guarantee that interference will not occur in a particular installation. If this equipment does cause harmful interference to radio or television reception, which can be determined by turning the equipment off and on, the user is encouraged to try to correct the interference by one or more of the following measures:

- Reorient or relocate the receiving antenna.
- Increase the separation between the equipment and receiver.
- Connect the equipment into an outlet on a circuit different from that to which the receiver is connected.
- Consult the dealer or an experienced radio/TV technician for help.

This device complies with part 15 of the FCC Rules. Operation is subject to the following two conditions: (1) This device may not cause harmful interference, and (2) this device must accept any interference received, including interference that may cause undesired operation.