

## INSTRUCTION SHEET

### Cold Weather Kit - PowerPact™ Model No. 006808-1

#### Install Oil Breather Heater, Block Heater and Battery Heaters:

**NOTE:** Allow unit to cool before performing work.

1. Place unit in "OFF" mode and remove 7.5A fuse.

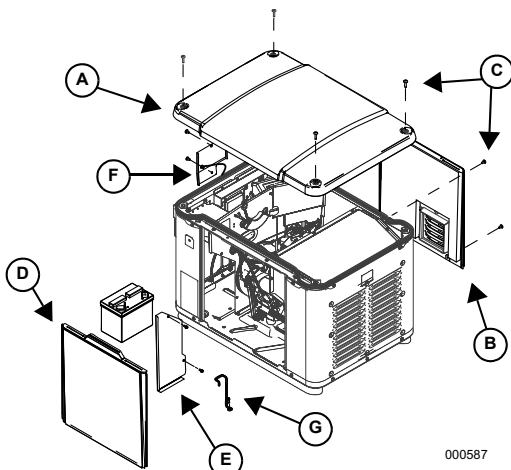


**DANGER**

Electrocution. High voltage is present at transfer switch and terminals. Contact with live terminals will result in death or serious injury.

(000129)

2. Disconnect unit utility inputs at transfer switch.
3. Remove roof (A), back panel (B), and retain fasteners (C). Unhook and remove front panel (D). Remove battery access panel (E) to gain access to battery. Also, remove electrical access panel (F) to access wiring. (See Figure 1).

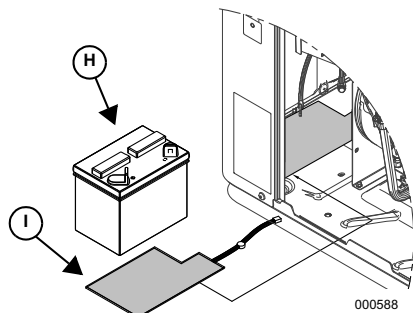


**Figure 1.**

4. Disconnect and remove battery by removing battery hold down bracket (G).

**NOTE:** Disconnect negative (black) cable first.

5. Use a clean towel, and wipe bottom of battery to remove contaminants.
6. Install battery heater (I) underneath battery (H). (See Figure 2).



**Figure 2.**

7. Drain oil through the oil drain hose (refer to owner's manual for proper procedure). Take care and clean up any spilled oil.

**WARNING**

Risk of burns. Allow engine to cool before draining oil or coolant. Failure to do so could result in death or serious injury.

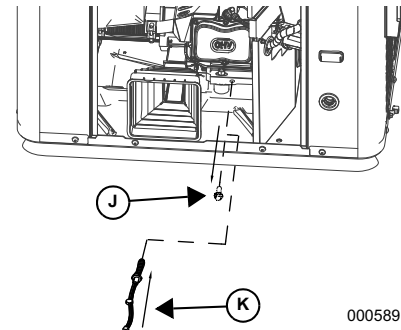
(000139)

**CAUTION**

Avoid prolonged or repeated skin contact with used motor oil.

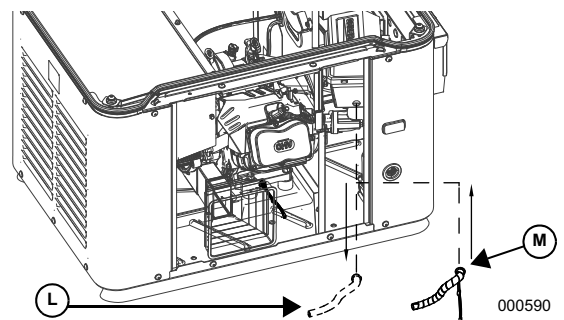
(000127)

8. Remove the rear drain plug (J) from unit and install block heater (K) provided. (See Figure 3).
9. Fill engine with recommended oil to full mark on dipstick. Refer to appropriate owner's manual for recommended oils for certain climates. Ensure that newly installed block heater does not leak oil.



**Figure 3.**

10. Replace breather (L) with new heated breather (M) from kit. Route breather through grommet in engine divider panel. (See Figure 4).



**Figure 4.**

11. Run one harness extension connector to battery heater, and connect.
12. Run second harness extension connector (N) through engine divider panel with breather tube and connect to block heater. (See Figure 5).

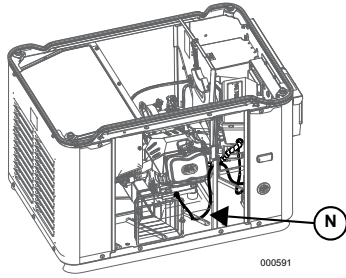


Figure 5.

13. Run and tie wrap harness extension to existing wiring harness, and connect. (See Figure 6).

**NOTE:** Battery heater (P) and block heater (Q) require 240 VAC to operate. Breather heater needs 120 VAC to operate.

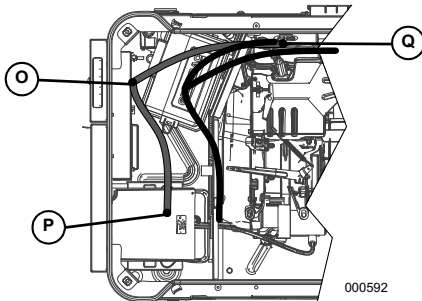


Figure 6.

14. Run harness extension through control box and plug into 240 VAC input sense terminal block, N1 (S) and N2 (R) on the Terminal Block (O). (See Figures 6 and 7).

**NOTE:** N1 and N2 do not have specific connection designations. Connect either wire to N1 or N2.

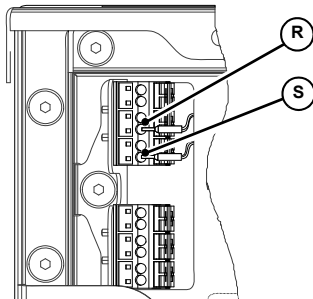


Figure 7.

15. Run wires from breather heater and connect one leg to terminal block T1 (T) and the other leg to the neutral bar (U). (See Figure 8). Tie wrap to secure the wires.

**NOTE:** Breather heater wires do not have specific polarity designation. Connect either wire to T1 and Neutral Bar.

16. Verify wire routing to ensure wires will not be pinched or cut. Use tie wraps where necessary.

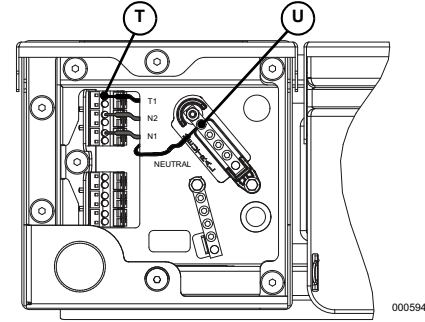


Figure 8.

**WARNING**

Explosion. Batteries emit explosive gases. Always connect positive battery cable first to avoid spark. Failure to do so could result in death or serious injury. (000133)

17. Connect battery bracket and battery cables. Secure the cover on positive battery post after securing cables.

**Important:** Verify that breather heater wires are correctly connected to T1 and Neutral Bar. Do not connect breather heater wires to N1 & N2. Wiring 120 VAC wires to 240 VAC supply will damage the heater.

**NOTE:** When connecting battery cables, connect positive (red) cable first.

18. Install battery access panel and secure to engine divider panel.  
19. Install back panel. Ensure rubber bellows is secured around plastic collar in back panel.  
20. Install front access panel, followed by roof panel.  
21. Secure all panels with appropriate fasteners removed previously.  
22. Install electrical access panel and ensure grounding wire connected to panel is securely attached to grounding terminal block.  
23. Install 7.5A fuse..

**DANGER**

Electrocution. High voltage is present at transfer switch and terminals. Contact with live terminals will result in death or serious injury. (000129)

24. Connect utility inputs to unit at transfer switch.  
25. Set unit to desired mode and secure roof panel with appropriate fasteners.

**CAUTION**

Engine damage. Verify proper type and quantity of engine oil prior to starting engine. Failure to do so could result in engine damage. (000135)