

ENGINE SYSTEM

- Mitsubishi® L2E
- Diesel fueled
- EPA Tier 4 Final
- 2 cylinder
- 0.635 L displacement
- Power @ 1,800 rpm: 7.1 hp (5.2 kW)
- Air filter: Dry type cartridge

Fuel System

- Tank usable capacity: 39.9 gal (151.04 L)
- Run time – hr:

	<u>Standard</u>	<u>Export Power Option</u>
• Lights only:	162*	165*
• 100% load:	NA	144*
- Fuel consumption – gph (Lph):

	<u>Standard</u>	<u>Export Power Option</u>
• Lights only:	0.25 (0.95)*	0.24 (0.91)
• 100% load:	NA	0.28 (1.06)
- Fill port diameter: 3.5 in (89 mm)

Cooling System

- Liquid cooled

Lubrication System

- Oil filter: Full flow, spin-on type
- 1,000-hr service interval**†

*Data based on engine manufacturer and field test data after 50-hr engine break-in period. Actual results may vary, according to factors such as age and maintenance of equipment, environmental conditions, and fuel density. For fuel and maintenance recommendations, see owner's manual.

**For maximum service interval, replace oil filter after 50-hr break-in period. For oil filter model number, see owner's manual.

†Air and fuel filter vary, according to environmental factors.

GENERATOR

- 60 Hz
- Marathon Electric® brushless

SYSTEM

- System rating – kW:

	<u>Standard</u>	<u>Export Power Option</u>
	1.4	2.4
- Receptacle rating:

	NA	20 A/120 V
--	----	------------

CONTROLS

- Illuminated control panel with sealed switches
- Key-activated switch with 4 positions (GLOW PLUG, OFF, RUN, START)
- Digital hour meter
- Automatic shutdown for low oil pressure and high coolant temperature
- One switch controls all light fixtures



Picture shown may not reflect actual configuration.

FLOODLIGHTS

- Four 320 W LED fixtures
- Aluminum and polymer housing
- Efficiency: 147 LPW
- Lm/fixture: 47,000
- Total lm: 188,000
- Coverage at 0.5 ft-c: 25,068 ft² (2,328 m²)
- IP68 LED modules; IP65 rated drivers
- Fixture-mounted drivers

ELECTRICAL SYSTEM

- Start trip breaker (ensures no-load condition exists at start-up)
- Floodlight circuits with sealed breakers
- Wiring is sized and fused to required amperage draw
- 440 CCA wet cell battery

MAST

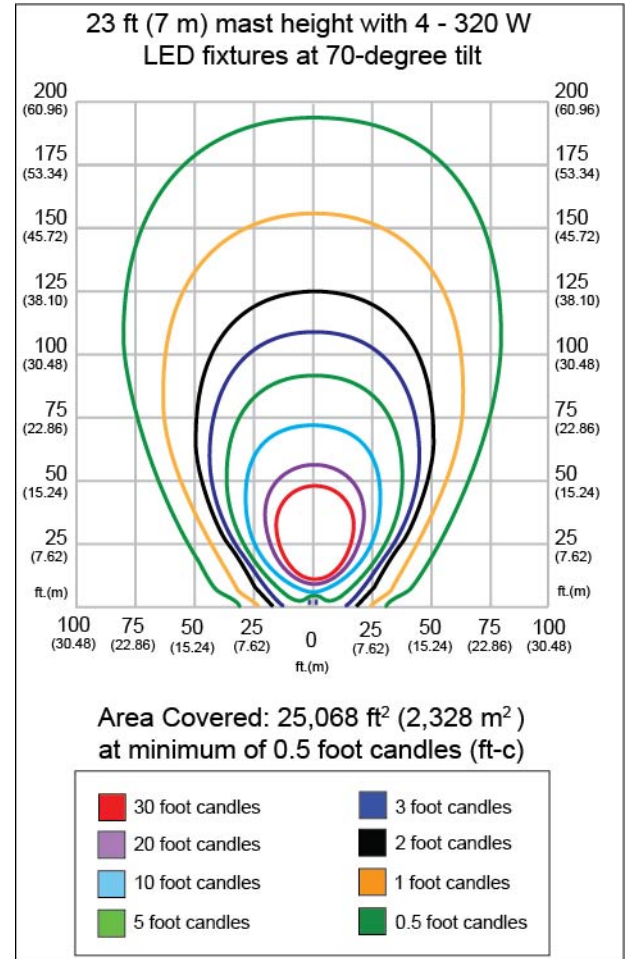
- Vertical operation and storage
- Five tubular steel sections with polymer guides
- Winch: Dual handle, manual crank, self-braking
- Distinctive angled fixture mount for common light distribution
- 359° rotation, lockable and adjustable from ground
- Industrial-black powder-coat
- Self-retracting, coiled mast cord

ENCLOSURE

- Hood:
 - Injection-molded with UV protected colorant
 - Flip-up design for ease of service
- Sound rating: 67 dB(A) at 23 ft (7 m) – lights only
- Lifting point and fork pockets
- Multi-lingual operating and safety decals
- Illuminated license plate holder
- Document holder with owner's manual – includes AC and DC wiring diagrams

TRAILER

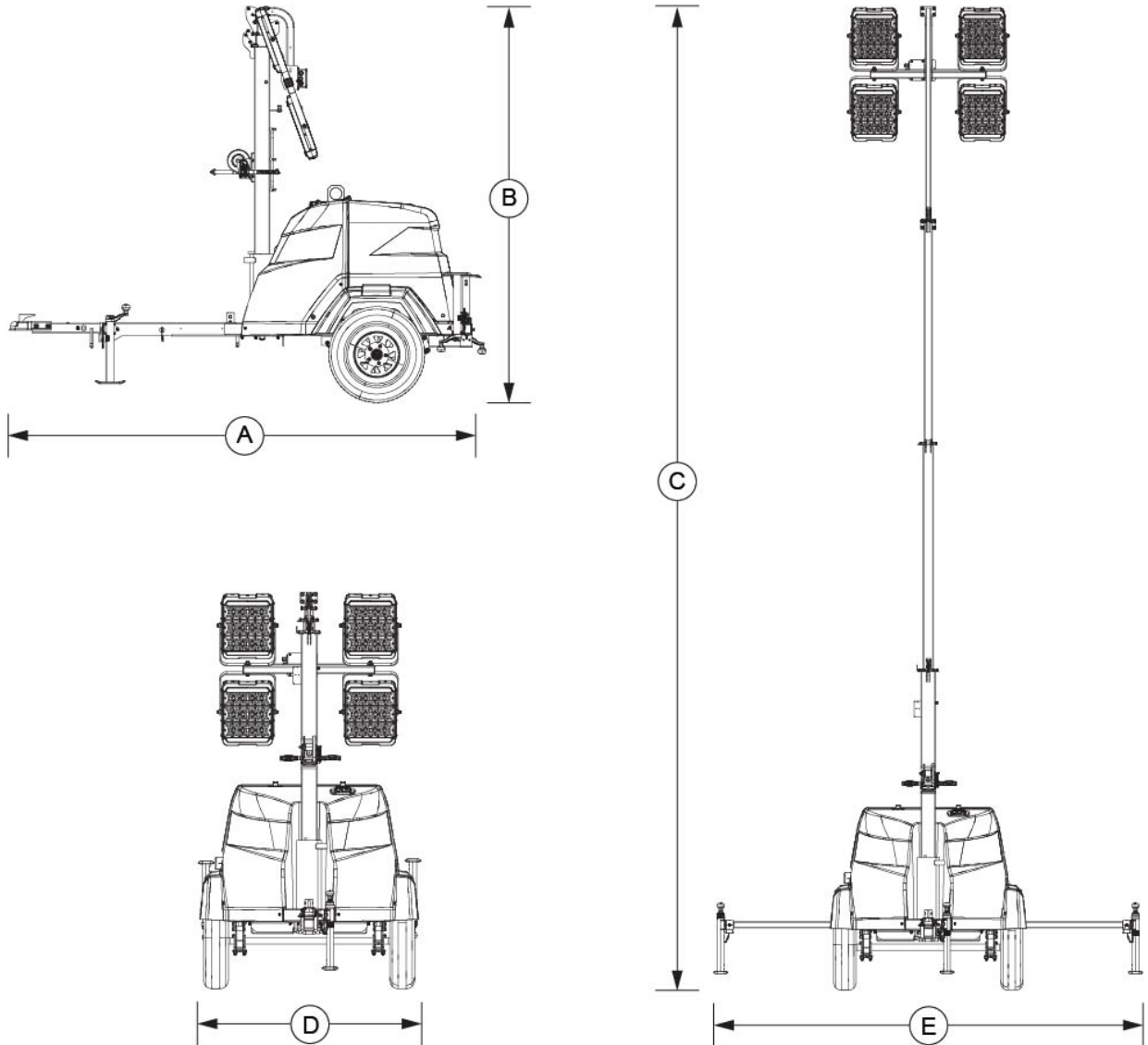
- Tubular steel frame
- 2 in (50.8 mm) ball hitch
- Three 1,200 lb (544 kg) tube-and-sleeve leveling jacks – lockable into stowed positions
- Side outriggers
- 7,800 lb (3,538 kg) safety chains with spring loaded safety hooks
- Removable tongue – 48 in (121.9 cm) long
- DOT approved LED lights: Tail, side, brake, and directionals
- 2,200 lb (998 kg) leaf spring axle
- Tires: ST175/80D13, 6 ply



OPTIONS

- Electric winch
- Winch cover
- Positive air shutdown
- 2.4 kW export power – 20 A × 120 V duplex
- Import power
- Containment (oil and coolant)
- Tandem tow
- Battery charger
- Battery disconnect
- 60/40 coolant
- Diffused LEDs
- Diffused LED lens storage
- Autolight digital controller
- Lower radiator hose heater
- Fuel filter heater

DIMENSIONS



009807

A	B	C	D	E
118 in (3 m)	101 in (2.6 m)	23 ft (7 m)	10 ft (3.05 m)	57 in (1.45 m)

WEIGHT

- | | <u>Standard</u> | <u>Export Power Option</u> |
|--------------|---------------------|----------------------------|
| • Dry: | 1,110 lb (503.5 kg) | 1,185 lb (537.5 kg) |
| • Operating: | 1,415 lb (641.8 kg) | 1,440 lb (653.2 kg) |

AMBIENT CLIMATE RATINGS

- Wind rating: 65 mph (105 kph)
- Maximum air temperature: 120 °F (49 °C)

WARRANTY

- Tower: 1 year, unlimited hours/2 years, 2,000 hours
- LED modules and drivers: 5 year limited warranty

CERTIFICATIONS

CSA certified

FOR MORE INFORMATION

Owner's manual is available at www.generacmobileproducts.com/service-support/manuals.