

MLG15 | 1.8 L | 13 kVA

MOBILE DIESEL GENERATOR SET

EPA Emissions Certification: Final Tier 4



Standby Power Rating

14 kW, 14 kVA, 60 Hz

Prime Power Rating

13 kW, 13 kVA, 60 Hz



Picture shown may not reflect actual configuration

Codes and Standards

Generac Mobile products are designed to the following standards:



CSA



NATM



TIER 4 FINAL EMISSIONS



ISO 8528-5

Power When and Where You Need It

Generac Mobile diesel generators are designed and engineered to power a variety of projects, in the most extreme environments. Gensets are configured to meet customer needs, including choice of containment, cold weather packages, trailer options, and more.

Generac Mobile diesel generators are manufactured to deliver reliable power, when and where you need it.

MLG15 | 1.8 L | 13 kVA

MOBILE DIESEL GENERATOR SET

EPA Emissions Certification: Final Tier 4



STANDARD FEATURES

ENGINE

- Mitsubishi® MVS4L2-W464ML
- 4 cylinders
- Naturally aspirated
- Displacement: 107 in³ (1.75 L)
- EPA Final Tier 4
- Power @ 1,800 rpm – hp (kW):
 - Prime: 22.39 (16.7)—with fan
 - Standby: 24.27 (18.1)—with fan

Fuel System

- Fuel tank capacity – gal (L):
 - Total: 56 (212)
 - Usable: 56 (212)
- Fuel consumption @ prime – gal/h (L/h):
 - 25% load: 0.57 (2.16)
 - 50% load: 0.65 (2.46)
 - 75% load: 0.98 (3.71)
 - 100% load: 1.35 (5.11)
- Maximum run time @ 100% load: 43 h

Cooling System

- Capable of operating at 120 °F (49 °C) ambient
- Coolant capacity: 11.6 qt (10.98) L
- Oil filter: Full flow, spin-on type
- Air filter: Dry type

GENERATOR

- 60 Hz engine-driven alternator
- Marathon® 333CSA3024
 - Brushless
 - 4-pole
 - Insulation: Class F
- Voltage regulation $\pm 1\%$ with Marathon SE350 voltage regulator
- Voltages available: 120, 240

System Outputs

- Electrical power output :
 - 1-phase standby:
14 kW (14 kVA)—58 A @ 240 V
 - 1-phase prime:
13 kW (13 kVA)—54 A @ 240 V

ELECTRICAL CONTROLS

- 70 A main breaker
- Convenience receptacles with individual breakers
 - Two 120 V, 20 A, GFCI, duplex outlets (NEMA 5-20R type)
 - Two 240 V, 30 A, twistlock outlets (NEMA L6-30R type)
 - Two 240 V, 50 A, twistlock outlets (Non-NEMA 6369)
- One 12 V, 770 CCA, wet cell battery

ENCLOSURE

- 14-gauge steel
 - UV and fade resistant, high temperature cured, white polyester powder paint
 - Insulated and baffled
 - 71 dB(A) @ 23 ft (7 m) @ prime power
- Fully lockable
- Emergency stop switch
- Central lifting point
- Multi-lingual operating and safety decals
- Document holder with owner's manual – includes AC and DC wiring diagrams

TRAILER

- One 2,200 lb (998 kg) leafspring axle
- 2 in (51 mm) ball hitch
- Transportation tie downs
- Safety chains with spring loaded safety hooks
- Tongue jack with footplate – 2,000 (998 kg)
- Tires: ST205/75R15, 6-ply, tubeless
- DOT approved lights: Tail, side, brake, and directionals
- Illuminated license plate holder

SYSTEM CONTROLS

- Key-activated switch with four positions (GLOW PLUG, OFF, RUN, START)
- Hour meter

WARRANTY

- 2 year limited or 2,000 hours
 - Unlimited hours covered in first year

CERTIFICATIONS

- CSA certified

MLG15 | 1.8 L | 13 kVA

MOBILE DIESEL GENERATOR SET

EPA Emissions Certification: Final Tier 4

GENERAC® | **MOBILE**

OPTIONS*

ENGINE SYSTEM

- 10 A battery charger
- Lockable battery disconnect

COLD CLIMATE

- Liquid containment/quiet pack
- 60/40 coolant (60% ethylene glycol)
- Lower radiator hose - engine heater
- Heated fuel filter

TRAILER

- Combo hitch (2 in. ball with 2-1/2 in. ring)
- 2 in. Bulldog hitch
- 2-5/16 in. ball hitch
- 3 in. lunette ring
- Spare tire and carrier
- Rear stabilizer jacks

CABINET

- 5 lb fire extinguisher

STORAGE

- Toolbox, black poly—49 in×15 in×18.5 in
- Toolbox, aluminum—49 in×15 in×18.5 in

LoJack

- Vehicle recovery system



*Consult factory for availability

RATING DEFINITIONS

Standby: Applies to varying emergency load for the duration of a utility power outage.

Prime: Applies to supplying power to a varying load in lieu of utility for an unlimited amount of running time.

MLG15 | 1.8 L | 13 kVA

MOBILE DIESEL GENERATOR SET

EPA Emissions Certification: Final Tier 4



APPLICATION AND ENGINEERING DATA

ENGINE SPECIFICATIONS

General

Make (Model)	Mitsubishi® (MVS4L2-W464ML)
EPA Emissions Compliance	Final Tier 4
Cylinders: Configuration-Qty	Inline-4
Displacement: in ³ (L)	107 (1.75)
Bore: in (mm)	3 (78)
Stroke: in (mm)	3.62 (92)
Compression Ratio	22:1
Intake Air Method	Naturally aspirated

Engine Governing

Governor	Electronic
Frequency Regulation (Steady State)	±1%

Lubrication System

Oil Pump Type	Trochid
Oil Filter Type	Full-flow, spin-on cartridge
Crankcase Capacity: qt (L)	6.34 (6)

Cooling System

Cooling System Type	Radiator
Water Pump Type	Belt driven
Fan Type	Pusher
Fan Speed: rpm	2,300
Fan Diameter: in (mm)	14.17 (360)
Coolant System Capacity: qt (L)	11.6 (10.98)

Fuel System

Fuel Type	Ultra low sulfur diesel
Fuel Specifications	ASTM diesel fuel oil No.2-D (JIS K2204 gas oil specification No.2 or 3)
Fuel Filtering: μ	20 at 100% efficiency
Fuel Injection Pump	in-line type (ND-PFR M type)
Fuel Pump Type	Engine driven – [gear or belt]
Injection Type	Throttle type
Fuel Supply Line Diameter: in (mm)	0.312 (7.9)
Fuel Return Line Diameter: in (mm)	0.188 (4.7)

Engine Electrical System

System Voltage: VDC	12
Battery Charger Alternator	12 V – 65 A STD
Battery: CCA	720
Battery: V (Qty)	12 (1)
Ground Polarity	Negative (-)

ALTERNATOR SPECIFICATIONS

Make (Model)	Marathon® (333CSA3024)
Poles: Qty	4
Field Type	Rotating
Insulation Class—Rotor	F
Insulation Class—Stator	F
Total Harmonic Distortion (THD)	<12%
Standard Excitation	Brushless

Bearings	Single
Coupling	Flexible disc
Prototype Short Circuit Test	Yes
Voltage Regulator Type	Analog
Quantity of Sensed Phases	1
Regulation Accuracy (Steady State)	±1%

MLG15 | 1.8 L | 13 kVA

MOBILE DIESEL GENERATOR SET

EPA Emissions Certification: Final Tier 4



OPERATING DATA

POWER RATINGS

	Standby: KW/kVA (A)	Prime: KW/kVA (A)
1-phase, 120/240 VAC @ 1.0 pf	14/14 (58) @ 240 V	13/13 (54) @ 240 V

FUEL CONSUMPTION RATES

Load	Fuel: gal/hr (L/hr) @ Prime
25%	0.57 (2.16)
50%	0.65 (2.46)
75%	0.98 (3.71)
100%	1.35 (5.11)

Deration – Operational characteristics consider maximum ambient conditions. Derate factors may apply under atypical site conditions.

Please consult a Generac Mobile Authorized Service Dealer for additional details. All performance ratings in accordance with ISO3046, BS5514, ISO8528, ISO8665, ISO3046, SAE J1228, SAE J1995, and DIN6271 standards.

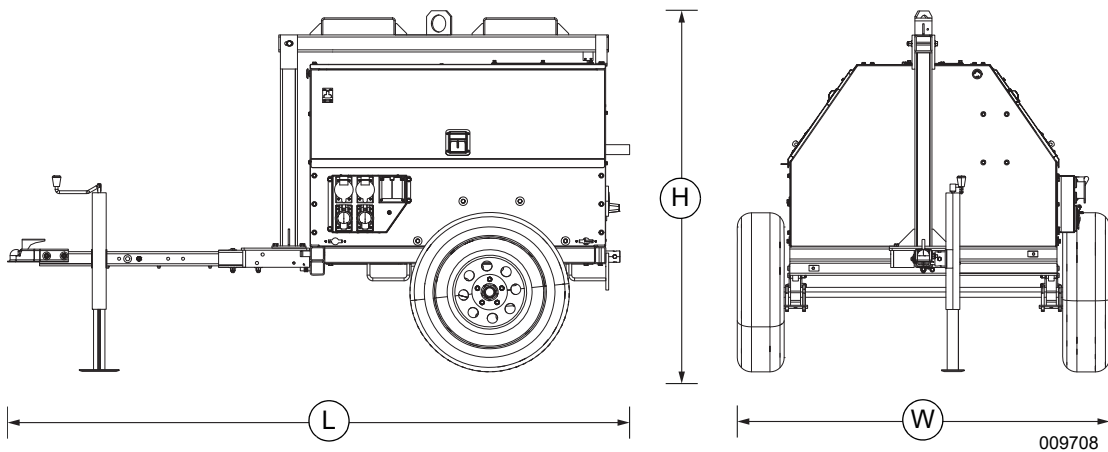
MLG15 | 1.8 L | 13 kVA

MOBILE DIESEL GENERATOR SET

EPA Emissions Certification: Final Tier 4



DIMENSIONS AND WEIGHTS*



Run Time: hr	Usable Fuel Capacity: gal (L)	Dimensions – L×W×H: in (m)	Weight: lb (kg)
43	56 (212)	105×68×56 (2.68×1.73×1.42)	Dry: 1,470 (666) Operating: 1,845 (836)

* All measurements are approximate and for estimation purposes only.

YOUR FACTORY RECOGNIZED GENERAC MOBILE DEALER

Specification characteristics may change without notice. Dimensions and weights are for preliminary purposes only. Please consult a Generac Mobile Authorized Service Dealer for detailed installation drawings.