

# CTF-10 LED LIGHT TOWER



**GENERAC**® | **MOBILE**

# CTF-10 LED LIGHT TOWER

The ideal solution for long-term illumination of medium to large sized working areas, the CTF-10 stationary LED light tower features a compact, durable chassis for maximum space saving and transportation efficiency. Powered by utility power, this best in class unit provides reliable lighting, with minimal operating costs and no scheduled maintenance.

## NO ENGINE

- No scheduled maintenance
- No engine emissions
- Silent operation
- Power from utility power, mobile generator or a diesel light tower

## LINKABLE

- Optional linking configuration for maximum versatility in lighting

## STATIONARY

- Stable skidded design with leveling outriggers
- Minimizes unauthorized relocation and tampering
- Ideal for long-term applications

## EASY TO USE

- Integrated fork pockets and central lifting eye for loading and unloading
- Easy to set up, saving time and manpower

## VERSATILE

- Power from 120V/15A or 20A utility power source, mobile generator or a diesel light tower

## SAFE

- Produces zero localized emissions
- Safe to use indoors and out



## COMPACT FOOTPRINT

Saves on transportation costs

## SECURE STORAGE

For tools and accessories





### LIGHT FIXTURES

(4) 240W individually adjustable LED fixtures provide powerful, reliable lighting

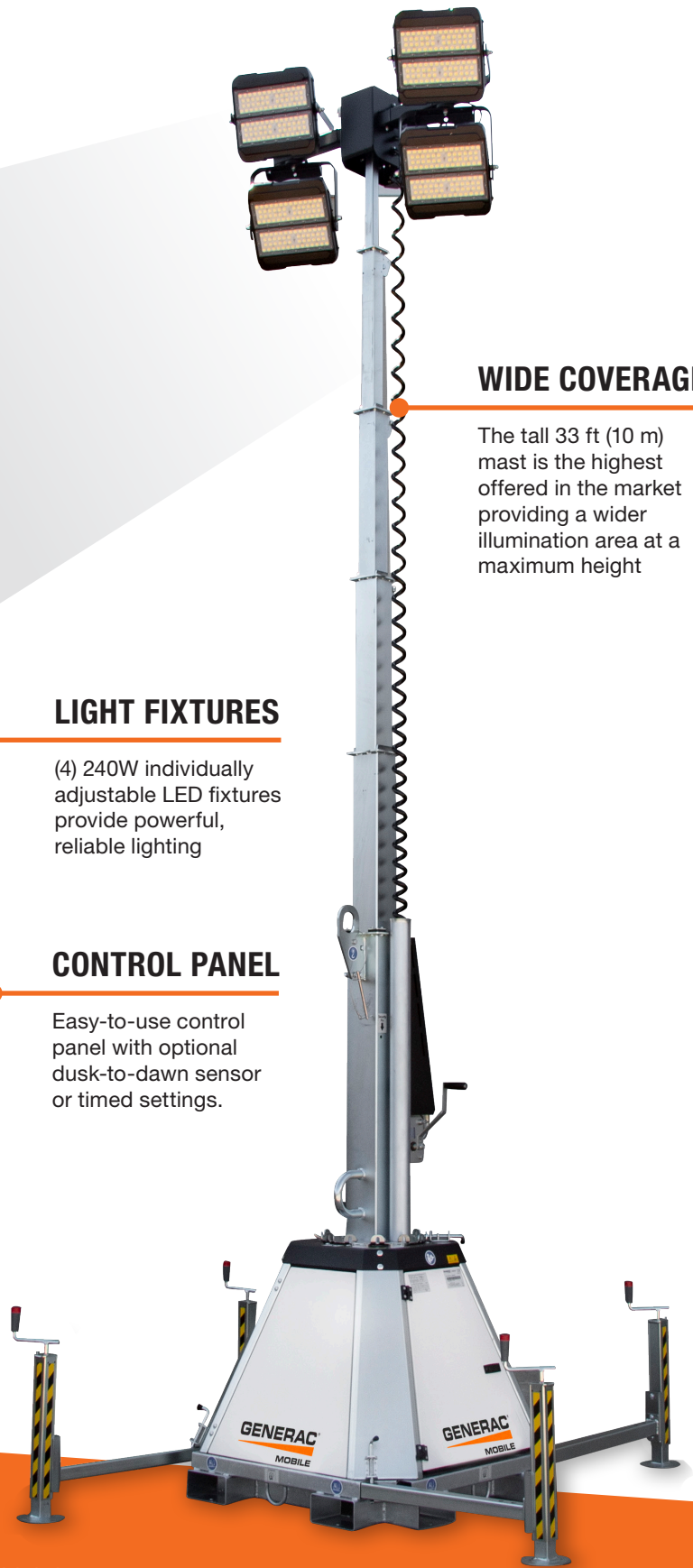


### CONTROL PANEL

Easy-to-use control panel with optional dusk-to-dawn sensor or timed settings.

### WIDE COVERAGE

The tall 33 ft (10 m) mast is the highest offered in the market providing a wider illumination area at a maximum height



## APPLICATIONS

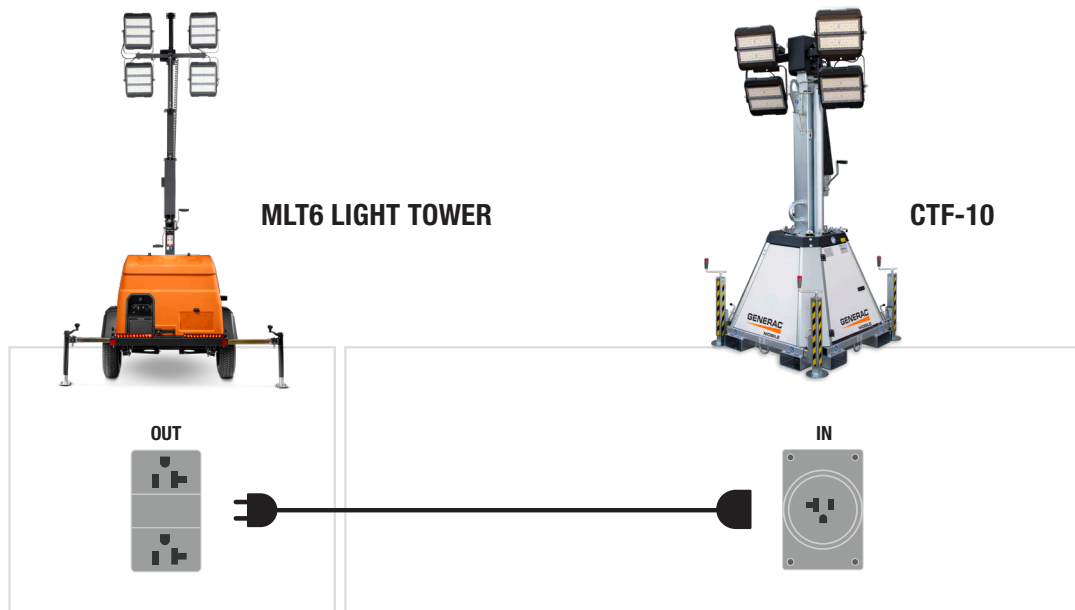
- Music and Special Events
- Industrial Plants
- Manufacturing
- Warehousing
- Worksite Lighting
- Sporting Events
- Parking Lot Lighting
- Municipal Projects
- Auto Dealers
- Construction
- General Rental

## SPECIFICATIONS - CTF-10 LED LIGHT TOWER

Technical Data	USA (Metric)
Light Fixtures	(4) 240W LED
Type	LED
Total lumens Lm	139,200
Max Mast Height ft (m)	33 (10)
Winch	Manual
Outlet V/A	120/15 GFCI, Duplex (Nema 5-20R)
Inlet V/A	120/15 (Nema 5-15R), 120/20 (Nema 5-20P)
Minimum Dimensions L x W x H in. (mm)	46 x 46 x 101 (1150 x 1150 x 2552)
Maximum Dimensions L x W x H in. (mm)	75 x 75 x 394 (1903 x 1903 x 10000)
Dry Weight lb (kg)	849 (385)
Wind Speed Rating mph (kph)	49 (80)

## CORD OPTIONS

Generac Mobile offers a comprehensive line of power distribution accessories. For a complete list of these accessories including extension cords recommended for use with our electric light towers visit [GeneracMobileProducts.com](http://GeneracMobileProducts.com).



Graphic shown as an example - extension cords sold separately.



Generac Power Systems  
S45W29290 WI-59, Waukesha, WI 53189

[GeneracMobileProducts.com](http://GeneracMobileProducts.com)  
800-926-9768 | +1 920-361-4442

201901443 REV 03/22

©2022 Generac Power Systems. All rights reserved.  
Specifications are subject to change without notice.