

P03618

4550 / 3650 WATT RECOIL START
GAS PORTABLE GENERATOR
EPA AND CARB CERTIFIED

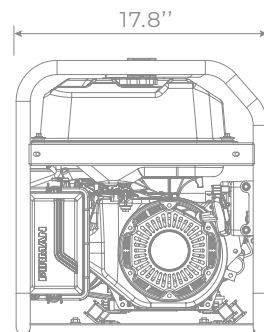
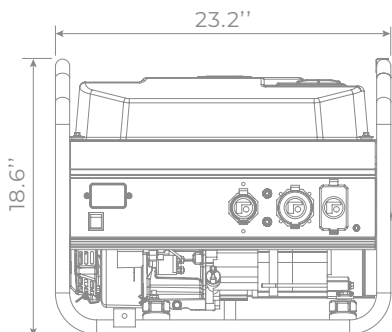
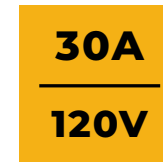
FIRMAN[®]
POWER EQUIPMENT

8716 WEST LUDLOW DR. SUITE #6
PEORIA, AZ 85381
1-844-347-6261
WWW.FIRMANPOWEREQUIPMENT.COM

UPC // 840876136188
STARTING WATTS // 4550
RUNNING WATTS // 3650
VOLTAGE // 120V
FREQUENCY // 60Hz
ENGINE TYPE // OHV
STARTING SYSTEM // RECOIL
FUEL TANK SIZE // 5.0 GAL
RUN-TIME // UP TO 14 HRS (@50% LOAD)
DECIBLES // 67 dB (@7m @50% LOAD)
CARTON L×W×H // 24" × 18.1" × 19.9"
GROSS WEIGHT // 110 LBS.
UNIT WEIGHT // 101.5 LBS.
UNITS PER PALLET // 16
UNITS PER CONTAINER // 336 / 40HQ

CONTROL PANEL

(2) 5-20R 20A-120V
(1) TT-30R 30A-120V RV READY
(1) L5-30R 30A-120V TWIST LOCK



BEST USED FOR





FIRMAN

3650

FIRMAN Digital Display 3650-0
0 1 2 3 4 5 6 7 8 9

OFF I ON

4550 **3650**
STARTING WATTS
VATIOS DE ARRANQUE
POISSANCE DE DÉMARRAGE

3650
RUNNING WATTS
VATIOS DE CONTINUOS
POISSANCE DE FONCTIONNEMENT

120VAC 20A

120VAC 20A RV

120VAC 20A

FIRMAN
Model 3650-0
Serial No. 210180451057
Date of Manufacture: 12/15/15
Warranty: 3 Years / 300 Hours
FIRMAN Power Equipment Co.
10000 S. Bascom Ave., Suite 100
San Jose, CA 95128
Tel: 408-255-1234
www.firmanpower.com

FIRMAN
SF210180451057

Read the manual before using the generator. Always use proper safety practices. Do not use the generator in an enclosed space. Do not use the generator to power medical equipment. Do not use the generator to power a car. Do not use the generator to power a refrigerator. Do not use the generator to power a freezer. Do not use the generator to power a microwave. Do not use the generator to power a television. Do not use the generator to power a computer. Do not use the generator to power a printer. Do not use the generator to power a scanner. Do not use the generator to power a fax machine. Do not use the generator to power a copier. Do not use the generator to power a shredder. Do not use the generator to power a hole saw. Do not use the generator to power a drill. Do not use the generator to power a sander. Do not use the generator to power a router. Do not use the generator to power a planer. Do not use the generator to power a jointer. Do not use the generator to power a table saw. Do not use the generator to power a circular saw. Do not use the generator to power a reciprocating saw. Do not use the generator to power a chainsaw. Do not use the generator to power a blower. Do not use the generator to power a trimmer. Do not use the generator to power a brush cutter. Do not use the generator to power a stump puller. Do not use the generator to power a trencher. Do not use the generator to power a post hole digger. Do not use the generator to power a concrete vibrator. Do not use the generator to power a concrete pump. Do not use the generator to power a concrete mixer. Do not use the generator to power a concrete curing compound. Do not use the generator to power a concrete sealer. Do not use the generator to power a concrete finisher. Do not use the generator to power a concrete screed. Do not use the generator to power a concrete trowel. Do not use the generator to power a concrete float. Do not use the generator to power a concrete edger. Do not use the generator to power a concrete jointer. Do not use the generator to power a concrete saw. Do not use the generator to power a concrete breaker. Do not use the generator to power a concrete jackhammer. Do not use the generator to power a concrete chisel. Do not use the generator to power a concrete hammer. Do not use the generator to power a concrete nail. Do not use the generator to power a concrete screw. Do not use the generator to power a concrete anchor. Do not use the generator to power a concrete wedge. Do not use the generator to power a concrete plug. Do not use the generator to power a concrete cap. Do not use the generator to power a concrete nut. Do not use the generator to power a concrete washer. Do not use the generator to power a concrete spacer. Do not use the generator to power a concrete shim. Do not use the generator to power a concrete pad. Do not use the generator to power a concrete block. Do not use the generator to power a concrete brick. Do not use the generator to power a concrete tile. Do not use the generator to power a concrete paver. Do not use the generator to power a concrete curb. Do not use the generator to power a concrete curb cap. Do not use the generator to power a concrete curb stop. Do not use the generator to power a concrete curb tie. Do not use the generator to power a concrete curb cap. Do not use the generator to power a concrete curb stop. Do not use the generator to power a concrete curb tie. Do not use the generator to power a concrete curb cap. Do not use the generator to power a concrete curb stop. Do not use the generator to power a concrete curb tie.