

FIRMAN®

OWNER'S MANUAL PARALLEL KIT



MODEL NUMBER
1005
Rev Level:00

IMPORTANT: Read all safety precautions and instructions carefully before operating equipment.



Record product information to reference when ordering parts or obtaining warranty coverage.



**DO NOT RETURN TO
STORE!**



CALL US FIRST!
CUSTOMER HOTLINE
1-844-347-6261

FOR QUESTIONS OR SERVICE
INFORMATION

Serial Number: _____

Purchase Date: _____

P/N:360747009 Rev:00

Table of Contents

Introduction	1
Important Safety Information	1
Assembly And Operation	2
Controls And Feature	3
Parts Diagram and List	4
Service Information	5
Warranty	5

INTRODUCTION

Thank you for purchasing a FIRMAN product.

This manual contains safety information to make you aware of the hazards and risks associated with this product and how to avoid them. This product is designed and intended only for supplying electrical power for operating compatible electrical lighting, appliances, tools and motor loads, and is not intended for any other purpose. It is important that you read and understand these instructions thoroughly before attempting to start or operate this equipment.

Save these original instructions for future reference.

This manual covers operation and maintenance of the FIRMAN parallel kit. All information in this publication is based on the latest production information available at the time of approval for printing. The manufacture reserves the right to change, alter or other wise improve the parallel kit and this documentation at any time without prior change.

Important Safety Information

WARNING

READ AND UNDERSTAND ALL INSTRUCTIONS.

Failure to follow all instructions listed below may result in electric shock, fire and/or serious injury.

WARNING

To reduce the risk of injury, user must read and understand the operator's manual for their generator and this instruction sheet. Ensure compatibility and fit before using any accessory. Do not use an accessory if a part is damaged or missing. If you are not comfortable performing any of the functions described in these instructions, take your unit to an authorized service center.

- **This product is for outdoor use only.**
- **Do not connect or disconnect parallel kit while generator is running. Doing so can cause permanent damage not covered under warranty.**
- **Do not get the product wet.** Do not use if this product is exposed to moisture.
- **Do not disassemble.** This product has no userserviceable parts.
- **As with all electrical devices, use caution when plugging and unplugging this unit into an outlet or plugging/unplugging other devices into this unit.** Do not force this unit into an outlet. Do not force plugs into this unit.
- **If required, use only certified approved extension cords with this product.**
- **If this product is used in a manner not specified by the manufacturer, the protection provided by this equipment may be impaired.**
- **Do not overload the parallel kit.** The kit can supply a maximum of 30 Amps at 120 Volt or 3600 Watts per outlet depending on the rating of the inverter generators.
- **Do not parallel more than two inverter generators.**
- **Link two inverter generators together for 90-95% of the sum of the two inverter wattage rating (depends on the models).**
- **Save these instructions.** Refer to them frequently and use them to instruct others who may use this product. If you loan someone this product, loan them these instructions also.
- **Use only FIRMAN inverters or paralleling.**

CALIFORNIA PROPOSITION 65

WARNING

This product may contain chemicals, including lead, known to the State of California to cause cancer, birth defects or other reproductive harm. Wash hands after handling.

ASSEMBLY AND OPERATION

This kit is intended for use on FIRMAN Power Equipment Inverter Generators.

Please refer to your Inverter Owner's Manual for safety rules, start up and shut down procedures, specifications and troubleshooting.

Setup and Operation

1. Align the inverters in the same direction at a minimum of 20 in. [50 cm] apart.

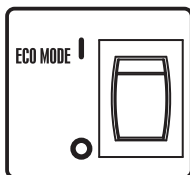
WARNING

If not spaced apart, the exhaust heat from one unit may discolor or melt the plastic on the other unit.

2. Inverters to be **TURNED OFF** and all electrical loads **DISCONNECTED** before installing parallel kit.

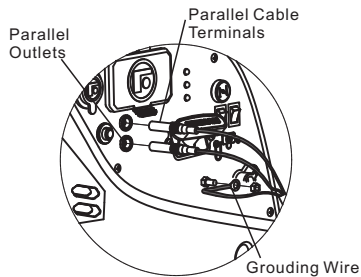
NOTE: Do not connect or disconnect the parallel kit while the inverters are running.

3. The **ECO** switch must be in the same position on both generators.

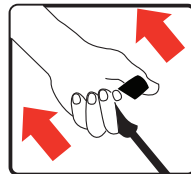


4. On each inverter:

- Remove the parallel outlet covers and plug parallel cable terminals into parallel outlets.
- Loosen nuts on grounding terminals and attach ground wire to ground terminal in each inverter. Tighten securely.

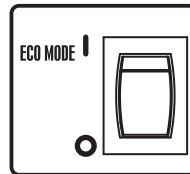


5. Turn on both inverters. See inverter owner's manual for starting instruction.

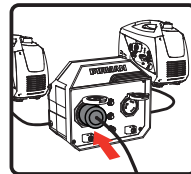


Make sure the green output indicator light comes on for each inverter.

6. The **ECO** switch must be in the same position on both generators before applying any load.



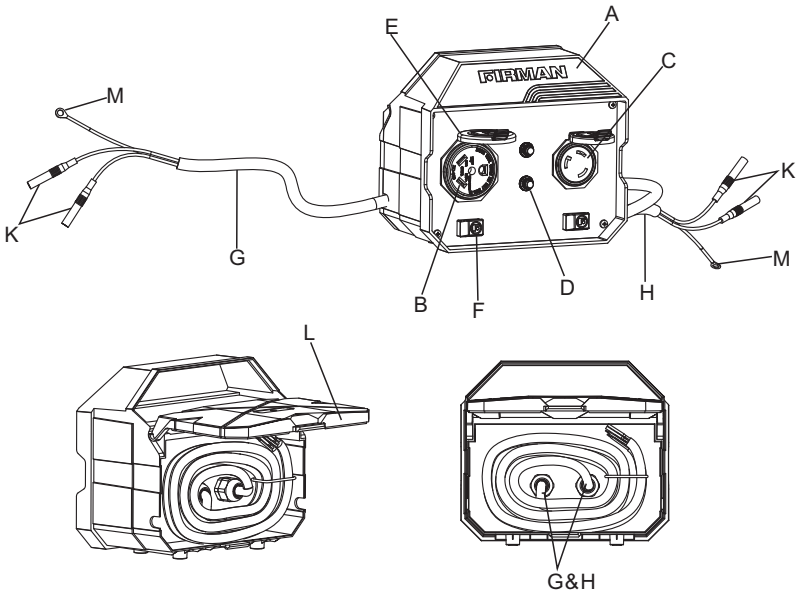
7. Plug in the 120 Volt AC, single phase, 60Hz electrical loads into parallel kit receptacles and turn on first load. Allow generator output to stabilize before plugging in the next load.



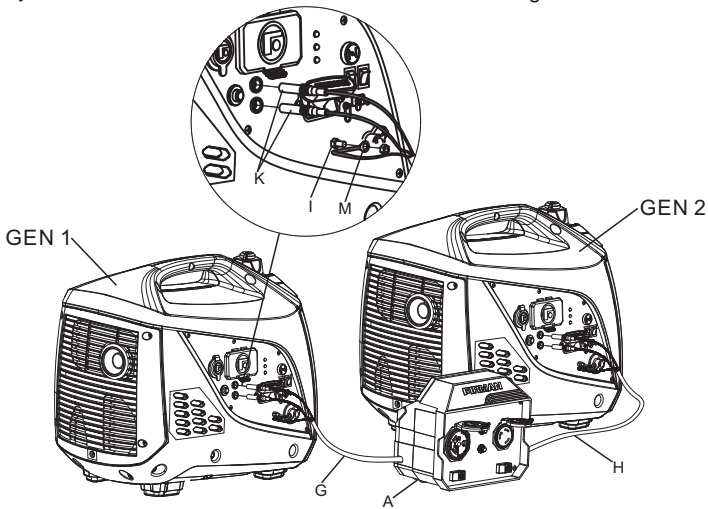
NOTE: It is strongly recommended to plug in devices with the largest output first and the smallest output last to help prevent overloading the inverters. Do not exceed maximum wattage rating of inverters, parallel kit and receptacles.

8. When finished, turn off the inverter generators per owner's manual instructions and then disconnect the parallel kit.

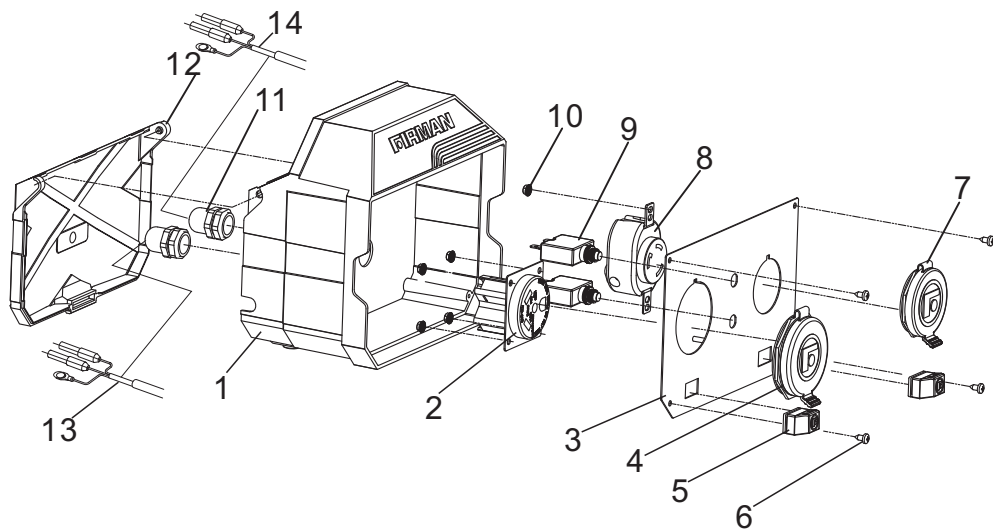
CONTROLS AND FEATURE



- A - Parallel kit
- B - 120 Volt AC 30 Amp receptacle (TT-30R) RV
- C - 120 Volt AC 30 Amp (L5-30R) Twist Lock
- D - Circuit Breakers
- E - Outlet Cover
- F - LED Assy
- G - Parallel Cable GEN 1
- H - Parallel Cable GEN 2
- I - Ground Terminal
- K - Parallel Cable Terminal
- L - Back Cover
- M - Grounding Wire



Parts Diagram and List



NO.	Part Number	Description	Qty.
1	360723001	Parallel Box	1
2	336713584	Receptacle TT-30R	1
3	360713015	Parallel Box Panel	1
4	336713574	Outlet Cover TT-30R	1
5	360457020	LED Assy	2
6	921100054	Screw #06-20*0.38"	4
7	336713573	Outlet Cover L5-30R	1
8	360757012	Receptacle L5-30R	1
9	370750025	Circuit Breaker Amp 30A	2
10	922100013	Nut M4	6
11	360727004	Cable Holder	2
12	360723002	Back Cover	1
13	360757007	Parallel Cable GEN 1	1
14	360757006	Parallel Cable GEN 2	1

SERVICE INFORMATION

**CONTACT THE
FIRMAN
PRODUCT SERVICE
DEPARTMENT AT
1-844-347-6261**

**or at www.firmangenerators.com
to obtain warranty service
information or to order
replacement parts or
accessories.**

HOW TO ORDER REPLACEMENT PARTS

Even quality built equipment such as the parallel kit you have purchased might need occasional replacement parts to maintain it in good condition over the years. To order replacement parts, please give the following information:

1. Model No. ,Rev. Level and Serial No. and all specifications shown on the Model No./Serial No. plate.
2. Parts number or numbers as shown in the Parts List section.
3. A brief description of the trouble with the generator.

REGISTER YOUR PRODUCT

Register your Firman generator online at www.firmangenerators.com

WARRANTY

FIRMAN ONE (1) Year Limited Warranty

Warranty Qualifications

FIRMAN Power Equipment will register the warranty upon receipt of your Warranty Registration Card and a copy of your sales receipt from one of FIRMAN's retail locations as proof of purchase. Please submit your warranty registration and your proof of purchase within ten (10) days of the date of purchase.

Repair/Replacement Warranty

FIRMAN warrants to the original purchaser that the mechanical and electrical components will be free of defects in material and workmanship for a period of one (1) year (parts and labor) from the original date of purchase 120 days [parts and labor] for commercial & industrial use. Transportation charges on product submitted for repair or replacement under this warranty are the sole responsibility of the purchaser. This warranty only applies to the original purchaser and is not transferable.

Do Not Return the Unit to the Place of Purchase

Contact the FIRMAN Service Center and FIRMAN will troubleshoot any issue via phone or e-mail. If the problem is not corrected by this method, FIRMAN will, at its option, authorize evaluation, repair or replacement of the defective part or component at a FIRMAN Service Center. FIRMAN will provide you with a case number for warranty service. Please keep it for future reference. Repairs or replacements without prior authorization, or at an unauthorized repair facility, will not be covered by this warranty.

Warranty Exclusions

This warranty does not cover the following repairs and equipment:

Normal Wear

Your product needs periodic parts and service to perform well. This warranty does not cover repair when normal use has exhausted the life of a part or the equipment as a whole.

Installation, Use and Maintenance

This warranty will not apply to parts and/or labor if your product is deemed to have been misused, neglected, involved in an accident, abused, loaded beyond the equipment limits, modified, installed improperly or connected incorrectly to any electrical component.

Normal maintenance is not covered by this warranty.

Other Exclusions

This warranty excludes:

- cosmetic defects such as paint, decals, etc.
- wear items
- accessory parts
- failures due to acts of God and other force majeure events beyond the manufacturer's control
- problems caused by parts that are not original FIRMAN parts

Limits of Implied Warranty and Consequential Damage

FIRMAN disclaims any obligation to cover any loss of time, use of this product, freight, or any incidental or consequential claim by anyone from using this product. THIS WARRANTY IS IN LIEU OF ALL OTHER WARRANTIES, EXPRESS OR IMPLIED, INCLUDING WARRANTIES OF MERCHANTABILITY OR FITNESS FOR A PARTICULAR PURPOSE.

A unit provided as an exchange will be subject to the warranty of the original unit. The length of the warranty governing the exchanged unit will remain calculated by reference to the purchase date of the original unit.

This warranty gives you certain legal rights which may change from state to state. Your state may also have other rights you may be entitled to that are not listed within this warranty.

Contact Information

You may contact FIRMAN at:

Address

Firman Power Equipment
Attn: Customer Service
14131 N Rio Vista Blvd, Suite 9
Peoria, AZ 85381
www.firmangenerators.com

*We are FIRMAN POWER - And we are here for you.
Customer Service Desk - 1-844-347-6261(844-FIRMAN1)
6am PST(9am EST) until 8pm EST(5pm PST)
Technical Service Desk - 1-844-347-6261(844-FIRMAN1)
6am PST(9am EST) until 8pm EST(5pm PST)
24/7 Tech Support - 1-844-347-6261(844-FIRMAN1)*

Firman Power Equipment Inc.

14131 N Rio Vista Blvd, Suite 9
Peoria, AZ 85381

www.firmangenerators.com