

P08004

10000 / 8000 WATT REMOTE / ELECTRIC / RECOIL START
GAS PORTABLE GENERATOR
EPA AND cETL CERTIFIED

FIRMAN[®]
POWER EQUIPMENT

8716 WEST LUDLOW DR. SUITE #6
PEORIA, AZ 85381
1-844-347-6261

WWW.FIRMANPOWEREQUIPMENT.COM

UPC // 840876180044

STARTING WATTS // 10000

RUNNING WATTS // 8000

VOLTAGE // 120 / 240V

FREQUENCY // 60Hz

ENGINE TYPE // OHV

STARTING SYSTEM // REMOTE / ELECTRIC / RECOIL

FUEL TANK SIZE // **8.0 GAL**

RUN-TIME // UP TO 12 HRS (@50% LOAD)

DECIBLES // 74 dB (@7m @50% LOAD)

CARTON L×W×H // 31.9" × 22.1" × 24.4"

GROSS WEIGHT // 230.5 LBS.

UNIT WEIGHT // 210.3 LBS.

UNITS PER PALLET // 4 / 2

UNITS PER CONTAINER // 188 / 40HQ

CONTROL PANEL

(2) 5-20R 20A-120V

(1) 14-50R 50A-120/240V

(1) L14-30R 30A-120/240V

(1) L5-30R 30A-120V



REMOTE
HOLDER



REMOTE
START/STOP



AVR
VOLT-LOCK



4 IN 1
DATA
MINDER

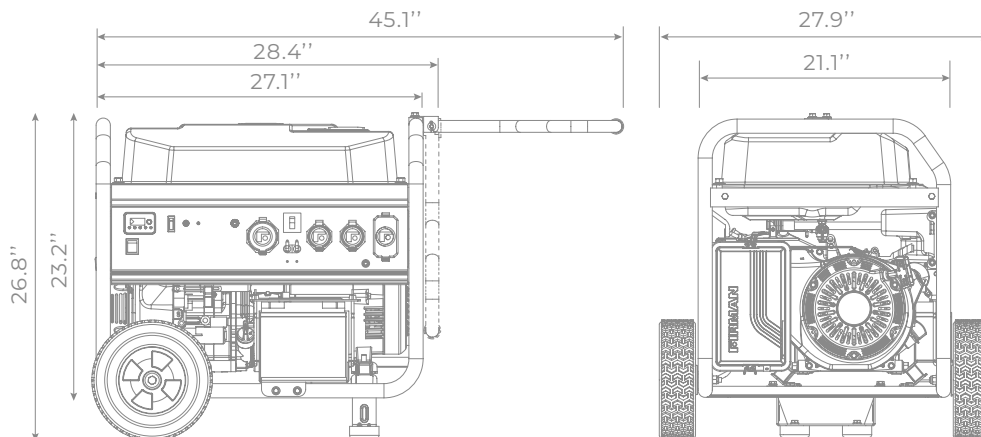
50A

120/240V

12-HR



RUNS RV AIR
CONDITIONER



BEST USED FOR





FIRMAN 8000

FIRMAN 8000
START/STOP
ON/OFF

10000 **8000**
STARTING WATTS
VATIOS DE ARRANQUE
POISSANCE DE DEMARRAGE

8000
RUNNING WATTS
VATIOS DE CONTINUOS
POISSANCE DE FONCTIONNEMENT

NEUTRAL BONDED TO FRAME
NEUTRO CONECTADO AL CHASIS
NEUTRE MIS À LA MASSE À LA CARCASSE DU NOTEU

120/240 VAC 20A

120/240 VAC 30A

120 VAC 30A

120 VAC 20A

FIRMAN

12V 15Ah/20HR

CAUTION:

- Maintenance free, no water or electrolyte supply.
- Do not overcharge.
- Keep the unit and do not expose to hot environment.
- Charge the battery 4 hours by charger with 4A current, or manual start the generator to run for several hours if the generator running time is less than 10 hours with in three months.

RoHS
CE
RECYCLED
Pb