

WH03041

GAS: 3300 / 3000 WATT - LPG: 3000 / 2700 WATT RECOIL START
DUAL FUEL INVERTER PORTABLE GENERATOR
EPA CARB AND cETL CERTIFIED

FIRMAN
POWER EQUIPMENT

8716 WEST LUDLOW DR. SUITE #6
PEORIA, AZ 85381
1-844-347-6261

WWW.FIRMANPOWEREQUIPMENT.COM

UPC // 840876130414

GAS STARTING / RUNNING WATTS // 3300 / 3000

LPG STARTING / RUNNING WATTS // 3000 / 2700

VOLTAGE // 120V

FREQUENCY // 60Hz

ENGINE TYPE // OHV

STARTING SYSTEM // RECOIL

FUEL TANK VOLUME // 1.8 GAL

RUN-TIME // UP TO 10 HRS (@25% LOAD)

DECIBLES // 58 dB (@7m @25% LOAD)

CARTON L×W×H // 28.7" × 18.9" × 19.3"

GROSS WEIGHT // 108 LBS.

UNIT WEIGHT // 90 LBS.

UNITS PER PALLET // 16

UNITS PER CONTAINER // 256 / 40HQ

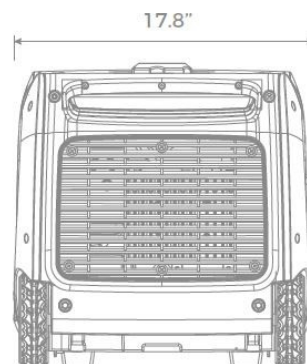
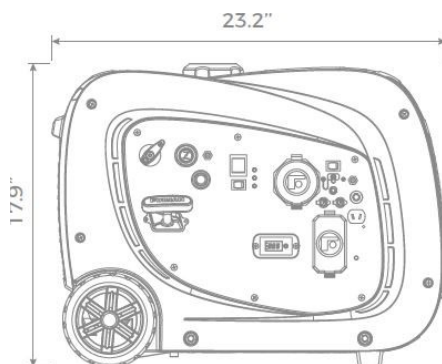
CONTROL PANEL

(2) 5-20R 20A-120V

(1) TT-30R 30A-120V RV READY

(1) DC OUTLET 8.3A-12V

(1) USB OUTLET 2.1A-5V



BEST USED FOR

