

T08071

GAS: 10000 / 8000 WATT - LPG: 9050 / 7250 WATT - NG: 6900 / 5500 WATT
50A 120/240V ELECTRIC START TRI FUEL PORTABLE GENERATOR
EPA AND CARB CERTIFIED

FIRMAN[®]
POWER EQUIPMENT

8716 WEST LUDLOW DR. SUITE #6
PEORIA, AZ 85381
1-844-347-6261

WWW.FIRMANPOWEREQUIPMENT.COM

UPC // 840876175712

GAS STARTING / RUNNING WATTS // 10000 / 8000

LPG STARTING / RUNNING WATTS // 9050 / 7250

LPG STARTING / RUNNING WATTS // 6900 / 5500

VOLTAGE // 120 / 240V

FREQUENCY // 60Hz

ENGINE TYPE // OHV

STARTING SYSTEM // ELECTRIC / RECOIL

FUEL TANK SIZE // 8.0 GAL

RUN-TIME (GAS) // UP TO 12 HRS (@50% LOAD)

DECIBLES // 72 dB (@7m @75% LOAD)

CARTON L×W×H // 32.1" × 22.2" × 24.4"

GROSS WEIGHT // 230 LBS.

UNIT WEIGHT // 212 LBS.

UNITS PER PALLET // 4

UNITS PER CONTAINER // 188 / 40HQ

BONUS // HOSE HOLDER

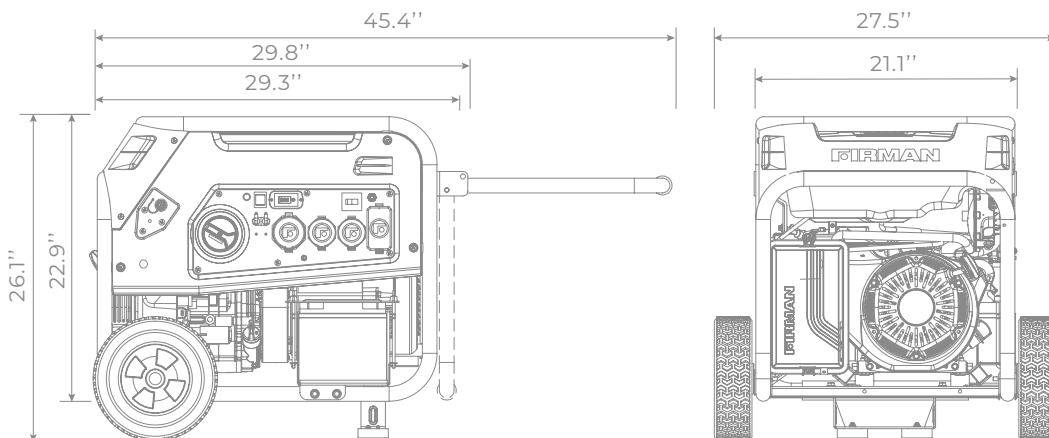
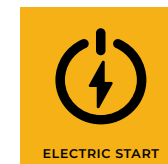
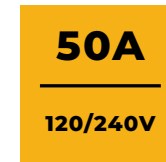
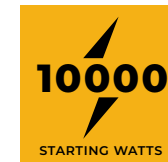
CONTROL PANEL

(2) 5-20R 20A-120V GFCI

(1) 14-50R 50A-120/240V

(1) L14-30R 30A-120V/240V TWIST LOCK

(1) L5-30R 30A 120V TWIST LOCK



BEST USED FOR



FIRMAN

TRI FUEL
GENERATOR

FIRMAN®

T08071



Fuel Selector Switch
Interruptor Selector de Combustible
Carburent Selector

NEUTRAL SWITCH TO PREVENT
STARTING THE GENERATOR
WHILE THE FUEL VALVE IS IN
CLOSURE POSITION

10000 TOTAL RUN TIME HORAS DE EJECUCIÓN TOTAL	9050 TOTAL RUN TIME HORAS DE EJECUCIÓN TOTAL	6900 TOTAL RUN TIME HORAS DE EJECUCIÓN TOTAL
8000 TOTAL RUN TIME HORAS DE EJECUCIÓN TOTAL	7250 TOTAL RUN TIME HORAS DE EJECUCIÓN TOTAL	5500 TOTAL RUN TIME HORAS DE EJECUCIÓN TOTAL



15AMP AC 120V
20AMP AC 120V
30AMP AC 120V
USB 5V 2.1A

FIRMAN®

12V 15Ah/20HR

CAUTION:

- Maintenance free, no water or electrolyte supply.
- Do not overcharge.
- Keep the away and do not expose to hot environment.
- Charge the battery 4 hours by charger with 4A current, or manual start the generator to use for several hours if the generator running time is less than 10 hours each at three months.

