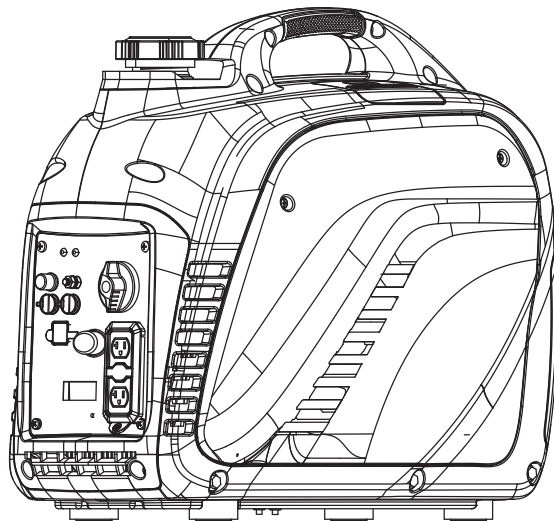




User Manual

iGen2800c

Digital Inverter Generator



DO NOT RETURN THIS PRODUCT TO THE STORE
If you have questions or need assistance, please call customer service at 855-944-3571.

TABLE OF CONTENTS

Introduction.....	2-3
Safety	4-9
Electrical.....	10
Components	11-12
Assembly.....	12
Operation.....	13-18
Maintenance	19-24
Troubleshooting.....	25
Schematics.....	26
Service hotline/Company address.....	Back Page

INTRODUCTION

⚠ WARNING Operating, servicing, and maintaining this equipment can expose you to chemicals including engine exhaust, carbon monoxide, phthalates, and lead, which are known to the State of California to cause cancer and birth defects or other reproductive harm. To minimize exposure, avoid breathing exhaust, and wear gloves or wash your hands frequently when servicing this equipment. For more information go to www.P65warnings.ca.gov.

DISCLAIMERS

All information, illustrations, and specifications in this manual were in effect at the time of publishing. The illustrations used in this manual are intended as representative reference views only. We reserve the right to make any specification or design change without notice.

ALL RIGHTS RESERVED

All rights reserved. No reproduction allowed in any form without written permission from Westinghouse Outdoor Power Equipment.

⚠ DANGER Read this manual before using or performing maintenance on this product. Failure to follow the instructions and safety precautions in this manual can result in serious injury or death.

UPDATES

The latest User Manual for your Westinghouse products can be found under our support tab. wpowereq.com/pages/manuals

Or scan the following QR code with your smartphone camera to be directed to the link.



PRODUCT REGISTRATION

For trouble-free warranty coverage, it is important to register your Westinghouse product.



You can register by:

- Completing and mailing the product registration card included in the carton.
- Registering your product on-line at: wpowereq.com/pages/warranty-registration
- Scanning the above QR code with your smartphone camera to be directed to the mobile registration link.

For Your Records

Date of Purchase: _____

Model Number: _____

Serial Number: _____

Place of Purchase: _____

- Sending the following product information to:

Westinghouse Outdoor Power

Warranty registration
777 Manor Park Drive
Columbus, OH 43228

IMPORTANT: Keep your purchase receipt for trouble-free warranty coverage.

INTRODUCTION

SPECIFICATIONS

AC Voltage.....	120V	Fuel Capacity.....	0.98 gallons (3.7 liters)
Power (Running).....	2,200W	Oil Capacity	11.8 oz. (.4 liters)
Power (Peak).....	2,800W	Oil Type	SAE 10W-30
Rated Voltage.....	120V	Spark Plug	E6RTC
Frequency.....	60 Hz	Spark Plug Gap	0.024–0.032 in. (0.60–0.80 mm)
Phase	Single	Valve Intake Clearance.....	0.0031 – 0.0047 in. (0.08 – 0.12 mm)
RPM.....	5,000	Valve Exhaust Clearance	0.0051 – 0.0067 in. (0.13 – 0.17 mm)
Power Factor	1.0	AC Grounding System.....	floating neutral
Insulation Class	F		
Maximum Ambient Temperature	104°F (40°C)		
Fuel Type.....	Unleaded gasoline (87–93 Octane)		

Do not use E15 or E85 fuel in this product.

NOTICE

This product is designed and rated for continuous operation at ambient temperatures between 23°F (–5°C) and 104°F (40°C). If needed, this product can be operated in extremely hot or extremely cold temperatures for short periods. If the product is exposed to extreme temperatures during storage, it should be brought back within the optimal temperature range before operation. This product must always be operated outdoors in a well-ventilated area and far away from doors, windows, and other vents.

Maximum wattage and current are subject to and limited by such factors as fuel BTU content, ambient temperature, altitude, engine conditions, etc. Maximum power decreases about 3.5% for each 1,000 feet above sea level, and will also decrease about 1% for each 10°F (6°C) above 60°F (16°C) ambient temperature.

NOTICE

The effect of altitude on horsepower will be greater if no carburetor modification is made. A decrease in engine horsepower will decrease the power output of the generator. Contact our service team to order altitude kits.

NOTICE

Thank you for choosing Westinghouse! PLEASE READ BEFORE RETURNING THIS PRODUCT FOR ANY REASON.

If you have a question or experience a problem with your Westinghouse purchase, call us at 1-855-944-3571 to speak with an agent.

SAVE THIS MANUAL FOR FUTURE REFERENCE.

HAVE QUESTIONS?
Email us at service@wpowerreq.com
or call 1-855-944-3571

SAFETY

SAFETY DEFINITIONS

The words DANGER, WARNING, CAUTION, and NOTICE are used throughout this manual to highlight important information. Make sure that the meanings of this safety information is known to all who operate, perform maintenance on, or are near the generator.



This safety alert symbol appears with most safety statements. It means attention, become alert, your safety is involved! Please read and abide by the message that follows the safety alerts symbol.

DANGER Indicates a hazardous situation which, if not avoided, will result in death or serious injury.

WARNING Indicates a hazardous situation which, if not avoided, could result in death or serious injury.

CAUTION Indicates a hazardous situation which, if not avoided, could result in minor or moderate injury.

NOTICE Indicates a situation which can cause damage to the generator, personal property, and/or the environment, or cause the equipment to operate improperly.

NOTE: Indicates a procedure, practice or condition that should be followed for the generator to function in the manner intended.

SAFETY SYMBOLS

Follow all safety information contained in this user's manual as well as the information on the product labeling.

SYMBOL	DESCRIPTION
	Safety Alert Symbol
	Fire Hazard
	Electrical Shock Hazard
	Burn Hazard. Do not touch hot surfaces.
	Asphyxiation Hazard
	Do Not Operate in Wet Conditions
	Read Manufacturer's Instructions
	Maintain Safe Distance
	Ground. Consult with electrician to determine grounding requirements before operation.
	Carbon Monoxide

SAFETY

IMPORTANT SAFETY INSTRUCTIONS

⚠ DANGER Generator exhaust contains high levels of carbon monoxide (CO), an invisible, odorless, and extremely poisonous gas. If you smell exhaust fumes, you are breathing carbon monoxide. But, even if you do not smell exhaust fumes you may be inhaling CO.

ONLY operate generators outside, in a well-ventilated area. NEVER operate generators indoors, doing so CAN KILL YOU IN MINUTES.

• **Correct Use** – Only use generators outside and downwind, far away from windows, doors and vents. Always direct exhaust away from occupied spaces. Always install battery-powered carbon monoxide detectors or plug-in carbon monoxide detectors with battery back-up in living areas. *See Figure 1.*

• **Incorrect Use** – NEVER use a generator in your home, garage, basement, attic, crawl space or any other fully or partially enclosed area. Areas such as these can allow dangerous levels of carbon monoxide to accumulate. An open door or a running fan WILL NOT provide adequate ventilation. *See Figure 2.*

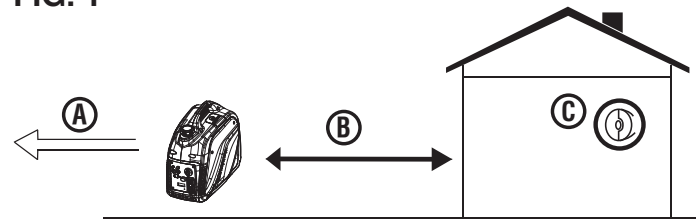
If you start feeling dizzy, weak, or sick while using the generator, move to fresh air immediately. Contact a doctor. You may be experiencing carbon monoxide poisoning.

⚠ DANGER Fire and electrocution hazard. Do not connect to a building's electrical system unless the generator and a transfer switch have been properly installed and the electrical output has been verified by a qualified electrician. The connection must isolate the generator power from utility power and must comply with all applicable laws and electrical codes. Failure to properly isolate the generator power could cause property damage and create a dangerous backfeed of electricity which could kill or seriously injure utility workers.

⚠ DANGER Electrocution hazard. NEVER use the generator in a location that is wet or damp. NEVER expose the generator to rain, snow, water spray, or standing water while in use. Protect the generator from all hazardous weather conditions. Moisture or ice can cause a short circuit or other malfunction in the electrical circuit.

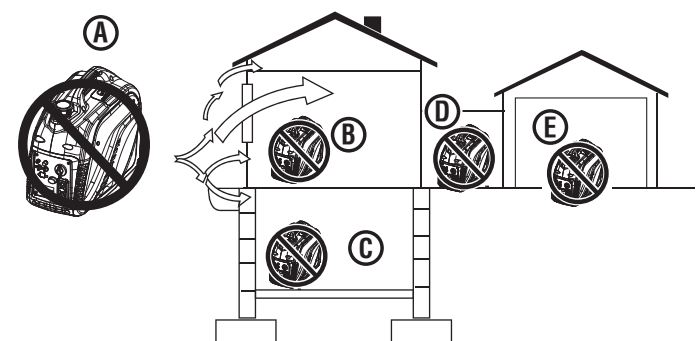
⚠ WARNING Familiarize yourself with all the instructions, safety warnings, illustrations, and specifications provided with this product. Failure to follow the manufacturer's instructions may result in electric shock, fire, and/or carbon monoxide poisoning that can lead to death or serious injury.

FIG. 1



- A - Exhaust (CO)
- B - Only use OUTSIDE and FAR AWAY from windows, doors, and vents
- C - CO detectors in living areas

FIG. 2



- A - Exhaust (CO)
- B - Living area
- C - Basement crawlspace
- D - Entryway/Porch/Mudroom
- E - Garage

NOTICE Install battery-powered carbon monoxide detectors or plug-in carbon monoxide detectors with battery back-up in living areas.

- This product should ONLY be used outdoors.
- NEVER use a generator in your home, garage, basement, attic, crawl space or any other fully or partially enclosed area. Areas such as these can allow dangerous levels of carbon monoxide to accumulate. Carbon monoxide (CO), an invisible, odorless, and extremely poisonous gas CAN KILL YOU IN MINUTES.
- Only use OUTSIDE and far away from windows, doors, and vents as recommended by the US Department of Health and Human Services Centers for Disease Control and Prevention. Your specific home and/or wind conditions may require additional distance.
- The National Electrical Code requires the use of a transfer switch or other suitable transfer equipment whenever a portable generator is connected to a building's electrical system. Transfer switches isolate generator power from utility power and prevent backfeeding of electric power into the utility system.

NOTE: A transfer switch must be installed by a qualified electrician in accordance with applicable electrical codes. Some jurisdictions may require the installation to be inspected by local authorities. Keep all relevant installation, inspection, and maintenance information.

SAFETY

- Never use the generator to power medical support equipment.
- Never expose the generator to rain, snow, water spray, or standing water while in use. Store and operate the unit in a dry or covered (but not enclosed) location.
- Do not let children or untrained individuals operate the generator.
- Keep children, bystanders, and pets a minimum of 10 ft. away from a running generator.
- Maintain Safe Distance. While operating and storing, keep at least five feet of clearance on all sides of the generator, including overhead. Turn the unit off and allow it to cool a minimum of 30 minutes before storage. Heat created by the muffler and exhaust gases could be hot enough to cause serious burns and/or ignite combustible objects.
- Do not operate the unit in areas where combustible or hazardous materials are stored including gasoline and natural gas filling stations.
- Do not operate the generator while barefoot, with wet hands or feet, while standing in water or in wet conditions.
- Do not use this unit when you are tired or under the influence of drugs, alcohol, or medication.
- Burn Hazard. Do not touch hot surfaces.
- Do not contact the muffler or engine. They are very HOT and will cause severe burns. Do not put body parts or any flammable or combustible materials in the direct path of the exhaust.
- Keep hands, fingers, feet, and other body parts away from all moving parts of the generator.
- Do not connect worn or damaged electrical cords to the generator. NEVER touch frayed or exposed wires.
- Do not operate the generator on an incline. The unit should always be placed on a flat stable surface.
- Check the physical condition of the product prior to each use. Look for loose bolts, fluid leaks, and other signs of wear. Replace all damaged items. For replacement parts or assistance, contact our customer service team.
- For optimal performance, use the generator in temperatures between 23°F (−5°C) and 104°F (40°C) with a maximum relative humidity of 90%.
- Before starting the generator, check all fluids (oil and gasoline).
- Do not remove the oil dipstick or fuel cap when the generator is running.
- Securely tighten the oil dipstick after adding oil and the fuel cap after adding gasoline.
- Avoid skin contact with engine oil or gasoline. Wear protective clothing and equipment. Wash all exposed skin with soap and water. Prolonged skin contact with gasoline or engine oil may cause severe skin irritation and other adverse reactions.
- Generator's vibrate and bounce during normal operation. Check the generator and all of the cords connected to it

for any damage that may have resulted from the vibration. Replace or repair damaged items as needed. Do not use the generator or any items that show signs of damage.

- All electrical tools and appliances operated from this generator must be properly grounded by use of a third wire or be double-insulated.
- Before transporting the generator, disconnect the spark plug boot, drain the fuel tank and properly restrain the unit.
- Fuel or oil may leak from the generator during transport. Place a towel, plastic sheet, or absorbent pad beneath the unit to protect your vehicle.
- To prolong the life of this product, follow the instructions in the *Maintenance* section of this manual.
- Replace damaged or worn items with recommended or equivalent replacement parts. Using an incorrect or incompatible part might create a hazard that could result in serious personal injury.
- Always remove any tools or other service equipment used during maintenance away from the generator before operating.

GROUNDING

See Figure 3.

WARNING

Shock hazard. Failure to properly ground the generator can result in electric shock.

NOTICE

Only use grounded 3-prong extension cords, tools, and appliances, or double-insulated tools and appliances.

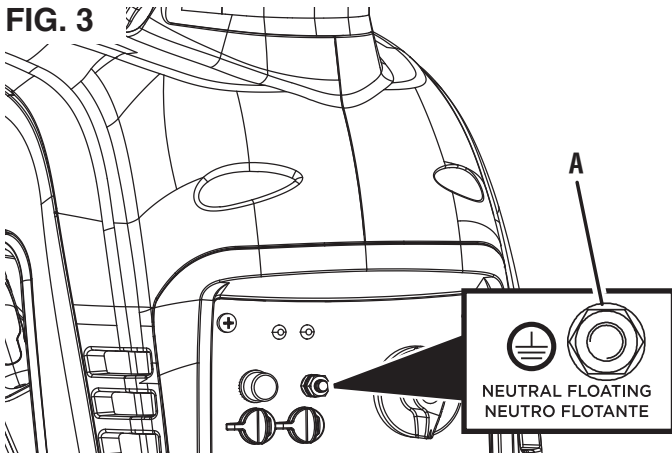
The generator neutral is floating. The generator ground terminal is connected to the frame of the generator, the metal non-current-carrying parts of the generator, and the ground terminals of each receptacle. The generator (stator winding) is isolated from the frame and from the AC receptacle ground pin. Electrical devices that require a grounded receptacle pin connection may not function properly.

If this generator will be used only with cord and plug equipment connected to the receptacles mounted on the generator, National Electric Code does not require that the unit be grounded. However, other methods of using the generator may require grounding to reduce the risk of shock or electrocution.

Before using the ground terminal, consult a qualified electrician, electrical inspector, or local agency having jurisdiction for local codes or ordinances that apply to the intended use of the generator.

SAFETY

FIG. 3



A - Ground terminal

SAFETY PRECAUTIONS FOR GASOLINE AND GASOLINE VAPOR



DANGER

Fire and explosion hazard. Gasoline is highly explosive and flammable and can cause severe burns or death.



WARNING

Fire and Burn Hazard. NEVER loosen or remove the fuel cap while the generator is running. Turn the unit off and allow it to cool for at least five minutes before adding gasoline. Loosen the fuel cap slowly.



WARNING

In case of a gasoline fire, do not attempt to extinguish the flame unless the engine/fuel control switch is in the OFF position. Introducing an extinguisher to a generator with an open fuel switch could create an explosion hazard.

- Fire Hazard. Gasoline is highly flammable. Handle with care.
- Never use gasoline as a cleaning agent.
- Gasoline is a skin irritant and needs to be cleaned up immediately if it comes in contact with the skin.
- Do not store gasoline near furnaces, water heaters, or any other appliances that produce heat or have automatic ignitions.

- Keep gasoline away from sparks, open flames, pilot lights, heat, and other sources of ignition.
- Store any containers containing gasoline in a well-ventilated area, away from any combustibles or source of ignition.
- ALWAYS store gasoline in a container approved for gasoline. Unapproved containers can break or deteriorate allowing gasoline or gasoline vapors to escape which can create a serious hazard.
- Gasoline has a distinctive odor, this will help detect potential leaks quickly.
- Gas vapors can cause a fire if ignited.
- Do not smoke when handling fuel, adding fuel to the generator, or emptying the gas tank.
- Wear eye protection while refueling.
- Before adding fuel to the generator, turn the unit off and allow it to cool a minimum of five minutes. If necessary, move the unit to level ground.
- Do not remove the fuel tank cap when the generator is running.
- Loosen the fuel cap slowly to safely release pressure, keep gasoline from escaping around the cap, and to avoid the heat from the muffler igniting fuel vapors.
- NEVER fill the generator's gasoline tank beyond the maximum fill ring on the fuel screen. Keeping gasoline levels at or below the fill ring will allow for fuel expansion. Overfilling the fuel tank can result in a sudden overflow of gasoline and result in spilled gasoline coming in contact with HOT surfaces.
- Spilled fuel can ignite. Wipe up spills immediately and allow area to dry before operating the generator. NEVER attempt to burn off spilled fuel.
- Securely tighten the fuel cap after adding gasoline.
- Do not cover the fuel cap while the generator is in operation. Covering the cap may cause the engine to fail or damage the product.
- Drain fuel before storing the unit. Store the unit and the fuel separately in well-ventilated areas away from sparks, open flames, pilot lights, heat, and other sources of ignition.
- Turn the unit off and allow it to cool a minimum of 30 minutes before draining fuel.

SAFETY

IMPORTANT INFORMATION FOR THE CO SENSOR

The CO Sensor monitors for the accumulation of poisonous carbon monoxide gas around the generator when the engine is running. If increasing levels of CO gas are detected, the CO Sensor automatically shuts down the engine.

The CO Sensor will also detect the accumulation of carbon monoxide from other fuel burning sources used in the area of operation. For example, if the exhaust of fuel burning tools is pointed at a CO Sensor-equipped generator, a shut-off may be initiated due to rising CO levels. This is not an error. Hazardous carbon monoxide has been detected. Move and redirect any additional fuel burning sources to dissipate carbon monoxide away from personnel and occupied buildings.

NOTE: Remote start-equipped generators must be restarted with the START/STOP button on the control panel after an automatic shut-down occurs.

Generators are intended to be used outdoors, far from occupied buildings and the exhaust pointed away from personnel and buildings. If misused and operated in a location that results in the accumulation of CO, like in a partially enclosed area, the CO Sensor shuts off the engine and the RED indicator light will flash notifying the user that there are unsafe levels of carbon monoxide.

If the generator shuts off and the RED indicator light flashes, leave the area immediately. Wait for the carbon monoxide to dissipate and the RED indicator light to turn off before returning to the affected area. Once it is safe to return, read the Action Label for further steps to take. The CO Sensor **DOES NOT** replace carbon monoxide alarms. Install battery-powered carbon monoxide alarm(s) in your home.

⚠ WARNING Automatic shutoff accompanied with a flashing RED light in the CO Sensor portion of the control panel is an indication that the generator was improperly located which allowed carbon monoxide to accumulate to unsafe levels. If you start to feel sick, dizzy, weak, or carbon monoxide detectors in your home indicate an alarm, get to fresh air immediately. Call emergency services. You may have carbon monoxide poisoning.

UNDERSTANDING THE CO SENSOR'S INDICATOR LIGHTS

See Figure 4.



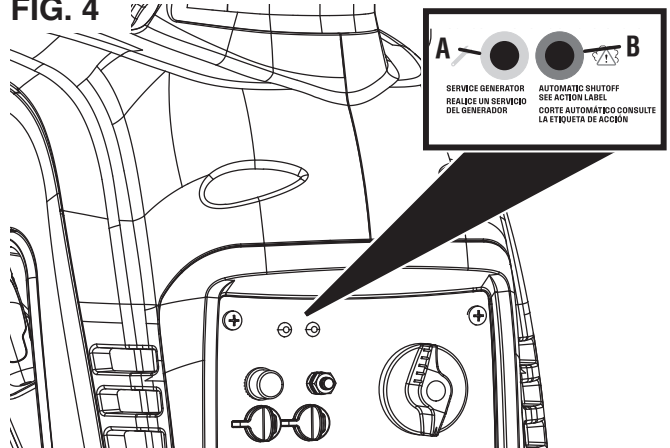
COLOR	DESCRIPTION
<p>RED</p> 	<p>Unsafe levels of carbon monoxide accumulated around the generator. After shut-off, the RED indicator light in the CO Sensor area of the control panel will flash to provide notification that the generator was shut-off due to carbon monoxide levels rising above a safe threshold. The RED light will flash for at least five minutes after a CO shut-off.</p> <p>When it is safe to do so, move the generator to an open, outdoor area far away from occupied spaces with exhaust pointed away. Once relocated to a safe area and the red light is off, the generator can be restarted. Introduce fresh air and ventilate the area where the generator had shut down.</p>
<p>YELLOW</p> 	<p>A CO sensor system fault occurred. When a system fault occurs, the generator is automatically shut down and the YELLOW indicator light in the CO auto-shutoff area of the control panel will flash to provide notification that a fault has occurred. The YELLOW light will flash for at least five minutes after a fault. The generator can be restarted but may continue to shutoff. A CO sensor fault can only be diagnosed and repaired by an authorized Westinghouse service center.</p>

FIG. 4



A - Service Generator LED
B - Automatic Shutoff LED

SAFETY

SAFETY LABELS AND DECALS

The following information is on your generator's labels and decals.

① Action Label

If unsafe levels of carbon monoxide accumulate around the generator, automatic shutoff will occur. If the unit shuts off, leave the area immediately. When it is safe to return, do the following:

- Move the generator to an open, outdoor area.
- Point exhaust away.
- Don't run generator in enclosed areas (e.g. not in house or garage).
- Move to fresh air.
- Get medical help if sick, dizzy or weak.
- **WARNING** – Tampering with carbon monoxide sensor could result in hazardous condition.

② Exhaust Direction

Point exhaust away from body parts and flammable or combustible materials.

③ Safety Symbols

(See page 4)

④ Specifications

(See page 3)

⑤ California Proposition 65

Cancer and reproductive harm - www.P65Warnings.ca.gov/product

⑥ Carbon Monoxide

- Using a generator indoors **CAN KILL YOU IN MINUTES**. Generator exhaust contains carbon monoxide. This is a poison you cannot see or smell.
- **NEVER** use inside a home or a garage, **EVEN IF** doors and windows are open.

⑦ Hot Surface

Do not touch.



ACTION LABEL | ETIQUETA DE FUNCIONAMIENTO | ÉTIQUETTE D'ACTION

① AUTOMATIC SHUTOFF - YOU MUST:
ETIQUETA DE FUNCIONAMIENTO:
ÉTIQUETTE D'ACTION:

- MOVE GENERATOR TO AN OPEN, OUTDOOR AREA.
- POINT EXHAUST AWAY.
- DON'T RUN GENERATOR IN ENCLOSED AREAS (E.G. NOT IN HOUSE OR GARAGE).
- MOVER EL GENERADOR A UN ÁREA ABIERTA, EN EXTERIORES
- ORIENTAR EL TUBO DE ESCAPE HACIA AFUERA
- NO ACTIVAR EL GENERADOR EN ÁREAS CERRADAS (P. EJ.: EN UNA CASA O GARAJE)
- DÉPLACER LA GÉNÉRATRICE DANS UN ESPACE EXTÉRIEUR OUVERT
- DIRIGER L'ÉCHAPPEMENT LOIN DE VOUS
- NE PAS FAIRE FONCTIONNER LA GÉNÉRATRICE DANS DES ENDROITS FERMÉS (COMME DANS LA MAISON OU LE GARAGE)

+ MOVE TO FRESH AIR.

+ GET MEDICAL HELP IF SICK, DIZZY OR WEAK.

• MOVER AL AIRE LIBRE

• OBTENER ATENCIÓN MÉDICA SI SE SIENTE ENFERMO, MAREADO O DÉBIL.

• VOUS RETIRER À L'AIR FRAIS

• CONSULTER UN MÉDECIN SI VOUS ÊTES MALADE, ÉTOURDI OU FAIBLE

⚠ WARNING TAMPERING WITH CARBON MONOXIDE SENSOR COULD RESULT IN HAZARDOUS CONDITION
ADVERTENCIA HACER ALTERACIONES CON SENSOR DE MONÓXIDO DE CARBONO PODRÍA OCASIONAR CONDICIONES PELIGROSAS
AVERTISSEMENT L'ALÉRIATION DE CAPTEUR DE MONOXYDE DE CARBONE PEUT ENTRAÎNER DES CONDITIONS DANGEREUSES

④ Model Modelo Modèle	iGen2800c
AC Voltage Voltaje Tension alternative	120V
Running Watts Potencia (nominal) Puissance (en marche)	2200W
Peak Watts Potencia (pico) Puissance (pic)	2800W
AC Current Corriente Courant	18A
DC Voltage Voltaje Tension continue	5V
DC Current Corriente Courant	2x2.1A
Frequency Frecuencia Fréquence	60Hz
Phase Fase Phase	Single Soltero
RPM TR tr/min	up to 5000
Power Factor Factor de potencia Facteur de puissance	1.0
Insul Class Clase de aislamiento Classe d'isolation	F
Max Amb Temp Temperatura máxima Température ambiante max.	40°C (104°F)
Fuel Combustible Carburant	Gasoline Gasolina De l'essence
Fuel Tank Size Tamaño del tanque de combustible Taille du réservoir de carburant	3.7L/1G
Oil Aceite de motor Huile moteur	SAE10W-30
Oil Capacity Capacidad de aceite Capacité d'huile	.37 QT/11.8 OZ/350 ML

FOR ELECTRICAL EQUIPMENT ONLY



⚠ WARNING: Cancer and reproductive harm - www.P65Warnings.ca.gov/product

⚠ AVERTISSEMENT: Cancer et problèmes de reproduction - www.P65Warnings.ca.gov/product

⚠ ADVERTENCIA: Cáncer y daños al sistema reproductor - www.P65Warnings.ca.gov/product

⚠ DANGER

Using a generator indoors **CAN KILL YOU IN MINUTES**. Generator exhaust contains carbon monoxide. This is a poison you cannot see or smell.

NEVER use inside a home or garage, **EVEN IF** doors and windows are open.

⚠ PELIGRO

Si usa un generador en interiores, **MORIRÁ EN POCOS MINUTOS**. El escape del generador contiene monóxido de carbono. Es un veneno que no tiene olor ni se puede ver.

• **NUNCA** lo use dentro de una casa o garaje, **AUN** si las puertas y ventanas están abiertas

• Sólo úsalo **EN EXTERIORES** y lejos de ventanas, puertas y ductos de ventilación.

⚠ DANGER

Utiliser un générateur à l'intérieur **PEUT VOUS TUER EN QUELQUES MINUTES**. Les gaz d'échappement du générateur contiennent du monoxyde de carbone. C'est un gaz toxique invisible et inodore.

• **NE JAMAIS** utiliser à l'intérieur d'une maison ou d'un garage, **MÊME** si les portes et les fenêtres sont ouvertes.

• Utilisez **UNIQUEMENT** à l'EXTÉRIEUR et loin des entrées, portes et ventilations.

ELECTRICAL

GENERATOR CAPACITY

NOTICE Do not overload the generator's capacity. Exceeding the generator's wattage/ampere capacity can damage the generator and/or electrical devices connected to it.

Review the **Specifications** for this generator and record the running (continuous) and peak (starting) watts. In general the higher the wattage, the more devices can be powered at the same time. The total power requirements of all connected devices must be considered. Power requirements are often listed on a device's data label or nameplate.

To determine power requirements:

- Choose the devices you want to power simultaneously.
- Record and total the running (continuous) watts of each device. The generator must continuously produce this amount of wattage to keep the devices running.
- Record the peak (starting) watts for each device. This is the momentary surge of power required to start electric motors in some tools and appliances.
- Select the device with the highest peak (starting) wattage. Add the peak (starting) watts for that device to the total running (continuous) watts for all the connected devices to determine the total peak wattage requirement for the generator.

NOTE: Total peak wattage requirement assumes intermittent starting of devices. Adjust estimate if devices reach peak wattage at the same time.

MANAGING GENERATOR POWER

To extend the service life of the generator, use caution when adding electrical loads. Disconnect all loads before starting the generator. The safest way to manage generator power is to add loads sequentially by doing the following:

- Remove all loads and start the generator as described later in this manual.
- Connect and start the largest device or appliance. Power requirements are often listed on a device's data label or nameplate.
- Allow the generator output to stabilize. Once stable, the engine should run smoothly and the device should function properly.
- Connect and start the next largest device or appliance.
- Allow the generator output to stabilize.
- Repeat this process for each additional load.

EXTENSION CORDS

WARNING Asphyxiation hazard. Extension cords running directly into the home increase the risk of carbon monoxide poisoning through any openings. If an extension cord running directly into your home is used to power indoor items, there is a risk of carbon monoxide poisoning to people inside the home. Always use battery-powered carbon monoxide detector(s) that meet current UL 2034 safety standards when running the generator. Regularly check the detector(s) battery.

WARNING Asphyxiation hazard. When operating the generator with extension cords, make sure the generator is located in an open, outdoor area far away from occupied spaces with exhaust pointed away.

WARNING Fire and electrocution hazard. Never use worn or damaged extension cords. Damaged or overloaded extension cords could overheat, arc, and burn resulting in death or serious injury.

Before connecting an AC appliance or power cord to the generator:

- Use grounded 3-prong extension cords, tools, and appliances, or double-insulated tools and appliances.
- Make sure the tool or appliance is in good working order. Faulty appliances or power cords can create a potential for electric shock.
- Make sure the electrical rating of the tool or appliance does not exceed the rated power of the generator or the receptacle being used.

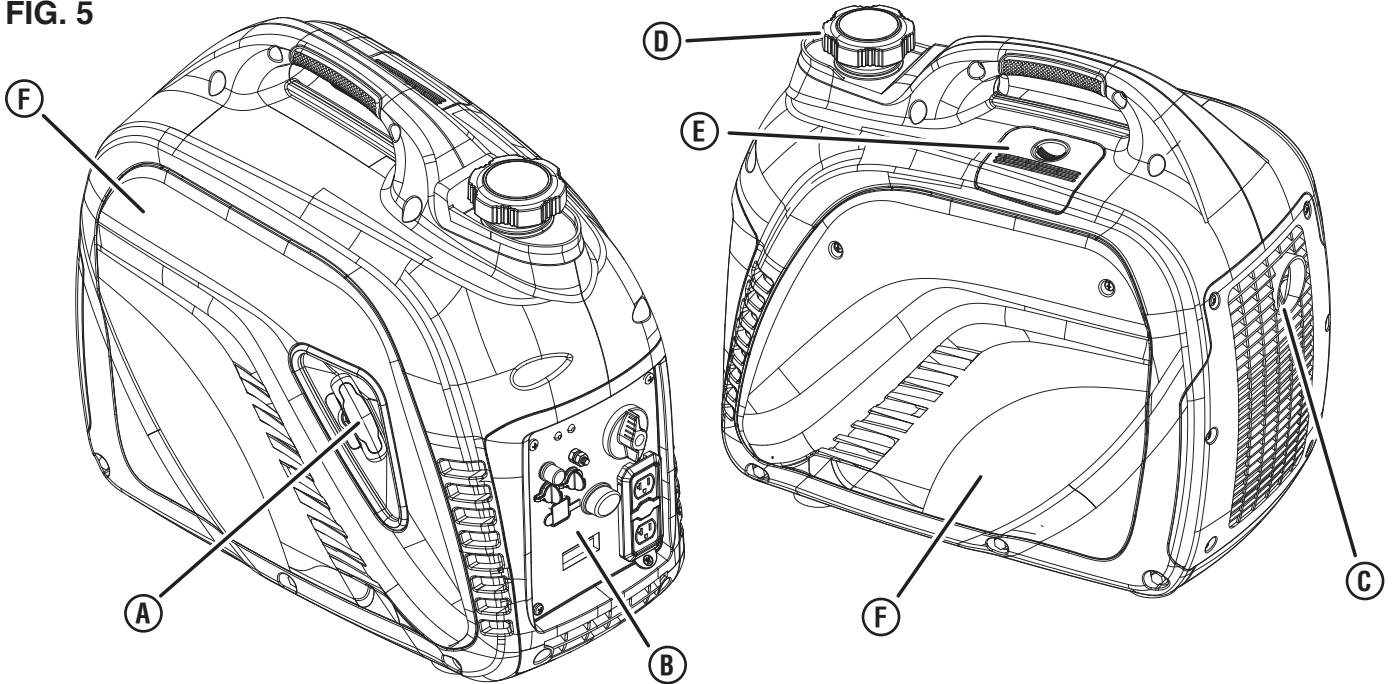
NOTICE Do not exceed the unit's capacity. Overloading the generator's wattage and/or ampere capacity could damage connected devices and critical generator components.

EXTENSION CORD SIZING

Make sure your extension cord can carry the required load. Cables that are too small may cause a voltage drop that can cause the cord to overheat or cause property damage. Refer to the cord manufacturer's guidelines for the appropriate size and length.

COMPONENTS

FIG. 5



A - Recoil starter grip
B - Control panel

C - Muffler/spark arrestor
D - Fuel cap

E - Spark plug access cover
F - Service panel

UNDERSTANDING YOUR GENERATOR

See Figures 5 - 6.

To reduce the risk of injury and product failure, read and understand the information in this user's manual as well as the information on the product labeling.

120 VOLT AC RECEPTACLES

This unit has two 120V, 18A receptacles capable of powering a variety of appliances, tools, and equipment.

CO SENSOR INDICATOR LIGHTS

The CO Sensor monitors for the accumulation of poisonous carbon monoxide gas. If increasing levels of CO gas are detected, the CO Sensor automatically shuts down the engine.

ECO MODE SWITCH

Eco mode minimizes fuel consumption and noise by adjusting the engine RPM to the minimum required for the current load.

FUEL TANK

The generator has a fuel tank with a capacity of 0.98 gallons (3.7 liters).

GROUND TERMINAL

The ground terminal is used to externally ground the generator.

LED DATA CENTER

Toggle to show voltage, frequency, total hour meter, and run/maintenance timer.

MUFFLER AND SPARK ARRESTOR

The spark arrestor prevents sparks from exiting the muffler. It must be removed for servicing.

NOTICE

The spark arrestor is a safety device that prevents sparks from exiting the muffler and creating a fire hazard. In certain locations a spark arrestor may be required by law. It is the operator's responsibility to know and follow all local laws and regulations related to fire prevention requirements.

OIL DIPSTICK

Unscrew the oil dipstick to check oil levels and add oil when needed.

OUTPUT READY LED

Illuminates when the generator is operating normally. Indicates the generator is producing electrical power at the receptacles.

OVERLOAD RESET

The generator inverter will automatically switch OFF all AC output to protect the generator if overloaded or if there is a short circuit in a connected appliance.

RECOIL HANDLE

Use the recoil handle (and the engine/fuel control switch) to start the generator.

SPARK PLUG SERVICE DOOR

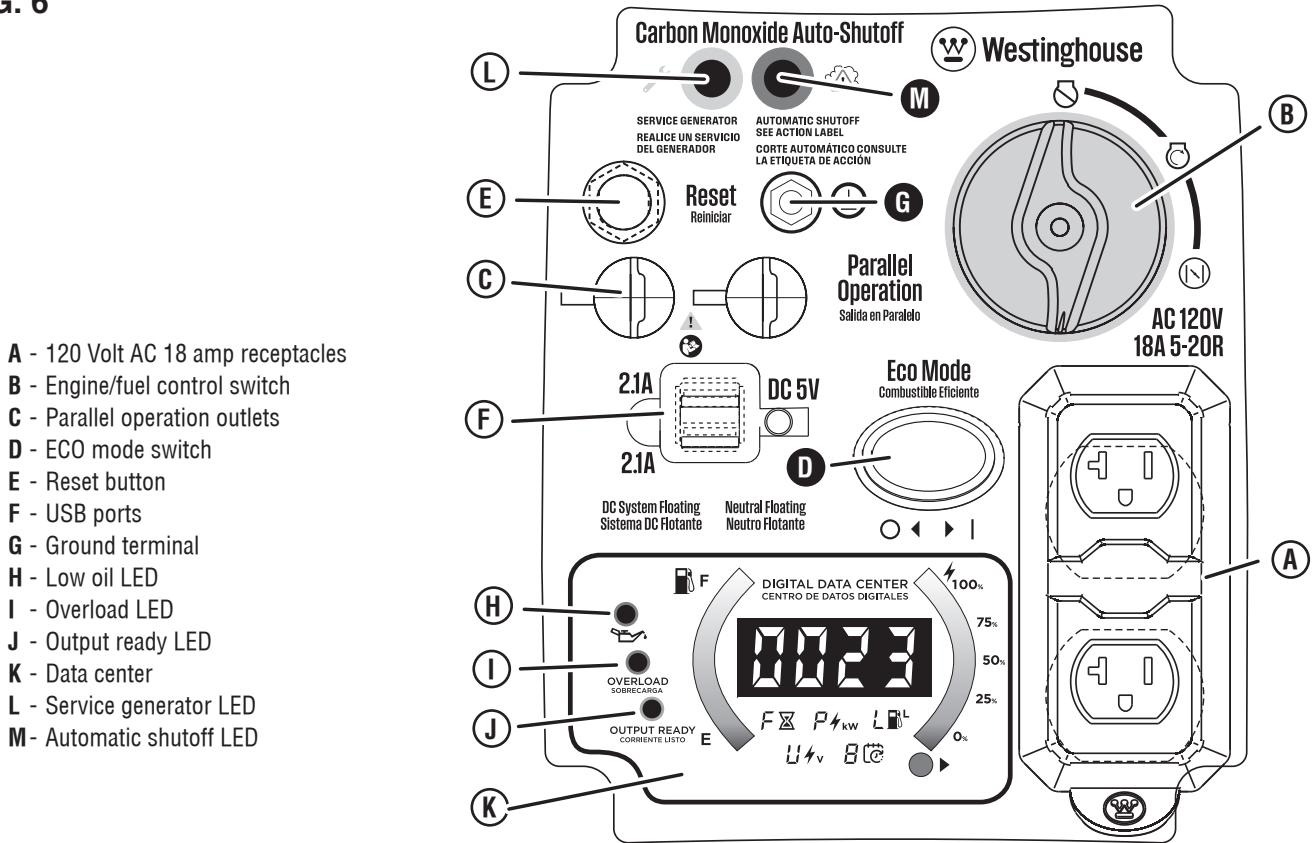
Lift the spark plug service door to access the spark plug.

USB PORTS

Two-port 5V/2.1A USB outlet accepts Type A USB plugs.

COMPONENTS

FIG. 6



ASSEMBLY

REMOVING CARTON CONTENTS

WARNING This product does not require assembly. Do not attempt to operate this product if it is not completely assembled. Using an improperly assembled product can be hazardous and could result in serious personal injury.

- Remove and inspect the carton contents. Verify that all the items in the **INCLUDED LIST** are present and undamaged.
- Recycle or dispose of the packaging materials properly.

INCLUDED LIST

Generator, Engine Oil (SAE 10W 30), Funnel, Spark Plug Socket Wrench, Quick Start Guide, User Manual

If any parts are missing, contact our service team at service@wpowereq.com or call 1-855-944-3571.

WARNING Do not alter or modify this product unless instructed to so in this manual or by the manufacturer. Do not use attachments or accessories that are not recommended for use with this product. Making unauthorized modifications and using incompatible accessories can damage the unit and may void your warranty.

OVERVIEW

This portable generator can provide power to a wide range of items including household appliances, job-site tools, camping equipment, tailgating essentials, and much more.

NOTICE **THIS GENERATOR HAS BEEN SHIPPED WITHOUT OIL.** Do not attempt to crank or start engine before it has been properly serviced with recommended oil. Failure to add engine oil before starting will result in serious engine damage that is not covered under warranty.

OPERATION

⚠ DANGER Generator exhaust contains high levels of carbon monoxide (CO), an invisible, odorless, and extremely poisonous gas. If you smell exhaust fumes, you are breathing carbon monoxide. But, even if you do not smell exhaust fumes you may be inhaling CO.

ONLY operate generators outside, in a well-ventilated area. NEVER operate generators indoors, doing so CAN KILL YOU IN MINUTES.

- **Correct Use** – Only use generators outside and downwind, far away from windows, doors and vents. Always direct exhaust away from occupied spaces. Always install battery-powered carbon monoxide detectors or plug-in carbon monoxide detectors with battery back-up in living areas. *See Figure 1.*
- **Incorrect Use** – NEVER use a generator in your home, garage, basement, attic, crawl space or any other fully or partially enclosed area. Areas such as these can allow dangerous levels of carbon monoxide to accumulate. An open door or a running fan WILL NOT provide adequate ventilation. *See Figure 2.*

If you start feeling dizzy, weak, or sick while using the generator, move to fresh air immediately. Contact a doctor. You may be experiencing carbon monoxide poisoning.

⚠ WARNING Do not alter or modify this product unless instructed to so in this manual or by the manufacturer. Do not use attachments or accessories that are not recommended for use with this product. Making unauthorized modifications and using incompatible accessories can damage the unit and may void your warranty.

NOTICE In certain circumstances, the National Electric Code may require the generator to be grounded to an approved earth. Consult with a qualified electrician to determine grounding requirements before operation.

⚠ WARNING Avoid skin contact with engine oil or gasoline. Wear protective clothing and equipment. Wash all exposed skin with soap and water. Prolonged skin contact with gasoline or engine oil may cause severe skin irritation and other adverse reactions.

NOTICE Check the physical condition of the product prior to each use. Look for loose bolts, fluid leaks, and other signs of wear. Replace all damaged items.

KNOW HOW TO SAFELY LOCATE AND OPERATE YOUR GENERATOR

⚠ DANGER Asphyxiation hazard. Place the generator in a well-ventilated area. DO NOT place the generator near vents or intakes where exhaust fumes could be drawn into occupied or confined spaces. Carefully consider wind and air currents when positioning the generator.

⚠ WARNING Electrocuting hazard. Never use the generator in a location that is wet or damp. Never expose the generator to rain, snow, water spray, or standing water while in use. Protect the generator from all hazardous weather conditions. Moisture or ice can cause a short circuit or other malfunction in the electrical circuit. Using a generator or electrical appliance in wet conditions, such as rain or snow, or near a pool or sprinkler system, or when your hands are wet, could result in electrocution.

⚠ WARNING Fire hazard. Only operate the generator on a solid, level surface. Operating the generator on a surface with loose material such as sand or grass clippings can cause debris to be ingested by the generator that could block cooling vents or the air intake system. Allow the generator to cool for 30 minutes before transport or storage.

- Read and understand all safety information before starting the generator (see pages 4 - 9).
- NEVER use a generator in your home, garage, basement, attic, crawl space or any other fully or partially enclosed area. Areas such as these can allow dangerous levels of carbon monoxide to accumulate. Carbon monoxide (CO), an invisible, odorless, and extremely poisonous gas CAN KILL YOU IN MINUTES.
- DO NOT operate the generator in the back of a SUV, camper, trailer, truck bed (regular, flat, or otherwise), under stairs, next to walls or buildings, or in any other location that will not allow for adequate cooling of the generator and/or the muffler. Operating the generator in enclosed or partially enclosed areas will allow dangerous levels of CO to accumulate.
- DO NOT contain generators during operation.
- Only use OUTSIDE and far away from windows, doors, and vents as recommended by the US Department of Health and Human Services Centers for Disease Control and Prevention. Your specific home and/or wind conditions may require additional distance.
- Do not operate the generator on an incline. The unit should always be placed on a flat stable surface.
- The generator should be on a flat, level surface at all times (even while not in operation).
- The generator must have at least 5 ft. (1.5 m) of clearance from all combustible material.

OPERATION

KNOW THE REGULATIONS FOR THE USE OF PORTABLE GENERATORS

Consider where and how you intend to use your generator, and familiarize yourself with any local, state, or federal ordinances concerning your intended use. It may be necessary to contact a qualified electrician or local governing agency for a full list of requirements.

ADDING OIL/CHECKING OIL LEVEL

See Figures 7 - 8.

If your product has a separate engine manual, disregard the information in this section and follow the instructions in the engine manual.

NOTICE THIS GENERATOR HAS BEEN SHIPPED WITHOUT OIL. Do not attempt to crank or start engine before it has been properly serviced with recommended oil. Failure to add engine oil before starting will result in serious engine damage that is not covered under warranty.

NOTICE Use of 2-stroke/cycle oil or other unapproved oil types can cause severe engine damage that is not covered under warranty.

The included, recommended oil type for typical use is 10W-30 engine oil. If running the generator in extreme temperatures, refer to the following chart.

Recommended Engine Oil Type									
		10W-30							
	5W-30						10W-40		
	5W-30 Synthetic								
°F	-20	0	20	40	60	80	100	120	
°C	-28.9	-17.8	-6.7	4.4	15.6	26.7	37.8	48.9	
Ambient Temperature									

NOTE: Check the engine oil level before each use or every 8 hours of operation.

- Turn the generator off and allow the engine to cool for at least five minutes.
- Place the generator on a level surface in a well-ventilated area.

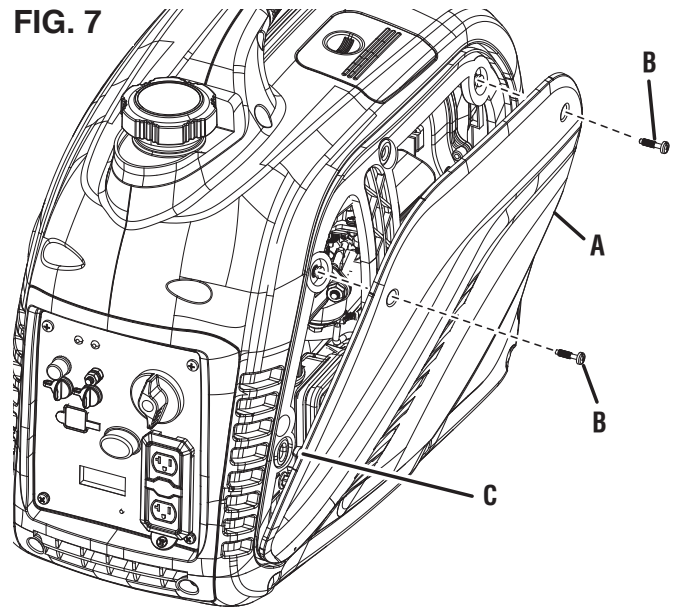
Remove the engine service cover to access the air filter, carburetor, oil fill / drain, and dipstick. Remove the two cover screws, then gently remove the cover with both hands to avoid damaging the cover eyelet posts.

- Clean the area around the oil dipstick.

For initial oil fill:

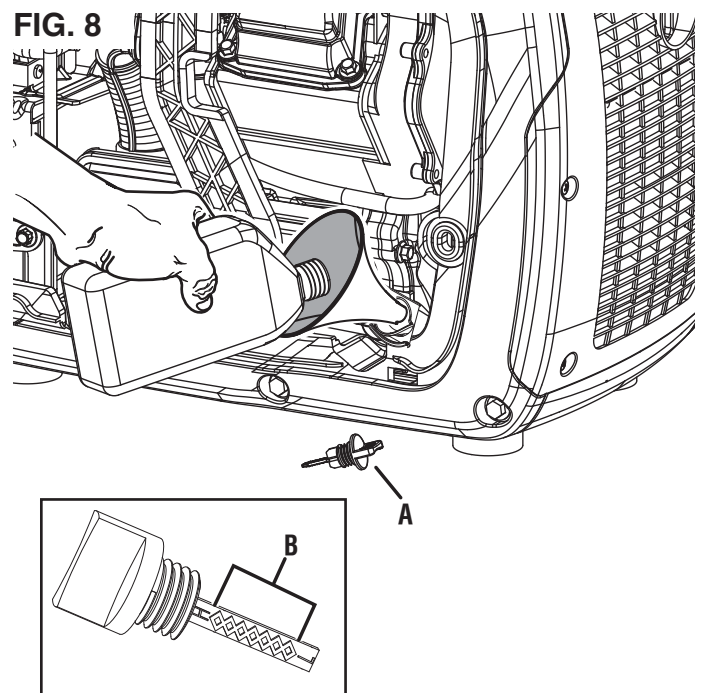
- Slowly unscrew and remove the oil dipstick.
- Using the funnel, slowly pour the supplied engine oil into the oil fill hole. Stop frequently to make sure you do not overfill.

FIG. 7



- A - Engine Service Cover
- B - Screw
- C - Pin

FIG. 8



- A - Oil Dipstick
- B - Safe Operating Range

NOTE: Your generator was functionally tested in the factory and may contain minimum residual oil. Additional oil is required to operate the unit. **Do not** overfill.

- Replace and tighten the oil dipstick.
- Install the engine service cover and turn the lock knob to the locked position to secure.

To check oil level:

- Slowly unscrew and remove the oil dipstick.

OPERATION

- Clean the dipstick and re-seat it inside the oil fill hole. Do not thread the dipstick.
- Remove the dipstick and verify that the oil level is within safe operating range.
- If the oil level is low, add recommended engine oil incrementally and recheck until the level is within the safe operating range.
- Replace the oil dipstick and hand-tighten.
- Install the engine service cover and screws. Tighten securely.

GASOLINE REQUIREMENTS

NOTICE

Do not use E15 or E85 fuel in this product. Engine or equipment damage caused by stale fuel or the use of unapproved fuels (such as E15 or E85 ethanol blends) is not covered by warranty. Only use unleaded gasoline containing up to 10% ethanol.

- ALWAYS use CLEAN, FRESH, unleaded gasoline (87–93 octane) in this unit. NEVER use OLD, STALE, or CONTAMINATED gasoline.
- Up to 10% ethanol (gasohol) is acceptable (where available; non-ethanol fuel is recommended).
- DO NOT use E85 or E15.
- DO NOT use a gas oil mix.
- DO NOT modify the engine to run on alternate fuels.



USING FUEL STABILIZER

Adding a fuel stabilizer (not included) extends the usable life of fuel and helps prevent deposits from forming that can clog the fuel system. Follow the manufacturer's instructions for use.

Always mix the correct amount of fuel stabilizer to gasoline in an approved gasoline container before fueling the generator. Run the generator for five minutes to allow the stabilizer to treat the entire fuel system.

ADDING GASOLINE

See Figures 9 - 10.

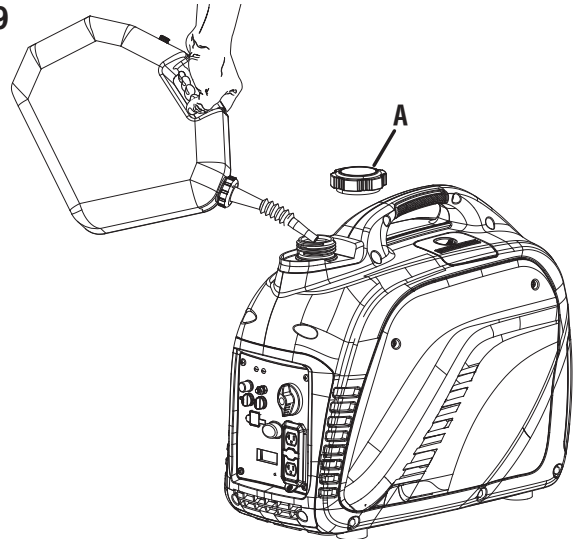
⚠ DANGER

Fire and explosion hazard. Never remove the fuel cap or refuel the generator while the engine is running. Do not smoke or create sparks while fueling. Always turn the engine off and allow the generator to cool for at least five minutes before refueling.

⚠ DANGER

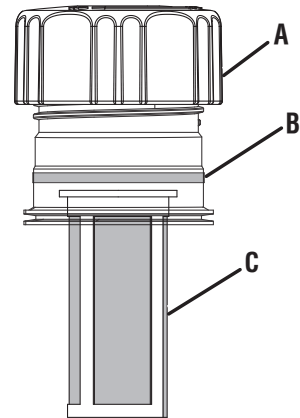
Fire and explosion hazard. Do not overfill fuel tank. Fill only to the red maximum fill ring on the fuel screen. Overfilling may cause fuel to spill onto engine causing a fire or explosion hazard.

FIG. 9



A - Fuel cap

FIG. 10



A - Fuel cap
B - Max fill line
C - Screen filter

⚠ WARNING

Never use a gasoline container, gasoline tank, or any other fuel item that is broken, cut, torn or damaged.

NOTICE

Only fill the tank from an approved gasoline container. Make sure the gasoline container is internally clean and in good condition to prevent fuel system contamination.

- Turn the generator off and allow the engine to cool for at least five minutes.
- Place the generator on a level surface in a well-ventilated area. **DO NOT fuel indoors.**
- Clean area around fuel cap and remove the cap slowly.
- Slowly add the recommended fuel. Do not overfill.
NOTE: The gasoline level should NOT be higher than the red maximum fill ring on the fuel screen.
- Install the fuel cap. Tighten securely.
- Clean up any spilled fuel.

OPERATION

- Move at least 30 ft. away from refueling area before re-starting the engine.

NOTICE Fuel can damage paint and plastic. Use caution when filling the fuel tank. Damage caused by spilled fuel is not covered under warranty.

NOTICE Clean the fuel screen filter of debris before and after each fueling. Remove the fuel screen filter by slightly compressing it while removing it from the fuel tank.

HIGH ALTITUDE OPERATION

Engine power is reduced the higher you operate above sea level. Output will be reduced approximately 3.5% for every 1,000 feet of increased altitude from sea level.

High altitude adjustment is required for operation at altitudes over 5,000 ft. (1524 m). Operation without this adjustment will cause decreased performance, increased fuel consumption, and increased emissions.

NOTICE DO NOT operate the generator at altitudes below 2,000 ft. (762 m) with the high altitude kit installed. Engine damage may occur.

High Altitude Carburetor Kit	Part# 518921-01
---	------------------------

DATA CENTER

See Figure 11.

Push the mode button to cycle through the data display modes.

Voltage: Displays current voltage output.

Frequency (Hz): Displays power output frequency in Hertz.

Lifetime Hours: Displays the lifetime run hours.

Fuel Level: Indicates how much gasoline remains in the fuel tank.

Run Time/Maintenance: Displays current run time. Resets to zero when shut down. Maintenance reminder displayed when required.

Maintenance Codes:

P25—Change engine oil

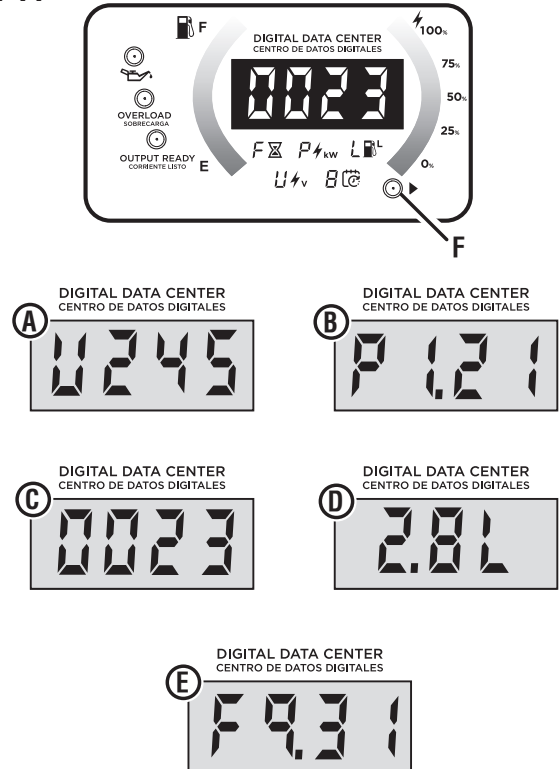
P50—Clean air filter, Change engine oil

P100—Change engine oil, clean air filter, replace fuel filter

BREAK-IN PERIOD

For proper break-in, do not exceed 50% of the rated running watts during the first five hours of operation.

FIG. 11



- A - Voltage
- B - Power output
- C - Lifetime hours
- D - Fuel level
- E - Run time/maintenance reminder
- F - Mode button

Use supplied oil until first recommend oil change. Do not use full synthetic oil during break in period. Full synthetic oil may prevent proper breaking and seating of the piston rings.

Vary the load occasionally to allow stator windings to heat and cool and help seat the piston rings.

BEFORE STARTING THE GENERATOR

Verify that:

- The generator is placed in a safe, appropriate location.
- The generator is on a dry, flat, and level surface.
- Oil and fuel levels are within safe operating range.
- All loads are disconnected from the control panel receptacles.
- The ECO mode switch is in the OFF position.

⚠ DANGER Fire and explosion hazard. DO NOT move or tip the generator during operation.

OPERATION

STARTING THE GENERATOR

See Figures 12 - 13.

- Place the generator in a safe, appropriate location.
- Unplug all loads.
- Make sure the ECO mode switch is in the OFF position.
- Check oil and fuel levels. If needed, add fuel or oil as described earlier.
- Place the engine/fuel control switch in the on (I) position.
- Firmly grasp and slowly pull the recoil handle until you feel increased resistance. At this point, rapidly pull the recoil handle away from the generator until the engine starts.

NOTE: Gently return the recoil handle into place after starting the unit. Do not let it snap back against the unit. During initial starting, additional pulls may be required to prime the fuel pump.

- When the OUTPUT READY LED illuminates, you can safely connect loads to the control panel receptacles.

NOTE: Verify that all devices are turned off before connecting them to the generator.

NOTE: Make sure that the wattage requirements for all connected devices are in line with your generator's capabilities.

- Connect and start the largest device or appliance.
- Allow the generator output to stabilize. Once stable, the engine should run smoothly, and the device should function properly.
- Connect and start the next largest device or appliance.
- Allow the generator output to stabilize.
- Repeat this process for each additional load.

STOPPING THE GENERATOR

See Figures 12 - 13.

- Remove any connected loads from the control panel receptacles.
- Allow the generator to run at "no load" to reduce and stabilize engine and alternator temperatures.
- Turn the engine/fuel control switch to the off (O) position

To stop the unit quickly in an emergency:

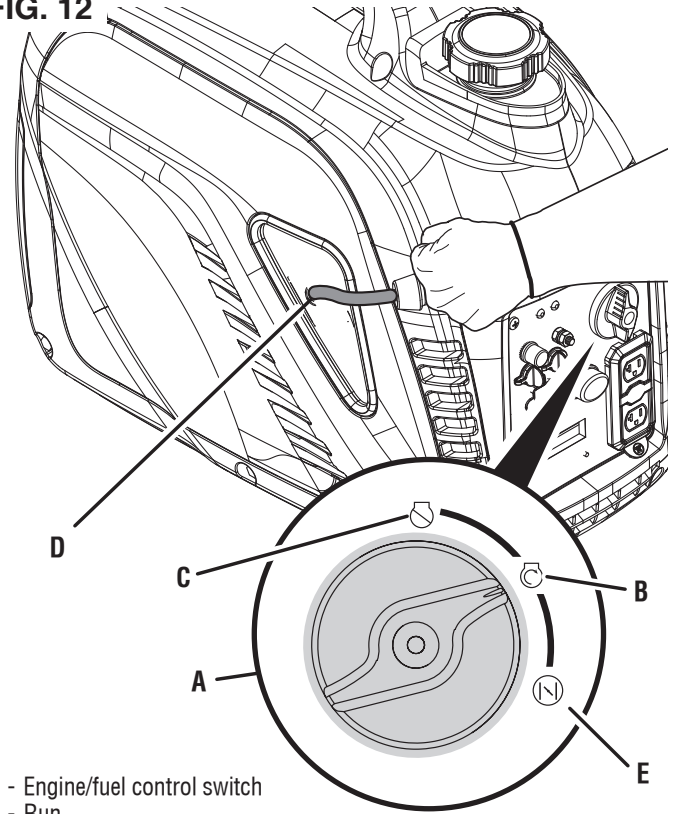
- Turn the engine/fuel control switch to the off (O) position

LOW OIL INDICATOR

See Figure 13.

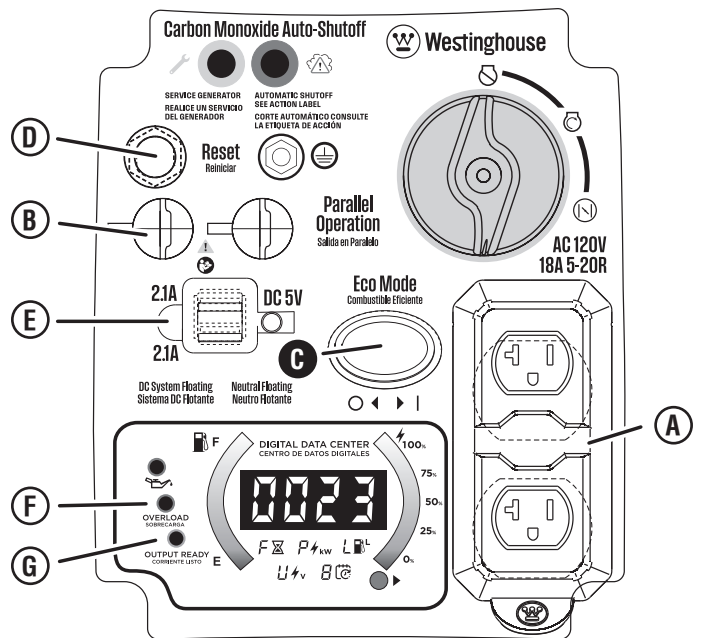
The LOW OIL LED on the control panel will illuminate when the unit is low or out of oil. The generator will not start when the indicator is lit. To resume normal operation, add engine oil as described earlier in this section. **Do not attempt to crank or start engine before it has been properly serviced with recommended oil.**

FIG. 12



- A - Engine/fuel control switch
- B - Run
- C - OFF
- D - Pull recoil handle
- E - Choke

FIG. 13



- A - 120 Volt AC 18 amp receptacles
- B - Parallel operation outlets
- C - ECO mode switch
- D - Reset button
- E - USB ports
- F - Overload LED
- G - Output ready LED

OPERATION

ECO MODE

See Figure 13.

NOTICE Always start the generator with the ECO mode switch in the OFF position. Allow the engine speed to stabilize and the OUTPUT READY LED to illuminate before putting the ECO mode switch in the ON position.

NOTICE Do not use ECO mode when in parallel operation with another Westinghouse inverter generator.

ECO mode minimizes fuel consumption and noise by adjusting the engine RPM to the minimum required for the current load.

Turn ECO mode ON when powering small appliances with continuous loads such as a computer or electric light.

Turn ECO mode OFF when powering large surge loads such as an air conditioner or electric pump.

To turn on ECO mode, verify that the OUTPUT READY LED is illuminated, then push the switch to the ON position. If no load is present, the generator RPM will drop to idle speed. The generator will detect loads as they are applied and increase engine RPM.

To run the generator at maximum power and RPM, push the ECO mode switch to the OFF position.

OVERLOAD RESET

See Figure 13.

Do not overload the generator. If the generator is approaching or has reached an overload condition, the OVERLOAD LED on the control panel will illuminate.

If the generator is close to overloading, the OVERLOAD LED will blink. Turn off and remove one or more connected devices to decrease the load and resume normal operation. If the load is not reduced, the unit will reach an overload condition. To extend the service life of the generator, avoid running the unit near capacity.

If the generator is overloaded or if there is a short circuit in a connected device, the OVERLOAD LED will turn solid, and the unit will automatically disconnect from the load. The engine will continue to run, but there will not be any electrical output.

To restore electrical output after an overload:

- Remove any connected loads from the control panel receptacles.
- Push the RESET button on the control panel until the OVERLOAD LED goes OFF and the OUTPUT READY LED is illuminated.
- Reset the circuit breaker(s) if activated.
- Verify that the intended running and surge loads do not exceed the generator's capacity.
- Reconnect electrical loads sequentially, allowing the generator to stabilize after each load is connected.

USB PORTS

See Figure 13.

Use the USB ports and USB cables (not included) to charge USB-compatible devices such as phones, tablets, and speakers (up to 2.1 Amps).

NOTE: The USB ports are designed for charging only and do not have data transfer or communication capabilities.

PARALLEL OPERATION

See Figure 13.

WARNING Fire and electrocution hazard. Never connect or disconnect the parallel cord leads when a generator is running.

CAUTION Correct connection of the left and right cables is very important when the generators are used with a transfer switch to supply power to a building. To avoid serious personal injury or damage to electrical devices, including the generators, do not try to power an electrical system in a building without using an approved transfer switch.

NOTICE Connecting to a generator that is not compatible can cause a low voltage output that can damage tools and appliances powered by the generator.

Parallel operation gives you the ability to link to a compatible Westinghouse Inverter Generator for combined running and peak power output.

A parallel cord or receptacle-mounted parallel cable is needed for parallel operation. Compatible cords are sold separately.

Refer to the user manual included with your parallel cord or receptacle-mounted parallel cable for installation and operation instructions.

TRANSPORTING

- Turn off the generator.
- Allow the generator to cool a minimum of 30 minutes before transporting.
- Replace all protective covers on the generator control panel.
- Only use the generator's fixed handle to lift the unit or attach any load restraints such as ropes or tie-down straps. DO NOT attempt to lift or secure the generator by holding onto any of its other components.
- Keep the unit level during transport to minimize the possibility of fuel leakage or, if possible, drain the fuel or run the engine until the fuel tank is empty before transport.

CAUTION Fire hazard. DO NOT up-end the generator or place it on its side. Fuel or oil can leak and damage to the generator may occur.

MAINTENANCE

⚠ WARNING Accidental start-up. Disconnect the spark plug boot (*see figure 17*) from the spark plug when performing maintenance on the generator.

⚠ WARNING Replace damaged or worn items with recommended or equivalent replacement parts. Using an incorrect or incompatible part might create a hazard that could result in serious personal injury.

⚠ WARNING Allow hot components to cool for 30 minutes before performing any maintenance procedure.

⚠ WARNING Avoid skin contact with engine oil or gasoline. Wear protective clothing and equipment. Wash all exposed skin with soap and water. Prolonged skin contact with gasoline or engine oil may cause severe skin irritation and other adverse reactions.

NOTICE Check the physical condition of the product prior to each use. Look for loose bolts, fluid leaks, and other signs of wear. Replace all damaged items. For replacement parts or assistance, contact our customer service team.

To prolong the life of this product, follow the care and maintenance instructions in this section. Contact customer service before servicing any recall or warranty parts.

CLEANING THE GENERATOR

Do not store or operate your generator in dirty, dusty, or corrosive environments. Do not allow foreign materials and debris to clog the vents on the unit.

NEVER clean the generator with a garden hose. Water can damage the generator's fuel system and electrical components. If the unit needs to be cleaned, use a soft brush and damp cloth to clean the exterior and use low pressure air (no greater than 25 psi) to clean the vents.

Never use gasoline as a cleaning agent.

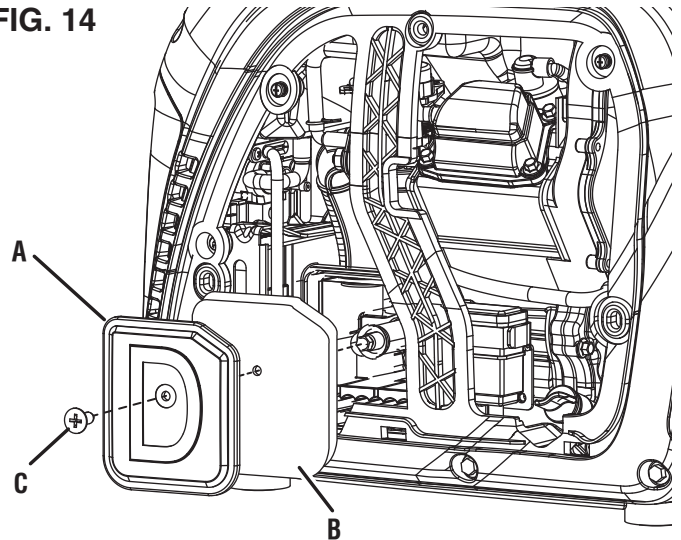
CLEANING/REPLACING THE AIR FILTER

See Figure 14.

Keep air filter clean. A dirty air filter can cause poor performance and decrease the service life of the product. **NEVER operate the generator without an air filter in place.**

- Turn the generator off and allow the engine to cool for 30 minutes.
- Loosen screws and remove the engine service cover.

FIG. 14



- A - Air Filter Cover
- B - Air Filter
- C - Screw

- Remove the screw and air filter cover.
- Remove the air filter from the air cleaner housing and place it in a suitable cleaning container. **Replace the air filter if damaged.**

NOTE: The air filter may be covered in oil. Use an appropriate container.

- Wash the air filter by submerging the filter in a solution of household detergent and warm water. Slowly squeeze the filter to thoroughly clean.

NOTICE DO NOT twist or tear the air filter during cleaning or drying. Only apply slow but firm squeezing action.

- Rinse the air filter by submerging it in fresh water and applying a slow squeezing action. Allow the filter to dry thoroughly.

NOTICE Do not pollute. Follow the guidelines of the EPA or other governmental agencies for proper disposal of hazardous materials. Consult local authorities or reclamation facility.

- Dip the air filter in clean engine oil then squeeze out all excess oil. The engine will smoke when started if too much oil is left in the filter.
- Install the air filter in the air cleaner housing and reinstall the air filter cover.
- Install the engine service cover and turn the lock knob to the locked position to secure.

MAINTENANCE

CHANGING THE ENGINE OIL

See Figure 15.

For optimal performance, change the engine oil according to the figures specified in the maintenance schedule or the engine manual (if applicable). When using the generator under extreme, dirty, dusty conditions or in extremely hot weather, change the oil more frequently.

NOTE: Change the oil while the engine is warm but not hot. Warm engine oil drains more quickly and thoroughly than cool lubricant. Contact with hot lubricant will cause serious burns.

- Turn the generator off and allow the engine to cool for 30 minutes.
- Place the generator on a level surface in a well-ventilated area.
- Loosen screws and remove the engine service cover.
- Clean the area around the oil dipstick.
- Slowly unscrew and remove the oil dipstick.
- Place an oil pan (or suitable container) under the oil fill/drain hole.
- Tilt the generator to drain the oil.
- After the oil has drained completely, place the generator in an upright position.
- Refill the oil as described in the *Operations* section.
- Replace the oil dipstick and hand-tighten.
- Clean up any spilled oil.
- Install the engine service cover and screws. Tighten securely.

CLEANING/REPLACING THE SPARK PLUG

See Figure 16.

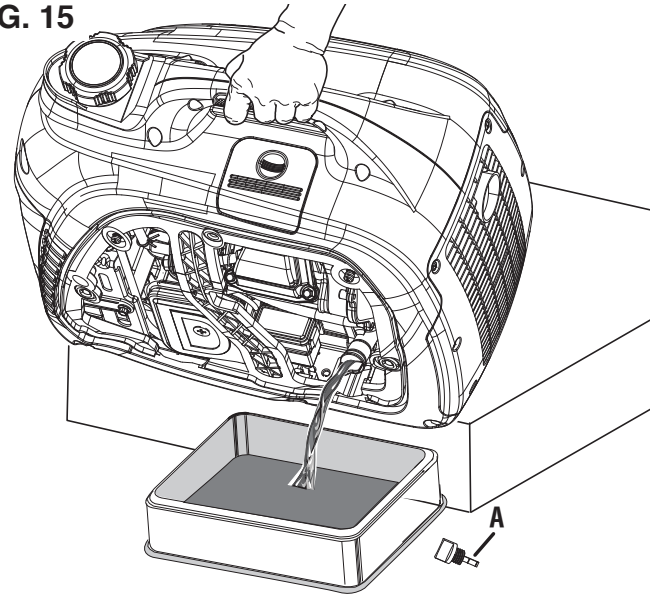
NOTICE ALWAYS use the Westinghouse OEM or compatible non-resistor-type spark plug. Use of resistor-type spark plug can result in rough idling, misfire, or may prevent the engine from starting.

Make sure the spark is clean and properly gapped. To clean or replace your spark plug:

- Turn the generator off and allow the engine to cool for 30 minutes.
- Place the generator on a level surface in a well-ventilated area.
- Lift the spark plug service door to gain access to the spark plug area.
- Remove the spark plug boot by firmly pulling the spark plug boot directly away from the engine.
- Clean the area around the spark plug.
- Remove the spark plug with the included spark plug socket wrench.

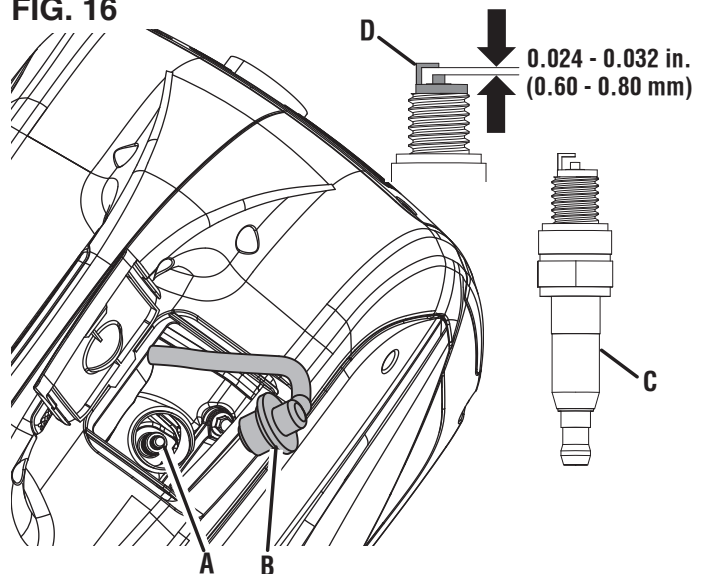
NOTICE Never apply any side load or move the spark plug laterally when removing the spark plug.

FIG. 15



A - Oil dipstick

FIG. 16



A - Spark Plug
B - Spark Plug Boot
C - Insulator
D - Electrode

- Inspect the spark plug. Replace if electrodes are pitted, burned, or the insulator is cracked. Only use a recommended replacement plug.
- Measure the spark plug electrode gap with a wire-type feeler gauge. If necessary, correct the gap by carefully bending the side electrode.
Spark plug gap: 0.024 - 0.032 in. (0.60 - 0.80 mm)
- Carefully install the spark plug finger tight, then tighten as additional 3/8 to 1/2 turn with the spark plug wrench.
- Install the spark plug boot and close the spark plug service door.

MAINTENANCE

CLEANING THE SPARK ARRESTOR

See Figure 17.

Check and clean the spark arrestor according to the figures specified in the **Maintenance Schedule** or the engine manual (if applicable). Failure to clean the spark arrestor will result in degraded engine performance.

- Turn the generator off and allow the engine to cool for 30 minutes.
- Place the generator on a level surface in a well-ventilated area.
- Remove the screws and muffler cover.
- Remove the screw securing the spark arrestor bracket.
- Remove the spark arrestor from the generator.
- Gently clean the screen and spark arrestor using a wire brush.
- Reinstall the spark arrestor, screen, and bracket. Tighten screws securely.

DRAINING THE FUEL TANK AND CARBURETOR FLOAT BOWL

See Figures 18 - 20.

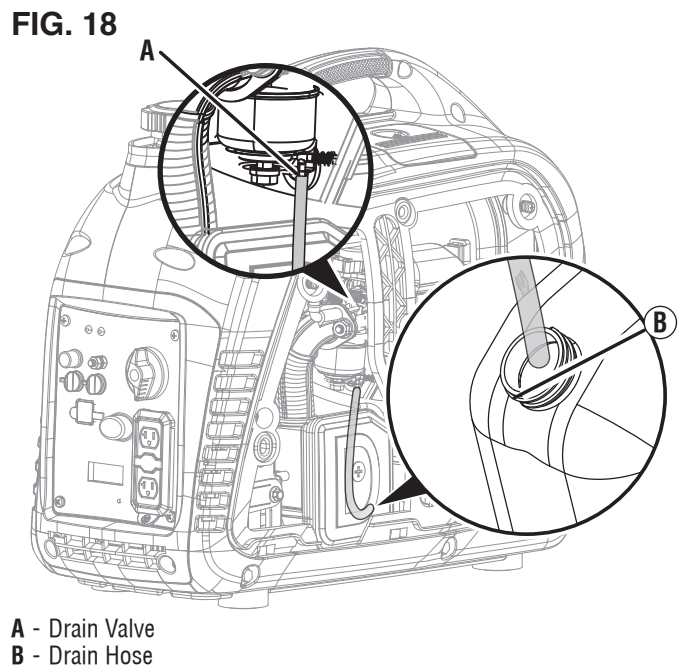
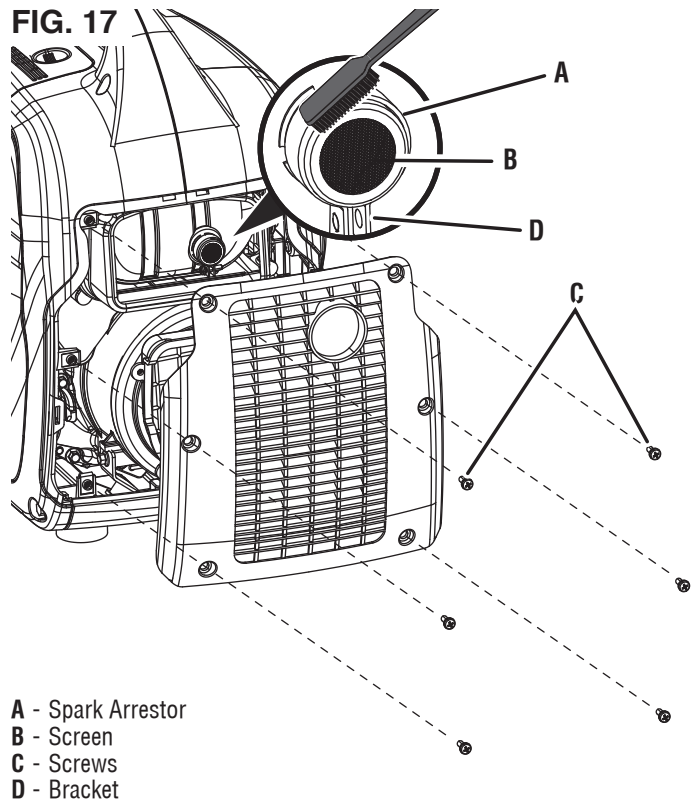
⚠ WARNING ALWAYS store gasoline in a container approved for gasoline. Unapproved containers can break or deteriorate allowing gasoline or gasoline vapors to escape which can create a serious hazard.

Even properly stabilized fuel can leave residue and cause corrosion if left long term. If storing the generator for two to six months, drain the float bowl to prevent gum and varnish buildup in the carburetor. If storing the generator for longer than six months, drain the fuel tank to prevent fuel separation, deterioration, and deposits in the fuel system.

- Turn off the generator and allow the engine to cool for 30 minutes.
- Place the generator on a level surface in a well-ventilated area.

To drain the float bowl:

- Turn the engine/fuel control switch to the **GASOLINE OFF** position.
- Loosen screws and remove the engine service cover.
- Locate the drain valve on the bottom of the carburetor float bowl.
- Attach a drain hose onto the drain valve.
- Place the bottom end of the hose outside the generator into an approved gasoline container to catch the drained fuel.
- Rotate the drain valve counterclockwise to open.
- Close the drain valve by rotating clockwise when the float bowl is empty. Install the engine service cover.



MAINTENANCE

To run the float bowl dry:

- Start the generator as described earlier.
- After the engine starts, turn the engine/fuel control switch to the **GASOLINE OFF** position.
- Allow the generator to run until the fuel in the carburetor is depleted and the engine stops.
- Turn the engine/fuel control switch to the **OFF** position

To drain the fuel tank:

NOTICE

To prevent damage to the unit, drain the engine oil before emptying the fuel tank. See **Changing the engine oil** for details.

- Turn the engine/fuel control switch to the **OFF** position
- Clean area around fuel cap and remove the cap slowly.
- Remove the fuel screen filter by slightly compressing it while removing it from the tank.
- Using a commercially available gasoline hand pump (not included), siphon the gasoline from the fuel tank into an approved gasoline container. **DO NOT** use an electric pump.

NOTE: The fuel tank can also be drained using the carburetor drain screw and drain hose as described earlier. Keep the engine/fuel control switch in the OFF position to allow fuel to flow from the tank through the carburetor.

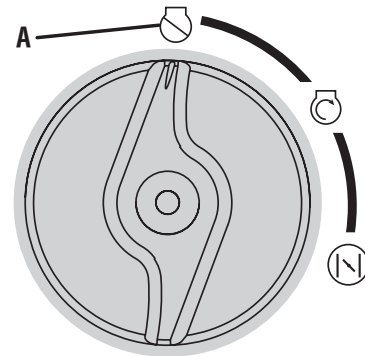
REPLACING THE FUEL FILTER

See *Figure 21*.

Overtime, the fuel filter may become dirty or clogged. To reduce the risk of engine failure, replace the fuel filter according to the figures specified in the maintenance schedule or the engine manual (if applicable).

- Turn the generator off and allow the engine to cool for 30 minutes.
- Drain the fuel tank as described previously.
- Remove the screws securing the control panel.
- Remove the control panel.
- Locate the fuel filter and note the filter's orientation.
- Using pliers, squeeze the fuel line clips and slide the fuel lines away from the filter.
- Install the fuel lines onto the new filter. Ensure the fuel filter is oriented correctly.
- Replace the engine service cover and tighten screws securely.

FIG. 19



A - Gasoline OFF

FIG. 20

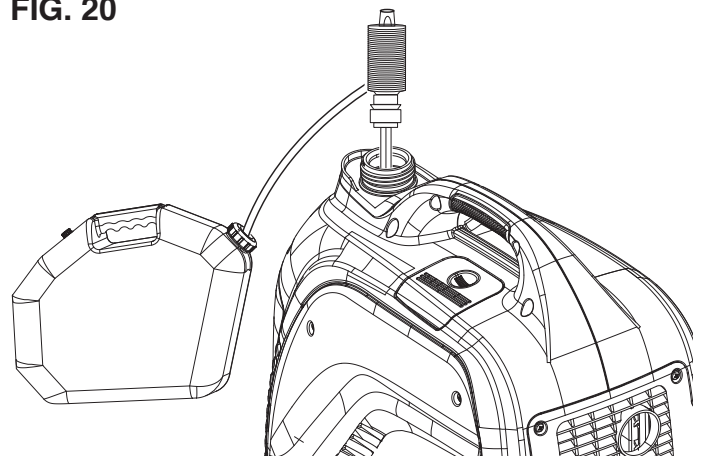
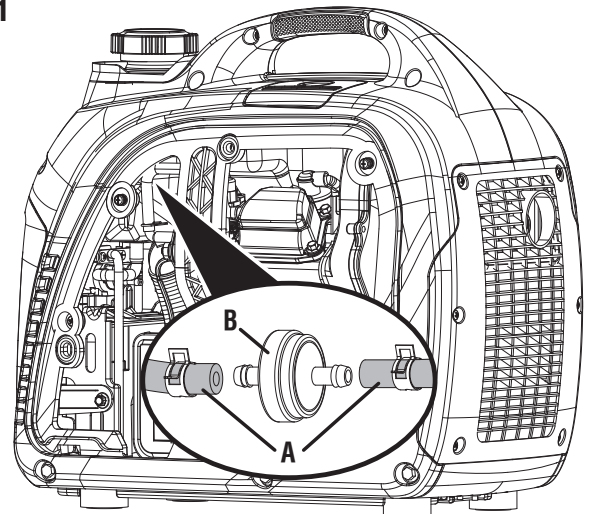


FIG. 21



A - Fuel Line
B - Fuel Filter

MAINTENANCE

CHECKING/ADJUSTING THE VALVE CLEARANCE

See Figures 22 - 23.

NOTICE

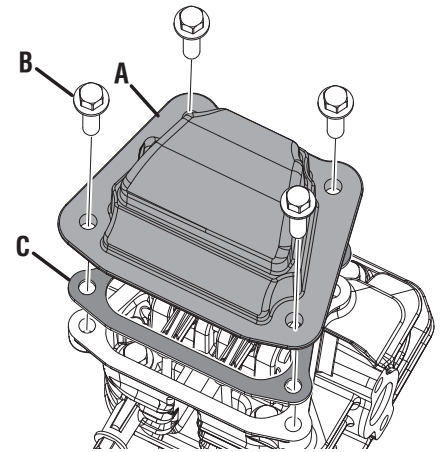
Checking and adjusting valve clearance must be done when the engine is cold.

- Turn the generator off and allow the engine to cool for 30 minutes.
- Place the generator on a level surface in a well-ventilated area.
- Remove the rocker arm cover and carefully remove the gasket. If the gasket is torn or damaged, it must be replaced.
- Remove the spark plug so the engine can be rotated more easily.
- Pull the recoil handle to rotate the engine to top dead center (TDC). Looking through the spark plug hole; the piston should be at the top (both valves are closed).
- Both rocker arms should be loose at TDC on the compression stroke. If they are not, rotate the engine 360°.
- Insert a feeler gauge between the rocker arm and the valve stem to measure valve clearance.

	Intake Valve	Exhaust Valve
Valve Clearance	0.0031 – 0.0047 in (0.08 – 0.12 mm)	0.0051 – 0.0067 in (0.13 – 0.17 mm)
Torque	8-12 Nm	8-12 Nm

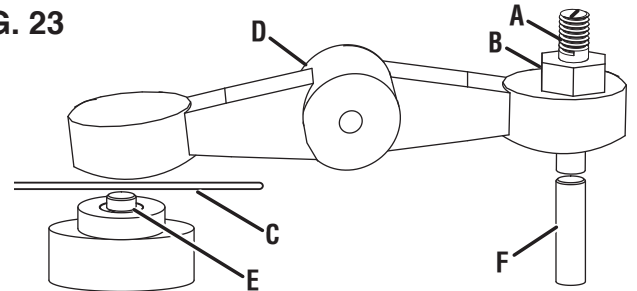
- If an adjustment is necessary, loosen the jam nut.
- Slide the appropriate feeler gauge between the rocker arm and the valve stem.
- Tighten the adjustment screw onto the push rod to obtain the specified clearance.
NOTE: You should be able to feel the rocker arm touch the feeler gauge.
- Hold the adjustment screw in place and tighten the nut.
Torque: 106 inch-pound (12 Nm)
- Recheck valve clearance.
- If no further adjustments are needed, perform this procedure on the other valve.
- When finished, install the gasket, rocker arm cover, and spark plug.

FIG. 22



- A - Rocker Arm Cover
- B - Bolt
- C - Gasket

FIG. 23



- A - Adjustment Screw
- B - Jam Nut
- C - Feeler Gauge
- D - Rocker Arm
- E - Valve Stem
- F - Push Rod

MAINTENANCE

STORAGE

Turn the unit off and allow it to cool a minimum of 30 minutes before storage. Keep the unit upright. Do not store the generator on its side. Drain fuel before storing the unit. Store the unit and the fuel separately in well-ventilated areas away from sparks, open flames, pilot lights, heat, and other sources of ignition.

NOTICE

Gasoline stored for as little as 30 days can deteriorate, causing gum, varnish, and corrosive buildup in fuel lines, fuel passages, and the engine. This corrosive buildup restricts the flow of fuel, which can prevent the engine from starting after a prolonged storage period. The use of fuel stabilizer significantly increases the storage life of gasoline. Full-time use of fuel stabilizer is recommended. Follow the manufacturer's instructions for use.

STORAGE TIME	RECOMMENDED PROCEDURE
Less than 1 month	Replace all protective covers on the generator control panel. Clean the exterior of the generator and remove any debris from the muffler cooling vents.
2 to 6 months	Replace all protective covers on the generator control panel. Clean the exterior of the generator and remove any debris from the muffler cooling vents. Drain the carburetor float bowl. (Store gasoline in an approved gasoline container or dispose of it according to state and local ordinances.)
6 months or longer	Replace all protective covers on the generator control panel. Clean the exterior of the generator and remove any debris from the muffler cooling vents. Drain the carburetor float bowl and the fuel tank. (Store gasoline in an approved gasoline container or dispose of it according to state and local ordinances.) Put a tablespoon of engine oil into the spark plug cylinder. Gently pull the recoil handle to slowly turn the engine and distribute the lubricant. Reinstall the spark plug Change the engine oil.

MAINTENANCE SCHEDULE

Regular maintenance will improve performance and extend the service life of the generator. Follow the hourly or calendar intervals, whichever occurs first. More frequent service is required when operating in adverse conditions as noted below.

NOTE: If your product has a separate engine manual, disregard the information in this chart and follow the instructions in the engine manual.



	Before Each Use	After First 25 Hours or First Month	After 50 Hours or Every Six Months	After 100 Hours or Every Six Months	After 300 Hours or Every Year
Check Engine Oil	X				
Change Engine Oil ¹		X	X		
Clean Air Filter ²			X		
Inspect/Clean Spark Arrestor				X	
Inspect/Clean Spark Plug				X	
Inspect/Adjust Valve Clearance ³				X	
Replace Spark Plug					X
Replace Air Filter					X
Replace Fuel Filter				X	

¹ Change oil every month when operating under heavy load or in high temperatures.

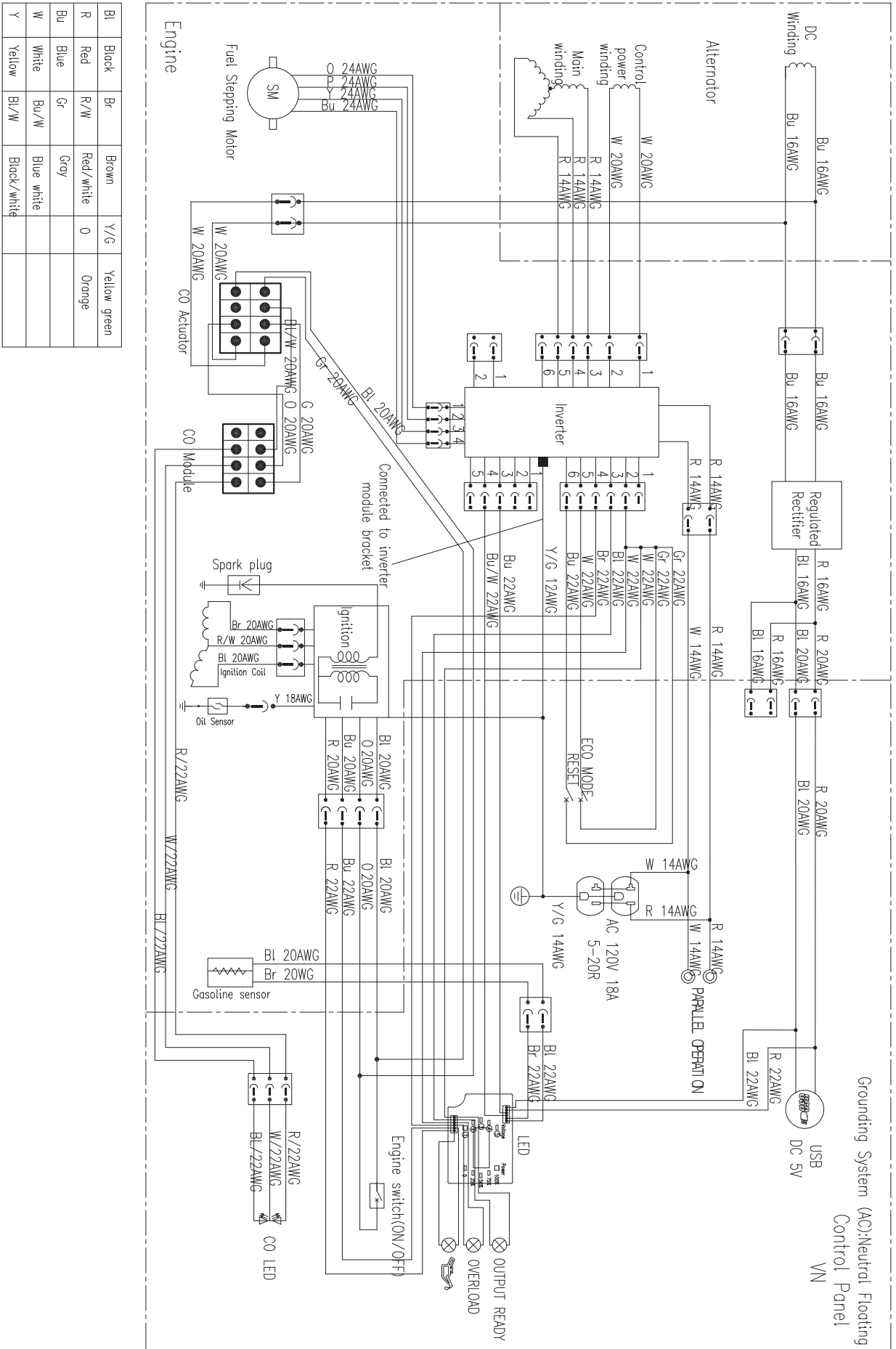
² Clean more often under dirty or dusty conditions. Replace air filter if it cannot be adequately cleaned.

³ Recommend service to be performed by authorized Westinghouse service dealer.

TROUBLESHOOTING

PROBLEM	POSSIBLE CAUSE	CORRECTION
Engine starts, then shuts down	Fuel level is low or depleted.	Refuel.
	Incorrect engine oil level.	Check engine oil level.
	Dirty air filter.	Clean the air filter.
	Contaminated gasoline.	Drain the fuel tank. Refuel with fresh gasoline.
	Defective low oil level switch.	Contact Westinghouse customer service toll-free at 1 (855) 944-3571.
Engine lacks power	Air filter restricted.	Clean or replace air filter.
	Stale gasoline, generator stored without treating or draining gasoline, or refueled with bad gasoline.	Drain the fuel tank. Refuel with fresh gasoline.
	Fuel system malfunction, ignition malfunction, valves stuck, etc.	Contact Westinghouse customer service toll-free at 1 (855) 944-3571.
Engine will not start	Out of fuel.	Refuel.
	Stale gasoline, generator stored without treating or draining gasoline, or refueled with bad gasoline.	Drain the gasoline tank. Refuel with fresh gasoline.
	Dirty air filter.	Clean the air filter.
	Low engine oil level stopped generator.	If LOW OIL LED illuminated, turn engine/fuel control switch to the OFF  position. Add engine oil.
	Spark plug wet with fuel (flooded engine).	Wait five minutes. Turn engine/fuel control switch to the OFF  position. Pull recoil handle rapidly several times. If the generator does not start, remove spark plug and dry.
	Spark plug faulty, fouled, or improperly gapped.	Gap or replace the spark plug. Reinstall.
	Fuel system malfunction, ignition malfunction, valves stuck, etc.	Contact Westinghouse customer service toll-free at 1 (855) 944-3571.
	CO sensor removed or modified.	Return to original configuration.
	CO sensor activated or system fault occurred.	Relocate generator / Contact Westinghouse customer service toll-free at 1 (855) 944-3571.
Engine runs rough or bogs when load applied	Dirty air filter.	Clean the air filter.
	Generator overloaded.	Unplug some devices.
	Faulty power tool or appliance.	Replace or repair tool or appliance. Stop and restart the engine.
	Fuel system malfunction, ignition malfunction, valves stuck, etc.	Contact Westinghouse customer service toll-free at 1 (855) 944-3571.
No power at AC receptacles	OUTPUT READY LED is OFF and OVERLOAD LED is ON.	Check AC load. Stop and restart engine.
		Check the air inlet. Stop and restart the engine.
	AC circuit breaker/s tripped.	Check AC loads and reset circuit breaker/s.
	Faulty power tool or appliance.	Replace or repair tool or appliance. Stop and restart the engine.
	Faulty generator.	Contact Westinghouse customer service toll-free at 1 (855) 944-3571.

SCHEMATICS



Bl	Black	Br	Brown	Y/G	Yellow green
R	Red	R/W	Red/white	0	Orange
Bu	Blue	Gr	Grey		
W	White	Bu/W	Blue white		
Y	Yellow	Bl/W	Black/white		

ESPAÑOL

iGen2800c

GENERADOR INVERSOR DIGITAL
2 200 WATTS DE FUNCIONAMIENTO | 2 800 WATTS PICO

MANUAL DE USUARIO

NO DEVUELVA ESTE PRODUCTO A LA TIENDA

Si tiene preguntas o necesita ayuda, llame al servicio de atención al cliente al 855-944-3571.

TABLA DE CONTENIDO

Introducción	2-3
Seguridad	4-9
Eléctrico	10
Componentes	11-12
Montaje	13
Operación	13-20
Mantenimiento	20-25
Solución de problemas	26
Línea de atención al cliente/dirección de la empresa	Página trasera

INTRODUCCIÓN

⚠ ADVERTENCIA La operación, el servicio y el mantenimiento de este equipo pueden exponerlo a productos químicos, incluidos los gases de escape del motor, el monóxido de carbono, los ftalatos y el plomo, que el estado de California reconoce como causantes de cáncer y defectos de nacimiento u otros daños reproductivos. Para minimizar la exposición, evite respirar los gases de escape y use guantes o lávese las manos con frecuencia cuando realice el mantenimiento de este equipo. Para obtener más información, visite www.P65warnings.ca.gov.

EXENCIONES DE RESPONSABILIDAD

Toda la información, ilustraciones y especificaciones de este manual estaban vigentes en el momento de su publicación. Las ilustraciones que se utilizan en este manual se ofrecen únicamente como vistas de referencia representativas. Nos reservamos el derecho de realizar cualquier cambio en las especificaciones o el diseño sin previo aviso.

RESERVADOS TODOS LOS DERECHOS

Reservados todos los derechos. No se permite la reproducción en ninguna forma sin el permiso por escrito de Westinghouse Outdoor Power Equipment.



⚠ PELIGRO Lea este manual antes de usar o realizar el mantenimiento de este producto. El incumplimiento de las instrucciones y precauciones de seguridad de este manual puede provocar lesiones graves o la muerte.

ACTUALIZACIONES

El manual de usuario más reciente para sus productos Westinghouse se puede encontrar en nuestra pestaña de soporte wpowereq.com/pages/manuals

O escanee el siguiente código QR con la cámara de su teléfono inteligente para ser dirigido al enlace.



INTRODUCCIÓN

REGISTRACIÓN DEL PRODUCTO

Para una cobertura de garantía sin problemas, es importante registrar su producto Westinghouse.

Puedes registrarte por:

- Completar y enviar por correo la tarjeta de registro del producto incluida en la caja.
- Registro del producto suen línea en: wpowereq.com/pages/warranty-registration
- Escanee el código QR anterior con la cámara de su teléfono inteligente para ser dirigido al enlace de registro móvil.



Para su archivo

Fecha de compra: _____

Número de modelo: _____

Número de serie: _____

Lugar de compra: _____

- Envío de la siguiente información del producto a:

Westinghouse Outdoor Power

Warranty registration
777 Manor Park Drive
Columbus, OH 43228

IMPORTANTE: Guarde su recibo de compra para una cobertura de garantía sin problemas.

ESPECIFICACIONES

Voltaje de corriente alterna..... 120V
Potencia (Watts de funcionamiento)..... 2 200W
Potencia (pico)..... 2 800W
Corriente de corriente alterna..... 27,5A
Voltaje de corriente continua 5V
Corriente de corriente continua dos 2.1A
Frecuencia..... 60 Hz
Fase..... Único
Revoluciones por minuto..... 5 000
Factor de potencia..... 1.0
Clase de aislamiento F
Temperatura ambiente máxima..... 104°F (40°C)

Tipo de combustible Gasolina sin plomo (87–93 Octanos)
No use combustible E15 o E85 en este producto.
Capacidad de combustible 0,98 galones (3,7 litros)
Capacidad de aceite..... 11,8 onzas (0,4 litros)
Tipo de aceite SAE 10W-30
Bujía E6RTC
Separación de la bujía 0,024 – 0,032 pulg.
(0,06 – 0,80 mm)
Holgura de admisión de la válvula..... 0.0031 – 0.0047 pulg.
(0.08 – 0.12 mm)
Holgura de escape de la válvula 0.0051 – 0.0067 pulg.
(0.13 – 0.17 mm)
Sistema de puesta a tierra de CA Neutro flotante

AVISO

Este producto está diseñado y clasificado para operación continua a temperaturas ambiente entre 23 °F (–5 °C) y 104 °F (40 °C). Si es necesario, este producto se puede operar en temperaturas extremadamente calientes o extremadamente frías por períodos cortos. Si el producto se expone a temperaturas extremas durante el almacenamiento, debe volver a colocarse dentro del rango de temperatura óptimo antes de la operación. Este producto siempre debe operarse al aire libre en un área bien ventilada y lejos de puertas, ventanas y otras rejillas de ventilación. La potencia y corriente máximas están sujetas y limitadas por factores tales como el contenido de BTU del combustible, la temperatura ambiente, la altitud, las condiciones del motor, etc.

La potencia máxima disminuye aproximadamente un 3,5 % por cada 1 000 pies sobre el nivel del mar, y también disminuirá aproximadamente un 1 % por cada 10 °F (6 °C) por encima de los 60 °F (16 °C) de temperatura ambiente.

AVISO

El efecto de la altitud sobre la potencia será mayor si no se modifica el carburador. Una disminución en la potencia del motor disminuirá la potencia de salida del generador. Póngase en contacto con nuestro equipo de servicio para pedir kits de altitud.

AVISO

¡Gracias por elegir Westinghouse! POR FAVOR LEA ANTES DE DEVOLVER ESTE PRODUCTO POR CUALQUIER MOTIVO.

Si tiene alguna pregunta o experimenta un problema con su compra de Westinghouse, llámenos al 1-855-944-3571 para hablar con un agente.

GUARDE ESTE MANUAL PARA FUTURAS CONSULTAS.

¿TIENE PREGUNTAS?

Envíenos un correo electrónico a service@wpowereq.com o llame al 1-855-944-3571

SEGURIDAD

DEFINICIONES DE SEGURIDAD

Las palabras PELIGRO, ADVERTENCIA, PRECAUCIÓN y AVISO se utilizan en este manual para resaltar información importante. Asegúrese de que los significados de esta información de seguridad sean conocidos por todos los que operan, realizan el mantenimiento o están cerca del generador..



Este símbolo de alerta de seguridad aparece con la mayoría de las declaraciones de seguridad. Significa atención, ponte alerta, ¡tu seguridad está en juego! Lea y respete el mensaje que sigue al símbolo de alerta de seguridad.

PELIGRO Indica una situación peligrosa que, si no se evita, provocará la muerte o lesiones graves.

ADVERTENCIA Indica una situación peligrosa que, si no se evita, podría provocar la muerte o lesiones graves.

PRECAUCIÓN Indica una situación peligrosa que, si no se evita, podría provocar lesiones leves o moderadas.

AVISO Indica una situación que puede causar daños al generador, a la propiedad personal y/o al medio ambiente, o hacer que el equipo funcione incorrectamente.

NOTA: Indica un procedimiento, práctica o condición que se debe seguir para que el generador funcione de la manera prevista.

SÍMBOLOS DE SEGURIDAD

Siga toda la información de seguridad contenida en este manual del usuario, así como la información en la etiqueta del producto.

Símbolo	Descripción
	Símbolo de alerta de seguridad
	Peligro de incendio
	Peligro de descarga eléctrica
	Peligro de quemaduras. No toque las superficies calientes.
	Peligro de asfixia
	No opere en condiciones húmedas
	Lea las instrucciones del fabricante
	Mantenga una distancia segura
	Terrestre. Consulte con un electricista para determinar los requisitos de conexión a tierra antes de la operación.
	Monóxido de carbono

SEGURIDAD

INSTRUCCIONES DE SEGURIDAD IMPORTANTES

⚠ PELIGRO

El escape del generador contiene altos niveles de monóxido de carbono (CO), un gas invisible, inodoro y extremadamente venenoso. Si huele los gases de escape, está respirando monóxido de carbono. Pero, incluso si no huele los gases de escape, es posible que esté inhalando CO.

ÚNICAMENTE opere los generadores al aire libre, en un área bien ventilada. NUNCA opere generadores en el interior, hacerlo PUEDE MUERTE EN MINUTOS.

- **Uso correcto:** Use los generadores solo al aire libre y a favor del viento, lejos de ventanas, puertas y conductos de ventilación. Dirija siempre el escape lejos de los espacios ocupados. Instale siempre detectores de monóxido de carbono alimentados por batería o detectores de monóxido de carbono enchufables con respaldo de batería en las áreas habitables. *Vea la figura 1.*

- **Uso incorrecto:** NUNCA use un generador en su casa, garaje, sótano, ático, sotano de poca altura o cualquier otra área total o parcialmente cerrada. Áreas como estas pueden permitir que se acumulen niveles peligrosos de monóxido de carbono. Una puerta abierta o un ventilador en funcionamiento NO proporcionarán una ventilación adecuada. *Vea la figura 2.*

Si comienza a sentirse mareado, débil o enfermo mientras usa el generador, muévase al aire libre inmediatamente. Póngase en contacto con un médico. Es posible que esté experimentando una intoxicación por monóxido de carbono.

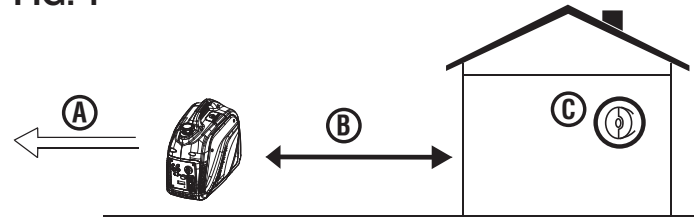
⚠ PELIGRO

Peligro de incendio y electrocución. **NO** lo conecte al sistema eléctrico de un edificio a menos que el generador y el interruptor de transferencia se hayan instalado correctamente y un electricista calificado haya verificado la salida eléctrica. La conexión debe aislar la energía del generador de la energía de la red pública y debe cumplir con todas las leyes y códigos eléctricos aplicables. Si no se aísla correctamente la energía del generador, se podrían causar daños a la propiedad y crear una peligrosa retroalimentación de electricidad que podría matar o lesionar gravemente a los trabajadores de servicios públicos.

⚠ PELIGRO

Peligro de electrocución. **NUNCA** use el generador en un lugar mojado o húmedo. **NUNCA** exponga el generador a la lluvia, nieve, rocío de agua o agua estancada mientras está en uso. Proteja el generador de todas las condiciones climáticas peligrosas. La humedad o el hielo pueden causar un cortocircuito u otro mal funcionamiento en el circuito eléctrico.

FIG. 1

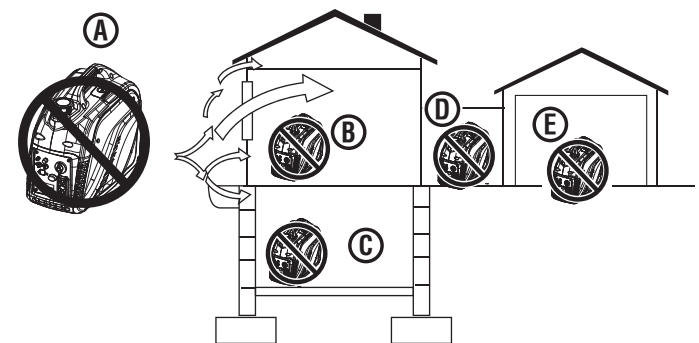


A - ESCAPE (CO)

B - Use solo AFUERA y LEJOS de ventanas, puertas y conductos de ventilación.

C - Detectores de CO en zonas de estar

FIG. 2



A - ESCAPE (CO)

B - Sala de estar

C - Espacio de acceso subterráneo

D - Entrada/Porche/El Zaguán

E - Garaje

⚠ ADVERTENCIA

Familiarícese con todas las instrucciones, advertencias de seguridad, ilustraciones y especificaciones proporcionadas con este producto. Si no se siguen las instrucciones del fabricante, se pueden producir descargas eléctricas, incendios y/o envenenamiento por monóxido de carbono que pueden provocar la muerte o lesiones graves.

AVISO

Instale detectores de monóxido de carbono alimentados por baterías o detectores de monóxido de carbono enchufables con respaldo de batería en las áreas habitables.

- Este producto **SÓLO** debe usarse al aire libre.
- **NUNCA** use un generador en su casa, garaje, sótano, ático, sótano o cualquier otra área total o parcialmente cerrada. Áreas como estas pueden permitir que se acumulen niveles peligrosos de monóxido de carbono. El monóxido de carbono (CO), un gas invisible, inodoro y extremadamente venenoso, **PUEDE MATARLO EN MINUTOS.**
- Solo use **EXTERIOR** y lejos de ventanas, puertas y rejillas de ventilación según lo recomendado por los Centros para el Control y la Prevención de Enfermedades del Departamento de Salud y Servicios Humanos de EE. UU. Su hogar específico y/o las condiciones del viento pueden requerir una distancia adicional.

SEGURIDAD

- El Código Eléctrico Nacional requiere el uso de un interruptor de transferencia u otro equipo de transferencia adecuado siempre que se conecte un generador portátil al sistema eléctrico de un edificio. Los interruptores de transferencia aíslan la energía del generador de la energía de la red pública y evitan la retroalimentación de energía eléctrica al sistema de la red pública. **NOTA:** Un electricista calificado debe instalar un interruptor de transferencia de acuerdo con los códigos eléctricos aplicables. Algunas jurisdicciones pueden requerir que las autoridades locales inspeccionen la instalación. Conserve toda la información relevante de instalación, inspección y mantenimiento.
- Nunca utilice el generador para alimentar equipos de asistencia médica.
- Nunca exponga el generador a la lluvia, nieve, rocío de agua o agua estancada mientras está en uso. Almacene y opere la unidad en un lugar seco o cubierto (pero no cerrado).
- No permita que niños o personas no capacitadas operen el generador.
- Mantenga a los niños, transeúntes y mascotas a una distancia mínima de 10 pies de un generador en funcionamiento.
- Mantenga la distancia segura. Mientras opera y almacena, mantenga al menos cinco pies de espacio libre en todos los lados del generador, incluida la parte superior. Apague la unidad y deje que se enfríe durante un mínimo de 30 minutos antes de guardarla. El calor generado por el silenciador y los gases de escape podría ser lo suficientemente caliente como para causar quemaduras graves y/o encender objetos combustibles.
- No opere la unidad en áreas donde se almacenen materiales combustibles o peligrosos, incluidas las estaciones de servicio de gasolina y gas natural.
- No opere el generador descalzo, con las manos o los pies mojados, mientras está parado en el agua o en condiciones húmedas.
- No use esta unidad cuando esté cansado o bajo la influencia de drogas, alcohol o medicamentos.
- Riesgo de quemaduras. No toque las superficies calientes.
- No entre en contacto con el silenciador o el motor. Están muy CALIENTES y causarían quemaduras graves. No coloque partes del cuerpo ni materiales inflamables o combustibles en el camino directo del escape.
- Mantenga las manos, los dedos, los pies y otras partes del cuerpo alejadas de todas las piezas móviles del generador.
- No conecte cables eléctricos desgastados o dañados al generador. NUNCA toque cables deshilachados o expuestos.
- No opere el generador en una pendiente. La unidad siempre debe colocarse sobre una superficie plana y estable.
- Comprobar el estado físico del producto antes de cada uso. Busque pernos sueltos, fugas de líquido y otros signos de desgaste. Reemplace todos los artículos dañados. Para piezas de repuesto o asistencia, comuníquese con nuestro equipo de servicio al cliente.
- Para un rendimiento óptimo, use el generador en temperaturas entre 23 °F (-5 °C) y 104 °F (40 °C) con una humedad relativa máxima del 90 %.
- Antes de arrancar el generador, revise todos los fluidos (aceite y gasolina).
- No quite la varilla medidora de aceite o la tapa de combustible cuando el generador esté funcionando.
- Apriete firmemente la varilla medidora de aceite después de agregar aceite y la tapa de combustible después de agregar gasolina.
- Evite el contacto de la piel con aceite de motor o gasolina. Use ropa y equipo de protección. Lave toda la piel expuesta con agua y jabón. El contacto prolongado de la piel con gasolina o aceite de motor puede causar irritación severa de la piel y otras reacciones adversas.
- El generador vibra y rebota durante el funcionamiento normal. Revise el generador y todos los cables conectados a él por cualquier daño que pueda haber resultado de la vibración. Reemplace o repare los artículos dañados según sea necesario. No utilice el generador ni ningún elemento que muestre signos de daño.
- Todas las herramientas y aparatos eléctricos que funcionen con este generador deben estar correctamente conectados a tierra mediante el uso de un tercer cable o tener doble aislamiento.
- Antes de transportar el generador, desconecte la funda de la bujía, drene el tanque de combustible y sujete adecuadamente la unidad.
- Puede haber fugas de combustible o aceite del generador durante el transporte. Coloque una toalla, una lámina de plástico o una almohadilla absorbente debajo de la unidad para proteger su vehículo.
- Para prolongar la vida útil de este producto, siga las instrucciones de la sección *Mantenimiento* de este manual.
- Reemplace los elementos dañados o desgastados con piezas de repuesto recomendadas o equivalentes. El uso de una pieza incorrecta o incompatible podría crear un peligro que podría provocar lesiones personales graves.
- Retire siempre del generador cualquier herramienta u otro equipo de servicio utilizado durante el mantenimiento antes de ponerlo en funcionamiento.

TOMA DE TIERRA

Vea la figura 3.

ADVERTENCIA

Peligro de choque. Si no se conecta a tierra correctamente el generador, se puede producir una descarga eléctrica.

AVISO

Solo use cables de extensión, herramientas y electrodomésticos de 3 clavijas con conexión a tierra, o herramientas y electrodomésticos con doble aislamiento.

El neutro del generador está flotando. El terminal de tierra del generador está conectado a la estructura del generador, las partes metálicas del generador que no conducen corriente y los terminales de tierra de cada receptáculo. El generador (devanado del estator) está aislado del marco y del pin de tierra del receptáculo de CA. Es posible que los dispositivos eléctricos que requieren una conexión de pin de receptáculo con conexión a tierra no funcionen correctamente.

Si este generador se utilizará únicamente con un equipo de cable y enchufe conectado a los receptáculos montados en

SEGURIDAD

el generador, el Código Eléctrico Nacional no requiere que la unidad esté conectada a tierra. Sin embargo, otros métodos de uso del generador pueden requerir conexión a tierra para reducir el riesgo de descarga o electrocución.

Antes de usar la terminal de tierra, consulte con un electricista calificado, un inspector eléctrico o una agencia local que tenga jurisdicción sobre los códigos u ordenanzas locales que se aplican al uso previsto del generador.

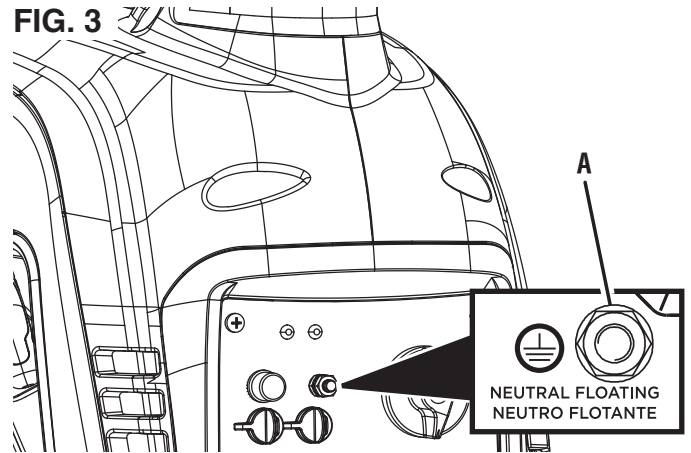
PRECAUCIONES DE SEGURIDAD PARA GASOLINA Y VAPOR DE GASOLINA

⚠ PELIGRO Peligro de incendio y explosión. La gasolina es altamente explosiva e inflamable y puede causar quemaduras graves o la muerte.

⚠ ADVERTENCIA Peligro de incendio y quemaduras. NUNCA afloje o retire la tapa de combustible mientras el generador está funcionando. Apague la unidad y deje que se enfríe durante al menos cinco minutos antes de agregar gasolina. Afloje la tapa de combustible lentamente.

⚠ ADVERTENCIA En caso de un incendio de gasolina, no intente extinguir la llama si el interruptor de control del motor/combustible no está en la posición OFF (APAGADO). Introducir un extintor a un generador con un interruptor de combustible abierto podría crear un riesgo de explosión.

- Peligro de incendio. La gasolina es altamente inflamable. Tratar con cuidado.
- Nunca use gasolina como agente de limpieza.
- La gasolina irrita la piel y debe limpiarse inmediatamente si entra en contacto con la piel.
- No almacene gasolina cerca de hornos, calentadores de agua o cualquier otro aparato que produzca calor o tenga encendido automático.
- Mantenga la gasolina alejada de chispas, llamas abiertas, llamas piloto, calor y otras fuentes de ignición.
- Almacene cualquier recipiente que contenga gasolina en un área bien ventilada, lejos de cualquier combustible o fuente de ignición.
- SIEMPRE guarde la gasolina en un recipiente aprobado para gasolina. Los recipientes no aprobados pueden romperse o deteriorarse permitiendo que se escape la gasolina o los vapores de gasolina, lo que puede crear un peligro grave.
- La gasolina tiene un olor distintivo, esto ayudará a detectar posibles fugas rápidamente.
- Los vapores de gas pueden provocar un incendio si se inflaman.
- No fume cuando manipule combustible, agregue combustible al generador o vacíe el tanque de gasolina.
- Use protección para los ojos mientras reposta.



A - Terminale de la terre

- Antes de agregar combustible al generador, apague la unidad y deje que se enfríe durante un mínimo de cinco minutos. Si es necesario, mueva la unidad a un terreno nivelado.
- No quite la tapa del tanque de combustible cuando el generador esté funcionando.
- Afloje la tapa de combustible lentamente para liberar la presión de manera segura, evitar que la gasolina se escape alrededor de la tapa y evitar que el calor del silenciador encienda los vapores de combustible.
- NUNCA llene el tanque de gasolina del generador más allá del anillo de llenado máximo en la pantalla de combustible. Mantener los niveles de gasolina en o por debajo del anillo de llenado permitirá la expansión del combustible. Llenar en exceso el tanque de combustible puede provocar un desbordamiento repentino de gasolina y provocar que la gasolina derramada entre en contacto con superficies CALIENTES.
- El combustible derramado puede encenderse. Limpie los derrames inmediatamente y permita que el área se seque antes de operar el generador. Nunca intente quemar el combustible derramado.
- Apriete firmemente la tapa de combustible después de agregar gasolina.
- No cubra la tapa de combustible mientras el generador está en funcionamiento. Cubrir la tapa puede hacer que el motor falle o dañe el producto.
- Drene el combustible antes de almacenar la unidad. Guarde la unidad y el combustible por separado en áreas bien ventiladas lejos de chispas, llamas abiertas, luces piloto, calor y otras fuentes de ignición.
- Apague la unidad y deje que se enfríe durante un mínimo de 30 minutos antes de drenar el combustible.

INFORMACIÓN IMPORTANTE PARA EL SENSOR DE CO

El sensor de CO controla la acumulación de gas venenoso de monóxido de carbono alrededor del generador cuando el motor está en marcha. Si se detectan niveles crecientes de gas CO, el sensor de CO apaga automáticamente el motor.

El sensor de CO también detectará la acumulación de monóxido de carbono de otras fuentes de combustión de

SEGURIDAD

combustible utilizadas en el área de operación. Por ejemplo, si el escape de las herramientas que queman combustible apunta a un generador equipado con un sensor de CO, se puede iniciar un apagado debido al aumento de los niveles de CO. Esto no es un error. Se ha detectado monóxido de carbono peligroso. Mueva y redirija cualquier fuente de quema de combustible adicional para disipar el monóxido de carbono lejos del personal y los edificios ocupados.

NOTA: Los generadores equipados con arranque remoto deben reiniciarse con el botón START/STOP en el panel de control después de que ocurra un apagado automático.

Los generadores están diseñados para usarse al aire libre, lejos de edificios ocupados y el escape apunta lejos del personal y los edificios. Si se usa incorrectamente y se opera en un lugar que resulta en la acumulación de CO, como en un área parcialmente cerrada, el sensor de CO apaga el motor y la luz indicadora ROJA parpadeará notificando al usuario que hay niveles peligrosos de monóxido de carbono.

Si el generador se apaga y la luz indicadora ROJA parpadea, abandone el área inmediatamente. Espere a que el monóxido de carbono se disipe y la luz indicadora ROJA se apague antes de regresar al área afectada. Una vez que sea seguro regresar, lea la etiqueta de acción para conocer los pasos a seguir. El sensor de CO NO reemplaza las alarmas de monóxido de carbono. Instale alarmas de monóxido de carbono alimentadas por baterías en su hogar.

⚠ ADVERTENCIA El apagado automático acompañado de una luz ROJA parpadeante en la parte del sensor de CO del panel de control es una indicación de que el generador se ubicó incorrectamente, lo que permitió que el monóxido de carbono se acumulara a niveles inseguros. Si comienza a sentirse enfermo, mareado, débil o los detectores de monóxido de carbono en su hogar indican una alarma, salga al aire libre de inmediato. Llame a los servicios de emergencia. Es posible que tenga intoxicación por monóxido de carbono.

ENTENDIENDO LAS LUCES INDICADORAS DEL SENSOR CO

Ve la figura 4.



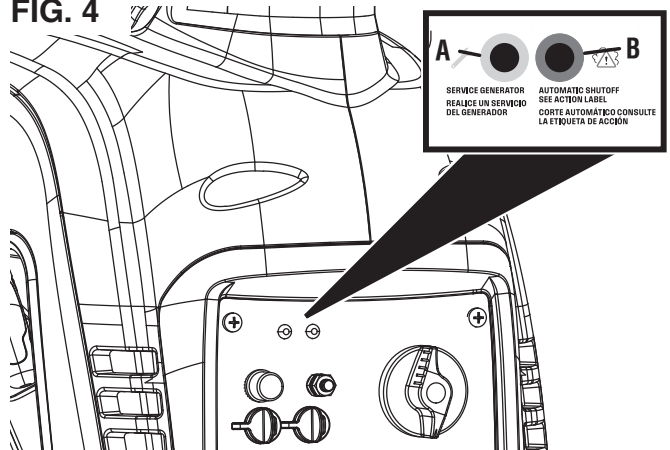
COLOR	DESCRIPCIÓN
<p style="text-align: center;">ROJA</p> 	<p>Niveles peligrosos de monóxido de carbono acumulados alrededor del generador. Después del apagado, la luz indicadora ROJA en el área del sensor de CO del panel de control parpadeará para notificar que el generador se apagó debido a que los niveles de monóxido de carbono superaron un umbral seguro. La luz ROJA parpadeará durante al menos cinco minutos después de un corte de CO. Cuando sea seguro hacerlo, mueva el generador a un área abierta al aire libre lejos de los espacios ocupados con el escape apuntando hacia afuera. Una vez reubicado en un área segura y la luz roja está apagada, se puede reiniciar el generador. Introduzca aire fresco y ventile el área donde se apagó el generador.</p>
<p style="text-align: center;">AMARILLO</p> 	<p>Ocurrió una falla en el sistema del sensor de CO. Cuando ocurre una falla en el sistema, el generador se apaga automáticamente y la luz indicadora AMARILLA en el área de apagado automático de CO del panel de control parpadeará para notificar que se ha producido una falla. La luz AMARILLA parpadeará durante al menos cinco minutos después de una falla. El generador puede reiniciarse pero puede continuar apagándose. Una falla del sensor de CO solo puede ser diagnosticada y reparada por un centro de servicio autorizado de Westinghouse.</p>

FIG. 4



A - LED del generador de servicio (service generator)
B - LED de apagado automático (automatic shutoff)

SEGURIDAD

ETIQUETAS Y CALCOMANÍAS DE SEGURIDAD

La siguiente información se encuentra en las etiquetas y calcomanías de su generador.

① Etiqueta de acción

Si se acumulan niveles peligrosos de monóxido de carbono alrededor del generador, se producirá un apagado automático. Si la unidad se apaga, abandone el área inmediatamente. Cuando sea seguro regresar, haga lo siguiente:

- Mueva el generador a un área abierta al aire libre.
- Apunte el escape hacia afuera.
- No haga funcionar el generador en áreas cerradas (por ejemplo, fuera de la casa o el garaje).
- Muévase al aire libre.
- Consiga ayuda médica si está enfermo, mareado o débil.
- **ADVERTENCIA** - La manipulación del sensor de monóxido de carbono podría resultar en una condición peligrosa.

② Dirección de escape

Apunte el escape lejos de partes del cuerpo y materiales inflamables o combustibles.

③ Símbolos de Seguridad

(Ver página 4)

④ Especificaciones

(Ver página 3)

⑤ Proposición 65 de California

Cáncer y daño reproductivo - www.P65Warnings.ca.gov/product

⑥ Monóxido de carbono

- Usar un generador en interiores **PUEDO MATARLO EN MINUTOS**. El escape del generador contiene monóxido de carbono. Este es un veneno que no se puede ver ni oler.
- **NUNCA** lo use dentro de una casa o un garaje, **INCLUSO** si las puertas y ventanas están abiertas.

⑦ Superficie caliente

No tocar



ACTION LABEL | ETIQUETA DE FUNCIONAMIENTO | ÉTIQUETTE D'ACTION

① AUTOMATIC SHUTOFF - YOU MUST:
ETIQUETA DE FUNCIONAMIENTO:
ÉTIQUETTE D'ACTION:

- MOVE GENERATOR TO AN OPEN, OUTDOOR AREA.
- POINT EXHAUST AWAY.
- DON'T RUN GENERATOR IN ENCLOSED AREAS (E.G. NOT IN HOUSE OR GARAGE).

• MOVER EL GENERADOR A UN ÁREA ABIERTA, EN EXTERIORES
• ORIENTAR EL TUBO DE ESCAPE HACIA AFUERA
• NO ACTIVAR EL GENERADOR EN ÁREAS CERRADAS (P. EJ.: EN UNA CASA O GARAJE)
• DÉPLACER LA GÉNÉRATRICE DANS UN ESPACE EXTÉRIEUR OUVERT
• DIRIGER L'ÉCHAPPEMENT LOIN DE VOUS
• NE PAS FAIRE FONCTIONNER LA GÉNÉRATRICE DANS DES ENDROITS FERMÉS (COMME DANS LA MAISON OU LE GARAGE)

+ MOVE TO FRESH AIR.
+ GET MEDICAL HELP IF SICK, DIZZY OR WEAK.

• MOVER AL AIRE LIBRE
• OBTENER ATENCIÓN MÉDICA SI SE SIENTE ENFERMO, MAREADO O DÉBIL.
• VOUS RETIRER À L'AIR FRAIS
• CONSULTER UN MÉDECIN SI VOUS ÊTES MALADE, ÉTOURDI OU FAIBLE

⚠ WARNING ADVERTENCIA AVERTISSEMENT TAMPERING WITH CARBON MONOXIDE SENSOR COULD RESULT IN HAZARDOUS CONDITION
HACER ALTERACIONES CON SENSOR DE MONÓXIDO DE CARBONO PODRÍA OCASIONAR CONDICIONES PELIGROSAS
L'ALTERATION DE CAPTEUR DE MONOXYDE DE CARBONE PEUT ENTRAÎNER DES CONDITIONS DANGEREUSES

④ Model Modelo Modèle	iGen2800c
AC Voltage Voltaje Tension alternative	120V
Running Watts Potencia (nominal) Puissance (en marche)	2200W
Peak Watts Potencia (pico) Puissance (pic)	2800W
AC Current Corriente Courant	18A
DC Voltage Voltaje Tension continue	5V
DC Current Corriente Courant	2x2.1A
Frequency Frecuencia Fréquence	60Hz
Phase Fase Phase	Single Soltero
RPM TR tr/min	up to 5000
Power Factor Factor de potencia Facteur de puissance	1.0
Insul Class Clase de aislamiento Classe d'isolation	F
Max Amb Temp Temperatura máxima Température ambiante max.	40°C (104°F)
Fuel Combustible Carburant	Gasoline Gasolina De l'essence
Fuel Tank Size Tamaño del tanque de combustible Taille du réservoir de carburant	3.7L/1G
Oil Aceite de motor Huile moteur	SAE10W-30
Oil Capacity Capacidad de aceite Capacité d'huile	.37 QT/11.8 OZ/350 ML

FOR ELECTRICAL EQUIPMENT ONLY



⚠ WARNING: Cancer and reproductive harm - www.P65Warnings.ca.gov/product

AVERTISSEMENT: Cancer et problèmes de reproduction - www.P65Warnings.ca.gov/product

ADVERTENCIA: Cáncer y daños al sistema reproductor - www.P65Warnings.ca.gov/product

⚠ DANGER
Using a generator indoors **CAN KILL YOU IN MINUTES**. Generator exhaust contains carbon monoxide. This is a poison you cannot see or smell.

NEVER use inside a home or garage, **EVEN IF** doors and windows are open.

⚠ PELIGRO
Si usa un generador en interiores, **MORIRÁ EN POCOS MINUTOS**. El escape del generador contiene monóxido de carbono. Es un veneno que no tiene olor ni se puede ver.

• **NUNCA** lo use dentro de una casa o garaje, **AUN** si las puertas y ventanas están abiertas
• Sólo úselo **EN EXTERIORES** y lejos de ventanas, puertas y ductos de ventilación.

⚠ DANGER
Utiliser un générateur à l'intérieur **PEUT VOUS TUER EN QUELQUES MINUTES**. Les gaz d'échappement du générateur contiennent du monoxyde de carbone. C'est un gaz toxique invisible et inodore.

• **NE JAMAIS** utiliser à l'intérieur d'une maison ou d'un garage, **MÊME** si les portes et les fenêtres sont ouvertes.
• Utiliser **UNIQUEMENT** à l'EXTÉRIEUR et loin des entrées, portes et ventilations.

CAPACIDAD DEL GENERADOR

AVISO

No sobrecargue la capacidad del generador. Exceder la capacidad de vataje/amperaje del generador puede dañar el generador y/o los dispositivos eléctricos conectados a él.

Revise las **Especificaciones** de este generador y registre los watts de funcionamiento (continuos) y máximos (de arranque). En general, cuanto mayor sea la potencia, más dispositivos se pueden alimentar al mismo tiempo. Deben tenerse en cuenta los requisitos de alimentación total de todos los dispositivos conectados. Los requisitos de energía a menudo se enumeran en la etiqueta de datos o placa de identificación de un dispositivo.

Para determinar los requisitos de energía:

- Elija los dispositivos que desea alimentar simultáneamente.
- Registre y sume los watts de funcionamiento (continuos) de cada dispositivo. El generador debe producir continuamente esta cantidad de vataje para mantener los dispositivos en funcionamiento.
- Registre los watts máximos (inicial) de cada dispositivo. Esta es la oleada momentánea de energía requerida para arrancar motores eléctricos en algunas herramientas y electrodomésticos.
- Seleccione el dispositivo con el vataje máximo (inicial) más alto. Sume los watts máximos (inicial) de ese dispositivo al total de watts en funcionamiento (continuos) de todos los dispositivos conectados para determinar el requisito de potencia máxima total para el generador.

NOTA: El requerimiento total de potencia máximo total asume el arranque intermitente de los dispositivos. Ajuste la estimación si los dispositivos alcanzan el potencia máximo al mismo tiempo.

GESTIÓN DE LA ENERGÍA DEL GENERADOR

Para prolongar la vida útil del generador, tenga cuidado al agregar cargas eléctricas. Desconecte todas las cargas antes de arrancar el generador. La forma más segura de administrar la energía del generador es agregar cargas secuencialmente haciendo lo siguiente:

- Retire todas las cargas y arranque el generador como se describe más adelante en este manual.
- Conecte e inicie el dispositivo o aparato más grande. Los requisitos de energía a menudo se enumeran en la etiqueta de datos o placa de identificación de un dispositivo.
- Permita que la salida del generador se estabilice. Una vez estable, el motor debería funcionar sin problemas y el dispositivo debería funcionar correctamente.
- Conecte e inicie el siguiente dispositivo o aparato más grande.
- Permita que la salida del generador se estabilice.
- Repita este proceso para cada carga adicional.

CABLES DE EXTENSIÓN



ADVERTENCIA

Peligro de asfixia. Los cables de extensión que van directamente a la casa aumentan el riesgo de envenenamiento por monóxido de carbono a través de cualquier abertura. Si se utiliza un cable de extensión que se conecta directamente a su hogar para alimentar elementos interiores, existe el riesgo de envenenamiento por monóxido de carbono para las personas que se encuentran dentro del hogar. Siempre use detectores de monóxido de carbono alimentados por batería que cumplan con los estándares de seguridad UL 2034 actuales cuando haga funcionar el generador. Controle regularmente la batería del (de los) detector(es).



ADVERTENCIA

Peligro de asfixia. Cuando opere el generador con cables de extensión, asegúrese de que el generador esté ubicado en un área abierta al aire libre lejos de los espacios ocupados con el escape apuntando hacia afuera.



ADVERTENCIA

Peligro de incendio y electrocución. Nunca use cables de extensión desgastados o dañados. Los cables de extensión dañados o sobrecargados pueden sobrecalentarse, formar arcos eléctricos y quemarse, lo que podría causar la muerte o lesiones graves.

Antes de conectar un aparato de CA o un cable de alimentación al generador:

- Use cables de extensión, herramientas y electrodomésticos con conexión a tierra de 3 clavijas, o herramientas y electrodomésticos con doble aislamiento.
- Asegúrese de que la herramienta o aparato esté en buenas condiciones de funcionamiento. Los electrodomésticos o cables de alimentación defectuosos pueden crear un potencial de descarga eléctrica.
- Asegúrese de que la clasificación eléctrica de la herramienta o aparato no exceda la potencia nominal del generador o del receptáculo que se está utilizando.

AVISO

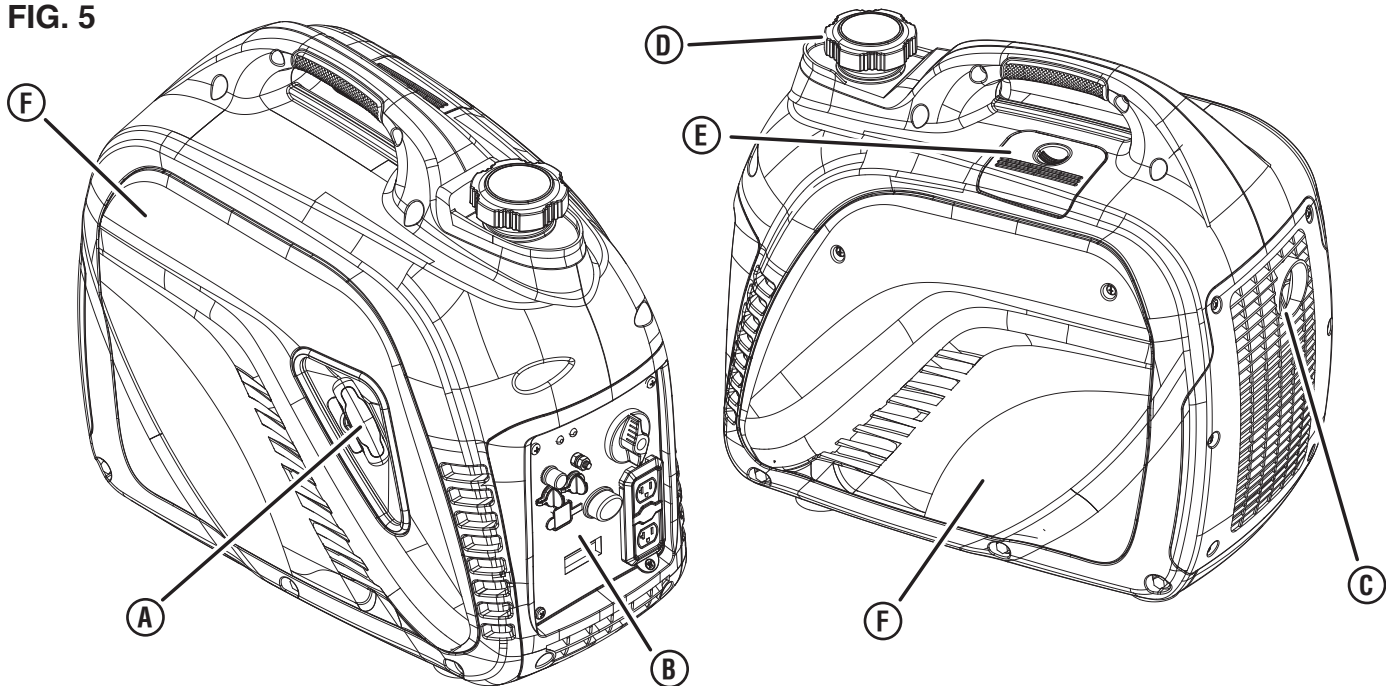
No exceda la capacidad de la unidad. Sobrecargar la capacidad de vataje y/o amperaje del generador podría dañar los dispositivos conectados y los componentes críticos del generador.

TAMAÑO DEL CABLE DE EXTENSIÓN

Asegúrese de que su cable de extensión pueda transportar la carga requerida. Los cables que son demasiado pequeños pueden causar una caída de voltaje que puede causar que el cable se sobrecaliente o cause daños a la propiedad. Consulte las pautas del fabricante del cable para conocer el tamaño y la longitud adecuados.

COMPONENTES

FIG. 5



A - Manija de retroceso
B - Panel de control

C - Silenciador/parachispas
D - Tapa de combustible

E - Puerta de servicio de bujías
F - Cubierta de servicio del motor

ENTENDIENDO SU GENERADOR

Vea las figuras 5 y 6.

Para reducir el riesgo de lesiones y fallas del producto, lea y comprenda la información de este manual del usuario, así como la información de la etiqueta del producto.

RECEPTÁCULOS DE 120 VOLTIOS CA

Esta unidad tiene dos receptáculos de 120 V, 18 A capaces de alimentar una variedad de electrodomésticos, herramientas y equipos.

LUCES INDICADORAS DEL SENSOR DE CO

El sensor de CO monitorea la acumulación de monóxido de carbono venenoso. Si se detectan niveles crecientes de gas CO, el sensor de CO apaga automáticamente el motor.

INTERRUPTOR DE MODO ECO

El modo Eco minimiza el consumo de combustible y el ruido al ajustar las RPM del motor al mínimo requerido para la carga actual.

TANQUE DE COMBUSTIBLE

El generador tiene un tanque de combustible con una capacidad de 3,7 litros (0,98 galones).

TERMINAL DE TIERRA

El terminal de tierra se utiliza para conectar a tierra externamente el generador.

CENTRO DE DATOS LED

Muestra el tiempo de funcionamiento restante (F), la potencia de salida en kW (P), el nivel de combustible en litros (L), la salida de voltaje (V) y las horas de vida útil.

SILENCIADOR Y PARACHISPAS

El parachispas evita que las chispas salgan del silenciador. Debe ser removido para el servicio.

AVISO

El parachispas es un dispositivo de seguridad que evita que las chispas salgan del silenciador y creen un riesgo de incendio. En ciertos lugares, la ley puede exigir un parachispas. Es responsabilidad del operador conocer y seguir todas las leyes y reglamentos locales relacionados con los requisitos de prevención de incendios.

VARILLA MEDIDORA DE ACEITE

Desenrosque la varilla medidora de aceite para verificar los niveles de aceite y agregue aceite cuando sea necesario.

LED DE SALIDA LISTA (OUTPUT READY LED)

Se ilumina cuando el generador está funcionando normalmente. Indica que el generador está produciendo energía eléctrica en los receptáculos.

RESTABLECIMIENTO DE SOBRECARGA

El generador apagará automáticamente toda la salida de CA para proteger el generador si se sobrecarga o si hay un cortocircuito en un aparato conectado.

MANIJA DE RETROCESO

Use la manija de retroceso (y el interruptor de control de motor/combustible) para arrancar el generador.

PUERTA DE SERVICIO DE BUJÍAS

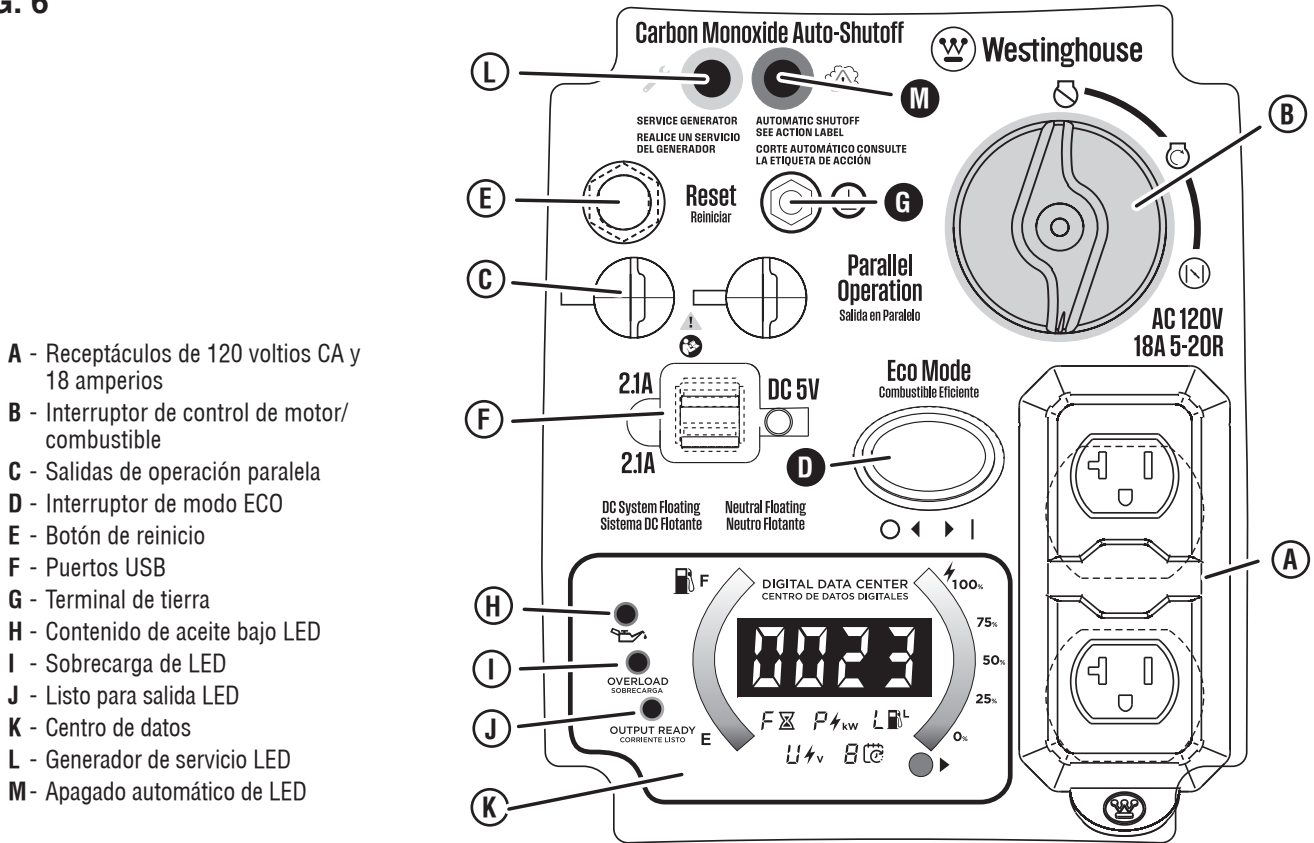
Levante la puerta de servicio de la bujía para acceder a la bujía.

PUERTOS USB

Salida USB de dos puertos 5V/2.1A. Acepta enchufes USB tipo A.

COMPONENTES

FIG. 6



MONTAJE

EXTRACCIÓN DEL CONTENIDO DE LA CAJA

ADVERTENCIA Este producto no requiere montaje. No intente operar este producto si no está completamente ensamblado. El uso de un producto ensamblado incorrectamente puede ser peligroso y podría provocar lesiones personales graves.

- Retire e inspeccione el contenido de la caja. Verifique que todos los artículos en la **LISTA INCLUIDA** estén presentes y sin daños.
- Recicle o deseché los materiales de embalaje de forma adecuada.

LISTA INCLUIDA

Generador, aceite de motor (SAE 10W 30), embudo, llave de tubo para bujías, guía de inicio rápido, manual del usuario

Si falta alguna pieza, comuníquese con nuestro equipo de servicio a service@wpowereq.com o llame al 1-855-944-3571.

ADVERTENCIA No altere ni modifique este producto a menos que así lo indique este manual o el fabricante. No utilice aditamentos o accesorios que no estén recomendados para su uso con este producto. Hacer modificaciones no autorizadas y usar accesorios incompatibles pueden dañar la unidad y anular la garantía.

INFORMACIÓN GENERAL

Este generador portátil puede proporcionar energía a una amplia gama de artículos, incluidos electrodomésticos, herramientas en el lugar de trabajo, equipo de campamento, elementos esenciales para el seguimiento de vehículos y mucho más.

AVISO **ESTE GENERADOR SE HA ENVIADO SIN ACEITE.** No intente hacer girar o arrancar el motor antes de que haya sido debidamente reparado con el aceite recomendado. Si no agrega aceite de motor antes de arrancar, se producirán daños graves en el motor que no están cubiertos por la garantía.

OPERACIÓN

PELIGRO

El escape del generador contiene altos niveles de monóxido de carbono (CO), un gas invisible, inodoro y extremadamente venenoso. Si huele los gases de escape, está respirando monóxido de carbono. Pero, incluso si no huele los gases de escape, es posible que esté inhalando CO.

SOLAMENTE opere los generadores al aire libre, en un área bien ventilada. NUNCA opere generadores en el interior, hacerlo PUEDE MUERTE EN MINUTOS.

• **Uso correcto:** Use los generadores solo al aire libre y a favor del viento, lejos de ventanas, puertas y rejillas de ventilación. Dirija siempre el escape lejos de los espacios ocupados. Instale siempre detectores de monóxido de carbono alimentados por batería o detectores de monóxido de carbono enchufables con respaldo de batería en las áreas habitables. *Vea la figura 1.*

• **Uso incorrecto:** NUNCA use un generador en su casa, garaje, sótano, ático, sótano o cualquier otra área total o parcialmente cerrada. Áreas como estas pueden permitir que se acumulen niveles peligrosos de monóxido de carbono. Una puerta abierta o un ventilador en funcionamiento NO proporcionarán una ventilación adecuada. *Vea la figura 2.*

Si comienza a sentirse mareado, débil o enfermo mientras usa el generador, muévase al aire libre inmediatamente. Póngase en contacto con un médico. Es posible que esté experimentando una intoxicación por monóxido de carbono.

ADVERTENCIA

No altere ni modifique este producto a menos que así lo indique este manual o el fabricante. No utilice aditamentos o accesorios que no estén recomendados para su uso con este producto. Hacer modificaciones no autorizadas y usar accesorios incompatibles pueden dañar la unidad y anular la garantía.

AVISO

En ciertas circunstancias, el Código Eléctrico Nacional puede requerir que el generador esté conectado a tierra a una tierra aprobada. Consulte con un electricista calificado para determinar los requisitos de conexión a tierra antes de la operación.

ADVERTENCIA

Evite el contacto de la piel con aceite de motor o gasolina. Use ropa y equipo de protección. Lave toda la piel expuesta con agua y jabón. El contacto prolongado de la piel con gasolina o aceite de motor puede causar irritación severa de la piel y otras reacciones adversas.

AVISO

Verifique el estado físico del producto antes de cada uso. Busque pernos sueltos, fugas de líquido y otros signos de desgaste. Reemplace todos los artículos dañados.

CONOZCA CÓMO UBICAR Y OPERAR SU GENERADOR DE FORMA SEGURA

PELIGRO

Peligro de asfixia. Coloque el generador en un área bien ventilada. NO coloque el generador cerca de ventilaciones o tomas donde los gases de escape puedan ingresar a espacios ocupados o confinados. Considere cuidadosamente las corrientes de viento y aire al colocar el generador.

ADVERTENCIA

Peligro de electrocución. Nunca use el generador en un lugar mojado o húmedo. Nunca exponga el generador a la lluvia, nieve, rocío de agua o agua estancada mientras está en uso. Proteja el generador de todas las condiciones climáticas peligrosas. La humedad o el hielo pueden causar un cortocircuito u otro mal funcionamiento en el circuito eléctrico. El uso de un generador o aparato eléctrico en condiciones de humedad, como lluvia o nieve, o cerca de una piscina o sistema de rociadores, o cuando sus manos están mojadas, podría resultar en electrocución.

ADVERTENCIA

Peligro de incendio. Solo opere el generador en una superficie sólida y nivelada. Hacer funcionar el generador sobre una superficie con material suelto, como arena o recortes de césped, puede hacer que el generador ingiera desechos que podrían bloquear las rejillas de ventilación o el sistema de admisión de aire. Deje que el generador se enfríe durante 30 minutos antes de transportarlo o almacenarlo.

- Lea y comprenda toda la información de seguridad antes de arrancar el generador (*vea las páginas 4 a 9*).
- NUNCA use un generador en su casa, garaje, sótano, ático, sótano o cualquier otra área total o parcialmente cerrada. Áreas como estas pueden permitir que se acumulen niveles peligrosos de monóxido de carbono. El monóxido de carbono (CO), un gas invisible, inodoro y extremadamente venenoso, PUEDE MATARLO EN MINUTOS.
- No opere el generador en la parte trasera de un SUV, casa rodante, remolque, cama de camión (normal, plano o de otro tipo), debajo de escaleras, junto a paredes o edificios, o en cualquier otro lugar que no permita el enfriamiento adecuado de el generador y/o el silenciador. Operar el generador en áreas cerradas o parcialmente cerradas permitirá que se acumulen niveles peligrosos de CO.
- NO contenga generadores durante el funcionamiento.
- Solo use EXTERIOR y lejos de ventanas, puertas y rejillas de ventilación según lo recomendado por los Centros para el Control y la Prevención de Enfermedades del Departamento de Salud y Servicios Humanos de EE. UU. Su hogar específico y/o las condiciones del viento pueden requerir una distancia adicional.
- No opere el generador en una pendiente. La unidad siempre debe colocarse sobre una superficie plana y estable.
- El generador debe estar sobre una superficie plana y nivelada en todo momento (incluso cuando no esté en funcionamiento).
- El generador debe tener al menos 5 pies (1,5 m) de espacio libre de todo material combustible.

OPERACIÓN

CONOZCA LA NORMATIVA PARA EL USO DE GENERADORES PORTÁTILES

Considere dónde y cómo pretende usar su generador y familiarícese con las ordenanzas locales, estatales o federales relacionadas con su uso previsto. Puede ser necesario ponerse en contacto con un electricista calificado o una agencia gubernamental local para obtener una lista completa de los requisitos.

AÑADIR ACEITE/COMPROBAR EL NIVEL DE ACEITE

Vea la figuras 7 y 8.

Si su producto tiene un manual del motor separado, ignore la información de esta sección y siga las instrucciones del manual del motor.

AVISO ESTE GENERADOR SE HA ENVIADO SIN ACEITE. No intente hacer girar o arrancar el motor antes de que haya sido debidamente reparado con el aceite recomendado. Si no agrega aceite de motor antes de arrancar, se producirán daños graves en el motor que no están cubiertos por la garantía.

AVISO El uso de aceite de ciclo de 2 tiempos u otros tipos de aceite no aprobados puede causar daños graves al motor que no están cubiertos por la garantía.

El tipo de aceite recomendado incluido para uso típico es aceite de motor 10W-30. Si hace funcionar el generador en temperaturas extremas, consulte el siguiente cuadro.

Tipo de aceite de motor recomendado									
		10W-30							
	5W-30					10W-40			
	5W-30 Sintética								
°F	-20	0	20	40	60	80	100	120	
°C	-28.9	-17.8	-6.7	4.4	15.6	26.7	37.8	48.9	
	Temperatura ambiente								

NOTA: Compruebe el nivel de aceite del motor antes de cada uso o cada 8 horas de funcionamiento.

- Apague el generador y deje que el motor se enfríe durante al menos cinco minutos.
- Coloque el generador en una superficie nivelada en un área bien ventilada.

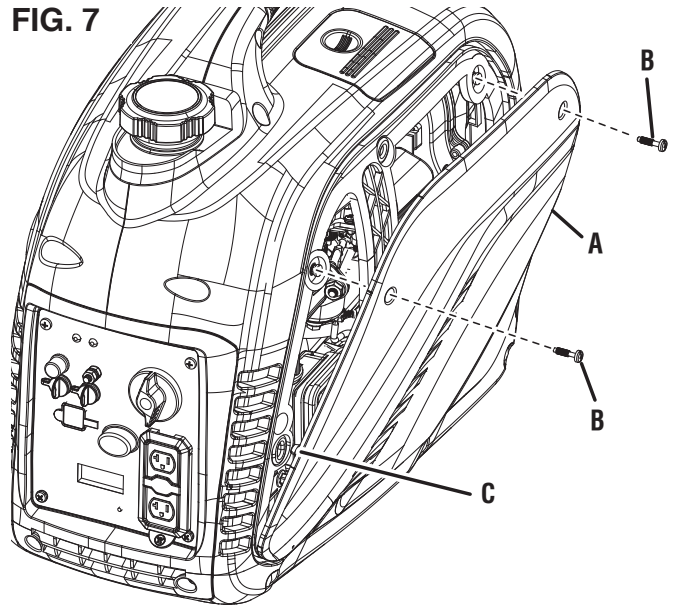
Quite la tapa de servicio del motor para acceder al filtro de aire, el carburador, el llenado/drenaje de aceite y la varilla medidora. Quite los dos tornillos de la cubierta, luego retire suavemente la cubierta con ambas manos para evitar dañar los postes de los ojalos de la cubierta.

- Limpie el área alrededor de la varilla de nivel de aceite.

Para el llenado inicial de aceite:

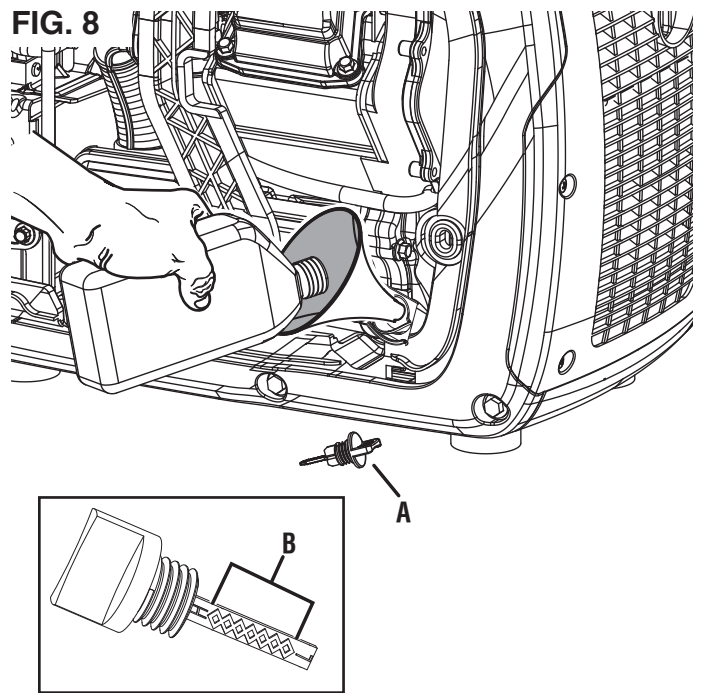
- Desenrosque lentamente y retire la varilla de nivel de aceite.
- Con el embudo, vierta lentamente el aceite de motor suministrado en el orificio de llenado de aceite. Deténgase con frecuencia para asegurarse de no sobrellenar.

FIG. 7



- A - Cubierta de servicio del motor
- B - Posición bloqueada
- C - Posición desbloqueada

FIG. 8



- A - Varilla de nivel de aceite
- B - Rango de funcionamiento seguro

NOTA: Su generador fue probado funcionalmente en la fábrica y puede contener un mínimo de aceite residual. Se requiere aceite adicional para operar la unidad. No llene demasiado.

- Vuelva a colocar y apriete la varilla de nivel de aceite.
- Instale la cubierta de servicio del motor y gire la perilla de bloqueo a la posición de bloqueo para asegurarla.

Para comprobar el nivel de aceite:

- Desenrosque lentamente y retire la varilla medidora de aceite.

OPERACIÓN

- Limpie la varilla medidora y vuelva a colocarla dentro del orificio de llenado de aceite. No enrosque la varilla medidora.
- Retire la varilla medidora y verifique que el nivel de aceite esté dentro del rango de funcionamiento seguro.
- Si el nivel de aceite es bajo, agregue gradualmente el aceite de motor recomendado y vuelva a verificar hasta que el nivel esté dentro del rango de funcionamiento seguro.
- Vuelva a colocar la varilla de nivel de aceite y apriete a mano.
- Instale la cubierta de servicio del motor y los tornillos. Apriete firmemente.

REQUISITOS DE GASOLINA

AVISO

No use combustible E15 o E85 en este producto. La garantía no cubre los daños al motor o al equipo causados por combustible obsoleto o el uso de combustibles no aprobados (como mezclas de etanol E15 o E85). Utilice únicamente gasolina sin plomo que contenga hasta un 10 % de etanol.



- SIEMPRE use gasolina LIMPIA, FRESCA, sin plomo (87–93 octanos) en esta unidad. NUNCA use gasolina VIEJA, VACIADA o CONTAMINADA.
- Se acepta hasta un 10 % de etanol (gasohol) (donde esté disponible; se recomienda combustible que no sea etanol).
- NO use E85 o E15.
- NO use una mezcla de gasóleo.
- NO modifique el motor para que funcione con combustibles alternativos.

USO DEL ESTABILIZADOR DE COMBUSTIBLE

Agregar un estabilizador de combustible (no incluido) prolonga la vida útil del combustible y ayuda a evitar la formación de depósitos que pueden obstruir el sistema de combustible. Siga las instrucciones de uso del fabricante.

Siempre mezcle la cantidad correcta de estabilizador de combustible con gasolina en un recipiente de gasolina aprobado antes de alimentar el generador. Haga funcionar el generador durante cinco minutos para permitir que el estabilizador trate todo el sistema de combustible.

AGREGANDO GASOLINA

Vea las figuras 9 y 10.

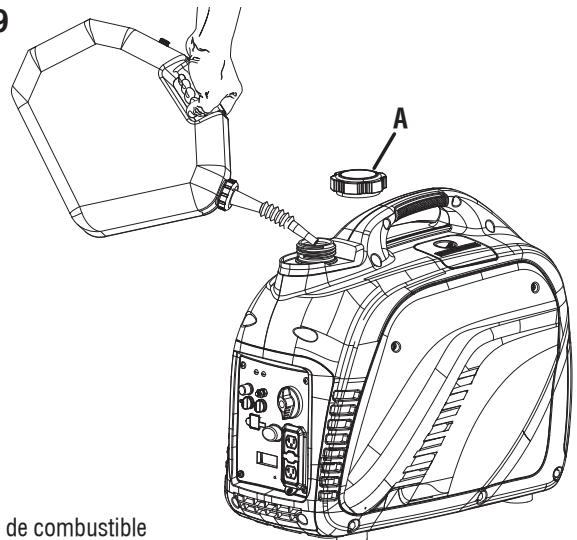
PELIGRO

Peligro de incendio y explosión. Nunca quite la tapa de combustible ni reabastezca el generador mientras el motor está funcionando. No fume ni cree chispas mientras repostar. Apague siempre el motor y deje que el generador se enfríe durante al menos cinco minutos antes de repostar.

PELIGRO

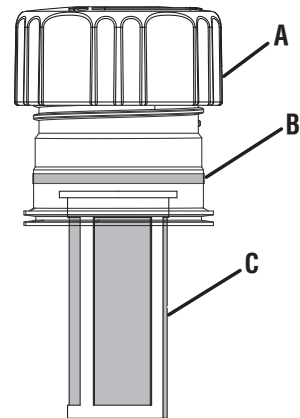
Peligro de incendio y explosión. No sobrellene el tanque de combustible. Llene solo hasta el anillo rojo de llenado máximo en la pantalla de combustible. El sobrellenado puede causar que el combustible se derrame sobre el motor y cause un riesgo de incendio o explosión.

FIG. 9



A - Tapa de combustible

FIG. 10



A - Tapa de combustible
B - Línea de llenado máximo
C - Filtro de pantalla



ADVERTENCIA

Nunca use un contenedor de gasolina, un tanque de gasolina o cualquier otro artículo de combustible que esté roto, cortado, rasgado o dañado.

AVISO

Solo llene el tanque con un contenedor de gasolina aprobado. Asegúrese de que el contenedor de gasolina esté internamente limpio y en buenas condiciones para evitar la contaminación del sistema de combustible.

- Apague el generador y deje que el motor se enfríe durante al menos cinco minutos.
- Coloque el generador en una superficie nivelada en un área bien ventilada. **NO reposte en interiores.**
- Limpie el área alrededor de la tapa de combustible y retire la tapa lentamente.
- Agregue lentamente el combustible recomendado. No llene demasiado.

NOTA: El nivel de gasolina NO debe ser más alto que el anillo rojo de llenado máximo en la pantalla de combustible.

- Instale la tapa de combustible. Apriete firmemente.
- Limpie cualquier derrame de combustible.
- Aléjese al menos 30 pies del área de reabastecimiento de combustible antes de volver a arrancar el motor.

OPERACIÓN

AVISO

El combustible puede dañar la pintura y el plástico. Tenga cuidado al llenar el tanque de combustible. Los daños causados por el combustible derramado no están cubiertos por la garantía.

AVISO

Limpie el filtro de malla de combustible de residuos antes y después de cada repostaje. Retire el filtro de pantalla de combustible comprimiéndolo ligeramente mientras lo retira del tanque de combustible.

FUNCIONAMIENTO A GRAN ALTITUD

La potencia del motor se reduce a mayor altura sobre el nivel del mar. La producción se reducirá aproximadamente un 3,5% por cada 1000 pies de aumento de altitud desde el nivel del mar.

Se requiere un ajuste de gran altitud para operar a altitudes superiores a 5000 pies (1524 m). La operación sin este ajuste provocará una disminución del rendimiento, un mayor consumo de combustible y un aumento de las emisiones.

AVISO

NO opere el generador a altitudes inferiores a 762 m (2000 pies) con el kit para altitudes elevadas instalado. Se pueden producir daños en el motor.

Kit de carburador de gran altitud	Numero de pieza# 518921-01
--	-----------------------------------

CENTRO DE DATOS

Vea la figura 11.

Presione el botón de modo para recorrer los modos de visualización de datos.

Voltaje: Muestra la salida de voltaje actual.

Frecuencia (Hz): Muestra la frecuencia de salida de potencia en hercios.

Horas de por vida: Muestra las horas de funcionamiento de por vida.

Nivel de combustible: Indica cuánta gasolina queda en el tanque de combustible.

Tiempo de ejecución/mantenimiento: Muestra el tiempo de ejecución actual. Se restablece a cero cuando se apaga. Recordatorio de mantenimiento que se muestra cuando es necesario.

Códigos de mantenimiento:

P25 – Cambiar aceite de motor

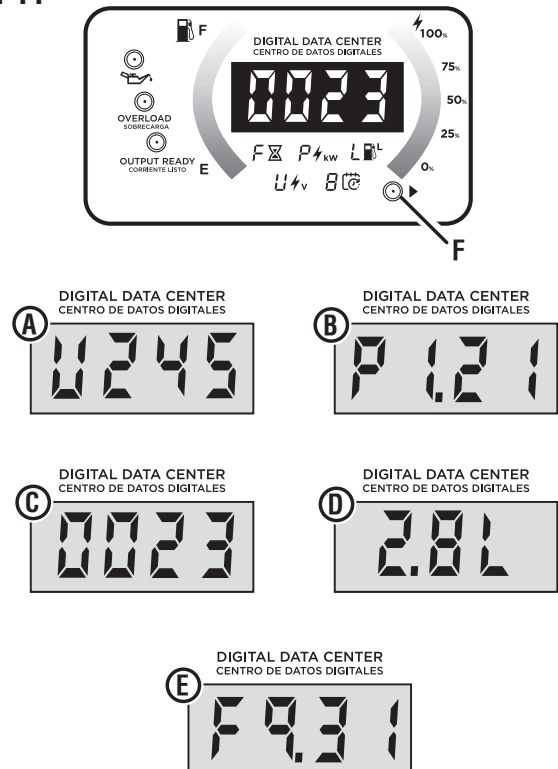
P50 – Limpiar filtro de aire, Cambiar aceite de motor

P100 – Cambie el aceite del motor, limpie el filtro de aire, reemplace el filtro de combustible

PERÍODO DE RODAJE

Para un rodaje adecuado, no exceda el 50 % de los watts nominales de funcionamiento durante las primeras cinco horas de funcionamiento.

FIG. 11



- A - Voltaje
- B - Potencia de salida
- C - Horas de por vida
- D - Nivel de combustible
- E - Recordatorio de tiempo de funcionamiento/mantenimiento
- F - Botón de modo

Utilice el aceite suministrado hasta que se recomiende por primera vez el cambio de aceite. No utilice aceite totalmente sintético durante el período de rodaje. El aceite totalmente sintético puede impedir que se rompan y asienten correctamente los anillos del pistón.

Varié la carga ocasionalmente para permitir que los devanados del estator se calienten y enfríen y ayuden a asentar los anillos del pistón.

ANTES DE PONER EN MARCHA EL GENERADOR

Verificar que:

- El generador se coloca en un lugar seguro y apropiado.
- El generador está sobre una superficie seca, plana y nivelada.
- Los niveles de aceite y combustible están dentro del rango de funcionamiento seguro.
- Todas las cargas están desconectadas de los receptáculos del panel de control.
- El interruptor de modo ECO está en la posición APAGADO.

⚠ PELIGRO

Peligro de incendio y explosión. NO mueva ni incline el generador durante el funcionamiento.

OPERACIÓN

ARRANCANDO EL GENERADOR

Vea la figuras 12 y 13.

- Coloque el generador en un lugar seguro y apropiado.
- Desenchufe todas las cargas.
- Asegúrese de que el interruptor de modo ECO esté en la posición APAGADO.
- Revisar los niveles de aceite y combustible. Si es necesario, agregue combustible o aceite como se describe anteriormente.
- Coloque el interruptor de control del motor/combustible en la posición de encendido (I).
- Sujete con firmeza y tire lentamente de la manija de retroceso hasta que sienta una mayor resistencia. En este punto, tire rápidamente de la manija de retroceso del generador hasta que arranque el motor.

NOTA: Vuelva a colocar suavemente el mango de retroceso en su lugar después de encender la unidad. No permita que se golpee contra la unidad. Durante el arranque inicial, es posible que se requieran tirones adicionales para cebar la bomba de combustible.

- Cuando el OUTPUT READY LED (LED de salida lista) se ilumina, puede conectar cargas de manera segura a los receptáculos del panel de control.

NOTA: Verifique que todos los dispositivos estén apagados antes de conectarlos al generador.

NOTA: Asegúrese de que los requisitos de vataje para todos los dispositivos conectados estén en línea con las capacidades de su generador.

- Conecte e inicie el dispositivo o aparato más grande.
- Permita que la salida del generador se establezca. Una vez estable, el motor debería funcionar sin problemas y el dispositivo debería funcionar correctamente.
- Conecte e inicie el siguiente dispositivo o aparato más grande.
- Permita que la salida del generador se establezca.
- Repita este proceso para cada carga adicional.

PARAR EL GENERADOR

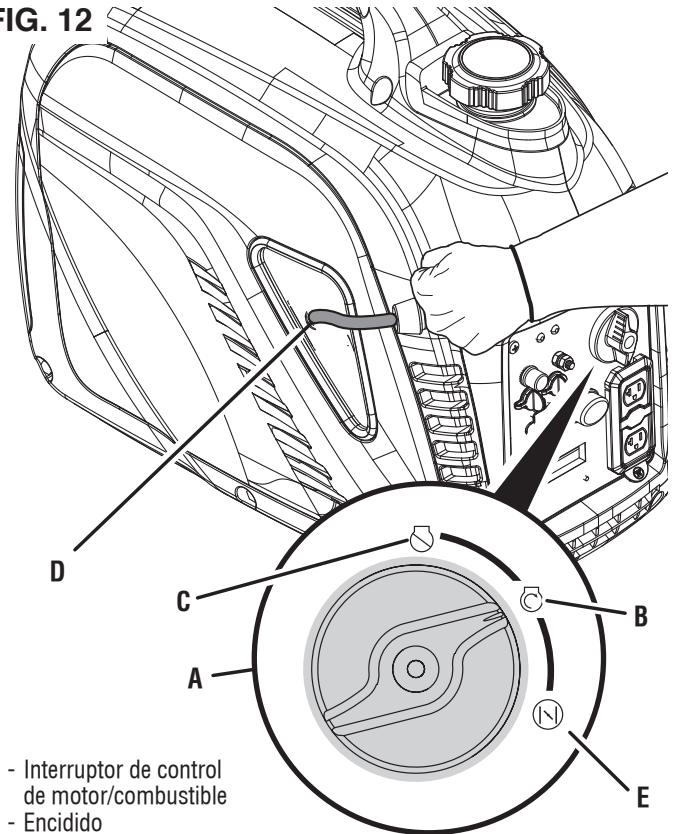
Vea la figuras 12 y 13.

- Retire cualquier carga conectada de los receptáculos del panel de control.
- Permita que el generador funcione "sin carga" para reducir y estabilizar las temperaturas del motor y del alternador.
- Gire el interruptor de control del motor/combustible a la posición OFF (APAGADO).

Para detener la unidad rápidamente en caso de emergencia:

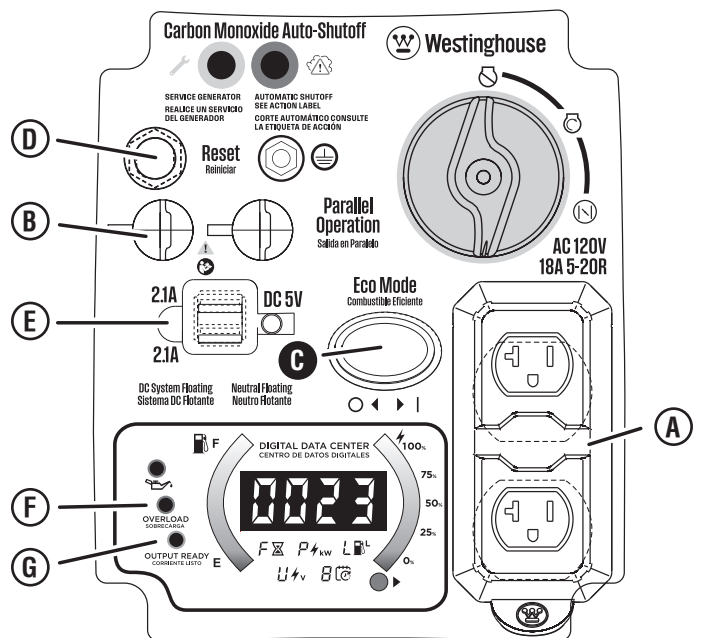
- Gire el interruptor de control del motor/combustible a la posición OFF (APAGADO).

FIG. 12



- A - Interruptor de control de motor/combustible
- B - Encendido
- C - Gasolina OFF
- D - Mango de retroceso de tracción
- E - Estrangulamiento

FIG. 13



- A - Receptáculos de 120 voltios CA y 18 amperios
- B - Salidas de operación paralela
- C - Interruptor de modo ECO
- D - Botón de reinicio
- E - Puertos USB
- F - LED de sobrecarga
- G - LED listo para salida

OPERACIÓN

INDICADOR DE ACEITE BAJO

Vea la figura 13.

El LED de bajo nivel de aceite en el panel de control se iluminará cuando la unidad tenga poco aceite o se haya quedado sin aceite. El generador no arrancará cuando el indicador esté encendido. Para reanudar el funcionamiento normal, agregue aceite de motor como se describe anteriormente en esta sección. No intente hacer girar o arrancar el motor antes de que haya sido debidamente reparado con el aceite recomendado.

MODO ECO

Vea la figura 13.

AVISO

Siempre arranque el generador con el interruptor de modo ECO en la posición apagado. Permita que la velocidad del motor se estabilice y que el OUTPUT READY LED (LED de salida lista) se ilumine antes de poner el interruptor de modo ECO en la posición de encendido.

AVISO

No utilice el modo ECO cuando esté funcionando en paralelo con otro generador inversor Westinghouse.

El modo ECO minimiza el consumo de combustible y el ruido al ajustar las RPM del motor al mínimo requerido para la carga actual.

Encienda el modo ECO cuando encienda pequeños electrodomésticos con cargas continuas, como una computadora o luz eléctrica.

Apague el modo ECO cuando alimente grandes cargas de sobretensión, como un acondicionador de aire o una bomba eléctrica.

Para activar el modo ECO, verifique que el OUTPUT READY LED (LED de salida lista) esté iluminado, luego empuje el interruptor a la posición de encendido. Si no hay carga presente, las RPM del generador caerán a la velocidad de ralentí. El generador detectará las cargas a medida que se aplican y aumentará las RPM del motor.

Para hacer funcionar el generador a máxima potencia y RPM, coloque el interruptor de modo ECO en la posición apagado.

SOBRECARGA RESTABLECER

Vea la figura 13.

No sobrecargue el generador. Si el generador se acerca o ha alcanzado una condición de sobrecarga, se iluminará el OVERLOAD LED (LED de sobrecarga) en el panel de control.

Si el generador está a punto de sobrecargarse, el OVERLOAD LED (LED de sobrecarga) parpadeará. Apague y retire uno o más dispositivos conectados para disminuir la carga y reanudar el funcionamiento normal. Si la carga no se reduce, la unidad alcanzará una condición de sobrecarga. Para prolongar la vida útil del generador, evite hacer funcionar la unidad cerca de su capacidad.

Si el generador está sobrecargado o si hay un cortocircuito en un dispositivo conectado, el OVERLOAD LED (LED de sobrecarga) se iluminará y la unidad se desconectará automáticamente de la carga. El motor seguirá funcionando, pero no habrá salida eléctrica.

Para restaurar la salida eléctrica después de una sobrecarga:

- Retire cualquier carga conectada de los receptáculos del panel de control.
- Presione el botón de reinicio en el panel de control hasta que el OVERLOAD LED (LED de sobrecarga) se apague y el OUTPUT READY LED (LED de salida lista) se ilumine.
- Restablezca los disyuntores si están activados.
- Verifique que las cargas transitorias y de funcionamiento previstas no excedan la capacidad del generador.
- Vuelva a conectar las cargas eléctricas secuencialmente, permitiendo que el generador se estabilice después de conectar cada carga.

PUERTOS USB

Vea la figura 13.

Utilice los puertos USB y los cables USB (no incluidos) para cargar dispositivos compatibles con USB, como teléfonos, tabletas y altavoces (hasta 2,1 amperios).

NOTA: Los puertos USB están diseñados solo para cargar y no tienen capacidades de comunicación o transferencia de datos.

FUNCIONAMIENTO PARALELO

Vea la figura 13.



ADVERTENCIA

Peligro de incendio y electrocución. Nunca conecte ni desconecte los cables paralelos cuando el generador esté funcionando.



PRECAUCIÓN

La conexión correcta de los cables izquierdo y derecho es muy importante cuando los generadores se utilizan con un interruptor de transferencia para suministrar energía a un edificio. Para evitar lesiones personales graves o daños a los dispositivos eléctricos, incluidos los generadores, no intente alimentar un sistema eléctrico en un edificio sin usar un interruptor de transferencia aprobado.

AVISO

Conectarse a un generador que no es compatible puede causar una salida de bajo voltaje que puede dañar las herramientas y los aparatos alimentados por el generador.

La operación en paralelo le brinda la capacidad de conectarse a un generador inversor Westinghouse compatible para un funcionamiento combinado y una salida de potencia máxima.

Se necesita un cable paralelo o un cable paralelo montado en receptáculo para la operación en paralelo. Los cables compatibles se venden por separado.

Consulte el manual del usuario incluido con su cable paralelo o cable paralelo montado en receptáculo para obtener instrucciones de instalación y operación.

TRANSPORTE

- Apague el generador.
- Deje que el generador se enfríe un mínimo de 30 minutos antes de transportarlo.

OPERACIÓN

- Vuelva a colocar todas las cubiertas protectoras en el panel de control del generador.
- Solo use la manija fija del generador para levantar la unidad o sujetar cualquier restricción de carga, como cuerdas o correas de amarre. NO intente levantar o asegurar el generador agarrándolo de cualquiera de sus otros componentes.
- Mantenga la unidad nivelada durante el transporte para minimizar la posibilidad de fugas de combustible o, si es

posible, drene el combustible o haga funcionar el motor hasta que el tanque de combustible esté vacío antes del transporte.

⚠ PRECAUCIÓN Peligro de incendio. NO vuelque el generador ni lo coloque de costado. El combustible o el aceite pueden tener fugas y dañar el generador.

MANTENIMIENTO

⚠ ADVERTENCIA Arranque accidental. Desconecte el capuchón de la bujía (Vea la figura 17) de la bujía cuando realice el mantenimiento del generador.

⚠ ADVERTENCIA Reemplace los elementos dañados o desgastados con piezas de repuesto recomendadas o equivalentes. El uso de una pieza incorrecta o incompatible podría crear un peligro que podría provocar lesiones personales graves.

⚠ ADVERTENCIA Deje que los componentes calientes se enfríen durante 30 minutos antes de realizar cualquier procedimiento de mantenimiento.

⚠ ADVERTENCIA Evite el contacto de la piel con aceite de motor o gasolina. Use ropa y equipo de protección. Lave toda la piel expuesta con agua y jabón. El contacto prolongado de la piel con gasolina o aceite de motor puede causar irritación severa de la piel y otras reacciones adversas.

AVISO Verifique el estado físico del producto antes de cada uso. Busque pernos sueltos, fugas de líquido y otros signos de desgaste. Reemplace todos los artículos dañados. Para piezas de repuesto o asistencia, comuníquese con nuestro equipo de servicio al cliente.

Para prolongar la vida útil de este producto, siga las instrucciones de mantenimiento de esta sección. Comuníquese con el servicio de atención al cliente antes de realizar el mantenimiento de piezas retiradas o cubiertas por la garantía.

LIMPIEZA DEL GENERADOR

No almacene ni opere su generador en ambientes sucios, polvorientos o corrosivos. No permita que materiales extraños y desechos obstruyan las rejillas de ventilación de la unidad.

NUNCA limpie el generador con una manguera de jardín. El agua puede dañar el sistema de combustible y los componentes eléctricos del generador. Si es necesario limpiar la unidad, use un cepillo suave y un paño húmedo para limpiar el exterior y use aire a baja presión (no más de 25 psi) para limpiar las rejillas de ventilación.

Nunca use gasolina como agente de limpieza.

MANTENIMIENTO

LIMPIEZA/SUSTITUCIÓN DEL FILTRO DE AIRE

Vea la figura 14.

Mantenga el filtro de aire limpio. Un filtro de aire sucio puede provocar un rendimiento deficiente y disminuir la vida útil del producto. **NUNCA opere el generador sin un filtro de aire en su lugar.**

- Apague el generador y deje que el motor se enfríe durante 30 minutos.
- Afloje los tornillos y retire la cubierta de servicio del motor.
- Retire el tornillo y la tapa del filtro de aire.
- Retire el filtro de aire de la carcasa del filtro de aire y colóquelo en un recipiente de limpieza adecuado. **Reemplace el filtro de aire si está dañado.**

NOTA: El filtro de aire puede estar cubierto de aceite. Utilice un recipiente apropiado.

- Lave el filtro de aire sumergiéndolo en una solución de detergente doméstico y agua tibia. Apriete lentamente el filtro para limpiarlo a fondo.

AVISO

NO tuerza ni rasgue el filtro de aire durante la limpieza o el secado. Solo aplique una acción de compresión lenta pero firme.

- Enjuague el filtro de aire sumergiéndolo en agua dulce y aplicando una acción de compresión lenta. Permita que el filtro se seque completamente.

AVISO

No contamine. Siga las pautas de la EPA u otras agencias gubernamentales para la eliminación adecuada de materiales peligrosos. Consulte a las autoridades locales o al centro de recuperación.

- Sumerja el filtro de aire en aceite de motor limpio y luego exprima todo el exceso de aceite. El motor echará humo al arrancar si queda demasiado aceite en el filtro.
- Instale el filtro de aire en la carcasa del filtro de aire y vuelva a instalar la tapa del filtro de aire.
- Instale la cubierta de servicio del motor y gire la perilla de bloqueo a la posición de bloqueo para asegurarla.

CAMBIO DEL ACEITE DEL MOTOR

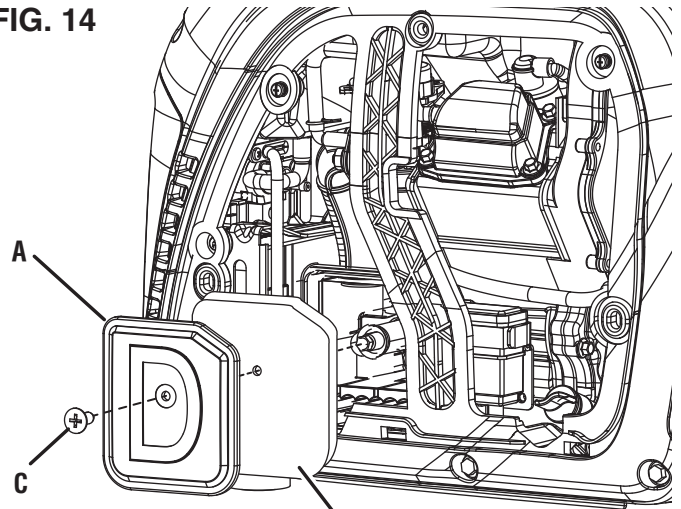
Vea la figura 15.

Para un rendimiento óptimo, cambie el aceite del motor de acuerdo con las cifras especificadas en el **Programa de mantenimiento** o el manual del motor (si corresponde). Cuando utilice el generador en condiciones extremas, sucias y polvorosas o en climas extremadamente cálidos, cambie el aceite con mayor frecuencia.

NOTA: Cambie el aceite mientras el motor está tibio pero no caliente. El aceite de motor caliente se drena más rápida y completamente que el lubricante frío. El contacto con el lubricante caliente causará quemaduras graves.

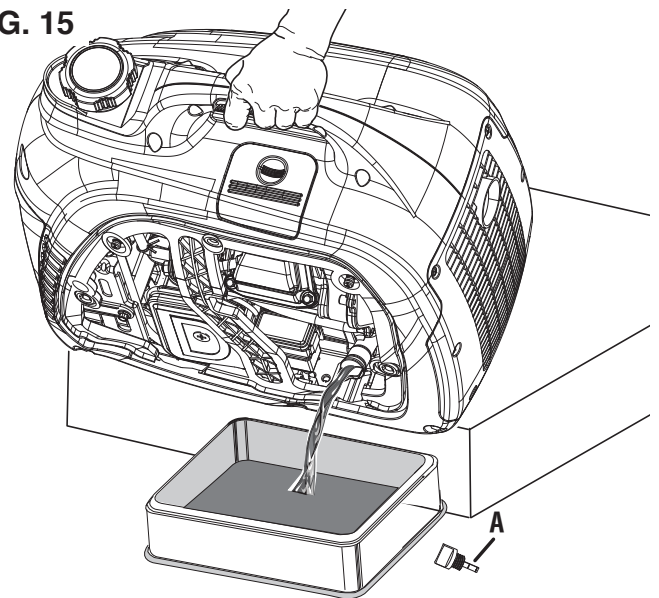
- Apague el generador y deje que el motor se enfríe durante 30 minutos.
- Coloque el generador en una superficie nivelada en un área bien ventilada.

FIG. 14



A - Cubierta del filtro de aire
B - Filtro de aire
C - Tornillo

FIG. 15



A - Varilla de nivel de aceite

- Afloje los tornillos y retire la cubierta de servicio del motor.
- Limpie el área alrededor de la varilla de nivel de aceite.
- Desenrosque lentamente y retire la varilla de nivel de aceite.
- Coloque un cárter de aceite (o un recipiente adecuado) debajo del orificio de llenado/drenaje de aceite.
- Incline el generador para drenar el aceite.
- Después de que el aceite se haya drenado por completo, coloque el generador en posición vertical.
- Vuelva a llenar el aceite como se describe en la sección de *Operaciones*.
- Vuelva a colocar la varilla de nivel de aceite y apriete a mano.
- Limpie cualquier derrame de aceite.
- Instale la cubierta de servicio del motor y gire la perilla de bloqueo a la posición de bloqueo para asegurarla.

MANTENIMIENTO

LIMPIEZA/SUSTITUCIÓN DE LA BUJÍA

Vea la figura 16.

AVISO

SIEMPRE use la bujía Westinghouse OEM o compatible sin resistencia. El uso de bujías de encendido tipo resistencia puede resultar en un ralenti brusco, fallos de encendido o puede impedir que el motor arranque.

Asegúrese de que la chispa esté limpia y correctamente separada. Para limpiar o reemplazar su bujía:

- Apague el generador y deje que el motor se enfríe durante 30 minutos.
- Coloque el generador en una superficie nivelada en un área bien ventilada.
- Levante la puerta de servicio de las bujías para tener acceso al área de las bujías.
- Retire el capuchón de la bujía tirando con firmeza del capuchón directamente hacia afuera del motor.
- Limpie el área alrededor de la bujía.
- Retire la bujía con la llave de tubo para bujías incluida.

AVISO

Nunca aplique ninguna carga lateral ni mueva la bujía lateralmente al retirar la bujía.

- Inspeccione la bujía. Reemplácelos si los electrodos están picados, quemados o si el aislante está agrietado. Utilice únicamente un enchufe de repuesto recomendado.
- Mida la distancia entre electrodos de la bujía con una galga de espesores de alambre. Si es necesario, corrija el espacio doblando con cuidado el electrodo lateral.

Separación de la bujía:

0,024 - 0,032 pulg. (0,60 - 0,80 mm)

- Instale cuidadosamente la bujía con los dedos y luego apriétela de 3/8 a 1/2 vuelta adicional con la llave para bujías.
- Instale el capuchón de la bujía y cierre la puerta de servicio de la bujía.

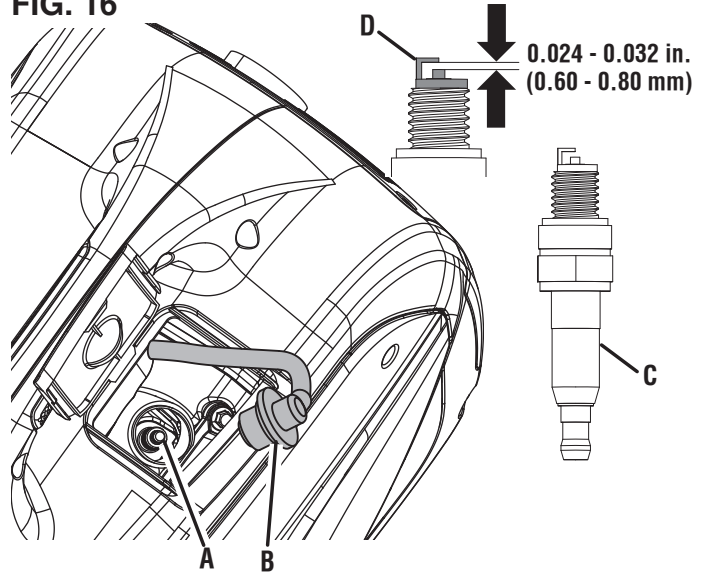
LIMPIEZA DEL PARACHISPAS

Vea la figura 17.

Verifique y limpie el parachispas de acuerdo con las cifras especificadas en el **Programa de mantenimiento** o el manual del motor (si corresponde). Si no se limpia el parachispas, se degradará el rendimiento del motor.

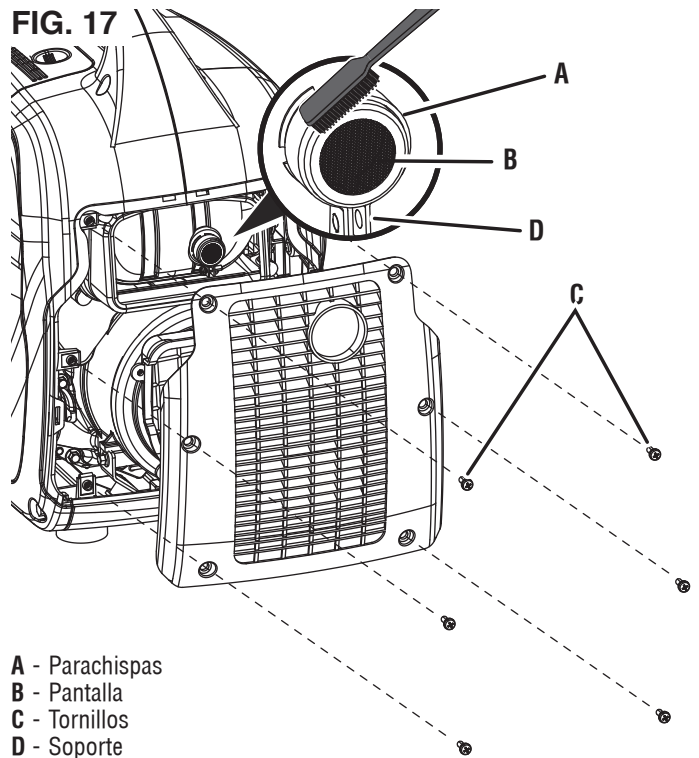
- Apague el generador y deje que el motor se enfríe durante 30 minutos.
- Coloque el generador en una superficie nivelada en un área bien ventilada.
- Retire los tornillos y la cubierta del silenciador.
- Retire el tornillo que sujeta el soporte del parachispas.
- Retire el parachispas del generador.
- Limpie suavemente la pantalla y el parachispas con un cepillo de alambre.
- Vuelva a instalar el parachispas, la pantalla y el soporte. Apriete los tornillos firmemente.

FIG. 16



- A - Bujía
- B - Capuchón de la bujía
- C - Aislante
- D - Electrodo

FIG. 17



- A - Parachispas
- B - Pantalla
- C - Tornillos
- D - Soporte

DRENAJE DEL TANQUE DE COMBUSTIBLE Y EL TAZÓN DEL FLOTADOR DEL CARBURADOR

Vea la figuras 18 a 20.



ADVERTENCIA

SIEMPRE guarde la gasolina en un recipiente aprobado para gasolina. Los recipientes no aprobados pueden romperse o deteriorarse permitiendo que se escape la gasolina o los vapores de gasolina, lo que puede crear un peligro grave.

MANTENIMIENTO

Incluso el combustible debidamente estabilizado puede dejar residuos y causar corrosión si se deja por mucho tiempo. Si almacena el generador durante dos a seis meses, drene el recipiente del flotador para evitar la acumulación de goma y barniz en el carburador. Si almacena el generador durante más de seis meses, drene el tanque de combustible para evitar la separación, el deterioro y los depósitos de combustible en el sistema de combustible.

- Apague el generador y deje que el motor se enfríe durante 30 minutos.
- Coloque el generador en una superficie nivelada en un área bien ventilada.

Para drenar el recipiente del flotador:

- Gire el interruptor de control del motor/combustible a la posición **Gasoline OFF** (Gasolina APAGADA).
- Afloje los tornillos y retire la cubierta de servicio del motor.
- Ubique la válvula de drenaje en la parte inferior del recipiente del flotador del carburador.
- Conecte una manguera de drenaje a la válvula de drenaje.
- Coloque el extremo inferior de la manguera fuera del generador en un recipiente de gasolina aprobado para recoger el combustible drenado.
- Gire la válvula de drenaje en sentido antihorario para abrir.
- Cierre la válvula de drenaje girándola en el sentido de las agujas del reloj cuando el recipiente del flotador esté vacío. Instale la cubierta de servicio del motor.

Para hacer funcionar el recipiente del flotador en seco:

- Inicie el generador como se describió anteriormente.
- Después de que arranque el motor, gire el interruptor de control del motor/combustible a la posición **GASOLINE OFF** (Gasolina APAGADA).
- Permita que el generador funcione hasta que se agote el combustible en el carburador y el motor se detenga.
- Gire el interruptor de control del motor/combustible a la posición **OFF** (Apagado).

Para drenar el tanque de combustible:

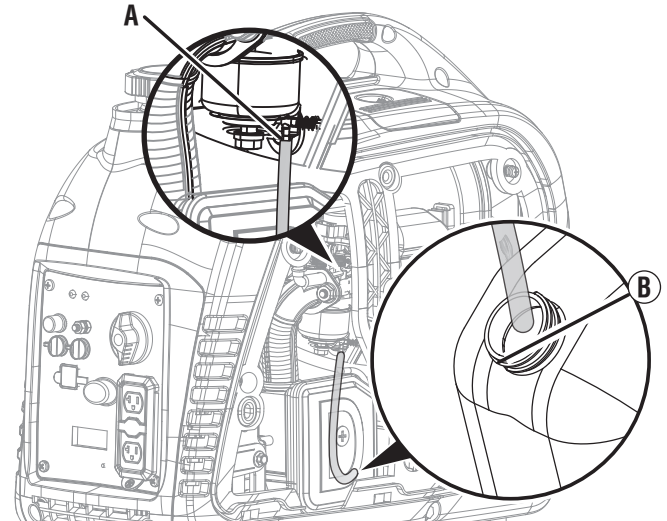
AVISO

Para evitar daños a la unidad, drene el aceite del motor antes de vaciar el tanque de combustible. Consulte Cambio del aceite del motor para obtener más detalles.

- Gire el interruptor de control del motor/combustible a la posición **OFF** (Apagado).
- Limpie el área alrededor de la tapa de combustible y retire la tapa lentamente.
- Retire el filtro de pantalla de combustible comprimiéndolo ligeramente mientras lo retira del tanque.
- Utilizando una bomba manual de gasolina disponible comercialmente (no incluida), extraiga la gasolina del tanque de combustible a un recipiente de gasolina aprobado. **NO** use una bomba eléctrica.

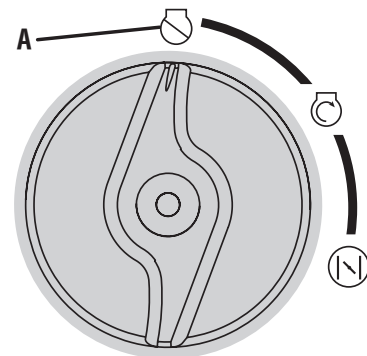
NOTA: El tanque de combustible también se puede drenar usando el tornillo de drenaje del carburador y la manguera de drenaje como se describió anteriormente. Mantenga el interruptor de control del motor/combustible en la posición **OFF** (Apagado) para permitir que el combustible fluya desde el tanque a través del carburador.

FIG. 18



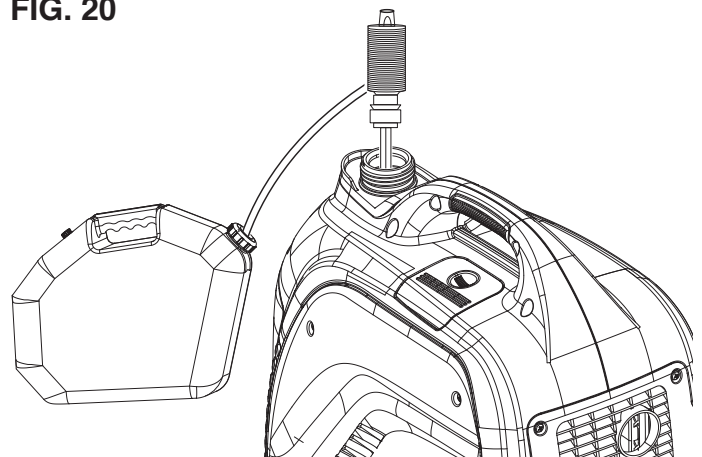
A - Válvula de drenaje
B - Manguera de drenaje

FIG. 19



A - Gasolina APAGADA (Gasoline Off)

FIG. 20



REEMPLAZANDO EL FILTRO DE COMBUSTIBLE

Voir la figura 21.

Con el tiempo, el filtro de combustible puede ensuciarse u obstruirse. Para reducir el riesgo de falla del motor, reemplace el filtro de combustible de acuerdo con las cifras especificadas en el **Programa de mantenimiento** o el manual del motor (si corresponde).

MANTENIMIENTO

- Apague el generador y deje que el motor se enfríe durante 30 minutos.
- Drene el tanque de combustible como se describió anteriormente.
- Retire los tornillos que sujetan el panel de control.
- Retire el panel de control.
- Localice el filtro de combustible y observe la orientación del filtro.
- Usando pinzas, apriete los clips de la línea de combustible y deslice las líneas de combustible fuera del filtro.
- Instale las líneas de combustible en el nuevo filtro. Asegúrese de que el filtro de combustible esté orientado correctamente.
- Vuelva a colocar la cubierta de servicio del motor y apriete los tornillos firmemente.

COMPROBACIÓN/AJUSTE DEL JUEGO DE VÁLVULAS

Vea la figuras 22 y 23.

AVISO

La comprobación y el ajuste de la holgura de las válvulas se deben realizar con el motor frío.

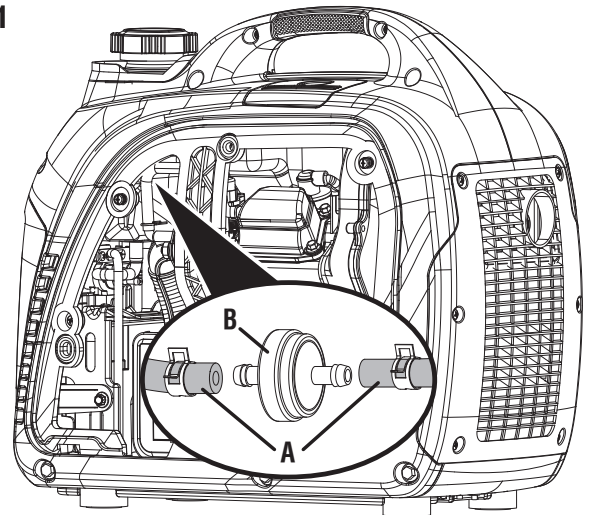
- Apague el generador y deje que el motor se enfríe durante 30 minutos.
- Coloque el generador en una superficie nivelada en un área bien ventilada.
- Retire la cubierta de balancines y retire con cuidado la junta. Si la junta está rota o dañada, debe ser reemplazada.
- Retire la bujía para que el motor pueda girar más fácilmente.
- Tire de la manija de retroceso para girar el motor al punto muerto superior (PMS). Mirando a través del orificio de la bujía; el pistón debe estar en la parte superior (ambas válvulas están cerradas).
- Ambos balancines deben estar sueltos en el PMS en la carrera de compresión. Si no lo están, gire el motor 360°.
- Inserte una galga de espesores entre el balancín y el vástago de la válvula para medir la holgura de la válvula.

	Válvula de admisión	Válvula de escape
Juego de válvulas	0.0031 – 0.0047 pulg. (0.08 – 0.12 mm)	0.0051 – 0.0067 pulg. (0.13 – 0.17 mm)
Torsión	8-12 Nm	8-12 Nm

- Si es necesario un ajuste, afloje la contratuerca.
 - Deslice la galga de espesores adecuada entre el balancín y el vástago de la válvula.
 - Apriete el tornillo de ajuste en la varilla de empuje para obtener el espacio libre especificado.
- NOTA:** Debería poder sentir que el balancín toca la galga de espesores.
- Sostenga el tornillo de ajuste en su lugar y apriete la tuerca.

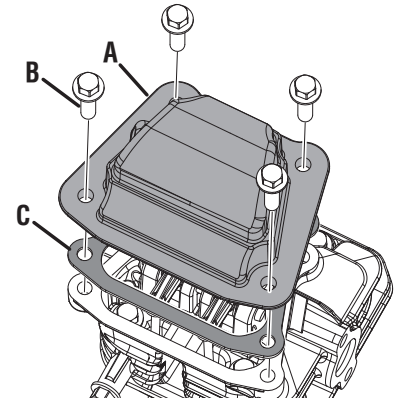
Torque: 106 pulgadas-libra (12 Nm)

FIG. 21



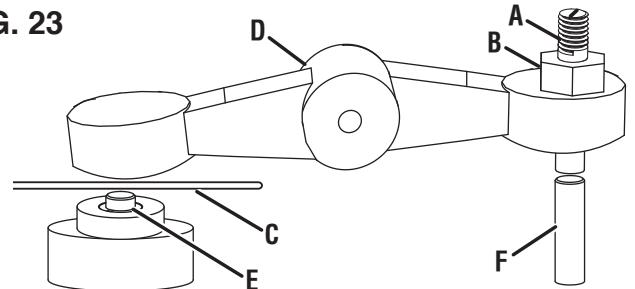
A - Línea de combustible
B - Filtro de combustible

FIG. 22



A - Cubierta del balancín
B - Perno
C - Junta

FIG. 23



A - Tornillo de ajuste
B - Contratuerca
C - Calibrador de espesores
D - Balancín
E - Vástago de válvula
F - Varilla de empuje

- Vuelva a comprobar la holgura de válvulas.
- Si no se necesitan más ajustes, realice este procedimiento en la otra válvula.
- Cuando haya terminado, instale la junta, la tapa del balancín y la bujía.

MANTENIMIENTO

ALMACENAMIENTO

Apague la unidad y deje que se enfríe durante un mínimo de 30 minutos antes de guardarla. Mantenga la unidad en posición vertical. No almacene el generador de costado. Drene el combustible antes de almacenar la unidad. Guarde la unidad y el combustible por separado en áreas bien ventiladas lejos de chispas, llamas abiertas, luces piloto, calor y otras fuentes de ignición.

AVISO

La gasolina almacenada por tan solo 30 días puede deteriorarse, causando acumulación de goma, barniz y corrosión en las líneas de combustible, los conductos de combustible y el motor. Esta acumulación corrosiva restringe el flujo de combustible, lo que puede impedir que el motor arranque después de un período de almacenamiento prolongado. El uso de estabilizador de combustible aumenta significativamente la vida útil de almacenamiento de la gasolina. Se recomienda el uso permanente de estabilizador de combustible. Siga las instrucciones de uso del fabricante.

TIEMPO DE ALMACENAMIENTO	PROCEDIMIENTO RECOMENDADO
Menos de 1 mes	Vuelva a colocar todas las cubiertas protectoras en el panel de control del generador. Limpie el exterior del generador y elimine cualquier residuo de las rejillas de ventilación del silenciador.
2 a 6 meses	Vuelva a colocar todas las cubiertas protectoras en el panel de control del generador. Limpie el exterior del generador y elimine cualquier residuo de las rejillas de ventilación del silenciador. Drene el recipiente del flotador del carburador. (Almacene la gasolina en un recipiente para gasolina aprobado o deséchela de acuerdo con las ordenanzas estatales y locales).
6 meses o más	Vuelva a colocar todas las cubiertas protectoras en el panel de control del generador. Limpie el exterior del generador y elimine cualquier residuo de las rejillas de ventilación del silenciador. Drene el recipiente del flotador del carburador y el tanque de combustible. (Almacene la gasolina en un recipiente aprobado para gasolina o deséchelo de acuerdo con las ordenanzas estatales y locales). Ponga una cucharada de aceite de motor en el cilindro de la bujía. Tire suavemente de la manija de retroceso para girar lentamente el motor y distribuir el lubricante. Vuelva a instalar la bujía. Cambie el aceite del motor.

PROGRAMA DE MANTENIMIENTO

El mantenimiento regular mejorará el rendimiento y prolongará la vida útil del generador. Siga los intervalos de hora o de calendario, lo que ocurra primero. Se requiere un servicio más frecuente cuando se opera en condiciones adversas como se indica a continuación.

NOTA: Si su producto tiene un manual del motor separado, ignore la información de este cuadro y siga las instrucciones del manual del motor.

	Antes cada uso	Después de las primeras 25 horas o el primer mes	Después de 50 horas o cada seis meses	Después de 100 horas o cada seis meses	Después de 300 horas o cada año
Revisar el aceite del motor	X				
Cambiar el aceite del motor ¹		X	X		
Filtro de aire limpio ²			X		
Inspeccionar/limpiar parachispas				X	
Inspeccionar/limpiar bujía				X	
Inspeccionar/Ajustar la holgura de válvulas ³				X	
Reemplace la bujía					X
Reemplace el filtro de aire					X
Reemplace Fuel Filter				X	

¹ Cambie el aceite cada mes cuando opere bajo carga pesada o en altas temperaturas.

² Limpie con más frecuencia en condiciones sucias o polvorientas. Reemplace el filtro de aire si no se puede limpiar adecuadamente.

³ Recomiende que el servicio lo realice un distribuidor de servicio autorizado de Westinghouse.

SOLUCIÓN DE PROBLEMAS

PROBLEMA	CAUSA POSIBLE	CORRECCIÓN
El motor arranca, luego se apaga	El nivel de combustible es bajo o está agotado.	Repostar.
	Nivel de aceite de motor incorrecto.	Compruebe el nivel de aceite del motor.
	Filtro de aire sucio.	Limpie el filtro de aire.
	Gasolina contaminada.	Drene el tanque de combustible. Reposte con gasolina fresca.
	Interruptor de bajo nivel de aceite defectuoso.	Comuníquese con el servicio de atención al cliente de Westinghouse al número gratuito 1-(855) 944-3571.
Al motor le falta fuerza	Filtro de aire restringido.	Limpie o reemplace el filtro de aire.
	Gasolina rancia, generador almacenado sin tratar o drenar gasolina, o recargado con gasolina mala.	Drene el tanque de combustible. Reposte con gasolina fresca.
	Mal funcionamiento del sistema de combustible, mal funcionamiento del encendido, válvulas atascadas, etc.	Comuníquese con el servicio de atención al cliente de Westinghouse al número gratuito 1-(855) 944-3571.
El motor no arranca	Sin combustible.	Repostar.
	Gasolina rancia, generador almacenado sin tratar o drenar gasolina, o recargado con gasolina mala.	Drene el tanque de gasolina. Reposte con gasolina fresca.
	Filtro de aire sucio.	Limpie el filtro de aire.
	El nivel bajo de aceite del motor detuvo el generador.	Si se ilumina el LED DE BAJO NIVEL DE ACEITE, gire el interruptor de control de motor/combustible a la posición OFF (Apagado). Agregue aceite de motor.
	Bujía mojada con combustible (motor ahogado).	Espera cinco minutos. Gire el interruptor de control del motor/combustible a la posición OFF (Apagado). Tire de la manija de retroceso rápidamente varias veces. Si el generador no arranca, retire la bujía y séquela.
	Bujía defectuosa, sucia o con separación incorrecta.	Separe o reemplace la bujía. Reinstalar.
	Mal funcionamiento del sistema de combustible, mal funcionamiento del encendido, válvulas atascadas, etc.	Comuníquese con el servicio de atención al cliente de Westinghouse al número gratuito 1 (855) 944-3571.
	Sensor de CO eliminado o modificado.	Vuelve a la configuración original.
	Se activó el sensor de CO o se produjo una falla en el sistema.	Reubique el generador / Comuníquese con el servicio de atención al cliente de Westinghouse al número gratuito 1 (855) 944-3571.
El motor funciona con dificultad o se atasca cuando se aplica carga	Filtro de aire sucio.	Limpie el filtro de aire.
	Generador sobrecargado.	Desconecte algunos dispositivos.
	Herramienta eléctrica o aparato defectuoso.	Reemplace o repare la herramienta o el electrodoméstico. Pare y reinicie el motor.
	Mal funcionamiento del sistema de combustible, mal funcionamiento del encendido, válvulas atascadas, etc.	Comuníquese con el servicio de atención al cliente de Westinghouse al número gratuito 1 (855) 944-3571.
No hay energía en los receptáculos de CA	El LED DE SALIDA LISTA está apagado y el LED DE SOBRECARGA está encendido.	Compruebe la carga de CA. Pare y reinicie el motor. Compruebe la entrada de aire. Pare y reinicie el motor.
	Disyuntor(es) de CA disparado(s).	Verifique las cargas de CA y reinicie los disyuntores.
	Herramienta eléctrica o aparato defectuoso.	Reemplace o repare la herramienta o el electrodoméstico. Pare y reinicie el motor.
	Generador defectuoso.	Comuníquese con el servicio de atención al cliente de Westinghouse al número gratuito 1 (855) 944-3571.

FRANÇAIS

iGen2800c

GÉNÉRATEUR D'ONDULEUR NUMÉRIQUE

2 200 WATTS DE FONCTIONNEMENT | 2 800 WATTS DE CRÊTE

MANUEL DE L'UTILISATEUR

NE PAS RETOURNER CE PRODUIT AU MAGASIN

Si vous avez des questions ou avez besoin d'aide, veuillez appeler le service client au 855-944-3571.

TABLE DES MATIÈRES

Introduction.....	2-3
Sécurité.....	4-9
Électrique.....	10
Composants.....	11-12
Assemblage.....	13
Fonctionnement.....	13-20
Maintenance.....	20-25
Dépannage.....	26
Hotline de service/adresse de l'entreprise.....	Page arrière

INTRODUCTION



AVERTISSEMENT

L'utilisation, l'entretien et la maintenance de cet équipement peuvent vous exposer à des produits chimiques, notamment les gaz d'échappement du moteur, le monoxyde de carbone, les phtalates et le plomb, connus de l'État de Californie pour causer le cancer et des malformations congénitales ou d'autres troubles de la reproduction. Pour minimiser l'exposition, évitez de respirer les gaz d'échappement et portez des gants ou lavez-vous les mains fréquemment lors de l'entretien de cet équipement. Pour plus d'informations, rendez-vous sur www.P65warnings.ca.gov

AVIS DE NON-RESPONSABILITÉ

Toutes les informations, illustrations et spécifications contenues dans ce manuel étaient en vigueur au moment de la publication. Les illustrations utilisées dans ce manuel sont uniquement destinées à servir de vues de référence représentatives. Nous nous réservons le droit d'apporter des modifications aux spécifications ou à la conception sans préavis.

TOUS LES DROITS SONT RÉSERVÉS

Tous les droits sont réservés. Aucune reproduction autorisée sous quelque forme que ce soit sans l'autorisation écrite de Westinghouse Outdoor Power Equipment.



DANGER

Lisez ce manuel avant d'utiliser ou d'effectuer l'entretien de ce produit. Le non-respect des instructions et des consignes de sécurité de ce manuel peut entraîner des blessures graves ou la mort.

MISES À JOUR

Le dernier manuel d'utilisation de vos produits Westinghouse se trouve sous notre onglet d'assistance. wpowereq.com/pages/manuals

Ou scannez le code QR suivant avec l'appareil photo de votre smartphone pour être dirigé vers le lien.



INTRODUCTION

ENREGISTREMENT DU PRODUIT

Pour une couverture de garantie sans problème, il est important d'enregistrer votre produit Westinghouse.

Vous pouvez vous inscrire par :

- Remplir et envoyer la carte d'enregistrement du produit incluse dans le carton.
- Enregistrez votre produit en ligne sur: wpowereq.com/pages/warranty-registration
- Scannez le code QR ci-dessus avec l'appareil photo de votre smartphone pour être dirigé vers le lien d'enregistrement mobile.



Pour vos dossiers

Date d'achat: _____

Numéro de modèle: _____

Numéro de série: _____

Lieu d'achat: _____

- Envoi des informations suivantes sur le produit à :

Westinghouse Outdoor Power

Warranty registration
777 Manor Park Drive
Columbus, OH 43228

IMPORTANT : Conservez votre reçu d'achat pour une couverture de garantie sans problème.

CARACTÉRISTIQUES

Tension CA	120V
Puissance (fonctionnement)	2 200W
Puissance (crête).....	2 800W
Courant CA.....	27,5A
Tension CC.....	5V
Courant CC.....	deux 2.1A
Fréquence	60 Hz
Phase	Monophasé
Tr/min	5 000
Facteur de puissance	1.0
Classe d'isolation.....	F
Température ambiante maximale	104°F (40°C)

Type de carburant..... Essence sans plomb
(87–93 indice d'octane)

Ne pas utiliser de carburant E15 ou E85 dans ce produit

Capacité de carburant

Capacité d'huile

Type d'huile

Bougie

Ecartement électrode bougie.....

Jeu d'admission de soupape

Jeu d'échappement de soupape

Système de mise à la terre CA.....

AVIS

Ce produit est conçu et évalué pour un fonctionnement continu à des températures ambiantes entre 23°F (–5°C) et 104°F (40°C). Si nécessaire, ce produit peut être utilisé à des températures extrêmement chaudes ou extrêmement froides pendant de courtes périodes. Si le produit est exposé à des températures extrêmes pendant le stockage, il doit être ramené dans la plage de température optimale avant utilisation. Ce produit doit toujours être utilisé à l'extérieur dans un endroit bien aéré et loin des portes, fenêtres et autres événements.

La puissance et le courant maximum sont soumis et limités par des facteurs tels que la teneur en BTU du carburant, la température ambiante, l'altitude, les conditions du moteur, etc. 10°F (6°C) au-dessus de 60°F (16°C) de température ambiante.

AVIS

L'effet de l'altitude sur la puissance sera plus important si aucune modification du carburateur n'est effectuée. Une diminution de la puissance du moteur diminuera la watts de sortie du générateur. Contactez notre équipe de service pour commander des kits d'altitude.

AVIS

Merci d'avoir choisi Westinghouse !
VEUILLEZ LIRE AVANT DE RETOURNER CE PRODUIT POUR QUELQUE RAISON QUE CE SOIT.

Si vous avez une question ou rencontrez un problème avec votre achat Westinghouse, appelez-nous au 1-855-944-3571 pour parler avec un agent.

CONSERVEZ CE MANUEL POUR RÉFÉRENCE ULTÉRIEURE.

AVOIR DES QUESTIONS?

Écrivez-nous à service@wpowereq.com
ou composez le 1-855-944-3571

SÉCURITÉ

DÉFINITIONS DE LA SÉCURITÉ

Les mots DANGER, AVERTISSEMENT, ATTENTION et AVIS sont utilisés tout au long de ce manuel pour mettre en évidence des informations importantes. Assurez-vous que la signification de ces informations de sécurité est connue de tous ceux qui utilisent, effectuent l'entretien ou se trouvent à proximité du générateur.



Ce symbole d'alerte de sécurité apparaît avec la plupart des déclarations de sécurité. Cela signifie attention, devenez vigilant, votre sécurité est en jeu ! Veuillez lire et respecter le message qui suit le symbole des alertes de sécurité.

DANGER

Indique une situation dangereuse qui, si elle n'est pas évitée, entraînera la mort ou des blessures graves.

AVERTISSEMENT

Indique une situation dangereuse qui, si elle n'est pas évitée, peut entraîner la mort ou des blessures graves.

PRÉCAUTION

Indique une situation dangereuse qui, si elle n'est pas évitée, pourrait entraîner des blessures légères ou modérées.







AVIS

Indique une situation qui peut causer des dommages au groupe électrogène, à des biens personnels et/ou à l'environnement, ou entraîner un mauvais fonctionnement de l'équipement.

NOTE : Indique une procédure, une pratique ou une condition qui doit être suivie pour que le générateur fonctionne de la manière prévue.

SYMBOLES DE SÉCURITÉ

Suivez toutes les informations de sécurité contenues dans ce manuel de l'utilisateur ainsi que les informations sur l'étiquetage du produit.

Symbole	Description
	Symbole d'alerte de sécurité
	Risque d'incendie
	Risque d'électrocution
	Risque de brûlures. Ne touchez pas les surfaces chaudes.
	Risque d'asphyxie
	Ne pas utiliser dans des conditions humides
	Lire les instructions du fabricant
	Maintenir une distance de sécurité
	Terre. Consulter un électricien pour déterminer les exigences de mise à la terre avant l'utilisation.
	Monoxyde de carbone

SÉCURITÉ

IMPORTANTES CONSIGNES DE SÉCURITÉ

⚠ DANGER

L'échappement du générateur contient des niveaux élevés de monoxyde de carbone (CO), un gaz invisible, inodore et extrêmement toxique. Si vous sentez une odeur de gaz d'échappement, vous respirez du monoxyde de carbone. Mais, même si vous ne sentez pas les gaz d'échappement, vous inhalez peut-être du CO.

Faites fonctionner **UNIQUEMENT** les génératrices à l'extérieur, dans un endroit bien ventilé. **NE JAMAIS** faire fonctionner les génératrices à l'intérieur, cela **PEUT VOUS TUER EN QUELQUES MINUTES**.

- N'utilisez les générateurs qu'à l'extérieur et sous le vent, loin des fenêtres, portes et événements. Dirigez toujours l'évacuation loin des espaces occupés. Installez toujours des détecteurs de monoxyde de carbone alimentés par batterie ou des détecteurs de monoxyde de carbone enfichables avec batterie de secours dans les zones résidentielles. **Voir la figure 1.**
- **Utilisation incorrecte** – **NE JAMAIS** utilisez une génératrice dans votre maison, garage, sous-sol, grenier, vide sanitaire ou tout autre espace entièrement ou partiellement clos. Des zones comme celles-ci peuvent permettre l'accumulation de niveaux dangereux de monoxyde de carbone. Une porte ouverte ou un ventilateur en marche **NE PAS** assurera une ventilation adéquate. **Voir la figure 2.**

Si vous commencez à vous sentir étourdi, faible ou malade pendant l'utilisation du générateur, sortez immédiatement à l'air frais. Contactez un médecin. Vous souffrez peut-être d'une intoxication au monoxyde de carbone.

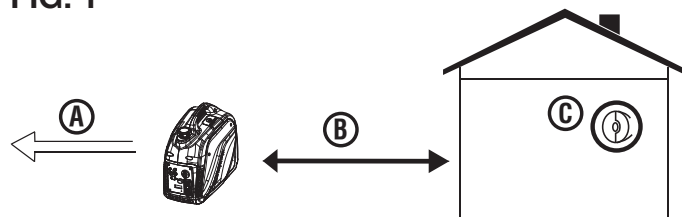
⚠ DANGER

Risque d'incendie et d'électrocution. Ne pas brancher au système électrique d'un bâtiment à moins que la génératrice et un commutateur de transfert aient été correctement installés et que la sortie électrique ait été vérifiée par un électricien qualifié. La connexion doit isoler l'alimentation du générateur de l'alimentation secteur et doit être conforme à toutes les lois et codes électriques applicables. Le fait de ne pas isoler correctement l'alimentation du générateur pourrait causer des dommages matériels et créer un dangereux retour d'électricité qui pourrait tuer ou blesser gravement les travailleurs des services publics.

⚠ DANGER

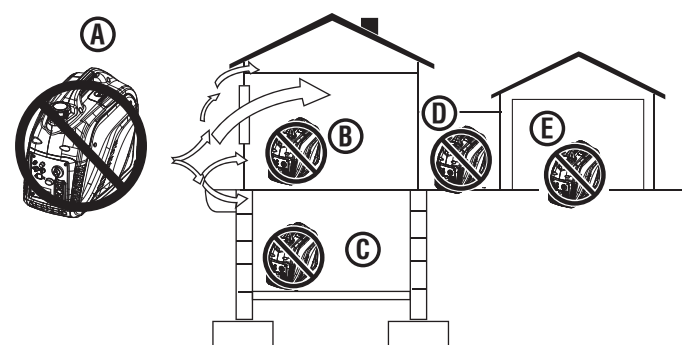
Risque d'électrocution. **NE JAMAIS** utiliser le générateur dans un endroit mouillé ou humide. **NE JAMAIS** exposer le générateur à la pluie, à la neige, aux projections d'eau ou à l'eau stagnante pendant son utilisation. Protégez le générateur de toutes les conditions météorologiques dangereuses. L'humidité ou la glace peuvent provoquer un court-circuit ou un autre dysfonctionnement du circuit électrique.

FIG. 1



- A - Échappement (CO)
- B - Utilisez uniquement à l'EXTÉRIEUR et LOIN des fenêtres, des portes et des événements
- C - Détecteurs de CO dans les pièces à vivre

FIG. 2



- A - Échappement (CO)
- B - Espace de vie
- C - Vide sanitaire du sous-sol
- D - Entrée/Porche/Vestiaire
- E - Garage

⚠ AVERTISSEMENT

Familiarisez-vous avec toutes les instructions, les avertissements de sécurité, les illustrations et les spécifications fournies avec ce produit. Le non-respect des instructions du fabricant peut entraîner un choc électrique, un incendie et/ou une intoxication au monoxyde de carbone pouvant entraîner la mort ou des blessures graves.

AVIS

Installez des détecteurs de monoxyde de carbone alimentés par batterie ou des détecteurs de monoxyde de carbone enfichables avec batterie de secours dans les zones résidentielles.

- Ce produit doit **UNIQUEMENT** être utilisé à l'extérieur.
- Ne utiliser **JAMAIS** une génératrice dans votre maison, garage, sous-sol, grenier, vide sanitaire ou tout autre espace entièrement ou partiellement clos. Des zones comme celles-ci peuvent permettre l'accumulation de niveaux dangereux de monoxyde de carbone. Le monoxyde de carbone (CO), un gaz invisible, inodore et extrêmement toxique **PEUT VOUS TUER EN QUELQUES MINUTES**.
- Utilisez uniquement à l'EXTÉRIEUR et loin des fenêtres, portes et événements, comme recommandé par les centres de contrôle et de prévention des maladies du département américain de la santé et des services sociaux. Votre domicile spécifique et/ou les conditions de vent peuvent nécessiter une distance supplémentaire.

SÉCURITÉ

- Le Code national de l'électricité exige l'utilisation d'un commutateur de transfert ou de tout autre équipement de transfert approprié chaque fois qu'un générateur portable est connecté au système électrique d'un bâtiment. Les commutateurs de transfert isolent l'alimentation du générateur de l'alimentation électrique et empêchent le retour d'énergie électrique dans le système d'alimentation.

NOTE : Un commutateur de transfert doit être installé par un électricien qualifié conformément aux codes électriques applicables. Certaines juridictions peuvent exiger que l'installation soit inspectée par les autorités locales. Conservez toutes les informations pertinentes sur l'installation, l'inspection et la maintenance.

- N'utiliser jamais le groupe électrogène pour alimenter l'équipement de soutien médical.
- Ne jamais exposer le groupe électrogène à la pluie, à la neige, aux projections d'eau ou à l'eau stagnante pendant son utilisation. Stockez et utilisez l'appareil dans un endroit sec ou couvert (mais non fermé).
- Ne laissez pas des enfants ou des personnes non formées utiliser le générateur.
- Gardez les enfants, les spectateurs et les animaux domestiques à au moins 3 mètres d'une génératrice en marche.
- Maintenir la distance de sécurité. Pendant le fonctionnement et le stockage, gardez au moins 1,5 mètres de dégagement de tous les côtés du générateur, y compris au-dessus. Éteignez l'appareil et laissez-le refroidir pendant au moins 30 minutes avant de le ranger. La chaleur créée par le silencieux et les gaz d'échappement peut être suffisamment chaude pour causer de graves brûlures et/ou enflammer des objets combustibles.
- N'utilisez pas l'appareil dans des zones où des matériaux combustibles ou dangereux sont entreposés, y compris des stations-service d'essence et de gaz naturel.
- Ne faites pas fonctionner le groupe électrogène pieds nus, avec les mains ou les pieds mouillés, debout dans l'eau ou dans des conditions humides.
- N'utilisez pas cet appareil lorsque vous êtes fatigué ou sous l'influence de drogues, d'alcool ou de médicaments.
- Risque de brûlure. Ne touchez pas les surfaces chaudes.
- Ne touchez pas le silencieux ou le moteur. Ils sont très CHAUDS et causeront de graves brûlures. Ne mettez pas de parties du corps ou de matériaux inflammables ou combustibles dans le chemin direct de l'échappement.
- Gardez les mains, les doigts, les pieds et les autres parties du corps éloignés de toutes les pièces mobiles du générateur.
- Ne connectez pas de cordons électriques usés ou endommagés au générateur. NE JAMAIS toucher les fils effilochés ou dénudés.
- Ne faites pas fonctionner le groupe électrogène sur une pente. L'appareil doit toujours être placé sur une surface plane et stable.
- Vérifier l'état physique du produit avant chaque utilisation. Recherchez les boulons desserrés, les fuites de liquide et autres signes d'usure. Remplacez tous les éléments

endommagés. Pour des pièces de rechange ou de l'assistance, contactez notre service client.

- Pour des performances optimales, utilisez le générateur à des températures comprises entre 23 °F (-5 °C) et 104 °F (40 °C) avec une humidité relative maximale de 90 %.
- Avant de démarrer le générateur, vérifiez tous les liquides (huile et essence).
- Ne retirez pas la jauge d'huile ou le bouchon du réservoir à carburant lorsque le générateur est en marche.
- Bien serrer la jauge d'huile après avoir ajouté de l'huile et le bouchon du réservoir après avoir ajouté de l'essence.
- Évitez tout contact de la peau avec l'huile moteur ou l'essence. Porter des vêtements et un équipement de protection. Laver toute la peau exposée avec de l'eau et du savon. Un contact prolongé de la peau avec de l'essence ou de l'huile moteur peut provoquer une grave irritation de la peau et d'autres effets indésirables.
- Le générateur vibre et rebondit pendant le fonctionnement normal. Vérifiez le générateur et tous les cordons qui y sont connectés pour tout dommage qui pourrait avoir résulté de la vibration. Remplacez ou réparez les éléments endommagés au besoin. N'utilisez pas le générateur ni aucun élément présentant des signes de dommages.
- Tous les outils et appareils électriques alimentés par ce générateur doivent être correctement mis à la terre à l'aide d'un troisième fil ou être à double isolation.
- Avant de transporter le groupe électrogène, déconnectez le couvercle de la bougie, vidangez le carburant et fixez correctement l'unité.
- Du carburant ou de l'huile peut fuir du groupe électrogène pendant le transport. Placez une serviette, une feuille de plastique ou un tampon absorbant sous l'appareil pour protéger votre véhicule.
- Pour prolonger la durée de vie de ce produit, suivez les instructions de la section *Maintenance* de ce manuel.
- Remplacez les éléments endommagés ou usés par des pièces de rechange recommandées ou équivalentes. L'utilisation d'une pièce incorrecte ou incompatible peut créer un danger pouvant entraîner des blessures graves.
- Retirez toujours tous les outils ou autres équipements de service utilisés pendant l'entretien loin du générateur avant de l'utiliser.

MISE À LA TERRE

Voir la figure 3.



AVERTISSEMENT

Risque d'électrocution. Une mauvaise mise à la terre du générateur peut entraîner un choc électrique.

AVIS

Utilisez uniquement des rallonges, des outils et des appareils à 3 broches mis à la terre, ou des outils et des appareils à double isolation.

Le neutre du générateur est flottant. La borne de terre du générateur est connectée au châssis du générateur, aux parties métalliques non conductrices de courant du générateur et aux bornes de terre de chaque prise. Le générateur (enroulement

SÉCURITÉ

du stator) est isolé du châssis et de la broche de terre de la prise CA. Les appareils électriques qui nécessitent une connexion à broche de prise mise à la terre peuvent ne pas fonctionner correctement.

Si ce groupe électrogène est utilisé uniquement avec un cordon et une fiche connectés aux prises montées sur le groupe électrogène, le Code national de l'électricité n'exige pas que l'appareil soit mis à la terre. Cependant, d'autres méthodes d'utilisation du générateur peuvent nécessiter une mise à la terre pour réduire le risque de choc ou d'électrocution.

Avant d'utiliser la borne de terre, consultez un électricien qualifié, un inspecteur en électricité ou une agence locale ayant juridiction pour les codes ou réglementations locaux qui s'appliquent à l'utilisation prévue du générateur.

PRÉCAUTIONS DE SÉCURITÉ POUR L'ESSENCE ET LES VAPEURS D'ESSENCE


⚠ DANGER

Risque d'incendie et d'explosion. L'essence est hautement explosive et inflammable et peut causer des brûlures graves ou la mort.

⚠ AVERTISSEMENT

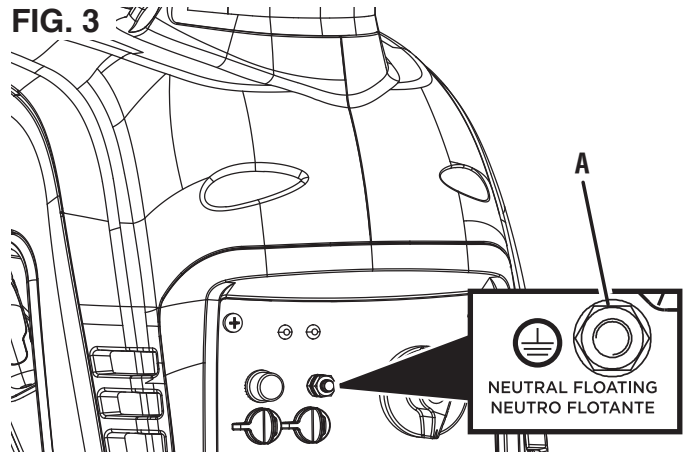
Risque d'incendie et de brûlures. NE JAMAIS desserrer ou retirer le bouchon du réservoir à carburant pendant que le générateur est en marche. Éteignez l'appareil et laissez-le refroidir pendant au moins cinq minutes avant d'ajouter de l'essence. Desserrez lentement le bouchon du réservoir.

⚠ AVERTISSEMENT

En cas d'incendie d'essence, n'essayez pas d'éteindre la flamme si l'interrupteur de commande du moteur/carburant n'est pas en position OFF . L'introduction d'un extincteur dans un générateur avec un interrupteur de carburant ouvert pourrait créer un risque d'explosion.

- Risque d'incendie. L'essence est extrêmement inflammable. Manipuler avec précaution.
- N'utilisez jamais d'essence comme agent de nettoyage.
- L'essence est un irritant cutané et doit être nettoyée immédiatement si elle entre en contact avec la peau.
- N'entrez pas d'essence à proximité d'appareils de chauffage, de chauffe-eau ou de tout autre appareil produisant de la chaleur ou à allumage automatique.
- Gardez l'essence à l'écart des étincelles, des flammes nues, des veilleuses, de la chaleur et de toute autre source d'inflammation.
- Entrez tous les récipients contenant de l'essence dans un endroit bien ventilé, à l'écart de tout combustible ou source d'inflammation.
- Entrez TOUJOURS l'essence dans un bidon approuvé pour l'essence. Les contenants non approuvés peuvent se briser ou se détériorer, ce qui permet à l'essence ou aux vapeurs d'essence de s'échapper, ce qui peut créer un grave danger.
- L'essence a une odeur particulière, cela aidera à détecter rapidement les fuites potentielles.

FIG. 3



A - Borne mise à la terre

- Les vapeurs de gaz peuvent provoquer un incendie si elles s'enflamment.
- Ne fumez pas lorsque vous manipulez du carburant, ajoutez du carburant au générateur ou videz le réservoir d'essence.
- Portez des lunettes de protection pendant le ravitaillement en carburant.
- Avant d'ajouter du carburant au générateur, éteignez l'appareil et laissez-le refroidir pendant au moins cinq minutes. Si nécessaire, déplacez l'unité sur un sol plat.
- Ne retirez pas le bouchon à réservoir de carburant lorsque le générateur est en marche.
- Desserrez lentement le bouchon de carburant pour relâcher la pression en toute sécurité, empêcher l'essence de s'échapper autour du bouchon et éviter que la chaleur du silencieux d'échappement n'enflamme les vapeurs de carburant.
- Ne JAMAIS remplir le réservoir d'essence du générateur au-delà de l'anneau de remplissage maximum sur l'écran de carburant. Maintenir les niveaux d'essence au niveau ou en dessous de l'anneau de remplissage permettra l'expansion du carburant. Un remplissage excessif du réservoir de carburant peut entraîner un débordement soudain d'essence et entraîner le contact de l'essence renversée avec des surfaces CHAUDES.
- Le carburant renversé peut s'enflammer. Essayez immédiatement les déversements et laissez sécher la zone avant de faire fonctionner le générateur. N'essayez jamais de brûler du carburant renversé.
- Revissez soigneusement le bouchon du réservoir à carburant après avoir rajouté du carburant.
- Ne couvrez pas le bouchon du réservoir à carburant pendant que le générateur est en marche. Le fait de couvrir le bouchon peut provoquer une panne du moteur ou endommager le produit.
- Vidanger le carburant avant de ranger l'appareil. Stockez l'appareil et le carburant séparément dans des zones bien ventilées, à l'écart des étincelles, des flammes nues, des veilleuses, de la chaleur et d'autres sources d'inflammation.
- Éteignez l'appareil et laissez-le refroidir pendant au moins 30 minutes avant de vidanger le carburant.

SÉCURITÉ

INFORMATIONS IMPORTANTES POUR LE CAPTEUR DE CO

Le capteur de CO surveille l'accumulation de monoxyde de carbone toxique autour du générateur lorsque le moteur tourne. Si des niveaux croissants de gaz CO sont détectés, le capteur de CO arrête automatiquement le moteur.

Le capteur de CO détectera également l'accumulation de monoxyde de carbone provenant d'autres sources de combustion de carburant utilisées dans la zone de fonctionnement. Par exemple, si l'échappement d'outils à combustible est dirigé vers un générateur équipé d'un capteur de CO, un arrêt peut être déclenché en raison de l'augmentation des niveaux de CO. Ce n'est pas une erreur. Du monoxyde de carbone dangereux a été détecté. Déplacez et redirigez toute autre source de combustion de combustible pour dissiper le monoxyde de carbone loin des personnes et des bâtiments occupés.

NOTE : Les générateurs équipés d'un démarrage à distance doivent être redémarrés avec le bouton START/STOP sur le panneau de commande après un arrêt automatique.

Les groupes électrogènes sont destinés à être utilisés à l'extérieur, loin des bâtiments occupés et l'échappement dirigé loin des personnes et des bâtiments. S'il est mal utilisé et utilisé dans un endroit qui entraîne l'accumulation de CO, comme dans une zone partiellement fermée, le capteur de CO arrête le moteur et le voyant lumineux ROUGE clignote pour informer l'utilisateur qu'il existe des niveaux dangereux de monoxyde de carbone.

Si le générateur s'arrête et que le voyant lumineux ROUGE clignote, quittez immédiatement la zone. Attendez que le monoxyde de carbone se dissipe et que le voyant lumineux ROUGE s'éteigne avant de retourner dans la zone affectée. Une fois que vous pouvez revenir en toute sécurité, lisez l'étiquette d'action pour connaître les étapes à suivre. Le capteur de CO NE remplace PAS les avertisseurs de monoxyde de carbone. Installez des détecteurs de monoxyde de carbone à piles dans votre maison.



AVERTISSEMENT

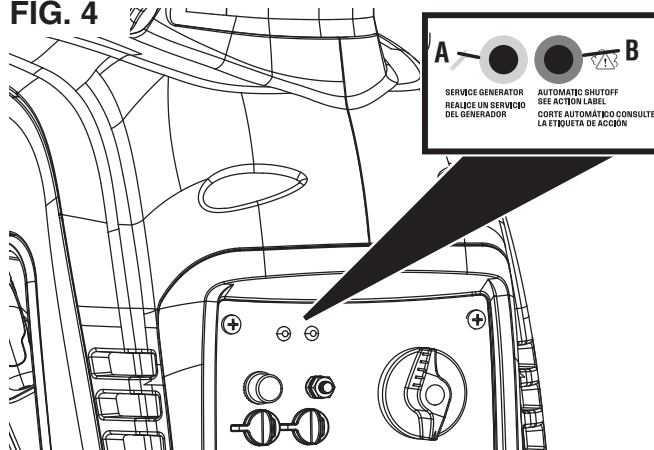
L'arrêt automatique accompagné d'un voyant lumineux ROUGE clignotant dans la partie capteur de CO du panneau de commande indique que le générateur était mal situé, ce qui a permis au monoxyde de carbone de s'accumuler à des niveaux dangereux. Si vous commencez à vous sentir malade, étourdi, faible ou si les détecteurs de monoxyde de carbone de votre maison indiquent une alarme, rendez-vous immédiatement dans un endroit bien aéré. Appelez les services d'urgence. Vous pourriez être victime d'une intoxication au monoxyde de carbone.

COMPRENDRE LES VOYANTS LUMINEUX DU CAPTEUR DE CO

Voir la figure 4.

COULEUR	DESCRIPTION
<p>ROUGE</p>	<p>Niveaux dangereux de monoxyde de carbone accumulés autour du générateur. Après l'arrêt, le voyant lumineux ROUGE dans la zone du capteur de CO du panneau de commande clignotera pour indiquer que le générateur a été arrêté en raison de niveaux de monoxyde de carbone dépassant un seuil de sécurité. Le voyant ROUGE clignotera pendant au moins cinq minutes après un arrêt dû au CO.</p> <p>Lorsque vous pouvez le faire en toute sécurité, déplacez le générateur dans une zone extérieure dégagée, loin des espaces occupés, avec l'échappement dirigé vers l'extérieur. Une fois déplacé dans une zone sûre et que le voyant lumineux rouge est éteint, le générateur peut être redémarré. Aérez la zone où le générateur s'est arrêté.</p>
<p>JAUNE</p>	<p>Une défaillance du système de capteur de CO s'est produite. Lorsqu'un défaut du système se produit, le générateur s'arrête automatiquement et le voyant lumineux JAUNE situé dans la zone d'arrêt automatique du CO du panneau de commande clignote pour signaler une anomalie. Le voyant lumineux JAUNE clignotera pendant au moins cinq minutes après un défaut. Le générateur peut être redémarré mais peut continuer à s'arrêter. Un défaut du capteur de CO ne peut être diagnostiqué et réparé que par un centre de service agréé Westinghouse.</p>

FIG. 4



A - DEL du générateur de service (service generator)
 B - DEL d'arrêt automatique (automatic shutoff)

SÉCURITÉ

ÉTIQUETTES ET AUTOCOLLANTS DE SÉCURITÉ

Les informations suivantes figurent sur les étiquettes et les autocollants de votre générateur.

① Étiquette d'action

Si des niveaux dangereux de monoxyde de carbone s'accumulent autour du générateur, un arrêt automatique se produira. Si l'appareil s'éteint, quittez immédiatement la zone. Lorsque vous pouvez revenir en toute sécurité, procédez comme suit :

- Déplacez le générateur dans un espace extérieur ouvert.
- Dirigez l'échappement vers l'extérieur.
- Ne pas faire fonctionner le générateur dans des espaces clos (par exemple, maison ou garage).
- Déplacez-vous dans un endroit aéré.
- Obtenez de l'aide médicale si vous êtes malade, étourdi ou faible.
- **AVERTISSEMENT** – L'altération du capteur de monoxyde de carbone peut entraîner des conditions dangereuses.



② Direction d'échappement

Dirigez l'échappement loin des parties du corps et des matériaux inflammables ou combustibles.

③ Symboles de sécurité

(Voir la page 4)

④ Caractéristiques

(Voir la page 3)

⑤ Proposition 65 de la Californie

Cancer et troubles de la reproduction – www.P65Warnings.ca.gov/product

⑥ Monoxyde de carbone

- L'utilisation d'un générateur à l'intérieur **PEUT VOUS TUER EN QUELQUES MINUTES**. L'échappement du générateur contient du monoxyde de carbone. C'est un poison que vous ne pouvez ni voir ni sentir.
- **NE JAMAIS** utiliser à l'intérieur d'une maison ou d'un garage, **MÊME SI** les portes et les fenêtres sont ouvertes.

⑦ Surface chaude

Ne pas toucher.

ACTION LABEL | ETIQUETA DE FUNCIONAMIENTO | ÉTIQUETTE D'ACTION

1 **AUTOMATIC SHUTOFF - YOU MUST:**
ETIQUETA DE FUNCIONAMIENTO:
ÉTIQUETTE D'ACTION:

- MOVE GENERATOR TO AN OPEN, OUTDOOR AREA.
- POINT EXHAUST AWAY.
- DON'T RUN GENERATOR IN ENCLOSED AREAS (E.G. NOT IN HOUSE OR GARAGE).

• MOVER EL GENERADOR A UN ÁREA ABIERTA, EN EXTERIORES

• ORIENTAR EL TUBO DE ESCAPE HACIA AFUERA

• NO ACTIVAR EL GENERADOR EN ÁREAS CERRADAS (P. EJ.: EN UNA CASA O GARAJE)

• DEPLACER LA GÉNÉRATRICE DANS UN ESPACE EXTÉRIEUR OUVERT

• DIRIGER L'ÉCHAPPEMENT LOIN DE VOUS

• NE PAS FAIRE FONCTIONNER LA GÉNÉRATRICE DANS DES ENDROITS FERMÉS (COMME DANS LA MAISON OU LE GARAGE)

+ **MOVE TO FRESH AIR.**

+ **GET MEDICAL HELP IF SICK, DIZZY OR WEAK.**

• MOVER AL AIRE LIBRE

• OBTENER ATENCIÓN MÉDICA SI SE SIENTE ENFERMO, MAREADO O DÉBIL.

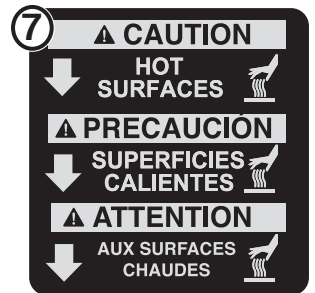
• VOUS RETIRER À L'AIR FRAIS

• CONSULTER UN MÉDECIN SI VOUS ÊTES MALADE, ÉTOURDI OU FAIBLE

! **WARNING** TAMPERING WITH CARBON MONOXIDE SENSOR COULD RESULT IN HAZARDOUS CONDITION
ADVERTENCIA HACER ALTERACIONES CON SENSOR DE MONÓXIDO DE CARBONO PODRÍA OCASIONAR CONDICIONES PELIGROSAS
AVERTISSEMENT L'ALTÉRATION DE CAPTEUR DE MONOXYDE DE CARBONE PEUT ENTRAÎNER DES CONDITIONS DANGEREUSES

Model Modelo Modèle	iGen2800c
AC Voltage Voltaje Tension alternative	120V
Running Watts Potencia (nominal) Puissance (en marche)	2200W
Peak Watts Potencia (pico) Puissance (pic)	2800W
AC Current Corriente Courant	18A
DC Voltage Voltaje Tension continue	5V
DC Current Corriente Courant	2x2.1A
Frequency Frecuencia Fréquence	60Hz
Phase Fase Phase	Single Soltero
RPM TR tr/min	up to 5000
Power Factor Factor de potencia Facteur de puissance	1.0
Insul Class Clase de aislamiento Classe d'isolation	F
Max Amb Temp Temperatura máxima Température ambiante max.	40°C (104°F)
Fuel Combustible Carburant	Gasoline Gasolina De l'essence
Fuel Tank Size Tamaño del tanque de combustible Taille du réservoir de carburant	3.7L/1G
Oil Aceite de motor Huile moteur	SAE10W-30
Oil Capacity Capacidad de aceite Capacité d'huile	.37 QT/11.8 OZ/350 ML

FOR ELECTRICAL EQUIPMENT ONLY



! **WARNING:** Cancer and reproductive harm - www.P65Warnings.ca.gov/product

! **AVERTISSEMENT:** Cancer et problèmes de reproduction - www.P65Warnings.ca.gov/product

! **ADVERTENCIA:** Cáncer y daños al sistema reproductor - www.P65Warnings.ca.gov/product

! **DANGER**

Using a generator indoors **CAN KILL YOU IN MINUTES**. Generator exhaust contains carbon monoxide. This is a poison you cannot see or smell.

NEVER use inside a home or garage, **EVEN IF** doors and windows are open.

! **PELIGRO**

Si usa un generador en interiores, **MORIRÁ EN POCOS MINUTOS**. El escape del generador contiene monóxido de carbono. Es un veneno que no tiene olor ni se puede ver.

• **NUNCA** lo use dentro de una casa o garaje, **AUN SI** las puertas y ventanas están abiertas

• Sólo úselo **EN EXTERIORES** y lejos de ventanas, puertas y ductos de ventilación.

! **DANGER**

Utiliser un générateur à l'intérieur **PEUT VOUS TUER EN QUELQUES MINUTES**. Les gaz d'échappement du générateur contiennent du monoxyde de carbone. C'est un gaz toxique invisible et inodore.

• **NE JAMAIS** utiliser à l'intérieur d'une maison ou d'un garage, **MÊME SI** les portes et les fenêtres sont ouvertes.

• Utilisez **UNIQUEMENT** à l'EXTÉRIEUR et loin des entrées, portes et ventilations.

CAPACITÉ DU GÉNÉRATEUR

AVIS

Ne surchargez pas la capacité du générateur. Le dépassement de la capacité en watts/ampérage du générateur peut endommager le générateur et/ou les appareils électriques qui y sont connectés.

Passez en revue les **Caractéristiques** de ce générateur et notez les watts de fonctionnement (continu) et de pointe (démarrage). En général, plus la puissance est élevée, plus plusieurs appareils peuvent être alimentés en même temps. La puissance totale requise de tous les appareils connectés doit être prise en compte. Les exigences d'alimentation sont souvent répertoriées sur l'étiquette de données ou la plaque signalétique d'un appareil.

Pour déterminer les besoins en alimentation :

- Choisissez les appareils que vous souhaitez alimenter simultanément.
- Enregistrez et totalisez la puissance électrique de fonctionnement (continu) de chaque appareil. Le générateur doit produire en continu cette quantité de puissance pour maintenir les appareils en marche.
- Enregistrez la puissance électrique de pointe (de départ) pour chaque appareil. Il s'agit de la surtension momentanée requise pour démarrer les moteurs électriques de certains outils et appareils.
- Sélectionnez l'appareil avec la puissance électrique de crête (démarrage) la plus élevée. Ajoutez la puissance de pointe (de démarrage) pour cet appareil au total des puissances électriques de fonctionnement (continues) de tous les appareils connectés pour déterminer la watts de pointe totale requise pour le générateur.

NOTE : L'exigence de la puissance électrique de pointe totale suppose un démarrage intermittent des appareils. Ajustez l'estimation si les appareils atteignent la puissance maximale en même temps.

GESTION DE LA PUISSANCE DU GÉNÉRATEUR

Pour prolonger la durée de vie du générateur, soyez prudent lors de l'ajout de charges électriques. Débranchez toutes les charges avant de démarrer le générateur. Le moyen le plus sûr de gérer l'alimentation du générateur consiste à ajouter des charges séquentiellement en procédant comme suit :

- Retirez toutes les charges et démarrez le générateur comme décrit plus loin dans ce manuel.
- Connectez et démarrez le plus grand dispositif ou appareil. Les exigences d'alimentation sont souvent répertoriées sur l'étiquette de données ou la plaque signalétique d'un appareil.
- Laissez la sortie du générateur se stabiliser. Une fois stable, le moteur doit tourner sans à-coups et l'appareil doit fonctionner correctement.
- Connectez et démarrez le prochain plus grand dispositif ou appareil.
- Laissez la sortie du générateur se stabiliser.
- Répétez ce processus pour chaque charge supplémentaire.

RALLONGES



AVERTISSEMENT

Risque d'asphyxie. Les rallonges qui passent directement dans la maison augmentent le risque d'intoxication au monoxyde de carbone par toutes les ouvertures. Si une rallonge allant directement dans votre maison est utilisée pour alimenter des appareils d'intérieur, il existe un risque d'intoxication au monoxyde de carbone pour les personnes à l'intérieur de la maison. Utilisez toujours des détecteurs de monoxyde de carbone alimentés par batterie qui répondent aux normes de sécurité UL 2034 en vigueur lors du fonctionnement du générateur. Vérifiez régulièrement la pile du ou des détecteurs.



AVERTISSEMENT

Risque d'asphyxie. Lors de l'utilisation du générateur avec des rallonges, assurez-vous que le générateur est situé dans une zone extérieure ouverte, loin des espaces occupés, avec l'échappement dirigé vers l'extérieur.



AVERTISSEMENT

Risque d'incendie et d'électrocution. N'utilisez jamais de rallonges usées ou endommagées. Des rallonges électriques endommagées ou surchargées peuvent surchauffer, former un arc et brûler, entraînant la mort ou des blessures graves.

Avant de brancher un appareil CA ou un cordon d'alimentation au générateur :

- Utilisez des rallonges, des outils et des appareils électroménagers à 3 broches mis à la terre, ou des outils et appareils à double isolation.
- Assurez-vous que l'outil ou l'appareil est en bon état de fonctionnement. Des appareils ou des cordons d'alimentation défectueux peuvent créer un potentiel de choc électrique.
- Assurez-vous que la puissance électrique de l'outil ou de l'appareil ne dépasse pas la puissance nominale du générateur ou de la prise utilisée.

AVIS

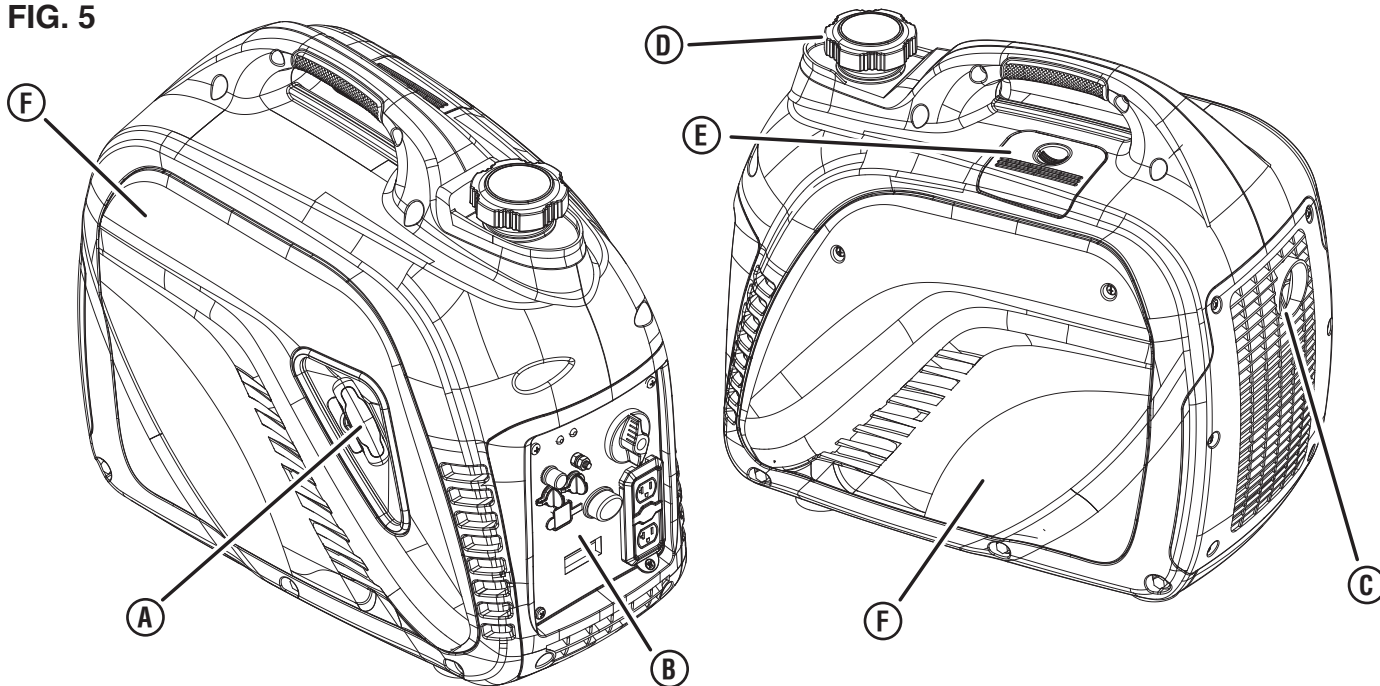
Ne dépassez pas la capacité de l'appareil. Une surcharge de la capacité en watts et/ou en intensité du générateur pourrait endommager les appareils connectés et les composants critiques du générateur.

DIMENSIONNEMENT DE LA RALLONGE

Assurez-vous que votre rallonge peut supporter la charge requise. Des câbles trop petits peuvent provoquer une chute de tension susceptible de provoquer une surchauffe du cordon ou des dommages matériels. Reportez-vous aux directives du fabricant du cordon pour connaître la taille et la longueur appropriées.

COMPOSANTS

FIG. 5



A - Poignée du lanceur-réenrouleur
B - Panneau de commande

C - Silencieux/pare-étincelles
D - Bouchon de carburant

E - Capot d'entretien de la bougie
F - Couvercle d'entretien du moteur

COMPRENDRE VOTRE GÉNÉRATEUR

Voir les figures 5 et 6.

Pour réduire le risque de blessure et de défaillance du produit, lisez et comprenez les informations contenues dans ce manuel de l'utilisateur ainsi que les informations sur l'étiquetage du produit.

PRISES 120 VOLTS C.A.

Cette unité dispose de deux prises de 120 V, 18 A capables d'alimenter une variété d'appareils, d'outils et d'équipements.

VOYANTS DU CAPTEUR DE CO

Le capteur de CO surveille l'accumulation de monoxyde de carbone toxique. Si des niveaux croissants de gaz CO sont détectés, le capteur de CO arrête automatiquement le moteur.

COMMUTATEUR DE FONCTIONNEMENT ECONOMIQUE

Le mode Eco minimise la consommation de carburant et le bruit en ajustant le régime moteur au minimum requis pour la charge actuelle.

RÉSERVOIR DE CARBURANT

Le générateur a un réservoir de carburant d'une capacité de 3,7 litres.

BORNE DE MISE À TERRE

La borne mise à la terre est utilisée pour mettre à la terre extérieurement le générateur.

CENTRE DE DONNÉES LED

Affiche le temps de fonctionnement restant (F), la puissance de sortie en kW (P), le niveau de carburant en litres (L), la tension de sortie (V) et les heures de durée de vie.

SILENCIEUX ET PARE-ÉTINCELLES

Le pare-étincelles empêche les étincelles de sortir du silencieux. Il doit être retiré pour l'entretien.

AVIS

Le pare-étincelles est un dispositif de sécurité qui empêche les étincelles de sortir du silencieux et de créer un risque d'incendie. Dans certains endroits, un pare-étincelles peut être requis par la loi. Il est de la responsabilité de l'opérateur de connaître et de respecter toutes les lois et réglementations locales relatives aux exigences de prévention des incendies.

JAUGE D'HUILE

Dévissez la jauge d'huile pour vérifier les niveaux d'huile et ajoutez de l'huile si nécessaire.

VOYANT DE SORTIE PRÊTE

S'allume lorsque le générateur fonctionne normalement. Indique que le générateur produit de l'électricité aux prises.

RÉINITIALISATION DE LA SURCHARGE

Le générateur éteindra automatiquement toutes les sorties de courant pour protéger le générateur en cas de surcharge ou en cas de court-circuit d'un appareil connecté.

POIGNÉE DU LANCEUR-REENROULEUR

Utilisez la poignée du lanceur-réenrouleur (et l'interrupteur de commande du moteur/carburant) pour démarrer le générateur.

COUVERCLE D'ACCES A LA BOUGIE

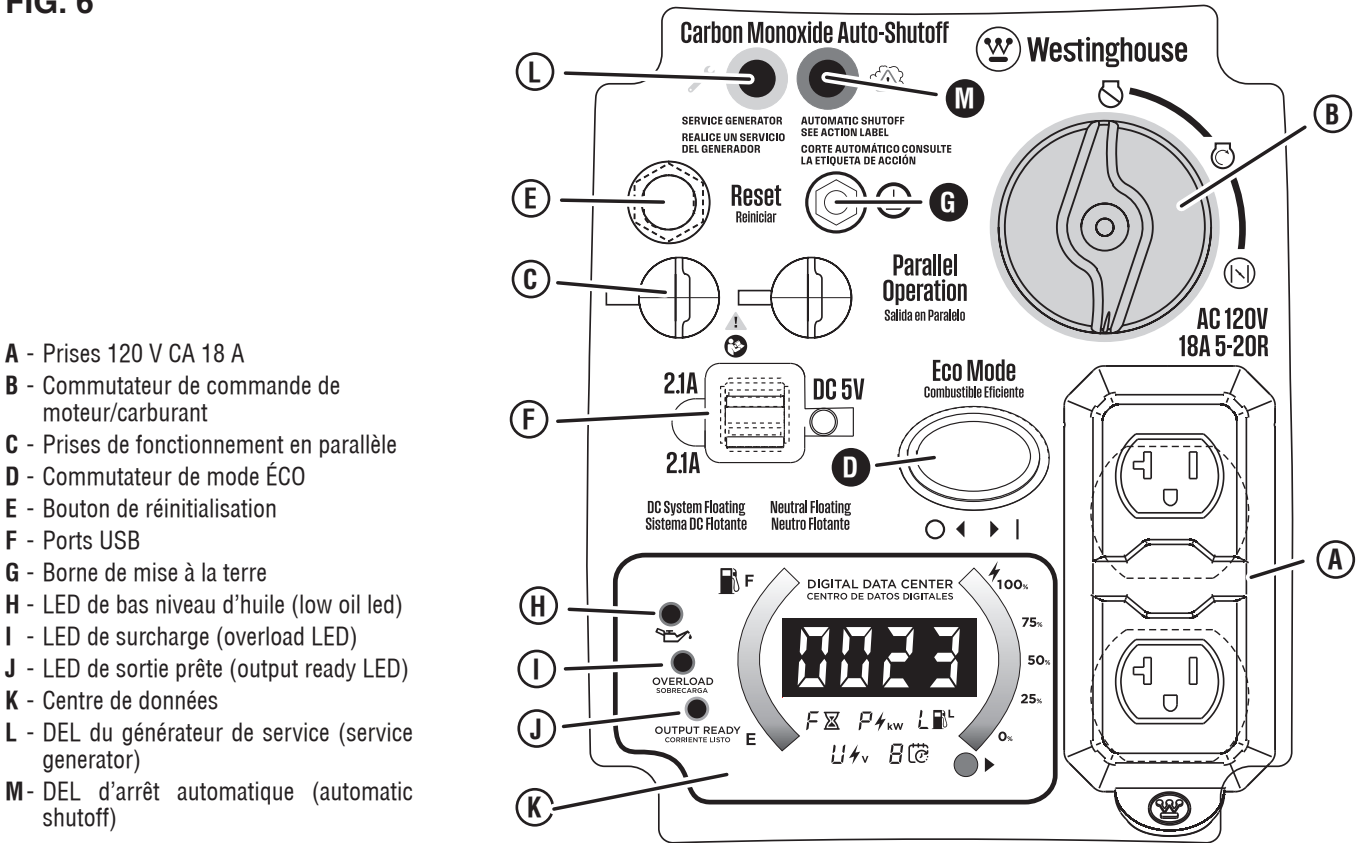
Soulevez ce couvercle pour accéder à la bougie.

PORTS USB

Prise USB à deux ports 5 V/2,1 A. Accepte les prises USB de type A.

COMPOSANTS

FIG. 6



- A - Prises 120 V CA 18 A
- B - Commutateur de commande de moteur/carburant
- C - Prises de fonctionnement en parallèle
- D - Commutateur de mode ÉCO
- E - Bouton de réinitialisation
- F - Ports USB
- G - Borne de mise à la terre
- H - LED de bas niveau d'huile (low oil led)
- I - LED de surcharge (overload LED)
- J - LED de sortie prête (output ready LED)
- K - Centre de données
- L - DEL du générateur de service (service generator)
- M - DEL d'arrêt automatique (automatic shutoff)

ASSEMBLAGE

RETRAIT DU CONTENU DU CARTON

AVERTISSEMENT Ce produit ne nécessite aucun assemblage. N'essayez pas de faire fonctionner ce produit s'il n'est pas complètement assemblé. L'utilisation d'un produit mal assemblé peut être dangereuse et entraîner des blessures graves.

- Retirez et inspectez le contenu du dessin animé. Vérifiez que tous les **ELEMENTS INCLUS DANS LA LISTE** sont présents et en bon état.
- Recyclez ou éliminez correctement les matériaux d'emballage.

LISTE D'ELEMENTS INCLUS

Générateur, huile moteur (SAE 10W 30), entonnoir, clé à douille pour bougie d'allumage, guide de démarrage rapide, manuel d'utilisation

Si des pièces manquent, contactez le service client à service@wpowereq.com ou appelez le 1-855-944-3571.

AVERTISSEMENT Ne pas altérer ou modifier ce produit à moins d'indication contraire dans ce manuel ou par le fabricant. N'utilisez pas de pièces jointes ou d'accessoires qui ne sont pas recommandés pour une utilisation avec ce produit. Toute modification non autorisée et l'utilisation d'accessoires incompatibles peuvent endommager l'appareil et annuler votre garantie.

APERÇU

Ce groupe électrogène portable peut alimenter une large gamme d'articles, notamment des appareils électroménagers, des outils de chantier, du matériel de camping, des accessoires de talonnage et bien plus encore.

AVIS CE GÉNÉRATEUR A ÉTÉ EXPÉDIÉ SANS HUILE. N'essayez pas de lancer ou de démarrer le moteur avant qu'il n'ait été correctement entretenu avec l'huile recommandée. Ne pas ajouter d'huile moteur avant le démarrage entraînera de graves dommages au moteur qui ne sont pas couverts par la garantie.

FONCTIONNEMENT

DANGER

L'échappement du générateur contient des niveaux élevés de monoxyde de carbone (CO), un gaz invisible, inodore et extrêmement toxique. Si vous sentez une odeur de gaz d'échappement, vous respirez du monoxyde de carbone. Mais, même si vous ne sentez pas les gaz d'échappement, vous inhalez peut-être du CO. Faites fonctionner UNIQUEMENT les générateurs à l'extérieur, dans un endroit bien aéré. NE JAMAIS faire fonctionner les générateurs à l'intérieur, cela PEUT VOUS TUER EN QUELQUES MINUTES.

- N'utilisez les générateurs qu'à l'extérieur et sous le vent, loin des fenêtres, portes et événements. Dirigez toujours l'évacuation loin des espaces occupés. Installez toujours des détecteurs de monoxyde de carbone alimentés par batterie ou des détecteurs de monoxyde de carbone enfichables avec batterie de secours dans les zones résidentielles. *Voir la figure 1.*

- **Utilisation incorrecte** – NE JAMAIS utilisez une génératrice dans votre maison, garage, sous-sol, grenier, vide sanitaire ou tout autre espace entièrement ou partiellement clos. Des zones comme celles-ci peuvent permettre l'accumulation de niveaux dangereux de monoxyde de carbone. Une porte ouverte ou un ventilateur en marche NE PAS assurera une ventilation adéquate. *Voir la figure 2.*

Si vous commencez à vous sentir étourdi, faible ou malade pendant l'utilisation du générateur, sortez immédiatement à l'air frais. Contactez un médecin. Vous souffrez peut-être d'une intoxication au monoxyde de carbone.

AVERTISSEMENT

Ne pas altérer ou modifier ce produit à moins d'indication contraire dans ce manuel ou par le fabricant. N'utilisez pas de pièces jointes ou d'accessoires qui ne sont pas recommandés pour une utilisation avec ce produit. Toute modification non autorisée et l'utilisation d'accessoires incompatibles peuvent endommager l'appareil et annuler votre garantie.

AVIS

Dans certaines circonstances, le Code national de l'électricité peut exiger que le générateur soit raccordé à la terre. Consultez un électricien qualifié pour déterminer les exigences de mise à la terre avant l'utilisation.

AVERTISSEMENT

Éviter tout contact de la peau avec l'huile moteur ou l'essence. Porter des vêtements et un équipement de protection. Laver toute la peau exposée avec de l'eau et du savon. Un contact prolongé de la peau avec de l'essence ou de l'huile moteur peut provoquer une grave irritation de la peau et d'autres effets indésirables.

AVIS

Vérifiez l'état physique du produit avant chaque utilisation. Recherchez les boulons desserrés, les fuites de liquide et autres signes d'usure. Remplacez tous les éléments endommagés.

SAVOIR COMMENT LOCALISER ET FAIRE FONCTIONNER EN TOUTE SÉCURITÉ VOTRE GÉNÉRATEUR

DANGER

Risque d'asphyxie. Placez le générateur dans un endroit bien aéré. NE PAS placer le générateur à proximité d'évents ou de prises d'air où les gaz d'échappement pourraient être aspirés dans des espaces occupés ou confinés. Tenez compte du vent et des courants d'air lors du positionnement du générateur.

AVERTISSEMENT

Risque d'électrocution. N'utilisez jamais le générateur dans un endroit mouillé ou humide. N'exposez jamais le générateur à la pluie, à la neige, aux projections d'eau ou à l'eau stagnante pendant son utilisation. Protégez le générateur de toutes les conditions météorologiques dangereuses. L'humidité ou la glace peuvent provoquer un court-circuit ou un autre dysfonctionnement du circuit électrique. L'utilisation d'un générateur ou d'un appareil électrique dans des conditions humides, comme la pluie ou la neige, ou près d'une piscine ou d'un système d'arrosage, ou lorsque vos mains sont mouillées, peut entraîner une électrocution.

AVERTISSEMENT

Risque d'incendie. N'utilisez le générateur que sur une surface solide et horizontale. L'utilisation du générateur sur une surface avec des matériaux meubles tels que du sable ou des rognures d'herbe peut provoquer l'ingestion de débris par le générateur qui pourrait bloquer les événements de refroidissement ou le système d'admission d'air. Laissez le générateur refroidir pendant 30 minutes avant de le transporter ou de le stocker.

- Lisez et comprenez toutes les consignes de sécurité avant de démarrer le groupe électrogène (Voir les pages 4 à 9).
- NE JAMAIS utilisez un générateur dans votre maison, garage, sous-sol, grenier, vide sanitaire ou tout autre espace entièrement ou partiellement clos. Des zones comme celles-ci peuvent permettre l'accumulation de niveaux dangereux de monoxyde de carbone. Le monoxyde de carbone (CO), un gaz invisible, inodore et extrêmement toxique PEUT VOUS TUER EN QUELQUES MINUTES.
- Ne faites pas fonctionner le générateur à l'arrière d'un SUV, d'une caravane, d'une remorque, d'un plateau de camion (normal, plat ou autre), sous des escaliers, à côté de murs ou de bâtiments, ou dans tout autre endroit qui ne permettra pas un refroidissement adéquat du générateur et/ou le silencieux. L'utilisation du générateur dans des zones fermées ou partiellement fermées permettra l'accumulation de niveaux dangereux de CO.
- NE CONTENEZ PAS les générateurs pendant le fonctionnement.

FONCTIONNEMENT

- Utilisez uniquement à l'EXTÉRIEUR et loin des fenêtres, des portes et des événements, comme recommandé par les centres de contrôle et de prévention des maladies du département américain de la santé et des services sociaux. Votre domicile spécifique et/ou les conditions de vent peuvent nécessiter une distance supplémentaire.
- Ne faites pas fonctionner le groupe électrogène sur une pente. L'appareil doit toujours être placé sur une surface plane et stable.
- Le générateur doit être sur une surface plane et nivelée en tout temps (même lorsqu'il n'est pas en marche).
- Le générateur doit avoir au moins 5 pieds (1,5 m) de dégagement de tout matériau combustible.

CONNAÎTRE LA RÉGLEMENTATION D'UTILISATION DES GÉNÉRATEURS PORTABLES

Prenez en compte le lieu et comment vous avez l'intention d'utiliser votre groupe électrogène et familiarisez-vous avec toutes les réglementations locales, nationales ou fédérales concernant l'utilisation prévue. Il peut être nécessaire de contacter un électricien qualifié ou une agence gouvernementale locale pour une liste complète des exigences.

AJOUTER DE L'HUILE/VÉRIFIER LE NIVEAU D'HUILE

Voir les figures 7 et 8.

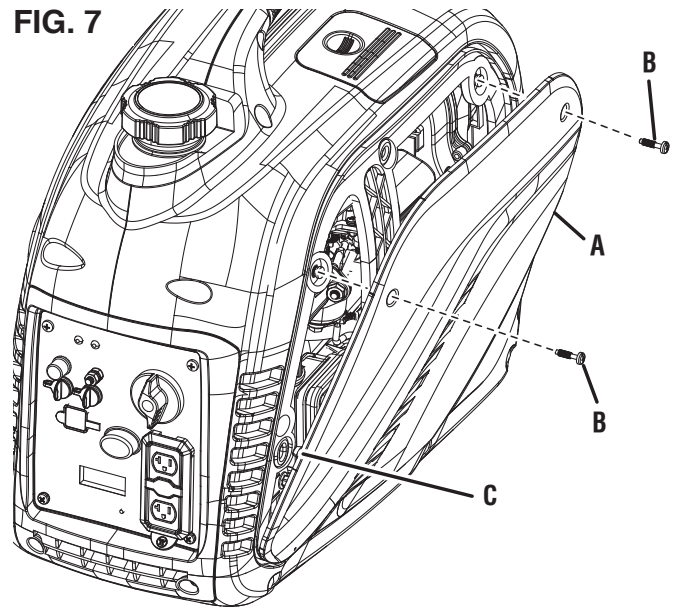
Si votre produit dispose d'un manuel du moteur séparé, ne tenez pas compte des informations contenues dans cette section et suivez les instructions du manuel du moteur.

AVIS CE GÉNÉRATEUR A ÉTÉ EXPÉDIÉ SANS HUILE. N'essayez pas de lancer ou de démarrer le moteur avant qu'il n'ait été correctement entretenu avec l'huile recommandée. Ne pas ajouter d'huile moteur avant le démarrage entraînera de graves dommages au moteur qui ne sont pas couverts par la garantie.

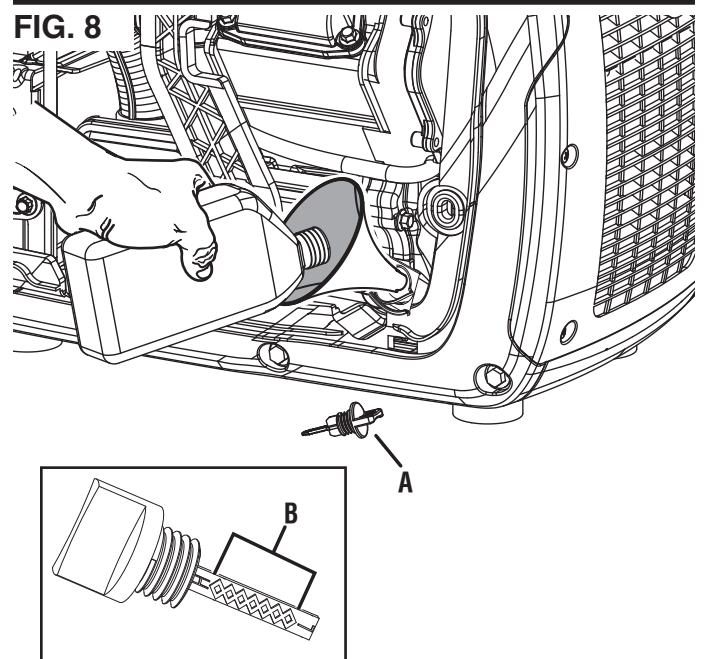
AVIS L'utilisation d'huile 2 temps/cycle ou d'autres types d'huile non approuvés peut causer de graves dommages au moteur qui ne sont pas couverts par la garantie.

Le type d'huile inclus et recommandé pour une utilisation typique est l'huile moteur 10W-30. Si vous faites fonctionner le générateur à des températures extrêmes, reportez-vous au tableau suivant.

Type d'huile moteur recommandé									
		10W-30							
	5W-30						10W-40		
	5W-30 Synthétique								
°F	-20	0	20	40	60	80	100	120	
°C	-28.9	-17.8	-6.7	4.4	15.6	26.7	37.8	48.9	
	Température ambiante								



A - Couvercle d'entretien du moteur
B - Position verrouillée
C - Position déverrouillée



A - Jauge d'huile
B - Plaque de fonctionnement sécuritaire

NOTE : Vérifiez le niveau d'huile moteur avant chaque utilisation ou toutes les 8 heures de fonctionnement.

- Éteignez le générateur et laissez le moteur refroidir pendant au moins cinq minutes.
- Placez le générateur sur une surface plane dans un endroit bien aéré.

Retirez le couvercle de service du moteur pour accéder au filtre à air, au carburateur, au remplissage/vidange d'huile et à la jauge. Retirez les deux vis du couvercle, puis retirez doucement le couvercle avec les deux mains pour éviter d'endommager les tiges des œillets du couvercle.

- Nettoyez la zone autour de la jauge d'huile.

FONCTIONNEMENT

Pour le premier remplissage d'huile :

- Dévisser et retirer lentement la jauge d'huile.
- À l'aide de l'entonnoir, versez lentement l'huile moteur fournie dans l'orifice de remplissage d'huile. Arrêtez-vous fréquemment pour vous assurer de ne pas trop remplir.

NOTE : Votre générateur a été testé fonctionnellement en usine et peut contenir un minimum d'huile résiduelle. De l'huile supplémentaire est nécessaire pour faire fonctionner l'unité. **Ne pas** trop remplir.

- Remplacer et serrer la jauge d'huile.
- Installez le couvercle d'entretien du moteur et tournez le bouton de verrouillage en position verrouillée pour le fixer.

Pour vérifier le niveau d'huile :

- Dévisser et retirer lentement la jauge d'huile.
- Nettoyez la jauge et replacez-la dans l'orifice de remplissage d'huile. Ne pas visser la jauge.
- Retirez la jauge et vérifiez que le niveau d'huile se situe dans la plage de fonctionnement sécuritaire.
- Si le niveau d'huile est bas, ajouter progressivement l'huile moteur recommandée et revérifier jusqu'à ce que le niveau se situe dans la plage de fonctionnement sûre.
- Remplacer la jauge d'huile et serrer à la main.
- Installez le couvercle de service du moteur et les vis. Serrez solidement.

EXIGENCES EN ESSENCE

AVIS

Ne pas utiliser de carburant E15 ou E85 dans ce produit. Les dommages au moteur ou à l'équipement causés par du carburant impropre ou l'utilisation de carburants non approuvés (tels que les mélanges d'éthanol E15 ou E85) ne sont pas couverts par la garantie. N'utilisez que de l'essence sans plomb contenant jusqu'à 10 % d'éthanol.

- Utilisez TOUJOURS de l'essence PROPRE, FRAÎCHE et sans plomb (indice d'octane 87-93) dans cet appareil. N'utilisez JAMAIS d'essence VIEILLE, VICIÉ ou CONTAMINÉE.



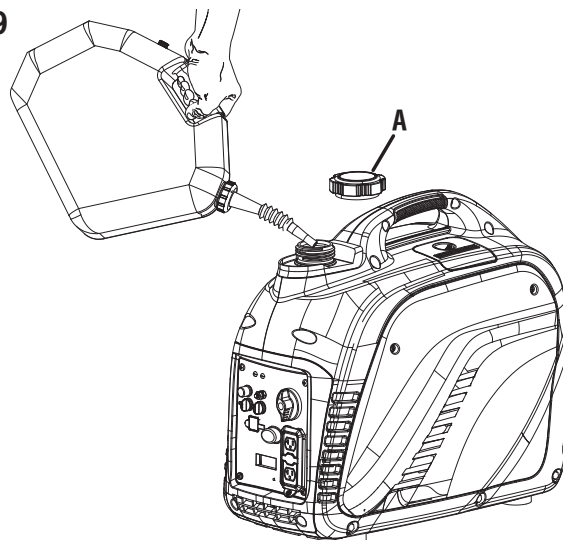
- Jusqu'à 10 % d'éthanol (gasohol) est acceptable (le cas échéant ; un carburant sans éthanol est recommandé).
- NE PAS utiliser E85 ou E15.
- N'UTILISEZ PAS de mélange gazole.
- NE PAS modifier le moteur pour qu'il fonctionne avec des carburants alternatifs.

UTILISATION DU STABILISATEUR DE CARBURANT

L'ajout d'un stabilisateur de carburant (non inclus) prolonge la durée de vie utile du carburant et aide à prévenir la formation de dépôts qui peuvent obstruer le système de carburant. Suivez les instructions d'utilisation du fabricant.

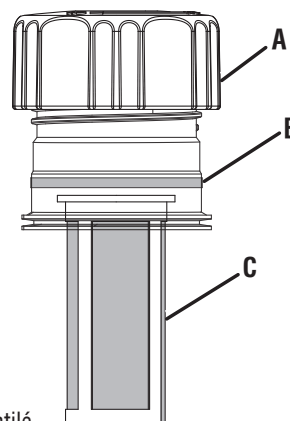
Mélangez toujours la bonne quantité de stabilisateur de carburant à l'essence dans un bidon d'essence approuvé avant de faire le plein de la génératrice. Faites fonctionner le générateur pendant cinq minutes pour permettre au stabilisateur de traiter l'ensemble du système de carburant.

FIG. 9



A - Bouchon de carburant ventilé

FIG. 10



A - Bouchon de carburant ventilé
B - Ligne de remplissage maximum
C - Filtre d'écran

AJOUTER DE L'ESSENCE

Voir les figures 9 et 10.

⚠ DANGER

Risque d'incendie et d'explosion. Ne retirez jamais le bouchon du réservoir et ne faites jamais le plein du groupe électrogène pendant que le moteur tourne. Ne fumez pas et ne créez pas d'étincelles pendant le ravitaillement. Coupez toujours le moteur et laissez le générateur refroidir pendant au moins cinq minutes avant de faire le plein.

⚠ DANGER

Risque d'incendie et d'explosion. Ne remplissez pas trop le réservoir de carburant. Remplissez uniquement jusqu'à l'anneau de remplissage maximum rouge sur le filtre à carburant. Un remplissage excessif peut provoquer un déversement de carburant sur le moteur, provoquant un risque d'incendie ou d'explosion.

⚠ AVERTISSEMENT

N'utilisez jamais un bidon d'essence, un réservoir d'essence ou tout autre récipient cassé, coupé, déchiré ou endommagé.

FONCTIONNEMENT

AVIS

Remplissez le réservoir uniquement à partir d'un bidon d'essence approuvé. Assurez-vous que l'intérieur du bidon d'essence est propre et en bon état pour éviter la contamination du système d'alimentation.

- Éteignez le générateur et laissez le moteur refroidir pendant au moins cinq minutes.
- Placez le générateur sur une surface plane dans un endroit bien aéré. **NE PAS faire le plein à l'intérieur.**
- Nettoyez la zone autour du bouchon de carburant et retirez lentement le bouchon.
- Ajoutez lentement le carburant recommandé. Ne pas trop remplir.

NOTE : Le niveau d'essence ne doit PAS être supérieur à l'anneau rouge de remplissage maximum sur l'écran de carburant.

- Installez le bouchon du réservoir. Bien serrer.
- Nettoyez tout carburant renversé.
- Éloignez-vous d'au moins 30 pieds (9 mètres) de la zone de ravitaillement avant de redémarrer le moteur.

AVIS

Le carburant peut endommager la peinture et le plastique. Soyez prudent lorsque vous remplissez le réservoir de carburant. Les dommages causés par du carburant renversé ne sont pas couverts par la garantie.

AVIS

Nettoyez le filtre à tamis à carburant des débris avant et après chaque ravitaillement. Retirez le filtre à tamis à carburant en le comprimant légèrement tout en le retirant du réservoir de carburant.

FONCTIONNEMENT À HAUTE ALTITUDE

La puissance du moteur est réduite au fur et à mesure que vous situez au-dessus du niveau de la mer. La sortie sera réduite d'environ de 3,5 % pour chaque tranche de 1 000 pieds (305 mètres) d'augmentation d'altitude par rapport au niveau de la mer.

Un réglage haute altitude est nécessaire pour un fonctionnement à des altitudes supérieures à 5 000 pieds (1 524 m). Un fonctionnement sans ce réglage entraînera une diminution des performances, une augmentation de la consommation de carburant et une augmentation des émissions.

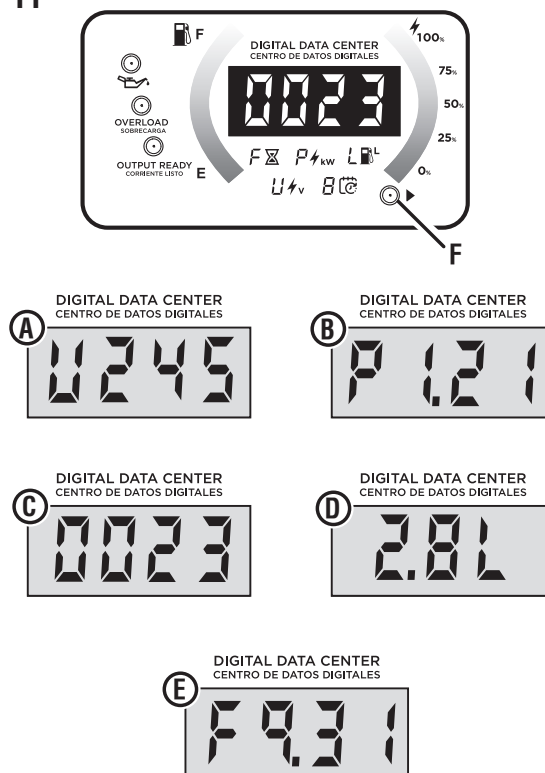
AVIS

NE PAS faire fonctionner le générateur à des altitudes inférieures à 2 000 pieds (762 m) avec le kit haute altitude installé. Des dommages au moteur peuvent survenir.

Kit de carburateur haute altitude

Numéro d'article 518921-01

FIG. 11



- A - Tension
- B - Puissance de sortie
- C - Heure d'utilisation
- D - Niveau de carburant
- E - Durée de fonctionnement/rappel d'entretien
- F - Bouton Mode

CENTRE DE DONNÉES

Voir la figure 11.

Appuyez sur le bouton de mode pour faire défiler les modes d'affichage des données.

Tension : Affiche la tension actuelle de sortie.

Fréquence (Hz) : Affiche la fréquence de sortie de puissance en Hertz.

Heures de durée de vie : Affiche les heures de fonctionnement de la durée de vie.

Niveau de carburant : Indique la quantité d'essence restant dans le réservoir de carburant.

Durée de fonctionnement/maintenance : Affiche la durée de fonctionnement actuelle. Remise à zéro à l'arrêt. Rappel de maintenance affiché si nécessaire.

Codes d'entretien :

P25 – Changer l'huile moteur

P50 – Nettoyer le filtre à air, changer l'huile moteur

P100 – Changer l'huile moteur, nettoyer le filtre à air, remplacer le filtre à carburant

FONCTIONNEMENT

PÉRIODE DE RODAGE

Pour un bon rodage, ne dépassez pas 50 % la puissance nominale de fonctionnement pendant les cinq premières heures de fonctionnement.

Utilisez l'huile fournie jusqu'au premier changement d'huile recommandé. Ne pas utiliser d'huile entièrement synthétique pendant la période de rodage. Une huile entièrement synthétique peut empêcher une rupture et une assise correctes des segments de piston.

Variiez la charge de temps en temps pour permettre aux enroulements du stator de chauffer et de refroidir et aider à asseoir les segments de piston.

AVANT DE DÉMARRER LE GÉNÉRATEUR

Vérifier que:

- Le groupe électrogène est placé dans un endroit sûr et approprié.
- Le générateur est sur une surface sèche, plane et horizontale.
- Les niveaux d'huile et de carburant se situent dans la plage de fonctionnement sécuritaire.
- Toutes les charges sont déconnectées des prises du panneau de commande.
- Le commutateur de mode ECO est en position ON.

⚠ DANGER

Risque d'incendie et d'explosion. NE PAS déplacer ou incliner le générateur pendant le fonctionnement.

DÉMARRAGE DU GÉNÉRATEUR

Voir les figures 12 et 13.

- Placez le générateur dans un endroit sûr et approprié.
- Débranchez toutes les charges.
- Assurez-vous que le commutateur de mode ECO est en position OFF.
- Vérifier les niveaux d'huile et de carburant. Si nécessaire, ajoutez du carburant ou de l'huile comme décrit précédemment.
- Placer l'interrupteur de contrôle du moteur/carburant en position marche (I).
- Saisissez fermement et tirez lentement la poignée de recul jusqu'à ce que vous sentiez une résistance accrue. À ce stade, éloignez rapidement la poignée de recul du générateur jusqu'à ce que le moteur démarre.

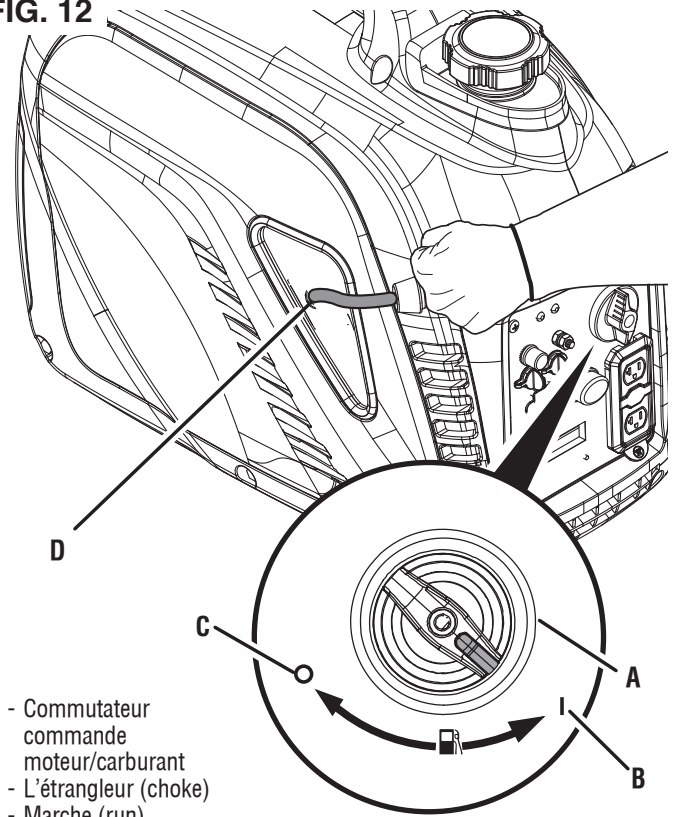
NOTE : Remettez doucement la poignée de recul en place après avoir démarré l'appareil. Ne le laissez pas revenir en arrière contre l'appareil. Lors du démarrage initial, des tractions supplémentaires peuvent être nécessaires pour amorcer la pompe à carburant.

- Lorsque la OUTPUT READY LED (led de sortie prête) s'allume, vous pouvez connecter en toute sécurité des charges aux prises du panneau de commande.

NOTE : Vérifiez que tous les appareils sont éteints avant de les connecter au générateur.

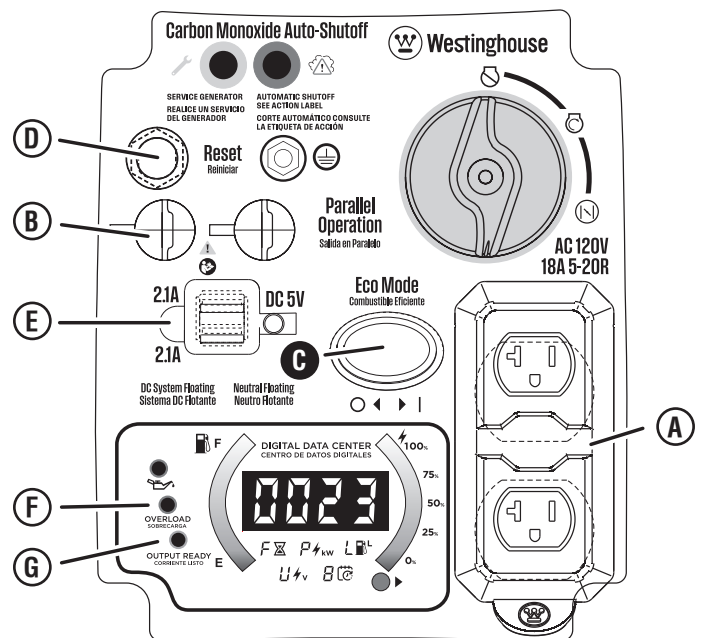
NOTE : Assurez-vous que les exigences de puissance pour tous les appareils connectés correspondent aux capacités de votre générateur.

FIG. 12



- A - Commutateur commande moteur/carburant
- B - L'étrangleur (choke)
- C - Marche (run)
- D - Essence DÉACTIVÉE (gasoline OFF)
- E - Arrêt (off)
- F - Tirer la poignée du lanceur-réenrouleur

FIG. 13



- A - Prises 120 V CA 18 A
- B - Prises de fonctionnement en parallèle
- C - Commutateur de mode ÉCO
- D - Bouton de réinitialisation
- E - Ports USB
- F - LED de surcharge (overload LED)
- G - LED de sortie prête (output ready LED)

FONCTIONNEMENT

- Connectez et démarrez le plus grand appareil ou dispositif.
- Laissez la sortie du générateur se stabiliser. Une fois stable, le moteur doit fonctionner correctement et l'appareil doit fonctionner correctement.
- Connectez et démarrez le prochain plus grand appareil ou dispositif.
- Laissez la sortie du générateur se stabiliser.
- Répétez ce processus pour chaque charge supplémentaire.

ARRÊT DU GÉNÉRATEUR

Voir les figures 12 et 13.

- Retirez toutes les charges connectées des prises du panneau de commande.
- Laissez le générateur fonctionner à « sans charge » pour réduire et stabiliser les températures du moteur et de l'alternateur.
- Mettez le commutateur de commande du moteur/carburant sur la position **OFF** (arrêt).

Pour arrêter rapidement l'unité en cas d'urgence :

- Mettez le commutateur de commande du moteur/carburant sur la position **OFF** (arrêt).

INDICATEUR DE BAS NIVEAU D'HUILE

Voir la figure 13.

Le LOW OIL LED (LED de bas niveau d'huile) sur le panneau de commande s'allume lorsque le niveau est bas ou qu'il n'y a plus d'huile. Le générateur ne démarre pas lorsque le voyant est allumé. Pour reprendre le fonctionnement normal, ajoutez de l'huile moteur comme décrit précédemment dans cette section. **N'essayez pas de lancer ou de démarrer le moteur avant qu'il n'ait été correctement entretenu avec l'huile recommandée.**

COMMUTATEUR DE MODE ÉCO

Voir la figure 13.

AVIS

Démarrez toujours le générateur avec le commutateur de mode ECO en position OFF. Laissez le régime moteur se stabiliser et la OUTPUT READY LED (led de sortie prête) s'allumer avant de mettre le commutateur de mode ECO en position ON.

AVIS

N'utilisez pas le mode ECO en cas de fonctionnement en parallèle avec un autre générateur à onduleur Westinghouse.

Le mode ECO minimise la consommation de carburant et le bruit en ajustant le régime moteur au minimum requis pour la charge actuelle.

Activez le mode ECO lorsque vous alimentez de petits appareils avec des charges continues comme un ordinateur ou une lumière électrique.

Désactivez le mode ECO lorsque vous alimentez des charges de surtension importantes telles qu'un climatiseur ou une pompe électrique.

Pour activer le mode ECO, vérifiez que la OUTPUT READY LED (led de sortie prête) est allumée, puis poussez l'interrupteur en position ON. Si aucune charge n'est présente, le régime du générateur chutera au ralenti. Le générateur détectera les charges lorsqu'elles sont appliquées et augmentera le régime moteur.

Pour faire fonctionner le générateur à la puissance et au régime maximum, poussez le commutateur de mode ECO sur la position OFF.

SURCHARGE RÉINITIALISER

Voir la figure 13.

Ne surchargez pas le générateur. Si le générateur approche ou a atteint une condition de surcharge, la LED de surcharge (overload LED) sur le panneau de commande s'allumera.

Si le générateur est proche de la surcharge, le LED de surcharge (overload LED) clignote. Éteignez et retirez un ou plusieurs appareils connectés pour diminuer la charge et reprendre le fonctionnement normal. Si la charge n'est pas réduite, l'unité atteindra une condition de surcharge. Pour prolonger la durée de vie du générateur, évitez de faire fonctionner l'unité près de sa capacité.

Si le générateur est surchargé ou s'il y a un court-circuit dans un appareil connecté, le LED de surcharge (overload LED) s'allume et l'unité se déconnecte automatiquement de la charge. Le moteur continuera de tourner, mais il n'y aura pas de sortie électrique.

Pour rétablir la sortie électrique après une surcharge :

- Retirez toutes les charges connectées des prises du panneau de commande.
- Appuyez sur le bouton RESET du panneau de commande jusqu'à ce que le LED de surcharge (overload LED) s'éteigne et que le LED de sortie prête (output ready LED) s'allume.
- Réinitialiser le(s) disjoncteur(s) s'il est activé.
- Vérifiez que les charges de fonctionnement et de surtension prévues ne dépassent pas la capacité du générateur.
- Reconnectez les charges électriques de manière séquentielle, permettant au générateur de se stabiliser après chaque connexion de charge.

FONCTIONNEMENT

PORTS USB

Voir la figure 13.

Utilisez les ports USB et les câbles USB (non inclus) pour charger des appareils compatibles USB tels que des téléphones, des tablettes et des haut-parleurs (jusqu'à 2,1 A).

NOTE : Les ports USB sont conçus pour le chargement uniquement et n'ont pas de capacité de transfert de données ou de communication.

FONCTIONNEMENT EN PARALLÈLE

Voir la figure 13.



AVERTISSEMENT

Risque d'incendie et d'électrocution. Ne jamais branchez ou ne débranchez les fils du cordon parallèle lorsqu'un générateur est en marche.



PRÉCAUTION

Une connexion correcte des câbles gauche et droit est très importante lorsque les générateurs sont utilisés avec un commutateur de transfert pour alimenter un bâtiment. Pour éviter des blessures graves ou des dommages aux appareils électriques, y compris les générateurs, n'essayez pas d'alimenter un système électrique dans un bâtiment sans utiliser un commutateur de transfert approuvé.

AVIS

La connexion à un générateur qui n'est pas compatible peut provoquer une sortie de basse tension qui peut endommager les outils et les appareils alimentés par le générateur.

Le fonctionnement en parallèle vous donne la possibilité de vous connecter à un générateur d'onduleur Westinghouse compatible pour un fonctionnement combiné et une puissance de pointe.

Un cordon parallèle ou un câble parallèle monté sur prise est nécessaire pour un fonctionnement en parallèle. Les cordons compatibles sont vendus séparément.

Reportez-vous au manuel d'utilisation fourni avec votre cordon parallèle ou votre câble parallèle monté sur prise pour les instructions d'installation et de fonctionnement.

TRANSPORT

- Éteignez le générateur.
- Laissez refroidir le groupe électrogène pendant au moins 30 minutes avant de le transporter.
- Remplacez tous les couvercles de protection sur le panneau de commande du générateur.
- Utilisez uniquement la poignée fixe du générateur pour soulever l'unité ou attacher des dispositifs de retenue de charge tels que des cordes ou des sangles d'arrimage. N'essayez PAS de soulever ou de fixer le groupe électrogène en tenant l'un de ses autres composants.
- Maintenez l'appareil à niveau pendant le transport afin de minimiser les risques de fuite de carburant ou, si possible, vidangez le carburant ou faites tourner le moteur jusqu'à ce que le réservoir de carburant soit vide avant le transport.



PRÉCAUTION

Risque d'incendie. NE PAS renverser le générateur ni le placer sur le côté. Le carburant ou l'huile peuvent fuir et endommager le générateur.

MAINTENANCE

AVERTISSEMENT Démarrage accidentel. Débranchez la gaine de la bougie (voir figure 18) de la bougie lors de l'entretien de la génératrice.

AVERTISSEMENT Remplacez les articles endommagés ou usés par des pièces de rechange recommandées ou équivalentes. L'utilisation d'une pièce incorrecte ou incompatible peut créer un danger pouvant entraîner des blessures graves.

AVERTISSEMENT Laissez les composants chauds refroidir pendant 30 minutes avant d'effectuer toute procédure de maintenance.

AVERTISSEMENT Éviter tout contact de la peau avec l'huile moteur ou l'essence. Porter des vêtements et un équipement de protection. Laver toute la peau exposée avec de l'eau et du savon. Un contact prolongé de la peau avec de l'essence ou de l'huile moteur peut provoquer une grave irritation de la peau et d'autres effets indésirables.

AVIS Vérifiez l'état physique du produit avant chaque utilisation. Recherchez les boulons desserrés, les fuites de liquide et autres signes d'usure. Remplacez tous les éléments endommagés. Pour des pièces de rechange ou de l'assistance, contactez notre service client.

Pour prolonger la durée de vie de ce produit, suivez les instructions d'entretien et de maintenance de cette section. Contactez le service client avant d'intervenir sur tout rappel ou pièce sous garantie.

NETTOYAGE DU GÉNÉRATEUR

Ne stockez pas et ne faites pas fonctionner votre groupe électrogène dans des environnements sales, poussiéreux ou corrosifs. Ne laissez pas de corps étrangers et de débris obstruer les événements de l'appareil.

NE JAMAIS nettoyer le générateur avec un tuyau d'arrosage. L'eau peut endommager le système de carburant et les composants électriques du générateur. Si l'appareil doit être nettoyé, utilisez une brosse douce et un chiffon humide pour nettoyer l'extérieur et utilisez de l'air à basse pression (pas plus de 25 psi) pour nettoyer les événements.

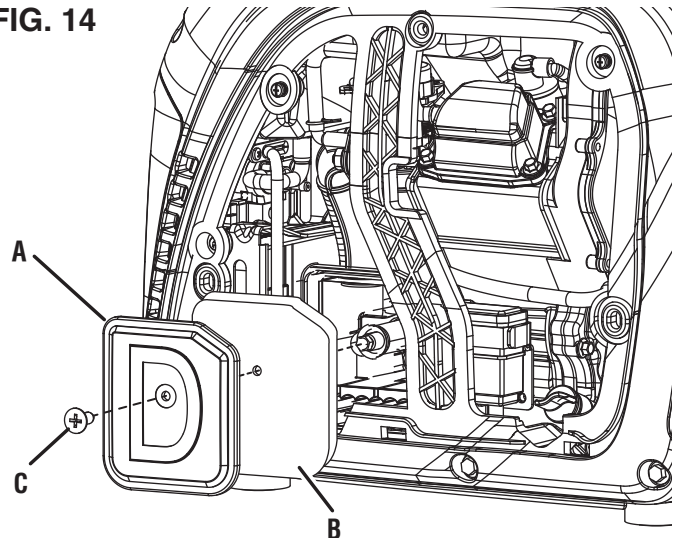
Ne jamais utilisez d'essence comme agent de nettoyage.

NETTOYAGE/REPLACEMENT DU FILTRE À AIR

Voir la figure 14.

Gardez le filtre à air propre. Un filtre à air sale peut entraîner de mauvaises performances et réduire la durée de vie du produit. **NE JAMAIS faire fonctionner le générateur sans filtre à air en place.**

FIG. 14



A - Couvercle du filtre à air

B - Filtre à air

C - Vis

- Éteignez le générateur et laissez le moteur refroidir pendant 30 minutes.
 - Desserrez les vis et retirez le couvercle de service du moteur.
 - Retirez la vis et le couvercle du filtre à air.
 - Retirez le filtre à air du boîtier du filtre à air et placez-le dans un récipient de nettoyage approprié. **Remplacez le filtre à air s'il est endommagé.**
- NOTE :** Le filtre à air peut être recouvert d'huile. Utilisez un contenant approprié.
- Lavez le filtre à air en l'immergeant dans une solution de détergent de ménage et d'eau tiède. Pressez lentement le filtre pour bien le nettoyer.

AVIS NE PAS tordre ou déchirer le filtre à air pendant le nettoyage ou le séchage. N'appliquez qu'une action de compression lente mais ferme.

- Rincez le filtre à air en le plongeant dans de l'eau douce et en exerçant une pression lente. Laissez le filtre sécher complètement.

AVIS Ne polluez pas. Suivez les directives de l'EPA ou d'autres agences gouvernementales pour l'élimination appropriée des matières dangereuses. Consulter les autorités locales ou l'installation de récupération.

- Trempez le filtre à air dans de l'huile moteur propre, puis essorez tout excès d'huile. Le moteur fume au démarrage s'il reste trop d'huile dans le filtre.
- Installez le filtre à air dans le boîtier du filtre à air et réinstallez le couvercle du filtre à air.
- Installez le couvercle d'entretien du moteur et tournez le bouton de verrouillage en position verrouillée pour le fixer.

MAINTENANCE

VIDANGE DE L'HUILE MOTEUR

Voir la figure 15.

Pour des performances optimales, changez l'huile moteur selon les chiffres spécifiés dans le **Programme d'entretien** ou le manuel du moteur (le cas échéant). Lorsque vous utilisez le groupe électrogène dans des conditions extrêmes, sales, poussiéreuses ou par temps extrêmement chaud, changez l'huile plus fréquemment.

NOTE : Vidanger l'huile lorsque le moteur est chaud mais pas brûlant. L'huile moteur chaude s'écoule plus rapidement et plus complètement que le lubrifiant froid. Le contact avec le lubrifiant chaud causera de graves brûlures.

- Éteignez le générateur et laissez le moteur refroidir pendant 30 minutes.
- Placez le générateur sur une surface plane dans un endroit bien aéré.
- Desserrez les vis et retirez le couvercle de service du moteur.
- Nettoyez la zone autour de la jauge d'huile.
- Dévisser et retirer lentement la jauge d'huile.
- Placez un bac à huile (ou un récipient approprié) sous l'orifice de remplissage/vidange d'huile.
- Incliner le générateur pour vidanger l'huile.
- Une fois l'huile complètement vidangée, placez le groupe électrogène en position verticale.
- Remplir d'huile comme décrit dans la section *Opérations*.
- Remplacer la jauge d'huile et serrer à la main.
- Nettoyez toute huile renversée.
- Installez le couvercle de service du moteur et vis. Serrez solidement.

NETTOYAGE/REPLACEMENT DE LA BOUGIE D'ALLUMAGE

Voir la figure 16.

AVIS

Utilisez **TOUJOURS** la bougie d'allumage Westinghouse OEM ou compatible sans résistance. L'utilisation d'une bougie d'allumage de type résistance peut entraîner un ralenti irrégulier, des ratés d'allumage ou empêcher le moteur de démarrer.

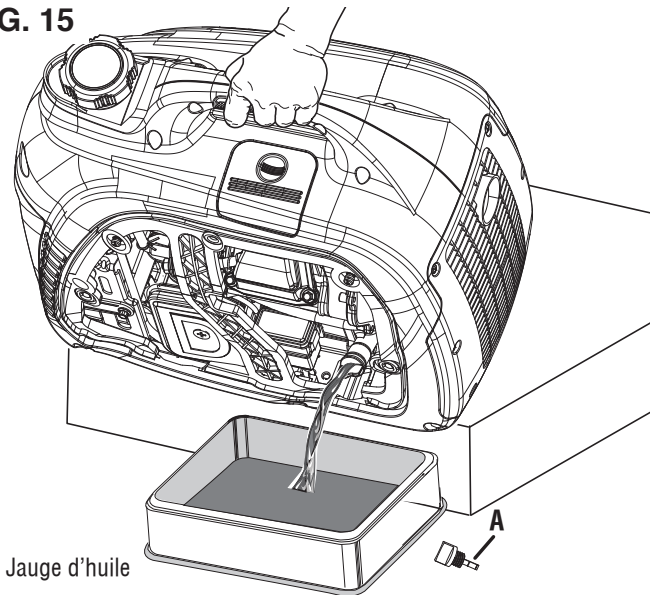
Assurez-vous que l'étincelle est propre et correctement écartée. Pour nettoyer ou remplacer votre bougie :

- Éteignez le générateur et laissez le moteur refroidir pendant 30 minutes.
- Placez le générateur sur une surface plane dans un endroit bien aéré.
- Soulevez le capot d'entretien de la bougie pour accéder à la zone de la bougie.
- Retirez le couvercle de la bougie en tirant fermement le soufflet directement loin du moteur.
- Nettoyez la zone autour de la bougie.
- Retirez la bougie d'allumage à l'aide de la clé à douille fournie.

AVIS

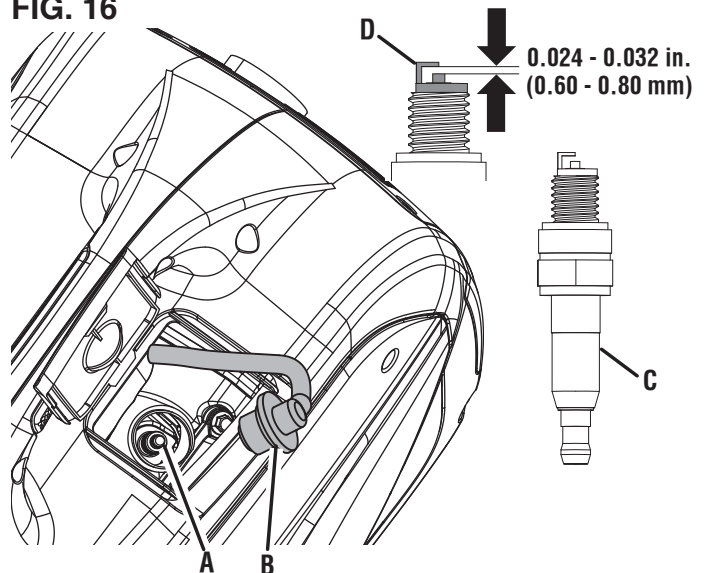
Ne jamais appliquez de charge latérale ou ne déplacez jamais la bougie d'allumage latéralement lors du retrait de la bougie d'allumage.

FIG. 15



A - Jauge d'huile

FIG. 16



A - Bougie
B - Couvercle de bougie
C - Isolateur
D - Électrode

- Inspectez la bougie d'allumage. Remplacez si les électrodes sont piquées, brûlées ou si l'isolant est fissuré. Utilisez uniquement une prise de rechange recommandée.
- Mesurer l'écartement des électrodes de la bougie avec une jauge d'épaisseur à fil. Si nécessaire, corrigez l'écart en pliant soigneusement l'électrode latérale.

Écartement des bougies : 0,024 à 0,032 po (0,60 à 0,80 mm)

- Installez soigneusement la bougie d'allumage en la serrant à la main, puis serrez de 3/8 à 1/2 tour supplémentaire avec la clé à bougie.
- Installez le couvercle de la bougie et fermez le capot d'entretien de la bougie.

MAINTENANCE

NETTOYAGE DU PARE-ÉTINCELLES

Voir la figure 17.

Vérifiez et nettoyez le pare-étincelles selon les chiffres spécifiés dans le **Programme d'entretien** ou le manuel du moteur (le cas échéant). Le non-nettoyage du pare-étincelles entraînera une dégradation des performances du moteur.

- Éteignez le générateur et laissez le moteur refroidir pendant 30 minutes.
- Placez le générateur sur une surface plane dans un endroit bien aéré.
- Retirez les vis et le couvercle du silencieux.
- Retirez la vis fixant le support du pare-étincelles.
- Retirez le pare-étincelles du générateur.
- Nettoyez délicatement l'écran et le pare-étincelles à l'aide d'une brosse métallique.
- Réinstallez le pare-étincelles, l'écran et le support. Bien serrer les vis.

VIDANGE DU RÉSERVOIR DE CARBURANT ET DU BOL À FLOTTEUR DU CARBURATEUR

Voir les figures 18 à 20.



AVERTISSEMENT

TOUJOURS entreposer l'essence dans un contenant approuvé pour l'essence. Les contenants non approuvés peuvent se briser ou se détériorer, ce qui permet à l'essence ou aux vapeurs d'essence de s'échapper, ce qui peut créer un grave danger.

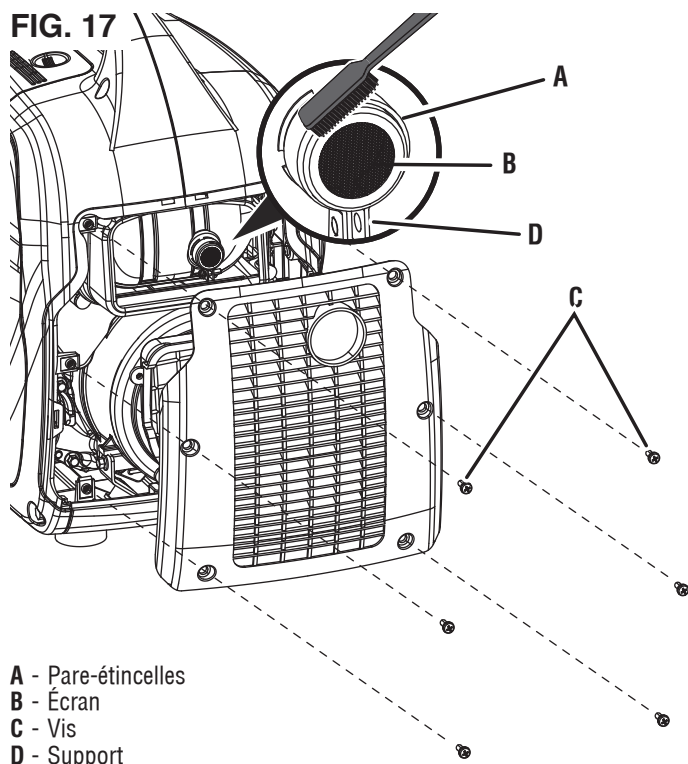
Même un carburant correctement stabilisé peut laisser des résidus et provoquer de la corrosion s'il est laissé à long terme. Si vous stockez le générateur pendant deux à six mois, vidangez la cuve du flotteur pour éviter l'accumulation de gomme et de vernis dans le carburateur. Si vous entreposez le groupe électrogène pendant plus de six mois, vidangez le réservoir de carburant pour éviter la séparation du carburant, la détérioration et les dépôts dans le système de carburant.

- Éteignez le générateur et laissez le moteur refroidir pendant 30 minutes.
- Placez le générateur sur une surface plane dans un endroit bien aéré.

Pour vidanger le bol à flotteur :

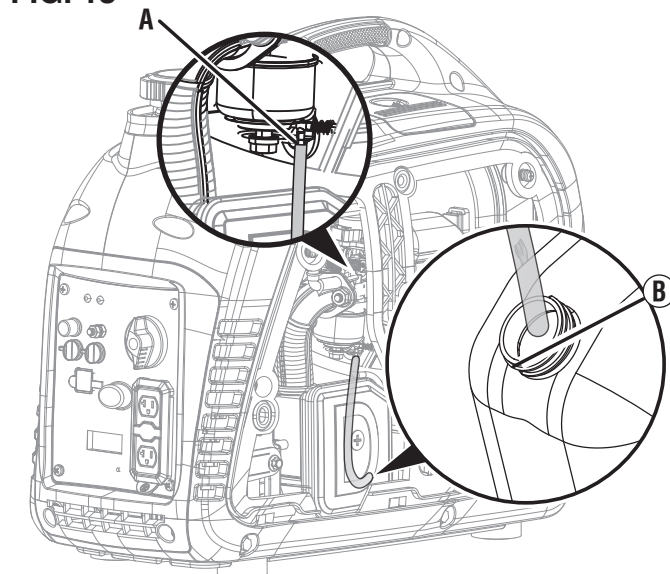
- Tournez le commutateur de commande du moteur/carburant à la position **GASOLINE OFF** (essence off).
- Desserrez les vis et retirez le couvercle d'entretien du moteur.
- Localisez la valve de vidange au fond de la cuvette du flotteur du carburateur.
- Fixez un tuyau de vidange sur la valve de vidange.
- Placez l'extrémité inférieure du tuyau à l'extérieur du générateur dans un bidon d'essence approuvé pour récupérer le carburant vidangé.
- Tournez la valve de vidange dans le sens antihoraire pour l'ouvrir.
- Fermez la valve de vidange en tournant dans le sens des aiguilles d'une montre lorsque la cuve du flotteur est vide. Installez le couvercle de service du moteur.

FIG. 17



- A - Pare-étincelles
- B - Écran
- C - Vis
- D - Support

FIG. 18



- A - Valve de drainage
- B - Tuyau de drainage

MAINTENANCE

Pour faire fonctionner le bol à flotteur à sec :

- Démarrer le générateur comme décrit précédemment.
- Une fois le moteur démarré, tournez le commutateur de commande du moteur/carburant sur la position **GASOLINE OFF** (essence off).
- Laissez le générateur fonctionner jusqu'à ce que le carburant dans le carburateur soit épuisé et que le moteur s'arrête.
- Mettez le commutateur de commande du moteur/carburant en position **OFF** (arrêt).

Pour vidanger le réservoir de carburant :

AVIS

Pour éviter d'endommager l'appareil, vidangez l'huile moteur avant de vider le réservoir de carburant. Voir **Vidange de l'huile moteur** pour plus de détails.

- Mettez le commutateur de commande du moteur/carburant en position **OFF** (arrêt).
- Nettoyez la zone autour du bouchon de carburant et retirez le bouchon lentement.
- Retirez le filtre à tamis à carburant en le comprimant légèrement tout en le retirant du réservoir.
- À l'aide d'une pompe manuelle à essence disponible dans le commerce (non incluse), siphonnez l'essence du réservoir de carburant dans un bidon d'essence approuvé. **NE PAS** utiliser de pompe électrique.

NOTE : Le réservoir de carburant peut également être vidangé à l'aide de la vis de vidange du carburateur et du tuyau de vidange comme décrit précédemment. Maintenez l'interrupteur de commande du moteur/carburant en position **OFF** (arrêt) pour permettre au carburant de s'écouler du réservoir à travers le carburateur.

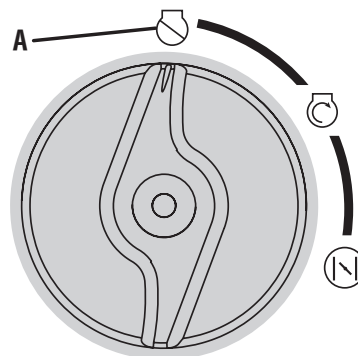
REPLACEMENT DU FILTRE À CARBURANT

Voir la figure 21.

Au fil du temps, le filtre à carburant peut devenir sale ou obstrué. Pour réduire le risque de panne du moteur, remplacez le filtre à carburant selon les chiffres spécifiés dans le **Programme d'entretien** ou le manuel du moteur (le cas échéant).

- Éteignez le générateur et laissez le moteur refroidir pendant 30 minutes.
- Vidanger le réservoir de carburant comme décrit précédemment.
- Retirez les vis fixant le panneau de commande.
- Retirez le panneau de commande.
- Localisez le filtre à carburant et notez l'orientation du filtre.
- À l'aide de pinces, serrez les clips de conduite de carburant et faites glisser les conduites de carburant loin du filtre.
- Installez les conduites de carburant sur le nouveau filtre. Assurez-vous que le filtre à carburant est correctement orienté.
- Desserrez les vis et retirez le couvercle de service du moteur.

FIG. 19



A - Essence OFF

FIG. 20

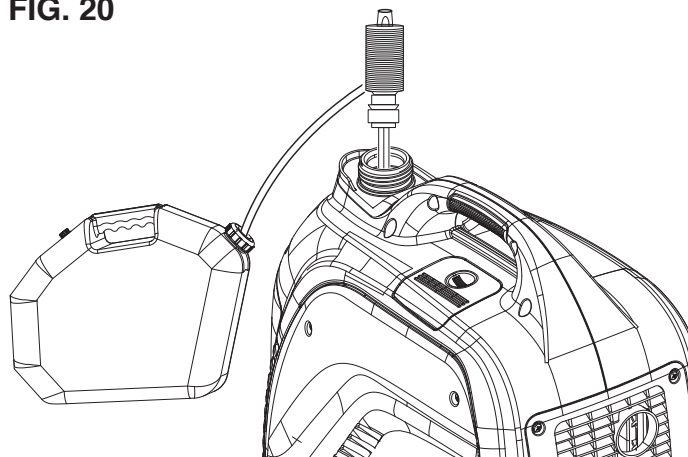
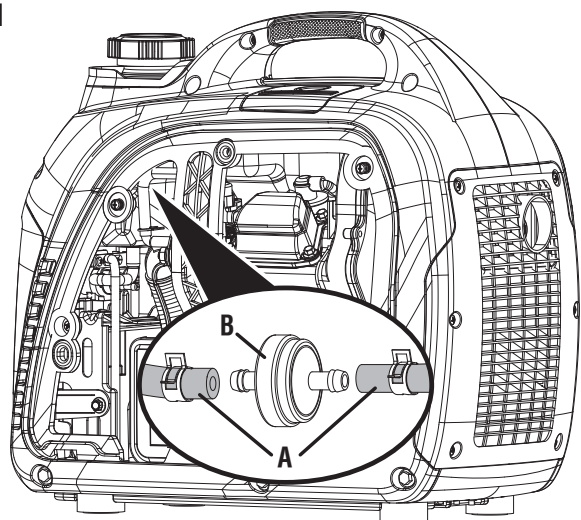


FIG. 21



A - Conduite de carburant
B - Filtre à carburant

MAINTENANCE

CONTRÔLE/RÉGLAGE DU JEU AUX SOUPAPES

Voir les figures 22 et 23.

AVIS

La vérification et le réglage du jeu des soupapes doivent être effectués lorsque le moteur est froid

- Éteignez le générateur et laissez le moteur refroidir pendant 30 minutes.
- Placez le générateur sur une surface plane dans un endroit bien aéré.
- Déposer le cache culbuteurs et retirer délicatement le joint. Si le joint est déchiré ou endommagé, il doit être remplacé.
- Retirez la bougie d'allumage pour que le moteur puisse tourner plus facilement.
- Tirez sur la poignée du lanceur-réenrouleur pour faire tourner le moteur au point mort haut (PMH). Regarder à travers le trou de la bougie d'allumage ; le piston doit être en haut (les deux soupapes sont fermées).
- Les deux culbuteurs doivent être desserrés au PMH sur la course de compression. Si ce n'est pas le cas, faites tourner le moteur à 360°.
- Insérez une jauge d'épaisseur entre le culbuteur et la tige de soupape pour mesurer le jeu de soupape.

	Soupape d'admission	Soupape d'échappement
Jeu des soupapes	0,0031 – 0,0047 po (0,08 – 0,12 mm)	0,0051 – 0,0067 po (0,13 – 0,17 mm)
Couple	8-12 Nm	8-12 Nm

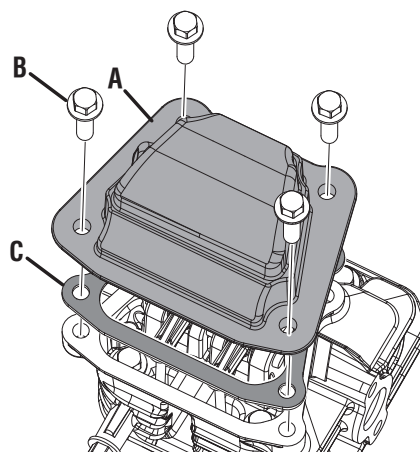
- Si un réglage est nécessaire, desserrez le contre-écrou.
- Glisser la jauge d'épaisseur appropriée entre le culbuteur et la tige de soupape.
- Serrez la vis de réglage sur la tige de poussée pour obtenir le jeu spécifié.

NOTE : Vous devriez pouvoir sentir le culbuteur toucher la jauge d'épaisseur.

- Maintenez la vis de réglage en place et serrez l'écrou.
- Couple : 106 pouces-livres (12 Nm)**

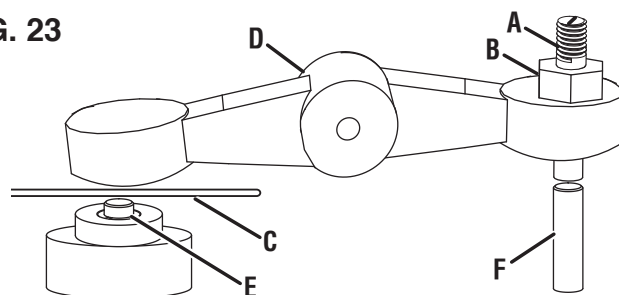
- Revérifiez le jeu des soupapes.
- Si aucun réglage supplémentaire n'est nécessaire, effectuez cette procédure sur l'autre vanne.
- Lorsque vous avez terminé, installez le joint, le couvercle du culbuteur et la bougie.

FIG. 22



- A - Couvercle de culbuteur
- B - Boulon
- C - Joint

FIG. 23



- A - Vis de réglage
- B - Contre-écrou
- C - Jauge d'épaisseur
- D - Culbuteur
- E - Tige de soupape
- F - Tige de poussée

MAINTENANCE

ENTREPOSAGE

Éteignez l'appareil et laissez-le refroidir pendant au moins 30 minutes avant de le ranger. Maintenez l'appareil en position verticale. Ne stockez pas le générateur sur le côté. Vidanger le carburant avant de ranger l'appareil. Stockez l'appareil et le carburant séparément dans des zones bien ventilées, à l'écart des étincelles, des flammes nues, des veilleuses, de la chaleur et d'autres sources d'inflammation.

AVIS

L'essence stockée pendant aussi peu que 30 jours peut se détériorer, provoquant une accumulation de gomme, de vernis et de corrosion dans les conduites de carburant, les passages de carburant et le moteur. Cette accumulation corrosive limite le débit de carburant, ce qui peut empêcher le démarrage du moteur après une période de stockage prolongée. L'utilisation d'un stabilisateur de carburant augmente considérablement la durée de stockage de l'essence. L'utilisation à plein temps du stabilisateur de carburant est recommandée. Suivez les instructions d'utilisation du fabricant.

TEMPS DE STOCKAGE	PROCÉDURE RECOMMANDÉE
Moins de 1 mois	Remplacez tous les couvercles de protection sur le panneau de commande du générateur. Nettoyez l'extérieur du générateur et retirez tous les débris des événements de refroidissement du silencieux.
2 à 6 mois	Remplacez tous les couvercles de protection sur le panneau de commande du générateur. Nettoyez l'extérieur du générateur et retirez tous les débris des événements de refroidissement du silencieux. Vidanger la cuve du flotteur du carburateur. (Conservez l'essence dans un bidon d'essence approuvé ou jetez-la conformément aux réglementations nationales et locales.)
6 mois ou plus	Remplacez tous les couvercles de protection sur le panneau de commande du générateur. Nettoyez l'extérieur du générateur et retirez tous les débris des événements de refroidissement du silencieux. Vidangez la cuvette du carburateur et le réservoir de carburant. (Conservez l'essence dans un bidon d'essence approuvé ou jetez-la conformément aux réglementations nationales et locales.) Mettez une cuillère à soupe d'huile moteur dans le cylindre de la bougie. Tirez doucement sur la poignée du lanceur-réenrouleur pour faire tourner lentement le moteur et répartir le lubrifiant. Réinstallez la bougie. Changez l'huile moteur.

PROGRAMME D'ENTRETIEN

Un entretien régulier améliorera les performances et prolongera la durée de vie du générateur. Suivez les intervalles horaires ou calendaires, selon la première éventualité. Un entretien plus fréquent est nécessaire en cas de fonctionnement dans des conditions défavorables, comme indiqué ci-dessous.

NOTE : Si votre produit a un manuel du moteur séparé, ne tenez pas compte des informations contenues dans ce tableau et suivez les instructions du manuel du moteur.

	Avant de chaque utilisation	Après les premières 25 heures ou le premier mois	Après 50 heures ou tous les six mois	Après 100 heures ou tous les six mois	Après 300 heures ou tous les ans
Vérifier l'huile moteur	X				
Changer l'huile moteur ¹		X	X		
Nettoyer le filtre à air ²			X		
Inspecter/nettoyer le pare-étincelles				X	
Inspecter/nettoyer la bougie				X	
Inspecter/régler le jeu des soupapes ³				X	
Remplacer bougie d'allumage					X
Remplacer filtre à air					X
Remplacer le filtre à carburant				X	

¹ Changer l'huile tous les mois lors d'un fonctionnement sous forte charge ou à des températures élevées.

² Nettoyez plus souvent dans des conditions sales ou poussiéreuses. Remplacez le filtre à air s'il ne peut pas être correctement nettoyé.


³ Recommandez que l'entretien soit effectué par un revendeur agréé Westinghouse.

DÉPANNAGE

PROBLÈME	POSSIBLE CAUSE	CORRECTION
Le moteur démarre, puis s'arrête	Le niveau de carburant est faible ou épuisé.	Faites le plein.
	Niveau d'huile moteur incorrect.	Vérifiez le niveau d'huile moteur.
	Filtre à air sale.	Nettoyez le filtre à air.
	Essence contaminée.	Videz le réservoir de carburant. Faites le plein d'essence fraîche.
	Interrupteur défectueux à faible niveau d'huile.	Communiquez avec le service à la clientèle de Westinghouse au numéro sans frais 1 (855) 944-3571.
Le moteur manque de puissance	Filtre à air restreint.	Nettoyez ou remplacez le filtre à air.
	Essence rassis, génératrice entreposée sans traitement ni vidange d'essence, ou ravitaillée en essence de mauvaise qualité.	Videz le réservoir de carburant. Faites le plein d'essence fraîche.
	Dysfonctionnement du système d'alimentation en carburant, dysfonctionnement de l'allumage, robinets coincés, etc.	Communiquez avec le service à la clientèle de Westinghouse au numéro sans frais 1 (855) 944-3571.
Le moteur ne démarre pas	Panne sèche	Faites le plein.
	Essence rassis, génératrice entreposée sans traitement ni vidange d'essence, ou ravitaillée en essence de mauvaise qualité.	Videz le réservoir d'essence. Faites le plein d'essence fraîche.
	Filtre à air sale.	Nettoyez le filtre à air.
	Générateur à faible niveau d'huile moteur arrêté.	Si LE VOYANT À FAIBLE TENEUR EN HUILE s'allume, tournez l'interrupteur de commande moteur/carburant à la position OFF (arrêt). Ajouter de l'huile moteur.
	Bougie d'allumage mouillée avec du carburant (moteur inondé).	Attendez cinq minutes. Tournez l'interrupteur de commande moteur/carburant à la position OFF (arrêt). Tirez la poignée du lanceur-réenrouleur rapidement plusieurs fois. Si le générateur ne démarre pas, retirez la bougie d'allumage et séchez.
	Bougie d'allumage défectueuse, encrassée ou mal entaillé.	Écartez ou remplacez la bougie d'allumage. Réinstallez.
	Dysfonctionnement du système d'alimentation en carburant, dysfonctionnement de l'allumage, robinets coincés, etc.	Communiquez avec le service à la clientèle de Westinghouse au numéro sans frais 1 (855) 944-3571.
	Capteur de CO retiré ou modifié.	Revenez à la configuration d'origine.
	Le capteur de CO a été activé ou un défaut du système s'est produit.	Déménager la génératrice / Contactez le service à la clientèle de Westinghouse sans frais au 1 (855) 944-3571.
Le moteur fonctionne mal ou les tourbières lorsque la charge est appliquée	Filtre à air sale.	Nettoyez le filtre à air.
	Générateur surchargé.	Débranchez certains appareils.
	Outil ou appareil électrique défectueux.	Remplacer ou réparer un outil ou un appareil. Arrêtez et redémarrez le moteur.
	Dysfonctionnement du système d'alimentation en carburant, dysfonctionnement de l'allumage, robinets coincés, etc.	Communiquez avec le service à la clientèle de Westinghouse au numéro sans frais 1 (855) 944-3571.
Pas d'alimentation aux récipients à courant alternatif	Le VOYANT PRÊT POUR LA SORTIE est ÉTEINT et le VOYANT DE SURCHARGE est allumé.	Vérifiez la charge c.a. Arrêtez et redémarrez le moteur. Vérifiez l'entrée d'air. Arrêtez et redémarrez le moteur.
	Disjoncteur/s CA s'est déclenché.	Vérifiez les charges c.a. et réinitialisez les disjoncteurs/s.
	Outil ou appareil électrique défectueux.	Remplacer ou réparer un outil ou un appareil. Arrêtez et redémarrez le moteur.
	Générateur défectueux.	Communiquez avec le service à la clientèle de Westinghouse au numéro sans frais 1 (855) 944-3571.



www.WestinghouseOutdoorPower.com
Service Hotline (855) 944-3571
777 Manor Park Drive, Columbus, OH 43228

 and Westinghouse are trademarks of Westinghouse Electric Corporation.
Used under license by Westinghouse Outdoor Power Equipment.
© 2023 MWE Investments, LLC All Rights Reserved.