

# ≡COFLOW

## 100 W Rigid Solar Panel

**Contact Us:**  
[ecoflow.com](http://ecoflow.com)

**NA/LA/APAC/MEA:** [support@ecoflow.com](mailto:support@ecoflow.com)

**EU:** [support.eu@ecoflow.com](mailto:support.eu@ecoflow.com)

**AU:** [support.au@ecoflow.com](mailto:support.au@ecoflow.com)



<b>1 Purpose</b>	<b>1</b>
<b>2 Disclaimer</b>	<b>1</b>
<b>3 General Safety Information</b>	<b>1</b>
<b>4 Safety Precautions</b>	<b>2</b>
<b>5 Installation Procedure and Precautions</b>	
5.1 Unpacking and Precautions	2
5.2 Pre-Installation Requirements	3
5.3 Installation Precautions	4
5.4 Bolt Installation	6
<b>6 Commissioning and Troubleshooting</b>	<b>9</b>
<b>7 Product Specifications</b>	<b>9</b>
<b>8 FAQs</b>	<b>10</b>
<b>9 Maintenance</b>	<b>11</b>

## 1. Purpose

This manual contains information about the solar energy components and their installation. Please make sure you read and fully understand this manual before purchasing and installing the panels to ensure that you use them correctly. Any incorrect usage may result in severe injury to the user or others, damage to the product or loss of property. If you have any questions, please do not hesitate to contact us for further clarification and explanation. When installing modules, installers should follow all safety precautions specified in this manual and any local regulations. Before installing solar photovoltaic systems, installers should be familiar with the mechanical and electrical requirements of such systems. After reading this manual, keep it in a safe place for future reference on service and maintenance information. This document applies to the following solar module series: EF-SG-M100

## 2. Disclaimer

As the use of this manual as well as the conditions or methods for the installation, operation, use and maintenance of photovoltaic (PV) products may exceed the control of EcoFlow, EcoFlow assumes no responsibility for such non-standard installations and operations, and expressly disclaims any loss, damage, and maintenance requirements arising therefrom or in any way related thereto.

EcoFlow shall not be liable for any infringement of third-party patents or other rights that may result from the adoption of the installation methods, accessories, etc. that are not provided by our company during installation and use.

The product information and installation examples in this manual are provided based on EcoFlow's and our partners' relevant knowledge and experience and are considered to be reliable; however, the restrictions and recommendations in such information, including product specifications, do not constitute any express or implied warranty.

Before using the product, please read the User Manual and the disclaimer of liability for this product carefully.

Once you use this product, it will be deemed that you have understood, acknowledged and accepted all the terms and contents of this document, and the user shall be responsible for their actions and all consequences arising therefrom. EcoFlow hereby disclaims any liability for any losses due to the user's failure to use the product according to the User Manual.

In compliance with laws and regulations, the company shall have the final right to interpret this document and all related documents for this product. Any update, revision or termination of the contents thereof, if necessary, shall be made without prior notice, and users may visit the official website of EcoFlow for the latest information on the product.

## 3. General Safety Information

Solar photovoltaic systems must only be installed by qualified personnel with relevant professional skills and knowledge. All solar modules are equipped with a permanently connected junction box and 2.5 mm<sup>2</sup> (0.004 in<sup>2</sup>) wires. Installers shall bear all risk of injury that may occur during installation, including, but not limited to, the risk of electric shock.

When exposed to direct sunlight, a single module may generate DC voltages greater than 24 V. Exposure to DC voltages of 24 V or higher is potentially dangerous. Arcing may occur when disconnecting wires that are connected to the PV components exposed to sunlight. Such arcing may cause burns or a fire. Please operate with special care, otherwise it may give rise to further issues. It is therefore important to protect yourself from electricity!

The solar modules convert solar energy into DC electricity, and they are designed for outdoor use. Modules can be mounted on top of a fixed outdoor object, and the system designer and installer shall be responsible for the compliance of the design of their supporting structure.

Do not attempt to disassemble the module, or remove any attached nameplates or components.

Do not apply paint, adhesives or substances that block the battery cell from light to the light-receiving surface of the module.

Do not expose the surface of the module to amplified sunlight that is artificially centralized.

When installing systems, please observe all local, regional and national laws and statutory regulations. When installing them on a vehicle or vessel, please observe relevant local and national laws and regulations.

## 4. Safety Precautions

When light shines on the light-receiving surface of the solar module, the solar module will generate DC electricity with a voltage of over 24 V. If modules are connected in series, the total voltage is equal to the sum of the voltage of each module. If modules are connected in parallel, the total current is equal to the sum of the current of each module.

When transporting and installing any mechanical and electrical components, please take care to keep children away from the system and installation site.

It is recommended that the light-receiving surface of the module be completely covered with opaque material during installation and that the positive and negative terminals be disconnected in order to prevent issues arising from power generation.

When installing or troubleshooting for a PV system, do not wear metal rings, straps, earrings, nose rings, lip rings or other metal devices, and only use insulated tools approved for electrical installation.

Please comply with safety instructions for all other components utilized in the system, including cables, connectors, controllers, charge regulators, inverters, batteries and other rechargeable batteries, etc.

Use only the relevant equipment, connectors, wiring and brackets applicable to the installation of this solar module system. Always use modules of the same type in a particular PV system. Bypass diodes have been integrated into the junction box for all modules.

For any single module or combination of more than one module connected in series or parallel, the cross-sectional area of the cable and the capacity of the connector must suit the maximum system short-circuit current, otherwise the cable and connector will overheat at high currents.

DC fuses must be appropriate for the module's overcurrent protection rating.

Under normal outdoor conditions, the currents and voltages generated by the module will be different from those listed in the data sheet, depending on the weather and ambient temperature. Data specified on the nameplate are expected values under standard test conditions (STC).

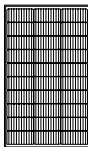
## 5. Installation Procedure and Precautions

Obtain information on any requirements and pre-approvals for the site, installation and inspection from the relevant authorities prior to installation.

**When installing the product on the roof of a vehicle, ensure that the roof is protected against fire:** The installation site should be free of flammable materials. The solar panel's positive and negative terminals should be fully disconnected before installation. Only use approved insulated tools for electrical installation.

### 5.1 Unpacking and Precautions

Carefully unpack the solar panel and ensure that all instructions on the package are followed. The contents are listed as follows:



Solar Panel



User Manual and  
Warranty Card

**Note:**

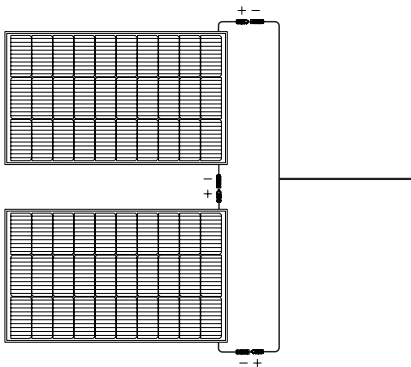
1. Do not step, walk, stand or jump on any module, as uneven stresses may impact the micro cracks on battery cell, and ultimately the module's reliability and user experience.
2. Do not use a sharp tool to score, cut, slice, or slash the module, especially the back plate.
3. Keep all electrical contacts and connectors clean and dry.

## 5.2 Pre-Installation Requirements

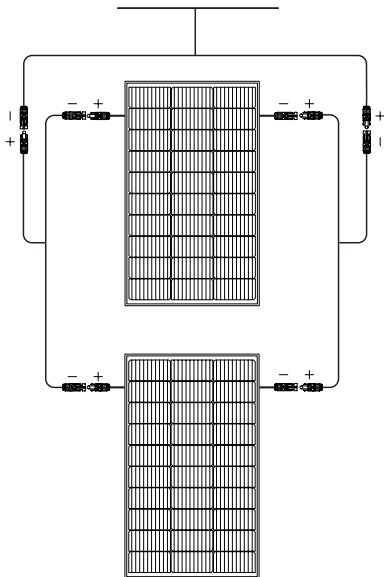
Ensure that modules comply with general system technical requirements and that other system components will not damage the modules mechanically or electrically.

Modules can be connected in series to increase voltage or in parallel to increase current. In a series connection, the positive terminal of one module is transferred to the negative terminal of the second module. In a parallel connection, the positive terminals of one module and the second module are connected, so are their negative terminals.

**A series connection is shown in the diagram:**



A parallel connection is shown in the diagram:



**It is recommended that modules with the same electrical output be connected in the same series to prevent mismatching from creating a 1+1<2 effect;**

Do not block the drain hole at the bottom of the module (refer to the diagram below).

Avoid shade, as even a small amount of shade will reduce power output; ensure that the sun will be able to shine on the module even on the shortest day of the year;

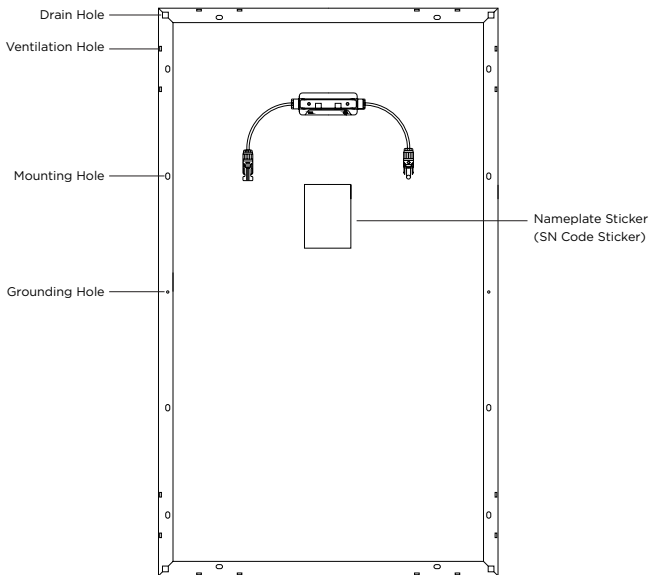
To generate the most electricity, the module should face directly south if it is in the Northern Hemisphere and face directly north if it is in the Southern Hemisphere. For details on the best elevation angle for the installation, refer to the standard PV installation guide of your locality or the installation angle requirements of a well-known solar installer or system integrator.

## 5.3 Installation Precautions

**All the following installation methods are for reference only, and related installation accessories need to be purchased separately. Any system installer should ensure that the installation adheres to all specifications while working.**

The module must be mounted using the mounting holes reserved in the frame of the solar module [12 holes, L\*W: 11 × 7 mm (0.4 × 0.3 in)]. The most common installation method is to install the module using the four symmetrical holes close to the center of the frame.

As shown below:



**Note:**

1. The holes at the center of each long edge are used for grounding.
2. Modules should be securely mounted to withstand all expected loads, including wind and snow loads.
3. The gap between modules should be 12.7 mm (0.5 in) or larger.

**Each module has two labels that provide the following information:**

**NameplateSticker:** Provides information on the product type, and the electrical parameters, weight, dimensions, etc., measured under standard test conditions.

**SN Code Sticker:** Each module has a unique serial number.

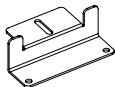
**Note: Do not remove any labels from the solar panel; removal of any labels voids the product warranty policy from EcoFlow.**



## 5.4 Bolt Installation

Installation requires the use of a special bolt kit (purchased separately), which includes the following items:

Four z-shaped brackets, four M6 hex bolts (with nuts), four M6 large washers, four M6 flat washers, four M6 spring washers, and eight hex self-drilling screws [5.5\*38 mm (0.2\*1.5 in)]



Z-shaped  
bracket x4



Hex Bolt (with Nut) x4



M6 Large  
Washer x4



M6 Flat  
Washer x4



M6 Spring  
Washer x4

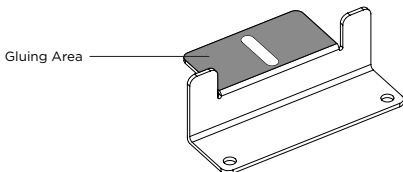


Hex Self-Drilling  
Screw x8

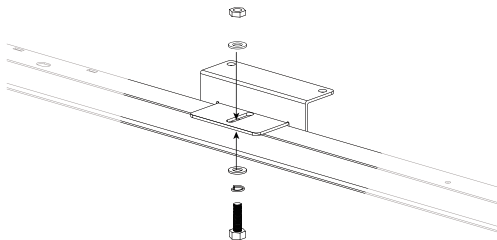
- a. You must use the M6 stainless steel bolt, nut and washer, as well as the mounting hole on the rear side of the module's frame.
- b. Use suitable corrosion-resistant material for fastening, which should be made from stainless steel.
- c. Do not drill holes in or modify the module's frame as this will void the warranty.
- d. Each module must be securely mounted at four or more points in opposite directions.
- e. When installing on the roof or body of a vehicle, be sure to leave a gap between the solar panel and the roof or body to facilitate airflow and heat dissipation.

The steps are as follows:

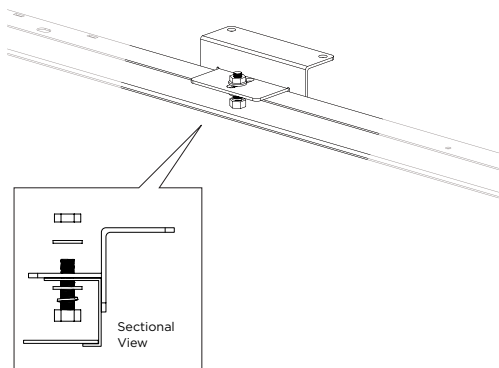
1. Use a manual glue gun to apply the structural adhesive to the corresponding area (the surface contacting with the frame) of the z-shaped bracket.



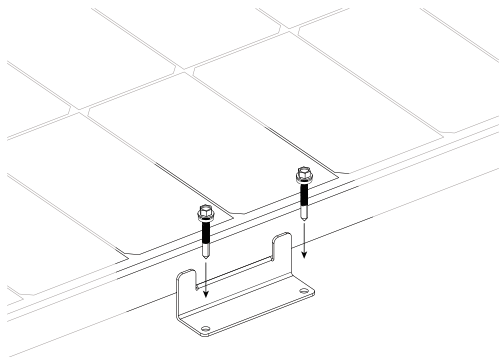
- Place the z-shaped bracket in the corresponding position and install the M6 hex bolt, M6 flat washer and M6 spring washer.



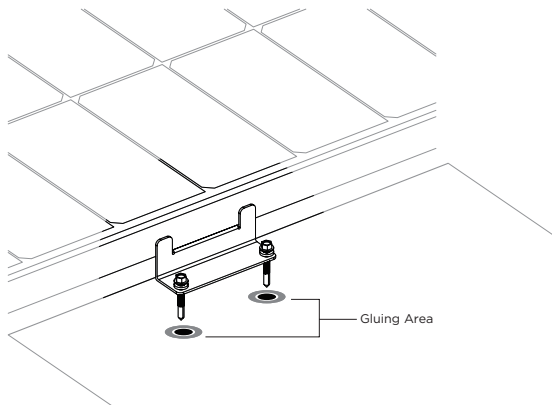
- Then place the large washer, and tighten the nut.



- Place the solar panel with the z-shaped bracket on the roof in the position for installation, and drill holes on the roof in the corresponding position of the hole on the pedestal of the z-shaped bracket.



- Clean the holes and apply adhesive (be sure to apply the structural adhesive around the hole).



- After matching the pedestal of the z-shaped bracket with the holes in the roof, install the hex self-drilling screw [5.5\*38 mm (0.2\*1.5 in), with plastic ring], leave them standing for  $\geq 24$  h, and wait for the structural adhesive to cure [ambient temperature  $\leq 30^{\circ}\text{C}$  ( $86^{\circ}\text{F}$ ), humidity  $\leq 70\%$  RH].
- After the structural adhesive has cured, remove the excessive adhesive on the pedestal and roof. Install more solar panels and connect them in series or parallel as necessary.

## 6. Commissioning and Troubleshooting

**EcoFlow recommends that all commissioning and maintenance of the solar module system be carried out by qualified PV technicians!**

Test connected modules before connecting them to the system; always test all electrical and electronic components of the system before commissioning the system, and always follow the instructions supplied together with each part and piece of equipment.

To test the electrical performance of the module, the module is generally exposed to sunlight and must not be connected to a load. Pay attention to your personal safety when taking these measurements.

Should abnormal power generation occur, troubleshoot the issue by following the steps below:

- Check all wiring to ensure that there are no open circuits or poor connections.
- Check the open circuit voltage of each module.
- Check the open circuit voltage with the module completely covered with opaque material; then remove the opaque material and measure the open circuit voltage at its terminals and compare.

If the voltage between the terminals differs by more than 5% from the nominal value at an irradiance of  $\geq 700 \text{ W/m}^2$  ( $65.0 \text{ W/ft}^2$ ), this indicates a poor electrical connection.

## 7. Product Specifications

### 100W Rigid Solar Panel

**Rated Power:** 100 W (+/-5 W)

**Open Circuit Voltage:** 20.3 V

**Short Circuit Current:** 6.3 A

**Maximum Operating Voltage:** 17.1 V

**Maximum Operating Current:** 5.9 A

**Temperature Coefficient of Rated Power:** -0.39%/°C

**Temperature Coefficient of Open Circuit Voltage:**  
-0.33%/°C

**Temperature Coefficient of Short Circuit Current:**  
0.06%/°C

**Maximum System Voltage:** 600 VDC (UL)

**Maximum Fuse Current:** 15 A

### General

**Solar Panel Weight:** Approx. 6.2 kg (13.7 lbs)

**Dimensions:** 98\*58.6\*3 cm (38.6\*23.1\*1.2 in)

### Testing and Certification



\*Standard Test Conditions: 1,000 W/m<sup>2</sup> (92.9 W/ft<sup>2</sup>), AM1.5, 25°C

## Temperature Coefficient Specifications

Temperature Coefficient of Power	-(0.39+/-0.02)%/k
Temperature Coefficient of Voltage	-(0.33+/-0.03)%/k
Temperature Coefficient of Current	+(0.06+/-0.015)%/k

## 8. FAQs

### Why does the 100 W Solar Panel fail to deliver as much as stated when in actual use?

In most cases, it is normal for a solar panel to not deliver its full nominal power. Some of the reasons why this happens, as well as some suggestions for getting closer to the nominal power figure, are given below.

1. **Light Intensity.** The amount of light shining on the panel will result in fluctuations to the power output. You are more likely to achieve nominal power output figures closer to those obtained under test conditions when using the product on a clear day during the midday sun, than when using the product in the morning or later in the afternoon. Weather conditions will also affect the amount of sunlight that shines on the panel. For example, you are much less likely to achieve the figures for nominal power in hazy, cloudy or rainy conditions.
2. **Surface Temperature.** The temperature of the solar panel surface will also affect the amount of power generated. The lower the surface temperature of the panel, the more power will be produced. For example, solar panels generate more power when used during the winter than during the summer, and this is completely normal. Solar panels generally reach temperatures close to 60°C (140°F) during summer. This reduces nominal power by 10-15%, despite the higher levels of light shining on the panel.
3. **The Angle of the Sunlight.** Under good lighting conditions, the solar panel is able to stay where light hits perpendicular to the surface to achieve better light performance. However, most solar panels installed on the roof of an RV can only be installed in a tiled configuration, which prevents the panel(s) from being installed at the optimal angle, and this difference will result in a power output loss of approximately 5%-15%.
4. **Panel Shading.** The surface of the solar panel should not be shaded during use. Shading caused by shadows, foreign objects and glass can all greatly reduce power output.

**Performance Issues caused by Malfunctioning Panels:** If the panel still isn't generating power or its output remains far below expected nominal power figures after addressing the issues above, there may be an issue with the panel itself. Please contact Customer Support for assistance.

### How much power can the 100 W Solar Panel generate under normal conditions?

This depends first and foremost on weather conditions. Generally speaking, on a clear day with no clouds in the sky, sunlight hitting the panel at a 90° angle usually generates 70 W-80 W of power in the 100 W panel (current light conditions are normally 800-900 W/m<sup>2</sup> (74.3-83.6 W/ft<sup>2</sup>) with a panel temperature of 50°C (32°F) under test conditions. Nominal power ratings are based on 1,000 W/m<sup>2</sup> (92.9 W/ft<sup>2</sup>) in AM1.5 conditions with a panel temperature of 25°C under test conditions. Power output figures close to nominal values were normally observed in the midday sun during the winter).

### What are the usage temperature range and precautions for use for the 100 W Panel?

The operating temperature of the solar panel is -20°C (-4°F to 185°F). Please read the product's manual carefully before use. Solar panels are made of monocrystalline silicon wafers. During installation and use, please do not slam the panels on the ground, step on them, strike them with foreign objects, or sit on their surface as such actions may cause the monocrystalline silicon wafers to crack, which will affect your use. Damage caused by human force is not covered by the free warranty.

**Can I connect 100 W Solar Panels in series?**

Yes, but this is not recommended. Please read the instructions in the User Manual carefully, paying particular attention to energy storage controller requirements and limitations on solar panel output, so as not to cause solar panels with different currents to be used in series without releasing their power and creating a 1+1<2 effect.

**Can I connect 100 W Solar Panels in parallel?**

Yes. Connecting panels in parallel increases power through doubling the current. The maximum number of 100 W panels allowed in a parallel connection depends on the controller and energy storage equipment of your recreational vehicle. Please ensure that the energy storage system used in your vehicle supports a higher input current, and you should use wires with a diameter suitable to the output current to securely connect the panels in parallel.

**Do I need to clean the 100 W Solar Panel regularly?**

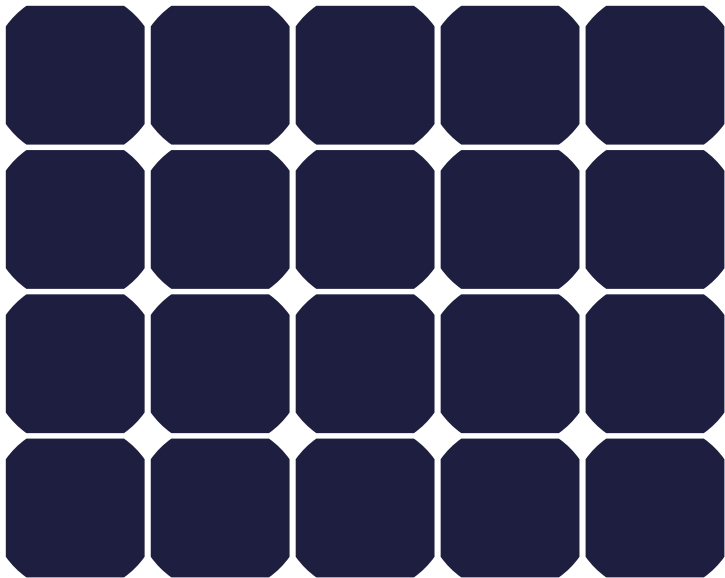
Yes. There can be a lot of dust and foreign objects on the surface of the solar panel after the panel has been used outdoors for a long time, which block the light to a certain extent, reducing the power output. Regular cleaning can help keep the surface of the solar panel clean and free from obstructions and generate a higher power output.

## 9. Maintenance

**We recommend that you carry out the following maintenance to ensure optimal performance of the module:**

1. Clean the glass surface of the module with water and a soft sponge or cloth when necessary. Stubborn dirt can be removed with mild detergent. Avoid using sharp and/or hard cleaning tools. It is recommended that you only clean in the morning and evening when the sun is weak [irradiance  $\leq 200 \text{ W/m}^2$  ( $18.6 \text{ W/ft}^2$ )].
2. Inspect electrical and mechanical connections every six months to confirm that they are clean, secure and undamaged.
3. Prevent leaves and other objects from covering the surface of the solar panel. Partially shading the solar panel will not only affect the efficiency of power generation, but may also cause excessive current at some places and burn out the components.

**In case of any issues, always have a qualified expert investigate and follow the maintenance instructions for all components used in the system, such as brackets, charge regulators, inverters, batteries, etc.**



# ≡COFLOW

## 100 W 単一ガラスソーラー パネル

お問い合わせ：

[ecoflow.com](http://ecoflow.com)

[support.jp@ecoflow.com](mailto:support.jp@ecoflow.com)





<b>1 目的</b>	<b>1</b>
<b>2 免責事項</b>	<b>1</b>
<b>3 一般的な安全性に関する情報</b>	<b>1</b>
<b>4 安全性に関する注意事項</b>	<b>2</b>
<b>5 設置手順と注意事項</b>	
5.1 開梱および注意事項	2
5.2 設置前の要件	3
5.3 設置に関する注意事項	4
5.4 ボルトの取り付け	6
<b>6 試運転とトラブルシューティング</b>	<b>9</b>
<b>7 製品仕様</b>	<b>9</b>
<b>8 よくある質問</b>	<b>10</b>
<b>9 メンテナンス</b>	<b>11</b>

## 1. 目的

このマニュアルには、太陽エネルギーコンポーネントとその取り付けに関する情報が記載されています。パネルを正しく使用するために、パネルを購入して取り付ける前に、必ずこのマニュアルを読んで詳しく理解してください。不適切な使用をすると、ユーザー、その他の人員が重傷を負ったり、製品が損傷したり、資産の損失を招くおそれがあります。

ご質問がある場合は、以下の連絡先にお問い合わせください。

モジュールを設置する際は、設置担当者がこのマニュアルに記載されているすべての安全性に関する注意事項を順守し、お住まいの国や地域の規制に従ってください。太陽光発電システムを設置する前に、設置担当者は、それらのシステムの機械的および電気的な要件を詳しく理解する必要があります。

このマニュアルを読んだ後は、サービスおよびメンテナンスに関する情報を後で参照できるように、失くさないよう大切に保管してください。

このマニュアルは、次のソーラーモジュールシリーズに適用されます。EF-SG-M100

## 2. 免責事項

この太陽光発電 (PV) 製品の設置、操作、使用、およびメンテナンスの条件や方法は、Ecoflow が制御できる範囲を超える可能性があるため、Ecoflow は、このような非標準的な設置および操作について一切の責任を負わず、またそれらに関連するあらゆる方法によって発生した損失、損傷、およびメンテナンス要件についての責任を否認します。

Ecoflow は、設置および使用中に当社が提供していない設置方法、アクセサリなどを採用したことによって生じた、第三者の特許またはその他の権利の侵害に対して責任を負わないものとします。

このマニュアルに記載されている製品情報および設置例は、Ecoflow および当社パートナーの関連する知識および経験に基づいて提供され、信頼性が高いと見なされます。ただし、製品仕様を含む、それらの情報における制限および推奨事項は、明示的または黙示的な保証を構成するものではありません。

本製品を使用する前に、ユーザーマニュアルおよび本製品に関する免責事項を注意してお読みください。本製品を使用した時点で、お客様はこのマニュアルのすべての条件および内容を理解して、承認および同意したものとみなされ、ユーザーは、自身の行為およびそこから生じたすべての結果について責任を負うものとします。取扱説明書に従って製品を使用することを怠ったことで生じたいかなる損失に対しても、EcoFlow は一切の責任を負いません。

法律と規制の遵守を条件として、当社はこの取扱説明書とこの製品に関連するあらゆる文書の解釈について最終権限を有するものとします。それにかかわる内容の更新、改訂、終了については、必要に応じて、事前の予告なしに実施されるものとします。ユーザーは、EcoFlow の公式ホームページで製品に関する最新情報を取得する必要があります。

## 3. 一般情報

太陽光発電システムは、必ず専門的なスキルと知識を持つ資格者のみが設置してください。すべてのソーラーモジュールには、ジャンクションボックスと 2.5 mm<sup>2</sup> (0.004 in<sup>2</sup>) 配線が常時接続されています。感電の危険性を含めて (ただし、これらに限定されません) 設置作業中に発生する可能性がある怪我の危険性については、すべて設置担当者が責任を負うものとします。直射日光にさらされると、1つのモジュールで 24 V を超える DC 電圧が生成されることがあります。24 V 以上の DC 電圧にさらされると、危険な可能性があります。太陽光にさらされている PV コンポーネントに接続されている配線を取り外すと、アーク放電が発生することがあります。このようなアーク放電は、火傷や火災の原因となることがあります。特別な注意を払って操作しないと、さらに問題が発生する可能性があります。電気から設置担当者自身を保護することが重要です。

ソーラーモジュールは太陽エネルギーを DC 電力に変換するものであり、屋外で使用するよう設計されています。モジュールは屋外にある固定物の上に取り付けることができます。システム設計者および設置担当者は、サポートされている構造の設計が順守されていることに責任を負うものとします。

モジュールを分解したり、取り付けられている銘板やコンポーネントを取り外したりしないでください。

バッテリーセルを光から遮断する塗料、接着剤、または物質をモジュールの受光面に塗布しないでください。

人工的に集めて増幅された日光にモジュールの表面をさらさないでください。

システムを設置する際は、国や地域の法律と条令を遵守してください。車両または船舶に取り付ける際は、

関連する地域および国の法律や条例遵守してください。

## 4. 安全性に関する注意事項

ソーラーモジュールの受光面に光が照射されているときに、ソーラーモジュールは 24 V 以上の電圧で DC 電力を生成します。モジュールが直列に接続されている場合、合計電圧は各モジュールの電圧の合計と等しくなります。モジュールが並列に接続されている場合、合計電流は各モジュールの電流の合計と等しくなります。

製品やパーツを移動したり取り付けたりする際には、お客様がシステムや設置場所に近づかないようにしてください。

設置するときにはモジュールの受光面を不透明な素材で完全に覆い、発電によって発生する問題を防ぐためにプラス端子とマイナス端子の接続を外すことをお勧めします。

PV システムの取り付けまたはトラブルシューティングを行う場合は、金属製のアクセサリや時計を含む、一切の金属性の製品を体より外して作業を行ってください。に変更してください。また、電気設備の設置用に承認された絶縁された工具のみを使用してください。

ケーブル、コネクタ、コントローラ、充電レギュレータ、インバータ、バッテリー、充電可能バッテリーなど、システムで使用されている他のすべてのコンポーネントの安全性に関する注意事項を遵守してください。

このソーラーモジュールシステムの設置に適用可能な機器、コネクタ、配線、ブラケットのみを使用してください。特定の PV システムでは、常に同じタイプのモジュールを使用してください。バイパスダイオードは、すべてのモジュールのジャンクションボックスに統合されています。

1つのモジュール、あるいは直列または並列に接続されたまたは複数のモジュールで、ケーブルの断面積とコネクタの容量は、システムの最大短絡電流に適合している必要があります。そうでない場合、ケーブルやコネクタが高電流のために過熱されます。DC ヒューズは、モジュールの過電流保護定格に適合している必要があります。

通常の屋外条件下では、天候や周囲の温度に応じて、モジュールによって生成される電流と電圧が、データシートに記載されているものとは異なる場合があります。銘板に記載されているデータは、標準テスト条件 (STC) 下で想定される値です。

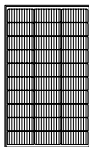
## 5. 設置手順および注意事項

設置前に、設置場所、設置、検査の要件と事前承認に関する情報を関連当局から入手してください。

**本製品を車両のルーフに取り付ける際は、ルーフが防火仕様になっていることを確認してください。**設置場所に可燃物を置かないようにしてください。ソーラーパネルのプラス端子とマイナス端子は、設置前に完全に取り外す必要があります。電気設備の設備には、認可された絶縁工具のみを使用してください。

### 5.1 開梱および注意事項

ソーラーパネルを慎重に開梱し、パッケージに記載されているすべての指示に従っていることを確認してください。同梱物は次のとおりです。



ソーラーパネル



取扱説明書および保証書

**注：**

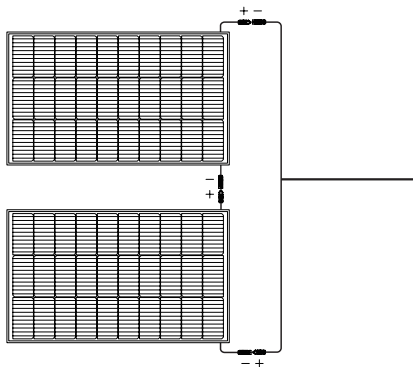
1. どのモジュールの上に乗る、歩く、立つ、飛び跳ねるといった動作を行わないでください。不均一な応力が加わると、バッテリーセルに微小な亀裂が発生し、最終的にはモジュールの信頼性とユーザーエクスペリエンスに影響を与える可能性があります。
2. 鋭利な工具を使用してモジュール、特にバックプレートをはひっかく、切る、スライスする、切り込みを入れるといった操作を行わないでください。
3. すべての電気接点とコネクタは清潔で乾燥した状態を保ってください。

## 5.2 設置前の要件

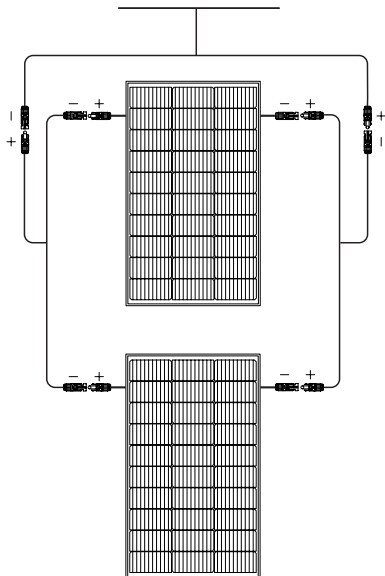
モジュールが一般的なシステム技術要件に準拠していること、および他のシステムコンポーネントがモジュールを機械的または電氣的に損傷させないことを確認してください。

モジュールを直列に接続して電圧を上げることも、並列に接続して電流を増加させることもできます。直列接続では、1つのモジュールのプラス端子が、2つ目のモジュールのマイナス端子に接続されます。並列接続では、1つのモジュールと2つ目のモジュールのプラス端子が接続され、それらのマイナス端子も接続されます。

直列接続を図に示します。



並列接続を図に示します。



同じ電気出力を持つモジュールを同じ直列で接続し、不一致による 1+1<2 効果の発生を防ぐことをお勧めします。

モジュールの底部にある排出口を塞がないでください（下図を参照）。

日陰を避けてください。僅かな陰でも出力が低下します。1年のうち日が最も短い日でもモジュールに太陽光が当たるようにしてください。

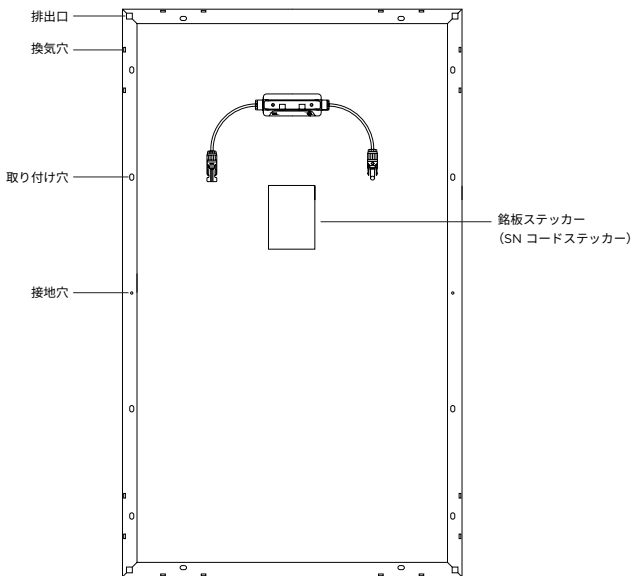
最も多くの電力を生成するには、北半球の場合はモジュールを直接南に向け、南半球の場合は直接北に向けます。設置に最適な仰角度の詳細については、お住まいの地域の標準 PV 設置ガイド、または有名なソーラー設置業者またはシステムインテグレータの設置角度要件を参照してください。

### 5.3 設置に関する注意事項

以下の取り付け方法はすべて参照用であり、関連する取り付けアクセサリは別途購入する必要があります。システムインストーラーは、作業中にインストールがすべての仕様に準拠していることを確認する必要があります。

モジュールは、ソーラーモジュールのフレームに用意されている取り付け穴を使用して取り付けする必要があります（12 個の穴、L x W : 111 x 7 mm (0.4 x 0.3 in)）。最も一般的な取り付け方法は、フレームの中心に近い 4 つの対称位置の穴を使用してモジュールを取り付けることです。

下の図をご参照ください：



**注：**

1. それぞれの長い緑の中央にある穴は、接地に使用されます。
2. 風や雪の荷重など、予想されるすべての荷重に耐えられるようにしっかりとモジュールを設置する必要があります。
3. モジュール間の隙間は 12.7 mm (0.5 in) 以上にする必要があります。

各モジュールには、次の情報を提供する 2 つのラベルがあります。

銘板ステッカー：標準のテスト条件で測定された製品タイプ、電気パラメータ、重量、寸法などに関する情報を提供します。

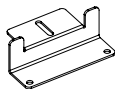
SN コードステッカー：各モジュールに一意のシリアル番号があります。

注：ソーラーパネルからラベルを剥がさないでください。ラベルを剥がすと、Ecoflow からの製品保証ポリシーが無効になります。

## 5.4 ボルトの取り付け

インストールするには、次の品目を含む特別なボルトキット（別売）を使用する必要があります。

Z字型ブラケット x 4、M6 六角ボルト x 4（ナット付き）、M6 大型ワッシャ x 4、M6 フラットワッシャ x 4、M6 スプリングワッシャ x 4、および六角セルフドリルネジ x 8（5.5 x 38 mm（0.2 x 1.5 in））



Z字型ブラケット  
x4



六角ボルト（ナット付き）  
x 4



M6 大型  
ワッシャ x 4



M6 フラット  
ワッシャ x 4



M6 スプリング  
ワッシャ x4

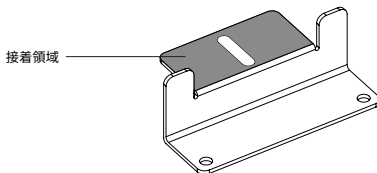


六角セルフドリル  
ネジ x 8

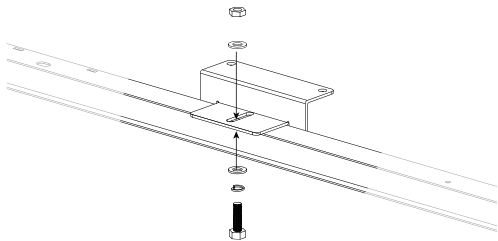
- M6 ステンレススチール製のボルト、ナット、ワッシャ、およびモジュールのフレームの背面にある取り付け穴を使用する必要があります。
- ステンレススチール製の適切な耐腐食性素材を使用して固定してください。
- モジュールのフレームに穴を開けたり、フレームを改造したりしないでください。そのようにすると保証が無効になります。
- 各モジュールは、4 つ以上のポイントで双方向にしっかりと取り付けられている必要があります。
- 車両のルーフまたはボディに取り付けるときは、空気の流れと熱の放散を容易にするために、ソーラーパネルとルーフまたはボディの間に隙間があることを確認してください。

手順は次のとおりです。

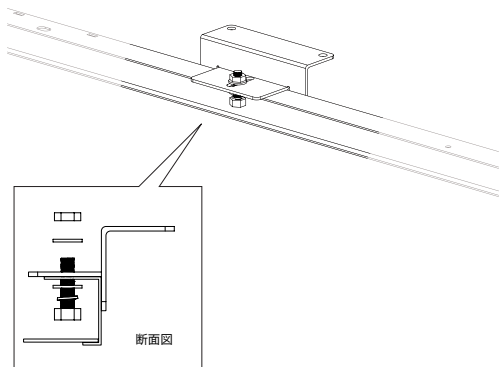
1. 手動グルーガンを使用して、構造用接着剤を Z 字型ブラケットの対応する領域（フレームに接触する面）に塗布します。



2. Z 字型ブラケットを対応する位置に配置し、M6 六角ボルト、M6 フラットワッシャ、および M6 スプリングワッシャを取り付けます。

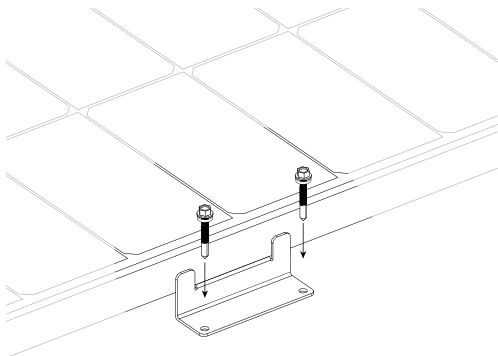


3. 次に、大型ワッシャを配置し、ナットを締め付けます。

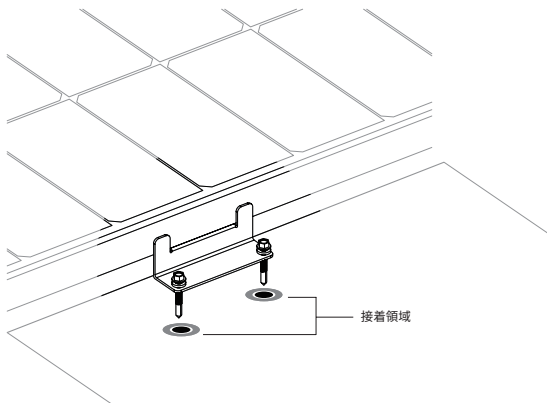




4. Z字型ブラケットとソーラーパネルを車両のルーフの取り付け位置に置き、Z字型ブラケットの台座の穴と対応するルーフの位置にドリルで開けます。



5. 穴を清掃し、接着剤を塗布します（必ず穴の周囲に構造用接着剤を塗布します）。



7. Z字型ブラケットの台座とルーフの穴位置を合わせた後で、6角セルフドリルネジ（5.5 x 38 mm（0.2 x 1.5 in））とプラスチックのリング）を取り付けます。24時間以上立てて置き、構造用接着剤が固まるのを待ちます（周囲の温度  $\leq 30^{\circ}\text{C}$ （ $86^{\circ}\text{F}$ ）、湿度  $\leq 70\% \text{ RH}$ ）。
8. 構造用接着剤が固まったら、台座とルーフの余分な接着剤を取り除きます。追加のソーラーパネルを取り付け、必要に応じて直列または並列に接続します。

## 6. 試運転とトラブルシューティング

EcoFlow では、ソーラーモジュールシステムのすべての試運転とメンテナンスを、資格を持った PV 技術者が実施することをお勧めします。

モジュールをシステムに接続する前にテストします。システムの試運転を行う前に、各部品および装置とともに提供されている指示に従って、必ずシステムのすべての電子コンポーネントをテストしてください。

モジュールの電気的性能をテストする場合、モジュールを通常のように日光に当て、負荷に接続しないでください。これらの測定を実施する際は、安全に十分に注意してください。

異常が発生した場合は、次の手順に従って問題をトラブルシューティングしてください。

- すべての配線を点検して、開回路や接続不良がないことを確認します。
- 各モジュールの開回路の電圧をチェックします。
- モジュールが完全に不透明な素材で覆われている状態で開回路の電圧をチェックし、その後に不透明な素材を取り除いて、端子で開回路の電圧を測定して比較します。

700 W/m<sup>2</sup> (65.0 W/ft<sup>2</sup>) 以上の放射照度で、端子間の電圧が公称値と 5% 以上異なる場合、電気接続不良を示しています。

## 7. 製品仕様

### 100 W 単一ガラスソーラーパネル

定格電力：100 W (+/-5 W)

開回路電圧：20.3 V

短絡電流：6.3 A

最大動作電圧：17.1 V

最大動作電流：5.9 A

定格出力温度係数：-0.39%/°C

開回路電圧の温度係数：-0.33%/°C

短絡電流の温度係数：0.06%/°C

最大システム電圧：600 VDC (UL)

最大ヒューズ電流：15 A

### 一般

ソーラーパネル重量：約 6.2 kg (13.7 lbs)

寸法：98 x 58.6 x 3 cm (38.6\*23.1\*1.2 in)

### テストと認定



\* 標準テスト条件：1,000 W/m<sup>2</sup> (92.9 W/ft<sup>2</sup>)、AM1.5、25°C

## 温度係数の仕様

出力の温度係数	- (0.39+/-0.02) %/k
電圧の温度係数	- (0.33+/-0.03) %/k
電流の温度係数	+ (0.06+/-0.015) %/k

## 8. よくある質問

### 100 W ソーラーパネルを実際に使用したときに、記載されている電力量を供給できないのはなぜですか？

ほとんどの場合、ソーラーパネルが完全な公称電力を供給しないのは正常です。これが起こるいくつかの理由と、公称電力値に近づけるためのいくつかの提案を以下に示します。

1. 光の強度。パネルに照射される光の量によって、電力出力が変動します。晴れた日に真昼の太陽の下で製品を使用すると、朝または夕方近くを使用する場合よりも、テスト条件下で得られた公称電力出力値に近い値を達成する可能性が高くなります。天候条件もパネルに照射される日光の量に影響します。たとえば、もや、曇り、雨などの条件下では、公称電力の値を達成する可能性は低くなります。
2. 表面温度。ソーラーパネル表面の温度も、生成される電力量に影響します。パネルの表面温度が低いほど、より多くの電力が生成されます。たとえば、夏の間より、冬の間を使用した方が、ソーラーパネルはより多くの電力を生成します。ソーラーパネルは通常、夏の間は 60°C (140°F) 近くの温度に達します。このため、パネルに照射される光のレベルが高いにもかかわらず、公称電力が 10 ~ 15% 減少します。
3. 太陽光の角度。良好な日当たりの条件下では、ソーラーパネルの表面に垂直に光が当たる場所に設置できるため、より優れた光性能を実現できます。ただし、RV のルーフに取り付けられているソーラーパネルのほとんどは、タイル構成でのみ取り付けることができます。このため、パネルを最適な角度で取り付けることができなくなり、この違いの結果として約 5 ~ 15% の出力が失われます。
4. パネルの影。使用中にソーラーパネルの表面に影がかからないようにしてください。影、異物、ガラスが原因で生じる影は、すべて電力出力を大幅に減少させます。

機能不良のパネルによるパフォーマンスの問題：上記の問題に対処した後も、パネルがまだ電力を生成しない場合、またはパネルの出力が予想される公称電力値を大幅に下回っている場合は、パネル自体に問題がある可能性があります。サポートが必要な場合は、カスタマーサポートにお問い合わせください。

### 100 W ソーラーパネルは、通常の条件下でどれくらいの電力を生成できますか？

これは、天候条件によって左右されます。一般的に、空に雲がない晴れた日には、90 度の角度でパネルに太陽光が当たる場合、100 W パネルで通常 70 ~ 80 W の電力を生成します（現在、通常の光の状態は 800 ~ 900 W/m<sup>2</sup> (74.3 ~ 83.6 W/ft<sup>2</sup>) であり、テスト条件下のパネルの温度は 50°C (32°F) です。公称電力定格は、AMI.5 条件で 1000 W/m<sup>2</sup> (92.9 W/ft<sup>2</sup>) であり、テスト条件下のパネルの温度は 25°C です。通常、冬の真昼の太陽の下での電力出力値は公称値に近い値になります）。

### 100 W パネルの使用時の温度範囲と使用上の注意事項を教えてください。

ソーラーパネルの動作温度は -20°C ~ 85°C (-4°F ~ 185°F) です。使用する前に、製品マニュアルをよくお読みください。ソーラーパネルは単結晶シリコンウェハーで構成されています。取り付けおよび使用中は、パネルを地面に打ちつけたり、踏みつけたり、異物で叩いたり、表面に座ったりしないでください。このような動作により、単結晶シリコンウェハーに亀裂が生じ、使用に影響を与える可能性があります。このような場合は、無償保証の対象にはなりません。

### 100 W ソーラーパネルを直列で接続できますか？

はい。ただし、これはお勧めできません。ユーザーマニュアルの指示をよく読み、バッテリーの事でしようかコントローラの要件とソーラーパネル出力の制限に特に注意してください。これは、電力を解放せずに電流の異なるソーラーパネルを直列で使用して 1+1<2 の効果が発生することを防ぐためです。

### 100 W ソーラーパネルを並列で接続できますか？

はい。パネルを並列に接続すると、電流が2倍になるため電力が増加します。並列で接続できる100 Wパネルの最大数は、RVのコントローラおよびバッテリーの事でしょうかによって異なります。車両で使用されているバッテリーの事でしょうかシステムが高い入力電流をサポートしていることを確認してください。パネルを安全に並列接続するには、出力電流に適した太さの配線を使用する必要があります。

### 100 W ソーラーパネルを定期的に清掃する必要がありますか？

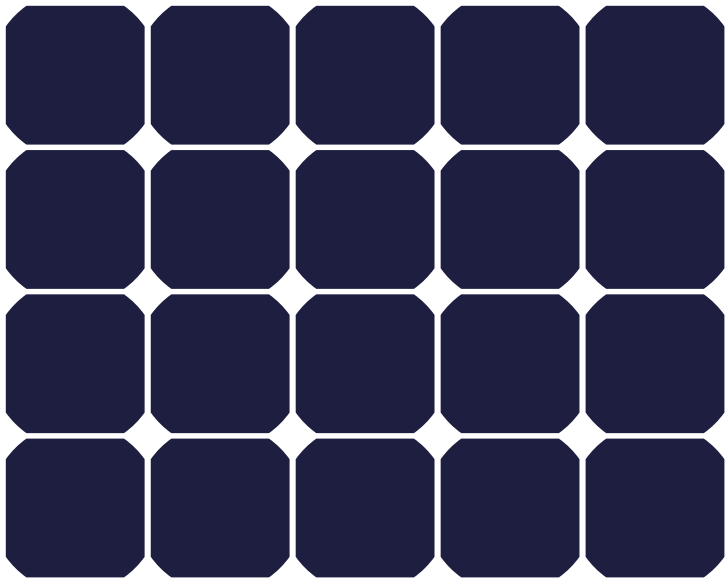
はい。パネルを屋外で長時間使用した後に、ソーラーパネルの表面に埃や異物が多く付着し、光がある程度遮断されて出力が低下することがあります。定期的に清掃することで、ソーラーパネルの表面をきれいな状態に保ち、障害物をなくして、出力を向上させることができます。

## 9. メンテナンス

モジュールの最適なパフォーマンスを確保するために、次のメンテナンスを実行することをお勧めします。

1. 必要に応じて、モジュールのガラス面を水と柔らかいスポンジまたは布で清掃します。頑固な汚れは中性洗剤で取り除くことができます。鋭利な清掃ツールや硬いツールは使用しないでください。太陽光が弱い朝と夜にのみ清掃することをお勧めします（放射照度  $\leq 200 \text{ W/m}^2$  (18.6  $\text{ W/ft}^2$ )）。
2. 電気および機械的な接続部を6か月ごとに点検して、清潔で、安全で、損傷がないことを確認します。
3. ソーラーパネルの表面が葉やその他の物体で覆われないようにします。ソーラーパネルの一部に影ができると、発電の効率に影響を与えるだけでなく、一部の場所で過剰な電流が発生し、コンポーネントが焼ける場合もあります。

問題が発生した場合は、必ず有資格の専門家に点検を依頼し、ブラケット、充電レギュレータ、インバータ、バッテリーなど、システムで使用されるすべてのコンポーネントのメンテナンス手順に従ってください。



**≡COFLOW**

100W 刚性太阳能板

联系我们:

[ecoflow.com](http://ecoflow.com)

[support@ecoflow.com](mailto:support@ecoflow.com)



1 目的	1
2 免责声明	1
3 一般安全	1
4 安全注意事项	2
5 安装步骤及注意事项	
5.1 拆包及注意事项	2
5.2 预安装要求	3
5.3 安装注意事项	4
5.4 螺栓连接	6
6 调试和故障排除	9
7 产品规格	9
8 FAQ	10
9 维护	11

## 1. 目的

本手册包含有关太阳能组件本身和安装的相关信息。在购买和安装之前，应阅读并充分理解手册中相关内容，以保证在完全理解后正确使用。如果没有正确操作本产品，您可能会对自身或他人造成严重伤害，或者导致产品损坏和财产损失。

如果有任何问题，请及时联系我们以获得进一步说明与回答。

安装模块时，安装人员应遵守本手册中列出的所有安全预防措施，且此类安装也应遵循当地相关规范。在安装太阳能光伏系统之前，安装人员应熟悉此类系统的机械和电气要求；

阅读后，请将本手册保存在安全的地方，以备将来保养和维护参考。

本文件适用于下列太阳能组件系列：EF-SG-M100

## 2. 免责声明

由于本手册的使用以及光伏（PV）产品的安装、操作、使用和维护的条件或方法可能超出 EcoFlow 的控制范围，EcoFlow 不承担相关责任，并明确否认因此类不规范安装、操作产生或以任何方式与之相关的损失、损坏费用、维护要求。

EcoFlow 对用户在安装使用过程中，使用超出我司提供内容的安装方式、配件等可能导致的任何侵犯第三方专利或其他权利的行为不承担任何责任。

本手册中的产品信息、安装示例基于 EcoFlow 及合作伙伴的相关知识和经验，并被认为是可靠的；但这些信息（包括产品规格）的限制和建议不构成任何明示或暗示的保证；

在使用前，请阅读本产品的用户手册、免责条款，一旦使用本产品，即视为您已理解、认可和接受本文档全部条款和内容，使用者承诺对自己的行为及因此而产生的所有后果负责。EcoFlow 不承担因用户未按《用户手册》使用产品所引发的一切损失。

在遵从法律法规的情况下，本公司享有对本文档及本产品所有相关文档的最终解释权。如有更新、改版或终止，恕不另行通知，请访问 EcoFlow 官方网站以获取最新的产品信息。

## 3. 一般安全

安装太阳能光伏系统需要相关专业技能和知识，只能由具备合格资质的人员进行安装。所有太阳能模块都配有一个永久连接的接线盒和 2.5mm<sup>2</sup> 导线。安装人员应承担安装过程中可能发生的所有伤害风险，包括但不限于触电风险。

当暴露在阳光直射下时，一个单独的模块可能会产生大于 24V 的直流电压，接触 24V 或更高的直流电压有潜在危险。当断开与暴露在阳光下的光伏组件相连的电线时，可能会产生电弧。这样的电弧可能会导致烧伤，可能会引发火灾，需要谨慎操作，否则可能产生更多问题。因此，要做好防电保护！

太阳能组件将光能转换为直流电能，是为户外使用而设计的。模块可以安装在固定的户外场景顶部上，其支撑结构的合规设计应由系统设计师和安装人员负责。

不要试图拆卸模块，也不要拆下任何连接的铭牌或组件。

不要在模块受光面上涂抹油漆或粘合剂等遮挡电池片受光的物质。

不要将人工集中的放大阳光直接照射在模块表面。

安装系统时，请遵守所有当地、地区和国家法定法规。在车辆或船上安装时，请遵守当地和国家的相关法规。



## 4. 安全注意事项

当光照在太阳能组件的受光面时，太阳能组件会产生电能，直流电压可能超过 24V。如果模块串联，总电压等于各个模块电压之和；如果模块并联，总电流等于各个模块电流之和；

运输和安装任何机械和电气部件时，请注意避让儿童，使其远离系统及安装现场；

在安装过程中，建议先用不透明材料完全覆盖模块受光面，并保持正负极断开，以防止发电而出现问题；

安装或排除光伏系统故障时，不要佩戴金属环、表带、耳环、鼻环、唇环或其他金属装置，只能使用经批准用于电气安装的绝缘工具；

遵守系统中使用的所有其他组件的安全规定，包括连接线和电缆、连接器、控制器、充电调节、逆变器、蓄电池和其他可充电电池等；

只能使用适用于本太阳能模块系统安装的相关设备、连接器、接线和支架，在特定光伏系统设计中，应始终使用相同类型的模块，所有模块都已在接线盒中集成了旁路二极管；

无论单个模块或多个模块串并联组合，电缆的横截面积和连接器的容量必须适合最大系统短路电流，否则电缆和连接器在大电流下会过热；

模块过电流保护的额定值适用于直流保险丝；

在正常室外条件下，模块将产生不同于数据表中所列的电流和电压，具体视气象条件和环境温度决定，铭牌中所列数据是标准试验条件下（STC）下的预期值。

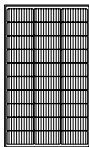
## 5. 安装步骤及注意事项

安装前，从相关部门获取有关现场、安装和检查的任何要求和预批准的信息。

**车顶安装时确保车顶有防火措施保护：**安装现场无易燃物，安装前太阳能板正负极处于完全断开状态，只能使用经批准用于电气安装的绝缘工具。

### 5.1 拆包及注意事项

小心打开太阳能包装，确保遵循包装上的所有指示，包装内容及清单如下：



太阳能板



用户手册和保修卡

**注意：**

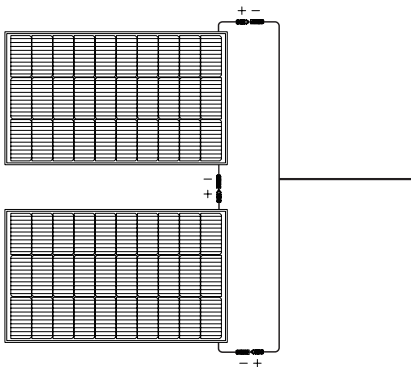
1. 不要在任何模块上踩踏、行走、站立或跳跃，局部受力不均可能导致电池片上的微裂纹发生变化，最终影响模块的可靠性和使用体验；
2. 不要在模块上使用锋利的工具进行划、切、割、拉等动作，尤其是背面的背板；
3. 保持所有电气接触点及接头处于清洁干燥条件。

## 5.2 预安装要求

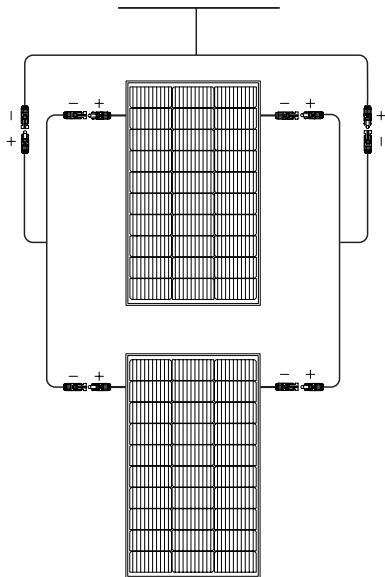
确保模块符合一般系统技术要求，确保其他系统部件不会以机械或电气方式损坏模块；

模块可以串联以增加电压，也可以并联以增加电流。串联连接使模块从一个模块的正极转到第二个模块的负极，并联连接将一个模块和第二个模块的正极电缆、负极电缆对应连接；

串联如图：



并联如图：



建议将具有相同电气输出的模块连接在同一串中，以避免不匹配效应产生  $1+1 < 2$  的效果；

不得堵塞模块底部的排水孔（具体图示可参照下文）。

避免遮光，即使是轻微的局部遮光也会降低电量；确保即使在一年中最短的一天，阳光也应该能够照射模块；

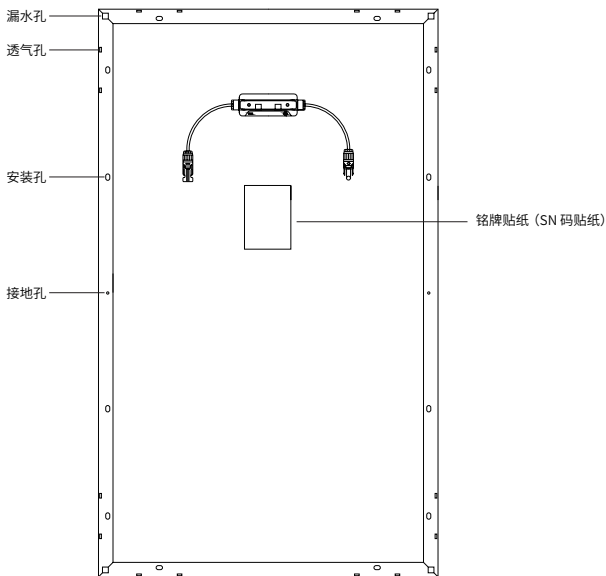
模块应在北纬正南，在南纬正北，以获得最佳电力生产，有关安装最佳仰角的详细信息，可参阅当地标准太阳能光伏安装指南或知名太阳能安装商或系统集成商的安装角度要求。

### 5.3 安装注意事项

以下所有安装方法仅供参考，涉及相关安装配件需单独购买。任何系统安装人员在施工时均应确保安装遵守所有规范。

模块安装必须使用太阳能组件边框中预留的安装孔（12个，长\*宽：11X7mm）。最常见的安装方式是使用靠近模块框架内侧的四个对称点安装模块。

如下图：



**注意：**

1. 长边居中的两侧小孔用于接地。
2. 模块应安全固定，以承受所有预期荷载，包括风荷载和雪荷载。
3. 模块之间的最小间隙为 0.5in (12.7mm) 或更大。

每个模块都有两个标签，提供以下信息：

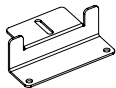
铭牌贴纸：包含产品类型，在标准试验条件下测量的电参数、重量、尺寸等。

SN 码贴纸：每个模块都有一个唯一的序列号。

**注意：不要移除太阳能板上的任何标签，如果标签被移除，Ecoflow 将不再遵守产品保修政策。**

## 5.4 螺栓连接

安装需使用专门螺栓套件（单独购买），套件包含：Z 字架 4 个、M6 外六角螺栓（配套螺母）4 个、M6 大垫圈 4 个、M6 平垫圈 4 个、M6 弹垫圈 4 个、外六角钻尾螺丝（5.5\*38mm）8 个。



Z 字架 x4



外六角螺栓（配套螺母）x4



M6 大垫圈 x4



M6 平垫圈 x4



M6 弹垫圈 x4

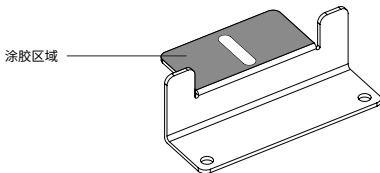


外六角钻尾螺丝 x8

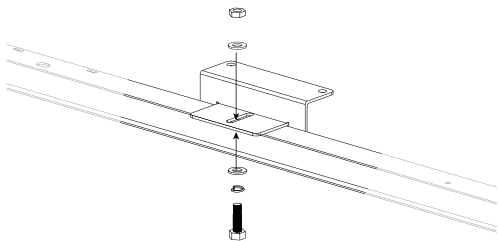
- 必须使用 M6 不锈钢螺栓、螺母和垫圈，使用位于模块边框后侧的安装孔进行安装。
- 使用合适的防腐蚀紧固材料，紧固材料应为不锈钢。
- 请勿钻孔或修改模块框架，否则将导致保修失效。
- 每个模块必须在相对两侧至少 4 个点处牢固固定。
- 安装于车顶或者车体时，注意一定要在太阳能板与车顶、车体之间留出来缝隙，有利于空气流通散热。

步骤如下：

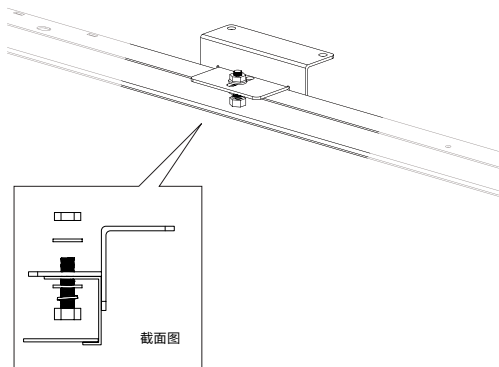
- 用手动胶枪将结构胶涂抹在 Z 字架相应位置（与边框接触面）。



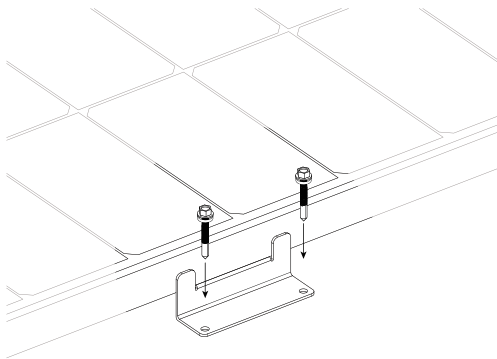
2. 将 Z 字架放在对应位置，安装外六角螺栓（M6）、平垫圈（M6）和弹垫圈（M6）。



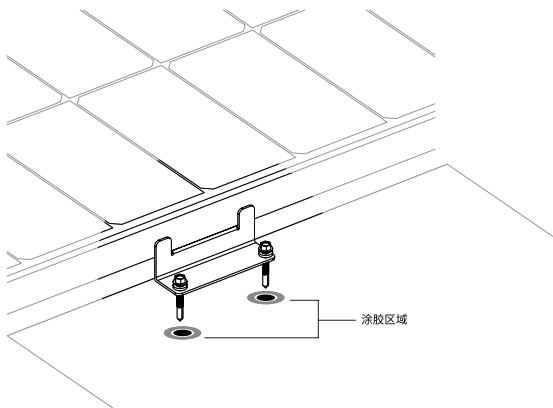
3. 依次放入大垫圈，并拧紧螺帽。



4. 将已安装 Z 字架太阳能板放置在车顶预备安装位置，对应 Z 字架底座孔位在车顶打孔。



5. 清洁孔位，打胶（结构胶务必围绕孔位一周）。



7. 将组件 Z 字架底座与车顶孔位对应后，安装外六角钻尾螺丝（5.5\*38mm，配塑料挡圈），静置 $\geq 24\text{h}$ ，待结构胶固化（环境条件温度 $\leq 30^{\circ}\text{C}$ ，湿度 $\leq 70\% \text{RH}$ ）。

8. 待结构胶固化后，清理底座及车顶残胶，根据实际需要安装不同数量太阳能板和串并连接。

## 6. 调试及故障排除

**Ecoflow 建议太阳能系统的所有调试和维护工作必须由合格的太阳能光伏技术人员执行!**

在连接到系统之前测试连接的模块；在调试系统之前，测试系统的所有电气和电子组件，务必遵循随部件和设备提供的指南中的说明。

为了测试模块的电性能，模块一般会暴露在阳光下，且不得连接到负载。当进行这些测量时，请注意人身安全。

当出现发电异常时，请按下列顺序依次排查：

- 检查所有接线，确保没有开路或连接不良；
- 检查每个模块的开路电压；
- 用不透明材料完全覆盖模块检查开路电压；去除不透明材料，并测量其端子处的开路电压，并作对比。

在辐照度  $\geq 700\text{W}/\text{m}^2$  条件下，如果端子之间的电压与额定值相差超过 5%，则表明电气连接不良。

## 7. 产品规格

### 100W 刚性太阳能板

额定功率：100W (+/-5w)

开路电压：20.3V

短路电流：6.3A

最大工作电压：17.1V

最大工作电流：5.9A

额定功率温度系数：-0.39%/°C

开路电压温度系数：-0.33%/°C

短路电流温度系数：0.06%/°C

最大系统电压：600VDC(UL)

最大保险丝电流：15A

### 常规

太阳能充电板重量：约 6.2 千克

尺寸：98\*58.6\*3 厘米

### 检测和认证



\* 标准测试条件：1000W/m<sup>2</sup>，AM1.5，25°C



## 温度系数

功率表现温度系数	$-(0.39+/-0.02)\%/k$
电压表现温度系数	$-(0.33+/-0.03)\%/k$
电流表现温度系数	$+(0.06+/-0.015)\%/k$

## 8. FAQ

### 100W 太阳能实际使用怎么没有标称的那么多？

正常太阳能板在实际使用时，使用功率多数情况下都达不到标称功率是属于正常情况，以下几个因素会导致功率低于标称功率，或者按照指示修正即可接近标称数据。

- 1、光线的强弱，太阳光强弱都会导致输出功率上下浮动，在正午晴天的太阳光下使用会相对接近测试条件的功率，早上或下午都会小于标称值。不同的天气条件都会引起光线条件改变，比如雾霾天气、多云或阴雨天气都会导致功率远小于标称的数据。
- 2、表面温度，太阳能板表面温度会影响太阳能板的功率表现，表面温度越低功率表现越好，比如冬季的时候使用太阳能板功率会比夏季的时候高，属于正常现象。通常夏季太阳能板受到光线照射温度会接近 60°C，即使光线比较好也会比标称低 10-15% 的功率。
- 3、太阳光线的角度，在光线条件好的情况下，太阳能板保持和光线垂直就可以获得比较好的光线表现，但房车顶安装太阳能板大多只能平铺，那么平铺以后就不能与太阳光形成最佳照射角度，这个差距大约会损失 5%-15% 的功率。
- 4、是否有遮挡，太阳能板在使用时表面尽量不要有遮挡，包括投影、异物、玻璃遮挡都会导致功率大幅下降。

故障情况下的表现：如果出现以上条件都满足最优的情况下，出现没有功率或者功率远小于标称数据，有可能属于故障情况，即可联系售后处理。

### 100W 通常能出现的功率是多少？

这个首先取决于当前的天气条件，通常晴天万里无云的情况下光线直射，100W 太阳能板常见的功率范围是 70W-80W (当前光线条件通常是 800W-900W/m<sup>2</sup>，板面 50°C 的条件下测试获得；标称数据则是由 AM1.5 气象条件 1000W/m<sup>2</sup>，板面 25°C 的条件下测试获得，通常在冬季正午的状态下可以看到接近标称的功率)。

### 100W 使用温度范围，使用注意事项？

太阳能板的使用温度范围为 -20°C -85°C，使用前请认真阅读参考太阳能板说明书。因太阳能板是单晶硅片制作的，安装和使用过程中不可以用力摔在地面，不可以踩踏，不可以使用异物敲打，不可以坐在表面上以免导致单晶硅片破裂影响使用，人为外力损坏不在免费保修的范围内。

### 100W 太阳能板可以混合使用吗？

支持，但不建议。请仔细阅读用户手册中的描述和介绍，尤其关注储能控制器对太阳能板输出的要求和限制，以免导致电流不同的太阳能板串联在一起使用受到限制，太阳能板的功率得不到释放，造成 1+1<2 的情况。

### 100W 太阳能板可以并联使用吗？

支持，并联使用是通过电流翻倍来实现功率增大的，因此最多允许几块 100W 太阳能板在并联状态下使用需要根据自身房车控制器和储能设备的要求进行判定，以确保使用的车载储能系统支持更大数值的输入电流；且并联使用时要注意根据输出电流的变化选择合适线径的导线进行安全连接。

### 100W 太阳能板需要经常清洁吗？

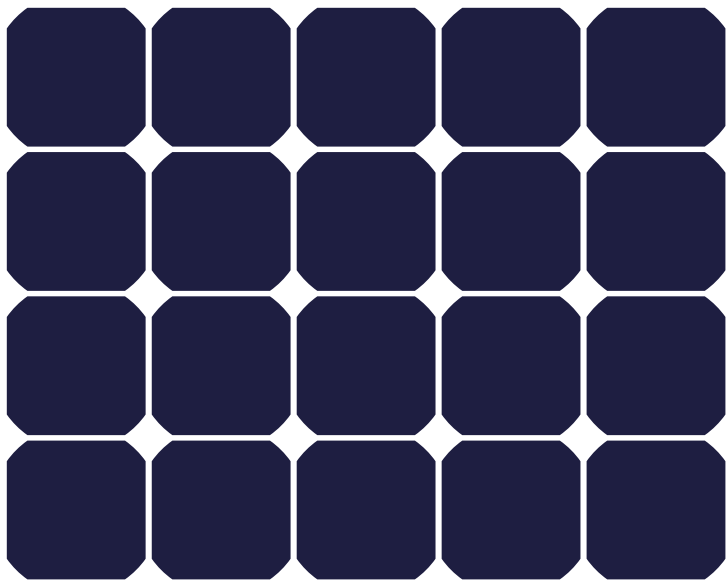
可以，太阳能板户外长期使用会积攒一定的灰尘、异物在表面，造成一定程度上的光线遮挡，会降低发电功率输出。经常清洁可保持太阳能板表面干净、整洁，可较好实现太阳能板发电功率输出。

## 9. 维护

**为确保模块输出最佳性能，建议进行以下维护：**

1. 必要时清洁模块的玻璃表面，务必用水和柔软的海绵或布料进行清洁；可以用温和的清洁剂清除顽固污垢；避免用尖锐和硬质的清洁工具；清洁时间建议在早晚阳光较弱时进行（光照 $\leq 200\text{W}/\text{m}^2$ ）；
2. 每六个月检查一次电气和机械连接，以确认其清洁、牢固且未损坏；
3. 防止落叶与其他杂物在太阳能板表面堆积；太阳能板上有局部遮挡不但会影响发电效率，还容易引起局部电流过大而烧毁太阳能元器件；

**如果出现任何问题，务必请有合格资质的专家进行调查，遵守系统中使用的所有部件的维护说明，如支架、充电调节器、逆变器、电池等。**



**≡ COFLOW**

100-W-Einzelglas-  
Photovoltaikmodul

**Kontakt:**

[ecoflow.com](http://ecoflow.com)

NA/LA/APAC/MEA: [support@ecoflow.com](mailto:support@ecoflow.com)

EU: [support.eu@ecoflow.com](mailto:support.eu@ecoflow.com)

AU: [support.au@ecoflow.com](mailto:support.au@ecoflow.com)



<b>1 Zweck</b>	<b>1</b>
<b>2 Haftungsausschluss</b>	<b>1</b>
<b>3 Allgemeine Sicherheitshinweise</b>	<b>1</b>
<b>4 Sicherheitsvorkehrungen</b>	<b>2</b>
<b>5 Installation und Vorsichtsmaßnahmen</b>	
5.1 Auspacken und Vorsichtsmaßnahmen	2
5.2 Installationsanforderungen	3
5.3 Vorsichtsmaßnahmen zur Installation	4
5.4 Schraubenmontage	6
<b>6 Inbetriebnahme und Fehlerbehebung</b>	<b>9</b>
<b>7 Produktspezifikationen</b>	<b>9</b>
<b>8 Häufig gestellte Fragen</b>	<b>10</b>
<b>9 Wartung</b>	<b>11</b>

## 1. Zweck

Dieses Handbuch enthält Informationen zu den Solarenergiekomponenten und deren Installation. Bitte lesen Sie dieses Handbuch vor dem Kauf und der Installation der Panele sorgfältig durch, um die korrekte Nutzung der Module sicherzustellen. Jede falsche Verwendung kann zu schweren Verletzungen des Benutzers oder anderer Personen, zu Schäden am Produkt oder zu anderen Sachschäden führen.

Wenn Sie Fragen haben, zögern Sie bitte nicht, uns zu kontaktieren, um weitere Informationen zu erhalten. Bei der Modulinstallation muss der Installateur alle in diesem Handbuch angegebenen Sicherheitsvorkehrungen und alle lokalen Vorschriften befolgen. Der Installateur muss bei der Installation von Photovoltaikanlagen mit den mechanischen und elektrischen Anforderungen solcher Systeme vertraut sein. Bewahren Sie dieses Handbuch nach dem Lesen an einem sicheren Ort auf, damit es in Zukunft für Service- und Wartungszwecke verwendet werden kann.

Dieses Dokument gilt für die folgende Photovoltaikmodul-Baureihe: EF-SG-M100

## 2. Haftungsausschluss

Da die Verwendung dieses Handbuchs sowie die Bedingungen und Verfahren für die Installation, den Betrieb, die Verwendung und die Wartung von Photovoltaikprodukten außerhalb der Kontrolle von EcoFlow liegen können, übernimmt EcoFlow keinerlei Verantwortung für solche nicht standardmäßigen Installationen und Betriebsabläufe und lehnt ausdrücklich die Haftung für jegliche Verluste, Schäden und Wartungsanforderungen ab, die sich daraus ergeben oder in irgendeiner Weise damit in Zusammenhang stehen.

EcoFlow haftet außerdem nicht für Verletzungen von Patenten oder anderen Rechten Dritter, die sich aus der Anwendung von Installationsverfahren, Zubehörteilen usw. während der Installation und Nutzung ergeben können und die nicht von unserem Unternehmen bereitgestellt wurden.

Die Produktinformationen und Installationsbeispiele in diesem Handbuch basieren auf dem entsprechenden Wissen und den Erfahrungen von EcoFlow und seinen Partnern und gelten als zuverlässig. Die Einschränkungen und Empfehlungen in diesen Informationen, einschließlich der Produktspezifikationen, stellen jedoch keine ausdrückliche oder stillschweigende Gewährleistung dar.

Lesen Sie vor dem Einsatz des Produkts das Benutzerhandbuch und den Haftungsausschluss für dieses Produkt sorgfältig durch. Sobald Sie dieses Produkt einsetzen, wird davon ausgegangen, dass Sie alle Bedingungen und Inhalte des vorliegenden Dokuments verstanden, zur Kenntnis genommen und akzeptiert haben. Der Benutzer ist für seine Handlungen und sämtliche daraus entstehenden Folgen verantwortlich. EcoFlow übernimmt hiermit keinerlei Haftung für Schäden, die durch die Verwendung des Produkts entgegen dem Benutzerhandbuch entstehen.

Unter Einhaltung von Gesetzen und Vorschriften hat unser Unternehmen die Deutungshoheit über dieses Dokument und alle diesem Produkt zugehörigen Dokumente. Alle Aktualisierungen, Überarbeitungen oder Löschungen des Inhalts erfolgen bei Bedarf ohne vorherige Ankündigung, und Benutzer müssen die offizielle Website von EcoFlow besuchen, um die neuesten Informationen zum Produkt zu erhalten.

## 3. Allgemeine Sicherheitshinweise

Photovoltaikanlagen dürfen nur von qualifiziertem Personal mit entsprechenden Fachkenntnissen installiert werden. Alle Photovoltaikmodule sind mit einem fest verbundenen Anschlusskasten und Drähten mit 2,5 mm<sup>2</sup> (0,004 in<sup>2</sup>) Durchmesser ausgestattet. Der Installateur trägt alle Gefahren für Verletzungen während der Installation, zu denen auch die Stromschlaggefahr zählt.

Bei direkter Sonneneinstrahlung kann ein einzelnes Modul über 24 V Gleichspannung erzeugen. Eine Exposition gegenüber Spannungen von 24 V Gleichspannung und höher birgt Gefahren. Beim Trennen von Kabeln von dem Sonnenlicht ausgesetzten PV-Komponenten kann es zur Lichtbogenbildung kommen. Solche Lichtbögen können Verbrennungen und Brände verursachen. Bitte gehen Sie mit besonderer Sorgfalt vor, um erhebliche Probleme zu vermeiden. Es ist daher wichtig, sich vor Stromschlägen zu schützen!

Die Photovoltaikmodule erzeugen aus Sonnenenergie Gleichstrom und sind für den Einsatz im Freien ausgelegt. Die Module können im Außenbereich auf einem festen Objekt montiert werden. Der Systemplaner und der Installateur sind für die Auslegung der Unterkonstruktion verantwortlich.

Versuchen Sie nicht, Module zu zerlegen oder angebrachte Typenschilder oder Komponenten zu entfernen.

Tragen Sie auf die lichtempfangende Oberfläche des Moduls keine Lacke, Klebstoffe oder Substanzen auf, die den Lichteinfall auf die Batteriezelle verhindern können.

Setzen Sie die Oberfläche des Moduls nicht verstärktem, künstlich gebündeltem Sonnenlicht aus.

Halten Sie sich bei der Installation von Systemen an alle lokalen, regionalen und nationalen Gesetze und gesetzlichen Vorschriften. Beachten Sie bei der Installation auf einem Fahrzeug oder Schiff die einschlägigen lokalen und nationalen Gesetze und Vorschriften.

## 4. Sicherheitshinweise

Wenn Licht auf die lichtempfindliche Oberfläche des Solarpanels trifft, erzeugt das Solarpanel Gleichstrom mit einer Spannung von über 24 V. Wenn Paneele in Reihe geschaltet werden, ist die Gesamtspannung gleich der Summe der Spannungswerte jedes einzelnen Panels. Wenn Module parallel geschaltet werden, entspricht die Gesamtstromstärke der Summe des Stromstärken jedes einzelnen Panels.

Achten Sie beim Transport und der Installation von mechanischen und elektrischen Komponenten darauf, Kinder vom System und vom Installationsort fernzuhalten.

Es wird empfohlen, die lichtempfangende Oberfläche des Panels während der Installation vollständig mit undurchsichtigem Material abzudecken und die positiven und negativen Anschlüsse zu trennen, um Probleme durch eine Stromerzeugung zu vermeiden.

Bei der Installation oder Fehlerbehebung an PV-Systemen keine Metallringe, Bänder, Ohringe, Nasenringe, Lippenpiercings oder andere Metallgegenstände tragen und nur isoliertes, für Elektroinstallationen zugelassenes Werkzeug verwenden.

Beachten Sie die Sicherheitsvorkehrungen für alle anderen im System verwendeten Komponenten, darunter Kabel, Steckverbinder, Steuerungen, Ladungsregler, Wechselrichter, Batterien, wiederaufladbare Akkus usw.

Verwenden Sie nur die für die Installation dieses Solarpanels vorgesehene Ausrüstung, Steckverbinder, Kabel und Halterungen. Verwenden Sie in einer bestimmten PV-Anlage immer Module des gleichen Typs. Bei allen Modulen sind Bypass-Dioden in den Anschlusskästen integriert.

Bei einem einzelnen Solarpanel oder einer Kombination aus mehr als einem in Reihe oder parallel geschalteten Solarpanels müssen der Querschnitt des Kabels und die Kapazität des Steckverbinders dem maximalen Kurzschlussstrom des Systems entsprechen, da sonst Kabel und Steckverbinder bei hohen Stromstärken überhitzen können.

Die Gleichstromsicherungen müssen für den Überstromschutz des Solarpanels geeignet sein.

Unter normalen Außenbedingungen weichen die vom Solarpanels erzeugten Stromstärken und Spannungen je nach Wetter und Umgebungstemperatur von den im Datenblatt aufgeführten Werten ab. Die auf dem Typenschild angegebenen Daten sind erwartete Werte unter Standard-Testbedingungen (STC).

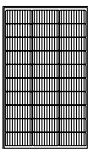
## 5. Installation und Vorsichtsmaßnahmen

Vor der Installation müssen Informationen über alle Anforderungen und vorab notwendigen Genehmigungen für den Standort, die Installation und die Inspektion von den zuständigen Behörden eingeholt werden.

**Achten Sie bei der Installation des Produkts auf dem Dach eines Fahrzeugs darauf, dass das Dach vor Feuer geschützt ist:** Am Installationsort dürfen keine brennbaren Materialien vorhanden sein. Die positiven und negativen Anschlüsse des Solarpanels müssen vor der Installation vollständig getrennt werden. Verwenden Sie nur isoliertes, für Elektroinstallationen zugelassenes Werkzeug.

### 5.1 Auspacken und Vorsichtsmaßnahmen

**Öffnen Sie vorsichtig die Solarverpackung und achten Sie darauf, alle Anweisungen auf der Verpackung zu befolgen. Der Verpackungsinhalt und die Liste lauten wie folgt:**



Solarpanel



Benutzerhandbuch  
und Garantiekarte

**Hinweis:**

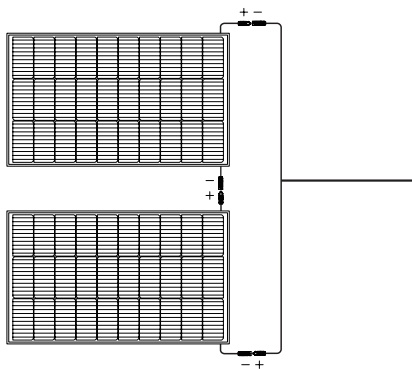
1. Steigen, gehen, stehen und springen Sie nicht auf Panele, da ungleichmäßige Belastungen Mikrorisse an der Batteriezelle verursachen und die Zuverlässigkeit und Benutzererfahrung des Panele beeinträchtigen können.
2. Setzen Sie keine scharfen Solarpanel ein, um insbesondere die Rückseite des Solarpanels zu ritzen und zu schneiden.
3. Halten Sie alle elektrischen Kontakte und Steckverbinder sauber und trocken.

## 5.2 Installationsanforderungen

Achten Sie darauf, dass die Solarpaneele den allgemeinen systemtechnischen Anforderungen entsprechen und dass andere Systemkomponenten die Panele weder mechanisch noch elektrisch beschädigen können.

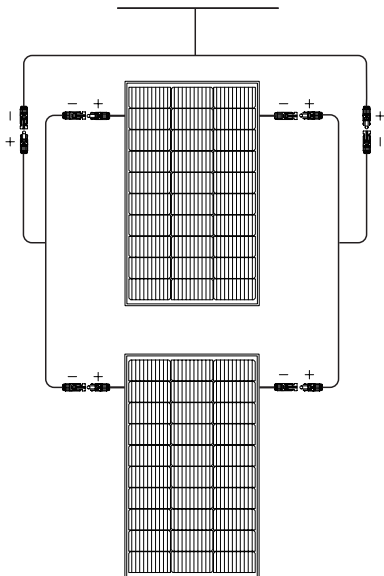
Solarpaneele können zur Steigerung der Spannung in Reihe oder zur Steigerung der Stromstärke parallel geschaltet werden. Bei einer Reihenschaltung wird der positive Anschluss eines Panels mit dem negativen Anschluss eines zweiten Panels verbunden. Bei einer Parallelschaltung sind die positiven Anschlüsse eines Moduls und eines zweiten Panels verbunden, ebenso wie die negativen Anschlüsse.

**Im Schaltplan ist eine Reihenschaltung dargestellt:**





Im Schaltplan ist eine Parallelschaltung dargestellt:



**Es wird empfohlen, Solarpaneele mit der gleichen elektrischen Leistung in derselben Reihe zu schalten, um Leistungsverluste aufgrund der FehlAbstimmung zu vermeiden.**

Blockieren Sie nicht die Ablaufbohrung unten am Modul (siehe Zeichnung unten).

Vermeiden Sie Verschattungen, da bereits eine geringe Verschattung zu einer Leistungssenkung führt: Achten Sie darauf, dass die Sonne auch am kürzesten Tag des Jahres auf das Solarpanel scheinen kann.

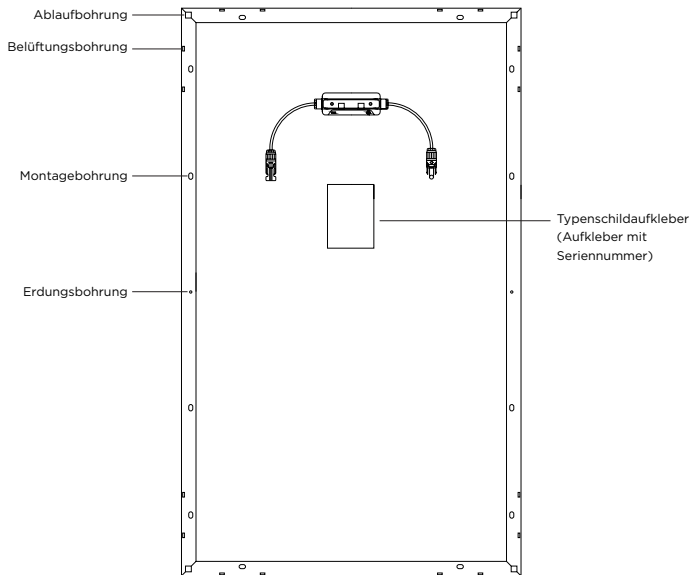
Für die größtmögliche Stromausbeute sollte das Solarpanel direkt nach Süden zeigen, wenn es sich in der nördlichen Hemisphäre befindet, und direkt nach Norden, wenn es sich in der südlichen Hemisphäre befindet. Angaben zum besten Neigungswinkel der Anlage finden Sie in standardmäßigen regionalen Installationsanleitungen für Photovoltaikanlagen oder in den Hinweisen von bekannten Installateuren oder Systemintegratoren von Photovoltaikanlagen.

## 5.3 Vorsichtsmaßnahmen zur Installation

**Alle folgenden Installationsmethoden dienen nur als Referenz und entsprechendes Installationszubehör muss separat erworben werden. Jeder Systeminstallateur sollte sicherstellen, dass die Installation während der Arbeit alle Spezifikationen einhält.**

Das Modul muss mithilfe der im Rahmen des Photovoltaikmoduls dafür vorgesehenen Montagebohrungen montiert werden (12 Bohrungen, L x B: 11 x 7 mm [0,4 x 0,3 Zoll]). Die häufigste Montagemethode ist die Montage des Moduls mithilfe der vier symmetrischen Bohrungen in der Nähe der Rahmenmitte.

## Wie unten gezeigt:



### Hinweis:

1. Die Löcher in der Mitte jeder langen Kante werden für die Erdung verwendet.
2. Die Module sollten fest montiert werden, um allen möglichen Belastungen, darunter durch Wind und Schnee, standzuhalten.
3. Der Abstand zwischen den Modulen sollte 12,7 mm (0,5 Zoll) oder mehr betragen.

### Jedes Modul verfügt über zwei Schilder mit den folgenden Informationen:

Typenschildaufkleber: Enthält Informationen über Produkttyp, elektrische Parameter, Gewicht, Abmessungen usw., die unter Standard-Testbedingungen gemessen wurden.

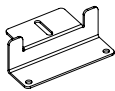
Aufkleber mit Seriennummer: Jedes Modul verfügt über eine eindeutige Seriennummer.

**Hinweis: Entfernen Sie keine Schilder vom Photovoltaikmodul. Beim Entfernen der Schilder erlischt die Produktgarantie von EcoFlow.**

## 5.4 Schraubenmontage

Die Installation erfordert die Verwendung eines speziellen Schraubensatzes (separat erhältlich), der die folgenden Teile enthält:

Vier Z-förmige Halterungen, vier M6-Sechskantschrauben (mit Muttern), vier große M6-Unterlegscheiben, vier flache M6-Unterlegscheiben, vier M6-Federscheiben und acht selbstschneidende Sechskantschrauben (5,5 x 38 mm [0,2 x 1,5 Zoll])



Z-förmige  
Halterung, 4 Stk.



Sechskantschraube  
(mit Mutter), 4 Stk.



Große M6-  
Unterlegscheibe,  
4 Stk.



Flache M6-  
Unterlegscheibe,  
4 Stk.



M6-  
Federscheibe,  
4 Stk.



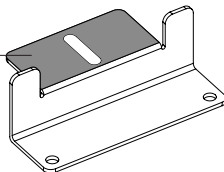
Selbstschneidende  
Sechskantschraube,  
8 Stk.

- Sie müssen die M6-Edelstahlschraube, die Mutter und die Unterlegscheibe für die Montagebohrung auf der Rückseite des Modulrahmens verwenden.
- Für die Befestigung ist geeignetes korrosionsbeständiges Material aus Edelstahl zu verwenden.
- Bohren Sie keine Löcher in den Rahmen des Moduls und verändern Sie diesen nicht, da dadurch die Garantie erlischt.
- Jedes Modul muss an vier oder mehr sich gegenüber liegenden Punkten fest montiert werden.
- Achten Sie bei der Montage auf dem Dach oder an der Karosserie eines Fahrzeugs darauf, dass zwischen dem Photovoltaikmodul und dem Dach oder der Karosserie ein Abstand bleibt, um die Luftzirkulation und die Wärmeableitung zu ermöglichen.

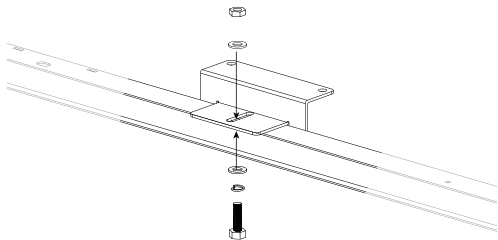
Die Schritte sind wie folgt:

- Den Konstruktionsklebstoff mit einer manuellen Klebepistole auf den entsprechenden Bereich der Z-förmigen Halterung (die Oberfläche, die mit dem Rahmen in Berührung kommt) auftragen.

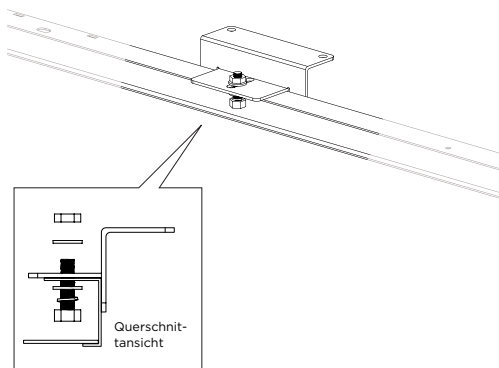
Verklebebereich



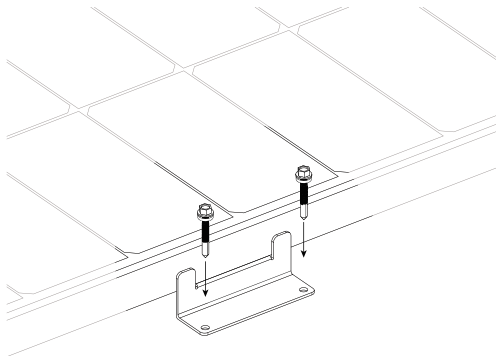
2. Die Z-förmige Halterung in die entsprechende Position bringen und die M6-Sechskantschraube, die M6-Unterlegscheibe und die M6-Federscheibe montieren.



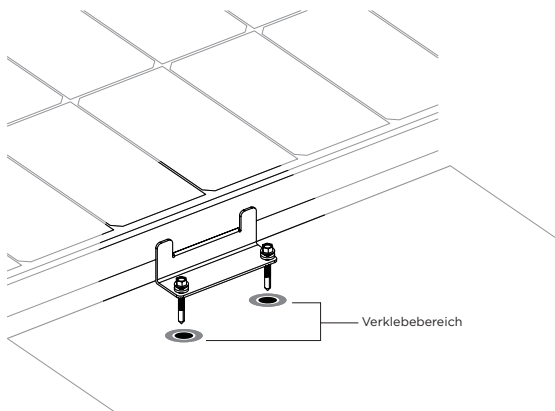
3. Dann die große Unterlegscheibe aufsetzen und die Mutter festziehen.



4. Das Photovoltaikmodul mit der Z-förmigen Halterung auf dem Fahrzeugdach in Einbaulage positionieren und in das Dach Löcher bohren, die den Positionen der Bohrungen im Sockel der Z-förmigen Halterung entsprechen.



5. Die Löcher reinigen und den Klebstoff auftragen (darauf achten, dass der Konstruktionsklebstoff um die Öffnung herum aufgetragen wird).



7. Nachdem der Sockel der Z-förmigen Halterung auf die Löcher im Dach ausgerichtet wurde, die selbstschneidenden Sechskantschrauben (5,5 x 38 mm [0,2 x 1,5 Zoll], mit Kunststoffring) montieren und alles  $\geq 24$  Stunden ruhen lassen, bis der Konstruktionsklebstoff ausgehärtet ist (Umgebungstemperatur  $\leq 30$  °C [86 °F], Luftfeuchte  $\leq 70$  %).
8. Sobald der Konstruktionsklebstoff ausgehärtet ist, den überschüssigen Klebstoff von Sockel und Dach entfernen. Weitere Photovoltaikmodule montieren und je nach Bedarf in Reihe oder parallel schalten.

## 6. Inbetriebnahme und Fehlerbehebung

### EcoFlow empfiehlt, die gesamte Inbetriebnahme und Wartung des Solarpanels von qualifizierten PV-Technikern durchführen zu lassen!

Prüfen Sie die Solarpaneele, bevor Sie sie an die Anlage anschließen. Prüfen Sie vor der Inbetriebnahme der Anlage stets alle elektrischen und elektronischen Komponenten der Anlage und befolgen Sie stets die Anweisungen jedes Anlagenkomponente.

Um die elektrische Leistung eines Solarpanels zu testen, wird dieses dem Sonnenlicht ausgesetzt, wobei es nicht an eine Last angeschlossen sein darf. Achten Sie bei der Durchführung dieser Messungen auf Ihre persönliche Sicherheit.

Wenn eine ungewöhnliche Energieerzeugung auftritt, beheben Sie das Problem, indem Sie die folgenden Schritte ausführen:

- Prüfen Sie alle Verdrahtungen auf Stromkreisunterbrechungen und Wackelkontakte.
- Prüfen Sie die Leerlaufspannung jedes Solarpanels.
- Prüfen Sie die Leerlaufspannung, wenn das Solarpanels vollständig mit einem undurchsichtigem Material bedeckt ist, entfernen Sie dann das undurchsichtige Material, messen Sie die Leerlaufspannung an den Anschlüssen und vergleichen Sie die Werte.

Weicht die Spannung zwischen den Anschlüssen bei einer Bestrahlungsstärke von  $\geq 700 \text{ W/m}^2$  ( $65,0 \text{ W/ft}^2$ ) um mehr als 5 % vom Nennwert ab, deutet dies auf eine fehlerhafte elektrische Verbindung hin.

## 7. Produktspezifikationen

### 100-W-Einzelglas-Photovoltaikmodul

**Nennleistung:** 100 W (+/-5 W)

**Leerlaufspannung:** 20,3 V

**Kurzschlussstrom:** 6,3 A

**Maximale Betriebsspannung:** 17,1 V

**Maximaler Betriebsstrom:** 5,9 A

**Temperaturkoeffizient der Nennleistung:** -0,39 %/°C

**Temperaturkoeffizient der Leerlaufspannung:**  
-0,33 %/°C

**Temperaturkoeffizient des Kurzschlussstroms:**  
0,06 %/°C

**Maximale Systemspannung:** 600 V DC (UL)

**Maximaler Sicherungsstrom:** 15 A

### Allgemeines

**Gewicht des Solarpanels:** ca. 6,2 kg (13,7 lb)

**Abmessungen:** 98 x 58,6 x 3 cm (38,6 x 23,1 x 1,2 Zoll)

### Prüfung und Zertifizierung



\*Standard-Testbedingungen:  $1.000 \text{ W/m}^2$  ( $92,9 \text{ W/ft}^2$ ), Luftmassenkoeffizient AM1,5, 25 °C

## Temperaturkoeffizienten

Temperaturkoeffizient der Leistung	$-(0,39+/-0,02) \%/k$
Temperaturkoeffizient der Spannung	$-(0,33+/-0,03) \%/k$
Temperaturkoeffizient des Stroms	$+(0,06+/-0,015) \%/k$

## 8. Häufig gestellte Fragen

### Warum liefert das 100-W-Solarpanel bei der tatsächlichen Nutzung nicht so viel Leistung wie angegeben?

In den meisten Fällen ist es normal, dass ein Solarpanel nicht seine volle Nennleistung liefert. Einige der Gründe dafür sowie einige Vorschläge, wie Sie sich dem Nennleistungswert nähern, sind unten aufgeführt.

1. **Lichtintensität:** Die Lichtmenge, die auf das Solarpanel trifft, führt zu Schwankungen der Ausgangsleistung. Es ist wahrscheinlicher, dass Sie eine Ausgangsleistung erzielen, die nahe an jener unter Testbedingungen liegt, wenn Sie das Produkt statt morgens oder nachmittags an einem wolkenlosen Tag in der Mittagssonne verwenden. Auch die Wetterbedingungen wirken sich darauf aus, wie viel Sonnenlicht auf das Solarpanel trifft. Beispielsweise ist es bei diesigem, trübem oder regnerischem Wetter viel unwahrscheinlicher, dass Sie die Nennleistung erreichen.
2. **Oberflächentemperatur.** Die Oberflächentemperatur des Solarpanel beeinflusst dessen Ausgangsleistung. Je niedriger die Oberflächentemperatur des Solarpanels ist desto mehr Strom wird erzeugt. Solarpaneele erzeugen beispielsweise im Winter mehr Strom als im Sommer – das ist völlig normal. Solarpaneele erreichen im Sommer in der Regel Temperaturen von annähernd 60°C (140 °F). Dadurch wird die Nennleistung trotz der stärkeren Sonneneinstrahlung um 10 bis 15 % reduziert.
3. **Sonneneinfallswinkel.** Idealerweise wird das Solarpanel so installiert, dass das Licht senkrecht auf die Oberfläche trifft, um eine bessere Leistung zu erzielen. Die meisten Solarpaneele auf den Dächern von Wohnmobilen können jedoch nur wie Kacheln flach verbaut werden, wodurch die Solarpaneele nicht den optimalen Winkel haben. Dies führt zu einem Leistungsverlust von etwa 5 bis 15 %.
4. **Modulverschattung.** Die Oberfläche des Solarpanels sollte während des Betriebs nicht verschattet sein. Verschattungen durch Fremdkörper und Glas können die Ausgangsleistung erheblich reduzieren. Leistungsprobleme aufgrund von Fehlfunktionen des Solarpanels : Wenn das Modul immer noch keinen Strom erzeugt oder seine Ausgangsleistung weit unter den erwarteten Nennleistungswerten bleibt, nachdem die oben genannten Probleme behoben wurden, liegt möglicherweise ein Problem mit dem Solarpanel selbst vor. Wenden Sie sich in diesem Fall an den Kundendienst.

### Wie viel Strom kann das 100-W-Solarpanel unter normalen Bedingungen erzeugen?

Das hängt in erster Linie von den Wetterbedingungen ab. Generell gilt: An einem klaren und wolkenlosen Tag erzeugt Sonnenlicht, das in einem 90-Grad-Winkel auf das Solarpanel trifft, in der Regel 70 bis 80 Watt Leistung im 100-W-Solarpanel (die aktuellen Lichtverhältnisse liegen normalerweise bei 800 bis 900 W/m<sup>2</sup> (74,3 bis 83,6 W/ft<sup>2</sup>) bei einer Modultemperatur von 50 °C (32 °F) unter Testbedingungen. Die Nennleistungswerte unter Testbedingungen basieren auf 1000 W/m<sup>2</sup> (92,9 W/ft<sup>2</sup>) bei einem Luftmassenkoeffizienten von 1,5 AM und einer Modultemperatur von 25 °C. In den Wintermonaten wurden in der Mittagssonne in der Regel Leistungswerte nahe den Nennwerten beobachtet.

### Welcher Betriebstemperaturbereich und welche Vorsichtsmaßnahmen gelten für die Verwendung des 100-W-Solarpanel?

Die Betriebstemperatur des Solarpanel beträgt -20 °C bis +85 °C (-4 °F bis +185 °F). Bitte lesen Sie das

Produkthandbuch vor der Verwendung sorgfältig durch. Solarpanel bestehen aus monokristallinen Silizium-Wafern. Achten Sie darauf, dass die Solarpanel während der Installation und der Nutzung nicht auf den Boden geschlagen, betreten oder von Fremdkörpern getroffen werden, und setzen Sie sich nicht auf ihre Oberfläche, weil es dabei zu Beschädigungen der monokristallinen Silizium-Wafer kommen kann, was sich auf deren Verwendung auswirkt. Gewaltsame Beschädigungen sind von der kostenfreien Garantie nicht abgedeckt.

#### **Kann ich 100-W-Solarpanel in Serie schalten?**

Ja, aber das wird nicht empfohlen. Bitte lesen Sie die Anweisungen im Benutzerhandbuch sorgfältig durch. Beachten Sie dabei insbesondere die Anforderungen an die Energiespeichersteuerung und die Einschränkungen bei der Solarpanel-Leistung, damit Solarpanel mit unterschiedlichen Stromstärken nicht in Reihe geschaltet werden, um Leistungsverluste zu vermeiden.

#### **Kann ich 110-W-Solarpanel parallel schalten?**

Ja. Durch die parallele Schaltung von Solarpanels wird die Leistung durch die Verdopplung des Stroms gesteigert. Die maximale Anzahl von 100-W-Solarpanelen, die in einer Parallelschaltung möglich sind, hängt von der Steuerung und der Energiespeicherausstattung Ihres Wohnmobils ab. Bitte achten Sie darauf, dass das in Ihrem Fahrzeug verwendete Energiespeichersystem einen höheren Eingangsstrom unterstützt, und verwenden Sie Drähte mit einem dem Ausgangsstrom entsprechenden Durchmesser, um die Module sicher parallel zu schalten.

#### **Muss ich das 100-W-Solarpanels regelmäßig reinigen?**

Ja. Auf der Oberfläche des Solarpanels kann es nach längerer Verwendung im Freien zu Staub- und Fremdkörperablagerungen kommen, die das Licht teilweise blockieren und die Leistungsabgabe verringern. Eine regelmäßige Reinigung kann dabei helfen, die Oberfläche des Solarpanels sauber und frei von Fremdkörpern zu halten und eine höhere Leistungsabgabe zu erzielen.

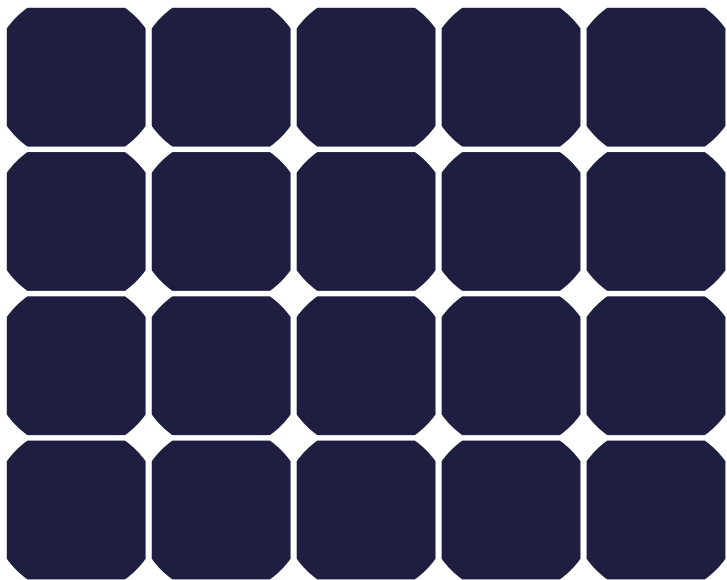
## 9. Wartung

**Wir empfehlen Ihnen, die folgenden Wartungsarbeiten durchzuführen, um eine optimale Leistung des Solarpanels zu gewährleisten:**

1. Reinigen Sie die Glasoberfläche des Solarpanels bei Bedarf mit Wasser und einem weichen Schwamm oder Tuch. Hartnäckige Verschmutzungen können mit einem milden Reinigungsmittel entfernt werden. Verwenden Sie keine scharfen und/oder harten Reinigungswerkzeuge. Es wird empfohlen, das Solarpanels nur morgens oder abends zu reinigen, wenn die Sonneneinstrahlung schwach ist (Bestrahlungsstärke  $\leq 200 \text{ W/m}^2$  [ $18,6 \text{ W/ft}^2$ ]).
2. Überprüfen Sie die elektrischen und mechanischen Verbindungen alle sechs Monate, um sicherzustellen, dass sie sauber, fest und unbeschädigt sind.
3. Vermeiden Sie, dass Blätter und andere Gegenstände die Oberfläche des Solarpanels verschatten. Eine teilweise Verschattung des Solarpanels wirkt sich nicht nur auf die Effizienz der Stromerzeugung aus, sondern kann an einigen Stellen auch zu übermäßig starkem Strom und zu einem Durchbrennen von Komponenten führen.

**Lassen Sie im Falle von Problemen die Wartungsanweisungen für alle in der Anlage verwendeten Komponenten wie Halterungen, Ladungsregler, Wechselrichter, Batterien usw. stets durch einen qualifizierten Experten untersuchen und durchführen.**





# ≡ COFLOW

## Panneau solaire à simple vitrage 100 W

**Contactez-nous :**

[ecoflow.com](http://ecoflow.com)

NA/LA/APAC/MEA: [support@ecoflow.com](mailto:support@ecoflow.com)

EU: [support.eu@ecoflow.com](mailto:support.eu@ecoflow.com)

AU: [support.au@ecoflow.com](mailto:support.au@ecoflow.com)



## Table des matières

<b>1 Objectif</b>	1
<b>2 Clause de non-responsabilité</b>	1
<b>3 Informations générales de sécurité</b>	1
<b>4 Précautions de sécurité</b>	2
<b>5 Procédure d'installation et précautions</b>	
5.1 Déballage et précautions	2
5.2 Conditions préalables à l'installation	3
5.3 Précautions d'installation	4
5.4 Pose des boulons	6
<b>6 Mise en service et dépannage</b>	9
<b>7 Caractéristiques du produit</b>	9
<b>8 Foire aux questions</b>	10
<b>9 Entretien</b>	11

## 1. Objectif

Ce manuel contient des informations sur les composants des systèmes d'énergie solaire et leur installation. Assurez-vous de lire et de bien comprendre ce manuel avant d'acheter et d'installer les panneaux pour vous assurer de les utiliser correctement. Toute utilisation incorrecte peut causer des blessures graves pour l'utilisateur ou d'autres personnes, endommager le produit ou entraîner des pertes matérielles.

Si vous avez des questions, n'hésitez pas à nous contacter pour plus de précisions et d'explications.

Lors de l'installation des modules, les installateurs doivent suivre toutes les précautions de sécurité spécifiées dans ce manuel et toutes les réglementations locales. Avant d'installer des systèmes photovoltaïques solaires, les installateurs doivent connaître les exigences mécaniques et électriques de ces systèmes.

Après avoir lu ce manuel, conservez-le dans un endroit sûr pour pouvoir vous y référer ultérieurement pour les informations d'entretien et de maintenance.

Ce document s'applique aux séries de modules solaires suivantes : EF-SG-M100

## 2. Clause de non-responsabilité

Étant donné que l'utilisation de ce manuel ainsi que les conditions ou les méthodes d'installation, de fonctionnement, d'utilisation et d'entretien des produits photovoltaïques (PV) peuvent dépasser le contrôle d'EcoFlow, EcoFlow n'assume aucune responsabilité pour de telles installations et opérations non standard, et décline expressément toute perte, tout dommage et toute exigence d'entretien en découlant ou qui y sont liés de quelque manière que ce soit.

EcoFlow ne peut être tenu responsable de toute violation de brevets ou autres droits tiers pouvant résulter de l'adoption de méthodes d'installation, d'accessoires, etc. qui ne sont pas fournis par notre société lors de l'installation et de l'utilisation.

Les informations sur les produits et les exemples d'installation de ce manuel sont fournis sur la base des connaissances et de l'expérience d'EcoFlow et de nos partenaires et sont considérés comme fiables. Cependant, les restrictions et recommandations contenues dans ces informations, y compris les spécifications du produit, ne constituent pas une garantie expresse ou implicite.

Avant d'utiliser le produit, veuillez lire attentivement le manuel d'utilisation et la clause de non-responsabilité de ce produit. Une fois que vous aurez utilisé ce produit, il sera considéré que vous avez compris, reconnu et accepté toutes les conditions et le contenu de ce document, et l'utilisateur sera tenu responsable de ses actions et de toutes les conséquences qui en découlent. Par la présente, EcoFlow décline toute responsabilité en cas de pertes dues à une utilisation du produit non conforme au manuel d'utilisation par l'utilisateur.

Sous réserve du respect des lois et réglementations, notre entreprise a le droit final d'interpréter ce document et tous les documents relatifs à ce produit. Toute mise à jour, révision ou réimpression du contenu de celui-ci, le cas échéant, sera effectuée sans préavis et les utilisateurs devront consulter le site officiel d'EcoFlow pour obtenir les dernières informations concernant le produit.

## 3. Informations générales de sécurité

Les systèmes photovoltaïques solaires doivent être installés uniquement par du personnel qualifié possédant les compétences et les connaissances professionnelles nécessaires. Tous les modules solaires sont équipés d'un boîtier de raccordement connecté en permanence et de fils de 2,5 mm<sup>2</sup>. Les installateurs doivent assumer tous les risques de blessure pouvant survenir pendant l'installation, y compris, mais sans s'y limiter, le risque de choc électrique.

Lorsqu'il est exposé à la lumière directe du soleil, un seul module peut générer des tensions continues supérieures à 24 V. L'exposition à des tensions continues de 24 V ou plus est potentiellement dangereuse. Un arc peut se créer lors de la déconnexion des fils connectés aux composants PV exposés à la lumière du soleil. Un tel arc peut provoquer des brûlures ou un incendie. Veuillez faire preuve de prudence, sinon cela pourrait entraîner d'autres problèmes. Il est donc important de vous protéger de l'électricité !

Les modules solaires convertissent l'énergie solaire en électricité en courant continu et sont conçus pour une utilisation en extérieur. Les modules peuvent être installés sur un objet extérieur fixe, et le concepteur et l'installateur du système seront responsables de la conformité de la conception de leur structure de support.

N'essayez pas de démonter le module ou de retirer les plaques signalétiques ou les composants qui y sont fixés. N'appliquez pas de peinture, d'adhésifs ou de substances qui empêchent la cellule de la batterie de recevoir la lumière sur la surface réceptrice de lumière du module.

N'exposez pas la surface du module à une lumière solaire amplifiée et artificiellement centralisée.

Lors de l'installation de systèmes, respectez toutes les lois et réglementations locales, régionales et nationales. Lorsque vous les installez sur un véhicule ou un bateau, veuillez respecter les lois et réglementations locales et nationales en vigueur.

## 4. Précautions de sécurité

Lorsque la lumière brille sur la surface de réception de lumière du module solaire, le module solaire génère de l'électricité en courant continu avec une tension supérieure à 24 V. Si les modules sont connectés en série, la tension totale est égale à la somme de la tension de chaque module. Si les modules sont connectés en parallèle, le courant total est égal à la somme du courant de chaque module.

Lors du transport et de l'installation de composants mécaniques et électriques, veillez à tenir les enfants éloignés du système et du site d'installation.

Il est recommandé que la surface de réception de la lumière du module soit entièrement recouverte d'un matériau opaque pendant l'installation et que les bornes positive et négative soient débranchées afin d'éviter tout problème lié à la production d'énergie.

Lors de l'installation ou du dépannage d'un système PV, ne portez pas de bagues métalliques, de sangles, de boucles d'oreilles, d'anneaux de nez, d'anneaux à lèvres ou d'autres dispositifs métalliques, et utilisez uniquement des outils isolés approuvés pour l'installation électrique.

Veillez respecter les consignes de sécurité pour tous les autres composants utilisés dans le système, y compris les câbles, les connecteurs, les contrôleurs, les régulateurs de charge, les inverseurs, les batteries et autres batteries rechargeables, etc.

Utilisez uniquement l'équipement, les connecteurs, le câblage et les supports appropriés applicables à l'installation de ce système de module solaire. Utilisez toujours des modules du même type dans un système PV particulier. Des diodes de dérivation ont été intégrées dans le boîtier de raccordement pour tous les modules.

Pour tout module simple ou combinaison de plusieurs modules connectés en série ou en parallèle, la section transversale du câble et la capacité du connecteur doivent correspondre au courant de court-circuit maximum du système, sinon le câble et le connecteur risquent de surchauffer à des courants élevés.

Les fusibles CC doivent être adaptés à la valeur nominale de protection contre les surintensités du module.

Dans des conditions extérieures normales, les courants et les tensions générés par le module sont différents de ceux répertoriés dans la fiche technique, en fonction de la météo et de la température ambiante. Les données spécifiées sur la plaque signalétique sont des valeurs attendues dans des conditions de test standard (STC).

## 5. Procédure d'installation et précautions

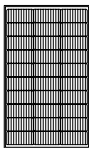
Avant l'installation, obtenez des informations sur les exigences et les approbations préalables pour le site, l'installation et l'inspection auprès des autorités compétentes.

**Lors de l'installation du produit sur le toit d'un véhicule, assurez-vous que le toit est protégé contre les incendies :** le site d'installation doit être exempt de matériaux inflammables. Les bornes positive et négative du panneau solaire doivent être complètement débranchées avant l'installation. Utilisez uniquement des outils isolés approuvés pour l'installation électrique.

### 5.1 Déballage et précautions

**Déballer soigneusement le panneau solaire et assurez-vous de suivre toutes les instructions figurant sur l'emballage. Le contenu est répertorié comme suit :**

Un panneau solaire, quatre supports en Z, quatre boulons hexagonaux M6 (avec écrous), quatre grandes rondelles M6, quatre rondelles plates M6, quatre rondelles à ressort M6 et huit vis auto-perceuses hexagonales (5,5\*38 mm).



Panneau solaire



Manuel d'utilisation et carte de garantie

**Remarque :**

1. Ne marchez pas, ne sautez pas et ne vous tenez pas debout sur un module, car des contraintes irrégulières peuvent avoir un impact sur les microfissures de la cellule de la batterie et, donc, sur la fiabilité du module et l'expérience utilisateur.
2. N'utilisez pas d'outils pointus pour marquer, couper, trancher ou entailler le module, en particulier la plaque arrière.
3. Gardez tous les contacts et connecteurs électriques propres et secs.

## 5.2 Conditions préalables à l'installation

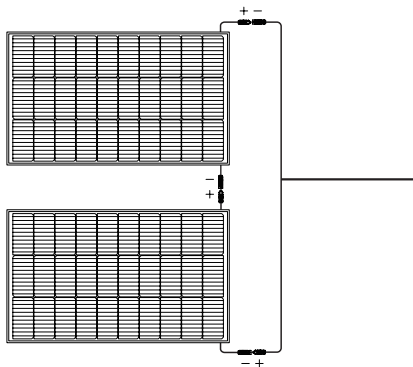
Assurez-vous que les modules sont conformes aux exigences techniques générales du système et que les autres composants du système n'endommagent pas les modules mécaniquement ou électriquement.

Les modules peuvent être connectés en série pour augmenter la tension ou en parallèle pour augmenter le courant.

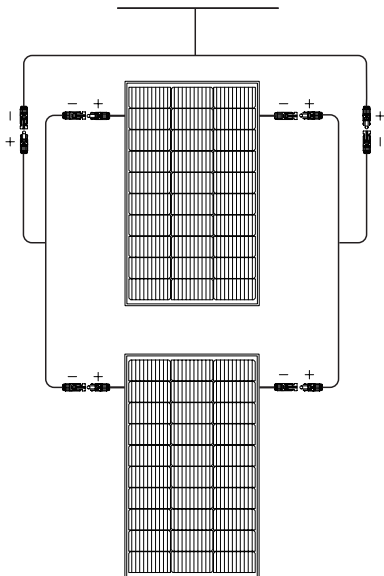
Dans une connexion en série, la borne positive d'un module est transférée à la borne négative du deuxième module.

Dans une connexion en parallèle, les bornes positives d'un module et du deuxième module sont connectées, de même que leurs bornes négatives.

**La connexion en série est illustrée sur le schéma suivant :**



La connexion parallèle est illustrée sur le schéma suivant :



**Il est recommandé de connecter des modules avec la même sortie électrique dans la même série pour éviter que des erreurs de correspondance ne créent un effet 1+1<2.**

N'obstruez pas le trou de vidange au bas du module (reportez-vous au schéma ci-dessous).

Évitez l'ombre, car même une légère ombre réduit la puissance de sortie ; assurez-vous que le soleil sera en mesure de briller sur le module, même le jour le plus court de l'année.

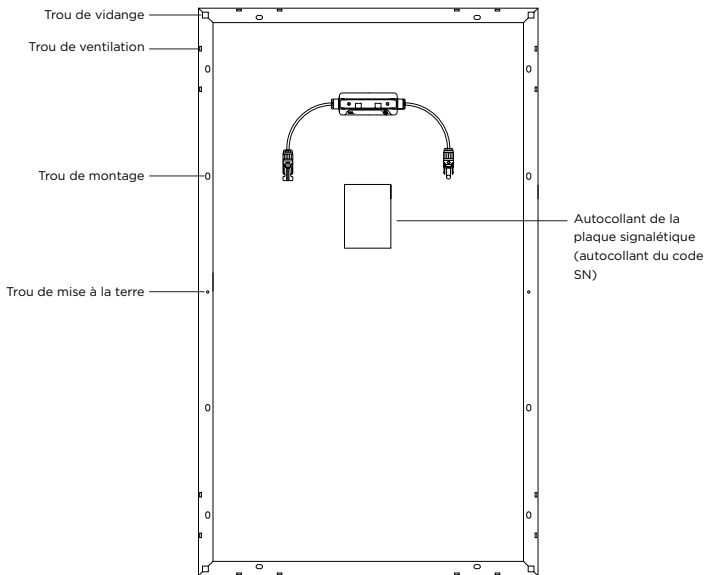
Pour générer le plus d'électricité possible, le module doit être orienté directement vers le sud s'il se trouve dans l'hémisphère nord et directement vers le nord s'il se trouve dans l'hémisphère sud. Pour plus de détails sur le meilleur angle d'élévation pour l'installation, reportez-vous au guide d'installation PV standard de votre région ou aux exigences d'angle d'installation d'un installateur ou intégrateur de système solaire réputé.

## 5.3 Précautions d'installation

**Toutes les méthodes d'installation suivantes sont fournies à titre indicatif uniquement et les accessoires d'installation associés doivent être achetés séparément. Tout installateur de système doit s'assurer que l'installation respecte toutes les spécifications pendant le travail.**

Le module doit être monté à l'aide des trous de montage réservés dans le châssis du module solaire (12 trous, L1 : 11 x 7 mm). La méthode d'installation la plus courante consiste à installer le module en utilisant les quatre trous symétriques près du centre du châssis.

Comme illustré ci-dessous :



#### Remarque :

1. Les trous au centre de chaque bord long sont utilisés pour la mise à la terre.
2. Les modules doivent être solidement fixés pour résister à toutes les charges prévues, y compris le vent et la neige.
3. L'espace entre les modules doit être de 12,7 mm ou plus.

#### Chaque module comporte deux étiquettes qui fournissent les informations suivantes :

Autocollant de la plaque signalétique : fournit des informations sur le type de produit, ainsi que les paramètres électriques, le poids, les dimensions, etc., mesurés dans des conditions de test standard.

Autocollant du code SN : chaque module possède un numéro de série unique.

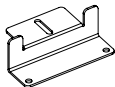
**Remarque : ne retirez aucune étiquette du panneau solaire ; le retrait d'une étiquette annule la politique de garantie du produit d'EcoFlow.**



## 5.4 Pose des boulons

L'installation nécessite l'utilisation d'un kit de boulons spécial (acheté séparément), qui comprend les éléments suivants :

Quatre supports en Z, quatre boulons hexagonaux M6 (avec écrous), quatre grandes rondelles M6, quatre rondelles plates M6, quatre rondelles à ressort M6 et huit vis autoperceuses hexagonales (5,5° 38 mm)



Support en Z  
x4



Boulon hexagonal  
(avec écrou) x4



Grande  
rondelle M6  
x4



Rondelle  
plate M6 x4



Rondelle à  
ressort M6  
x4



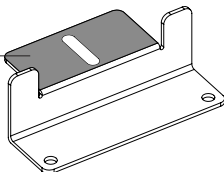
Vis autoperceuse  
hexagonale x8

- a. Vous devez utiliser le boulon, l'écrou et la rondelle en acier inoxydable M6, ainsi que le trou de montage à l'arrière du châssis du module.
- b. Pour la fixation, utilisez un matériau approprié résistant à la corrosion, qui doit être en acier inoxydable.
- c. Ne percez pas de trous ou ne modifiez pas le châssis du module car cela annulerait la garantie.
- d. Chaque module doit être solidement fixé en quatre points ou plus dans des directions opposées.
- e. Lors de l'installation sur le toit ou la carrosserie d'un véhicule, veillez à laisser un espace entre le panneau solaire et le toit ou la carrosserie pour faciliter la circulation de l'air et la dissipation de la chaleur.

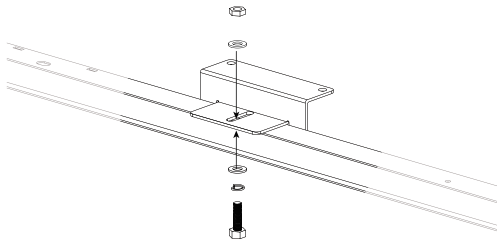
Les étapes sont les suivantes :

1. Utilisez un pistolet à colle manuel pour appliquer l'adhésif structurel sur la zone correspondante (la surface en contact avec le châssis) du support en Z.

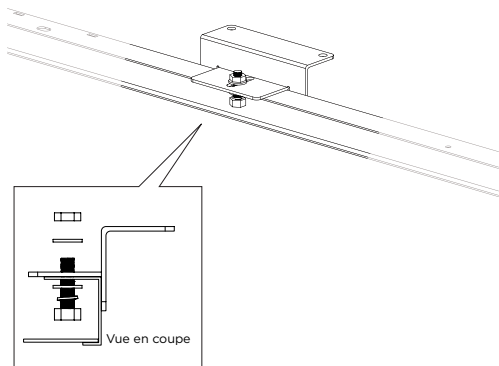
Zone de collage



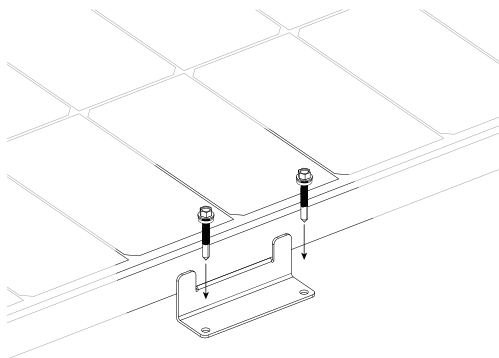
2. Placez le support en Z dans la position correspondante et posez la vis à tête hexagonale M6, la rondelle plate M6 et la rondelle à ressort M6.



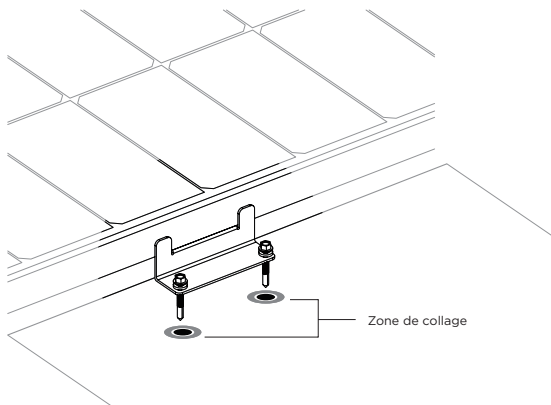
3. Placez ensuite la grande rondelle et serrez l'écrou.



4. Placez le panneau solaire avec le support en Z sur le toit du véhicule en position de pose, et percez des trous sur le toit dans la position correspondante du trou sur le socle du support en Z.



5. Nettoyez les trous et appliquez de l'adhésif (assurez-vous d'appliquer l'adhésif structurel autour du trou).



7. Après avoir fait correspondre le socle du support en Z avec les trous dans le toit, posez la vis auto-perceuse hexagonale (5,5\*38 mm, avec anneau en plastique), laissez-les en place pendant  $\geq 24$  h, et attendez que l'adhésif structurel durcisse [température ambiante  $\leq 30$  °C, humidité  $\leq 70$  % HR].
8. Une fois que l'adhésif structurel a durci, retirez l'excès d'adhésif sur le socle et le toit. Installez plus de panneaux solaires et connectez-les en série ou en parallèle si nécessaire.

## 6. Mise en service et dépannage

**EcoFlow recommande que toutes les opérations de mise en service et d'entretien du système de module solaire soient effectuées par des techniciens PV qualifiés !**

Testez les modules connectés avant de les connecter au système ; testez toujours tous les composants électriques et électroniques du système avant de mettre le système en service et suivez toujours les instructions fournies avec chaque pièce et chaque équipement.

Pour tester les performances électriques du module, celui-ci est généralement exposé à la lumière du soleil et ne doit pas être connecté à une charge. Faites attention à votre propre sécurité lorsque vous prenez ces mesures.

Si une production d'énergie anormale se produit, résolvez le problème en suivant les étapes ci-dessous :

- Vérifiez l'ensemble du câblage pour vous assurer de l'absence de circuit ouvert ou de mauvaises connexions.
- Vérifiez la tension de circuit ouvert de chaque module.
- Vérifiez la tension de circuit ouvert avec le module complètement recouvert d'un matériau opaque, puis retirez le matériau opaque et mesurez la tension en circuit ouvert au niveau de ses bornes et comparez les résultats.

Si la tension entre les bornes diffère de plus de 5 % de la valeur nominale à un éclairage énergétique  $\geq 700 \text{ W/m}^2$ , cela indique une mauvaise connexion électrique.

## 7. Caractéristiques du produit

### Panneau solaire à simple vitrage 100 W

**Puissance nominale :** 100 W (+/-5 W)

**Tension de circuit ouvert :** 20,3 V

**Courant de court-circuit :** 6,3 A

**Tension d'utilisation maximale :** 17,1 V

**Courant de fonctionnement maximum :** 5,9 A

**Coefficient de température de la puissance nominale :**

-0,39 %/°C

**Coefficient de température de tension de circuit ouvert :**

-0,33 %/°C

**Coefficient de température du courant de court-circuit :**

0,06 %/°C

**Tension maximale du système :** 600 VCC (UL)

**Courant maximal du fusible :** 15 A

### Généralités

**Poids du panneau solaire :** environ 6,2 kg

**Dimensions :** 98\*58,6\*3 cm

### Tests et certification



\*Conditions de test standard : 1 000 W/m<sup>2</sup>, AM1.5, 25 °C

## Spécifications de coefficient de température

<b>Coefficient de température de puissance</b>	<b>-(0,39+/-0,02)%/k</b>
<b>Coefficient de température de tension</b>	<b>-(0,33+/-0,03)%/k</b>
<b>Coefficient de température du courant</b>	<b>+(0,06+/-0,015)%/k</b>

## 8. Foire aux questions

### Pourquoi le panneau solaire de 100 W ne fournit-il pas autant d'énergie qu'indiqué lorsqu'il est utilisé ?

Dans la plupart des cas, il est normal qu'un panneau solaire ne fournisse pas la totalité de sa puissance nominale. Certaines des raisons pour lesquelles cela se produit, ainsi que quelques suggestions pour se rapprocher de la puissance nominale, sont présentées ci-dessous.

- 1. Intensité lumineuse.** La quantité de lumière frappant le panneau entraîne des fluctuations de la puissance de sortie. Vous êtes plus susceptible d'obtenir des valeurs de puissance nominale proches de celles obtenues dans des conditions de test lorsque vous utilisez le produit par temps clair, vers midi, que lorsque vous l'utilisez le matin ou plus tard dans l'après-midi. Les conditions météorologiques affectent également la quantité de lumière du soleil frappant le panneau. Par exemple, vous êtes beaucoup moins susceptible d'atteindre les valeurs de puissance nominale dans des conditions brumeuses, nuageuses ou pluvieuses.
- 2. Température de surface.** La température de surface du panneau solaire affecte également ses performances énergétiques. Plus la température de surface du panneau est basse, plus la puissance produite est élevée. Par exemple, les panneaux solaires génèrent plus d'énergie lorsqu'ils sont utilisés en hiver qu'en été, ce qui est tout à fait normal. Les panneaux solaires atteignent généralement des températures proches de 60 °C en été. Cela réduit la puissance nominale de 10 à 15 %, malgré les niveaux de lumière plus élevés frappant le panneau.
- 3. L'angle de la lumière du soleil.** Dans de bonnes conditions d'éclairage, le panneau solaire est capable de rester là où la lumière frappe perpendiculairement à la surface pour obtenir de meilleures performances lumineuses. Cependant, la plupart des panneaux solaires installés sur le toit d'un camping-car ne peuvent être installés que dans une configuration en tuiles, ce qui empêche l'installation du ou des panneaux à l'angle optimal. Cette différence entraînera une perte de puissance d'environ 5 à 15 %.
- 4. Ombrage du panneau.** La surface du panneau solaire ne doit pas se trouver dans l'ombre pendant l'utilisation. Les ombres causées par les corps étrangers et le verre peuvent réduire considérablement la puissance de sortie. Problèmes de performances provoqués par un dysfonctionnement des panneaux : si le panneau ne génère toujours pas d'énergie ou si son rendement reste bien inférieur aux valeurs de puissance nominale attendues après avoir résolu les problèmes ci-dessus, il peut y avoir un problème avec le panneau lui-même. Veuillez contacter l'assistance clientèle pour obtenir de l'aide.

### Quelle puissance le panneau solaire de 100 W peut-il générer dans des conditions normales ?

Cela dépend avant tout des conditions météorologiques. En règle générale, lors d'une journée dégagée sans nuages, la lumière du soleil qui frappe le panneau à un angle de 90° génère généralement une puissance de 70 à 80 W dans le panneau de 100 W (les conditions de luminosité actuelles sont normalement de 800 à 900 W/m<sup>2</sup>) avec une température de panneau de 50 °C dans des conditions de test. Les puissances nominales sont basées sur 1 000 W/m<sup>2</sup>) dans des conditions AM1.5 pour une température du panneau de 25 °C dans des conditions de test. Des valeurs de puissance de sortie proches des valeurs nominales sont normalement observées sous le soleil de midi en hiver).

### **Quelle est la plage de températures d'utilisation et les précautions d'utilisation pour le panneau de 100 W ?**

La température de fonctionnement du panneau solaire est comprise entre -20 °C et 85 °C. Veuillez lire attentivement le manuel du produit avant utilisation. Les panneaux solaires sont constitués de plaques de silicium monocristallin. Lors de l'installation et de l'utilisation, veuillez ne pas faire tomber les panneaux sur le sol, marcher dessus, les frapper avec des corps étrangers ou vous asseoir sur leur surface car de telles actions peuvent provoquer la fissuration des plaquettes de silicium monocristallin, ce qui affecterait l'utilisation. Les dommages causés par la force humaine ne sont pas couverts par la garantie gratuite.

### **Puis-je connecter des panneaux solaires de 100 W en série ?**

Oui, mais cela n'est pas recommandé. Veuillez lire attentivement les instructions dans le manuel d'utilisation, en prêtant une attention particulière aux exigences du contrôleur de stockage d'énergie et aux limitations de la sortie du panneau solaire, afin de ne pas utiliser les panneaux solaires avec différents courants en série sans libérer leur puissance et créer un effet 1+1<2.

### **Puis-je connecter des panneaux solaires de 100 W en parallèle ?**

Oui. La connexion de panneaux en parallèle augmente la puissance en doublant le courant. Le nombre maximal de panneaux de 100 W autorisés dans une connexion en parallèle dépend du contrôleur et de l'équipement de stockage d'énergie de votre véhicule de loisirs. Veuillez vous assurer que le système de stockage d'énergie utilisé dans votre véhicule supporte un courant d'entrée plus élevé, et utilisez des câbles d'un diamètre adapté au courant de sortie pour connecter solidement les panneaux en parallèle.

### **Dois-je nettoyer régulièrement le panneau solaire 100 W ?**

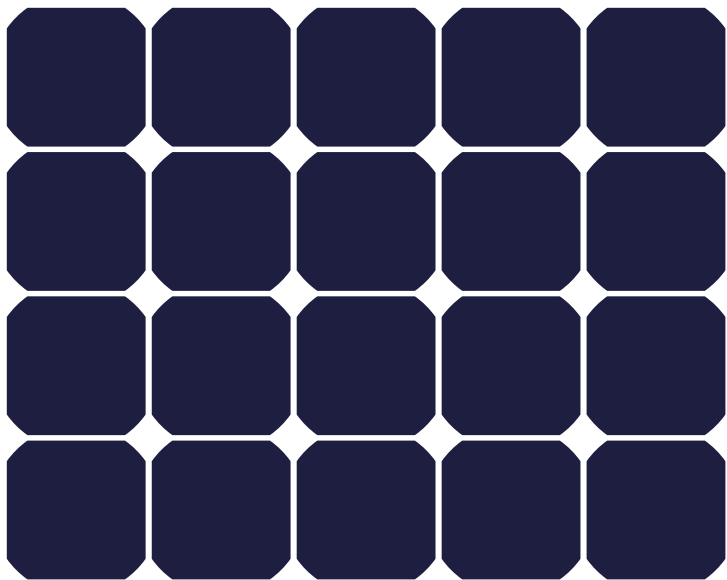
Oui. Il peut y avoir beaucoup de poussière et de corps étrangers sur la surface du panneau solaire après que le panneau a été utilisé à l'extérieur pendant une longue période, ce qui bloque la lumière dans une certaine mesure, réduisant la puissance de sortie. Un nettoyage régulier peut aider à maintenir la surface du panneau solaire propre et exempte d'obstructions et générer une puissance de sortie plus élevée.

## 9. Entretien

### **Nous vous recommandons d'effectuer les opérations d'entretien suivantes pour garantir des performances optimales du module :**

1. Nettoyez la surface en verre du module avec de l'eau et une éponge ou un chiffon doux si nécessaire. Les saletés tenaces peuvent être éliminées avec un détergent doux. Évitez d'utiliser des outils de nettoyage tranchants et/ou durs. Il est recommandé d'effectuer le nettoyage uniquement le matin et le soir lorsque l'ensoleillement est faible (éclairage énergétique  $\leq 200/m^2$ ).
2. Inspectez les connexions électriques et mécaniques tous les six mois pour vérifier qu'elles sont propres, sécurisées et intactes.
3. Empêchez les feuilles et autres objets de recouvrir la surface du panneau solaire. L'ombrage partiel du panneau solaire affectera non seulement l'efficacité de la production d'électricité, mais peut également provoquer un courant excessif à certains endroits et brûler les composants.

**En cas de problème, demandez toujours à un expert qualifié d'étudier la situation, et suivez les instructions d'entretien de tous les composants utilisés dans le système, tels que les supports, les régulateurs de charge, les inverseurs, les batteries, etc.**



# ≡ COFLOW

Pannello solare singolo in  
vetro da 100 W

**Contattateci all'indirizzo:**

[ecoflow.com](http://ecoflow.com)

NA/LA/APAC/MEA: [support@ecoflow.com](mailto:support@ecoflow.com)

EU: [support.eu@ecoflow.com](mailto:support.eu@ecoflow.com)

AU: [support.au@ecoflow.com](mailto:support.au@ecoflow.com)





<b>1 Scopo</b>	<b>1</b>
<b>2 Dichiarazione di non responsabilità</b>	<b>1</b>
<b>3 Informazioni generali sulla sicurezza</b>	<b>1</b>
<b>4 Precauzioni di sicurezza</b>	<b>2</b>
<b>5 Procedura di installazione e precauzioni</b>	
5.1 Disimballaggio e precauzioni	2
5.2 Requisiti di preinstallazione	3
5.3 Precauzioni per l'installazione	4
5.4 Installazione dei bulloni	6
<b>6 Messa in servizio e risoluzione dei problemi</b>	<b>9</b>
<b>7 Specifiche del prodotto</b>	<b>9</b>
<b>8 Domande frequenti</b>	<b>10</b>
<b>9 Manutenzione</b>	<b>11</b>

## 1. Scopo

Il presente manuale contiene informazioni sui componenti del sistema di energia solare e sulla loro installazione. Leggere attentamente e comprendere appieno il presente manuale prima di acquistare e installare i pannelli per accertarsi di utilizzarli correttamente. Qualsiasi uso non corretto può causare gravi lesioni all'utente o ad altri, danni al prodotto o danni materiali.

In caso di domande, non esitare a contattarci per ulteriori precisazioni e chiarimenti.

Durante l'installazione dei moduli, gli installatori devono attenersi a tutte le precauzioni di sicurezza specificate nel presente manuale e alle normative locali. Prima di installare i sistemi solari fotovoltaici, gli installatori devono avere familiarità con i requisiti meccanici ed elettrici di tali sistemi.

Dopo aver letto il presente manuale, conservarlo in un luogo sicuro per la futura consultazione delle informazioni su manutenzione e interventi.

Questo documento riguarda i moduli solari della serie riportata di seguito: EF-SG-M100

## 2. Dichiarazione di non responsabilità

Poiché l'uso del presente manuale, nonché le condizioni o i metodi di installazione, funzionamento, uso e manutenzione dei prodotti fotovoltaici (FV) possono esulare dal controllo di EcoFlow, EcoFlow non si assume alcuna responsabilità per installazioni e funzionamenti non conformi a quelli previsti, e declina espressamente ogni tipo di responsabilità per eventuali perdite, danni e interventi di manutenzione da essi derivanti o correlati in qualsiasi modo.

EcoFlow non è responsabile per eventuali violazioni di brevetti di terzi o di altre norme derivanti dall'adozione di metodi di installazione, accessori, ecc. non forniti dalla nostra azienda durante l'installazione e l'uso.

Le informazioni sul prodotto e gli esempi di installazione contenuti in questo manuale sono forniti sulla base delle conoscenze ed esperienze rilevanti di EcoFlow e dei nostri partner e sono considerati affidabili; tuttavia, le limitazioni e le raccomandazioni riportate in tali informazioni, comprese le specifiche del prodotto, non costituiscono alcuna garanzia esplicita o implicita.

Prima di utilizzare il prodotto, leggere attentamente il Manuale utente e la dichiarazione di non responsabilità per questo prodotto. Una volta che si utilizza questo prodotto, si ritiene che l'utente abbia compreso, riconosciuto e accettato tutti i termini e i contenuti del presente documento. L'utente è responsabile delle proprie azioni e di tutte le conseguenze che ne derivano. Con il presente documento, EcoFlow declina ogni responsabilità per eventuali perdite dovute all'utilizzo del prodotto da parte dell'utente in maniera non conforme a quanto indicato nel Manuale utente.

In conformità alle leggi e alle normative, la nostra azienda ha il diritto finale di interpretare questo documento e tutti i documenti relativi a questo prodotto. Qualsiasi aggiornamento, revisione o risoluzione del contenuto, se necessario, sarà effettuato senza preavviso. Gli utenti sono tenuti a visitare il sito ufficiale di EcoFlow per consultare le informazioni più aggiornate sul prodotto.

## 3. Informazioni generali sulla sicurezza

I sistemi solari fotovoltaici devono essere installati solo da personale qualificato con competenze e conoscenze professionali pertinenti. Tutti i moduli solari sono dotati di una scatola di derivazione permanentemente collegata e di fili da 0,004 in<sup>2</sup> (2,5 mm<sup>2</sup>). Gli installatori si assumono tutti i rischi di lesioni che potrebbero verificarsi durante l'installazione, compreso, ma non solo, il rischio di scosse elettriche.

Quando viene esposto alla luce diretta del sole, un singolo modulo può generare tensioni CC superiori a 24 V. L'esposizione a tensioni CC pari o superiori a 24 V è potenzialmente pericolosa. Quando si collegano i fili collegati ai componenti FV esposti alla luce diretta del sole potrebbero formarsi archi elettrici che possono causare ustioni o incendi. Lavorare prestando particolare attenzione, altrimenti potrebbero sorgere ulteriori problemi. È quindi importante proteggersi da eventuali scosse elettriche!

I moduli solari convertono l'energia solare in corrente elettrica continua e sono progettati per l'uso all'aperto. I moduli possono essere montati sulla parte superiore di un oggetto fisso esterno; il progettista del sistema e l'installatore sono responsabili della conformità del design della struttura di supporto.

Non tentare di smontare il modulo o di rimuovere eventuali targhette o componenti collegati.

Non applicare vernice, adesivi o sostanze sulla cella della batteria che impediscano alla luce di illuminare la superficie di ricezione della luce del modulo.

Non esporre la superficie del modulo alla luce solare amplificata, centralizzata artificialmente.

Durante l'installazione dei sistemi, rispettare tutte le leggi e le normative locali, regionali e nazionali. In caso di installazione su un veicolo o un'imbarcazione, attenersi alle leggi e alle normative locali e nazionali vigenti.

## 4. Precauzioni di sicurezza

Quando la superficie di ricezione della luce è illuminata, il modulo solare genera corrente elettrica continua con una tensione superiore a 24 V. Se i moduli sono collegati in serie, la tensione totale è uguale alla somma della tensione di ciascun modulo. Se i moduli sono collegati in parallelo, la corrente totale è uguale alla somma della corrente di ogni modulo.

Durante il trasporto e l'installazione dei componenti meccanici ed elettrici, tenere i bambini lontani dal sistema e dal sito di installazione.

Si consiglia di coprire interamente la superficie di ricezione della luce del modulo con materiale opaco durante l'installazione e di scollegare i terminali positivo e negativo per evitare il verificarsi di eventuali problemi derivanti dalla generazione di energia.

Durante l'installazione o la risoluzione dei problemi di un sistema FV, non indossare anelli, fascette, orecchini, piercing al naso, piercing sulle labbra di metallo o altri dispositivi metallici e utilizzare solo attrezzi isolati approvati per l'installazione elettrica.

Attenersi alle istruzioni di sicurezza relative a tutti gli altri componenti utilizzati nel sistema, inclusi cavi, connettori, centraline, regolatori di carica, invertitori, batterie e altre batterie ricaricabili, ecc.

Utilizzare solo l'attrezzatura, i connettori, il cablaggio e le staffe applicabili pertinenti all'installazione di questo sistema di moduli solari. Utilizzare sempre moduli dello stesso tipo in uno specifico sistema FV. Sono stati integrati dei diodi di bypass nella scatola di derivazione di tutti i moduli.

Per qualsiasi modulo singolo o combinazione di più moduli collegati in serie o in parallelo, l'area della sezione trasversale del cavo e la capacità del connettore devono essere adeguate alla corrente di cortocircuito massima del sistema altrimenti, in caso di correnti elevate, il cavo e il connettore si surriscaldano.

I fusibili CC devono essere idonei al valore nominale di protezione da sovracorrente del modulo.

In condizioni esterne normali, le correnti e le tensioni generate dal modulo differiscono da quelle elencate nella scheda tecnica, a seconda delle condizioni atmosferiche e della temperatura ambiente. I dati specificati sulla targhetta sono valori previsti in condizioni di prova standard (STC).

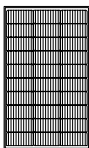
## 5. Procedura di installazione e precauzioni

Prima dell'installazione, ottenere informazioni su eventuali requisiti e autorizzazioni preliminari per il sito, l'installazione e l'ispezione da parte delle autorità competenti.

**Quando si installa il prodotto sul tetto di un veicolo, accertarsi che il tetto sia protetto contro gli incendi:** nel sito di installazione non devono essere presenti materiali infiammabili. I terminali positivo e negativo del pannello solare devono essere completamente scollegati prima dell'installazione. Per l'installazione elettrica, utilizzare solo utensili isolati approvati.

### 5.1 Disimballaggio e precauzioni

**Disimballare con cautela il pannello solare e seguire tutte le istruzioni riportate sulla confezione. I contenuti sono elencati di seguito:**



Pannello  
solare



Manuale utente e  
certificato di garanzia

**Nota:**

1. Non salire, camminare, stare in piedi o saltare su nessun modulo, poiché le sollecitazioni irregolari possono influire sulle micro incrinature della cella della batteria e sostanzialmente sull'affidabilità del modulo e sull'esperienza dell'utente.
2. Non utilizzare strumenti affilati per segnare, tagliare o accorciare il modulo, in particolare la piastra posteriore.
3. Mantenere tutti i connettori e i contatti elettrici puliti e asciutti.

## 5.2 Requisiti di preinstallazione

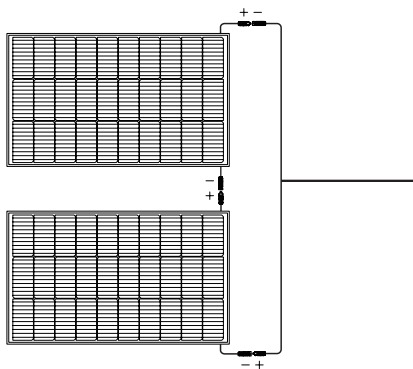
Verificare che i moduli siano conformi ai requisiti tecnici generali del sistema e che gli altri componenti del sistema non possano causare danni meccanici o elettrici ai moduli.

I moduli possono essere collegati in serie per aumentare la tensione o in parallelo per aumentare la corrente.

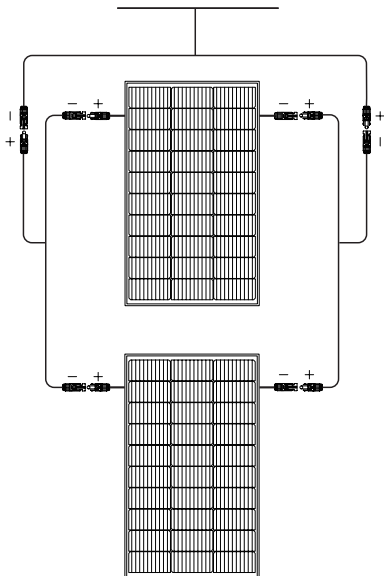
Se collegati in serie, il terminale positivo di un modulo viene trasferito al terminale negativo del secondo modulo.

Se collegati in parallelo, i terminali positivi del primo e del secondo modulo sono collegati, così anche i terminali negativi.

**Nello schema è mostrato un collegamento in serie:**



Nello schema è mostrato un collegamento in parallelo:



**Si consiglia di collegare i moduli con la stessa erogazione di energia elettrica nella stessa serie per evitare che un'errata corrispondenza crei un effetto 1+1<2.**

Non ostruire il foro di scarico posto nella parte inferiore del modulo (fare riferimento allo schema seguente).

Evitare l'oscuramento, poiché anche una piccola quantità di ombra riduce la potenza erogata; accertarsi che il sole irradi il modulo anche nel giorno più corto dell'anno.

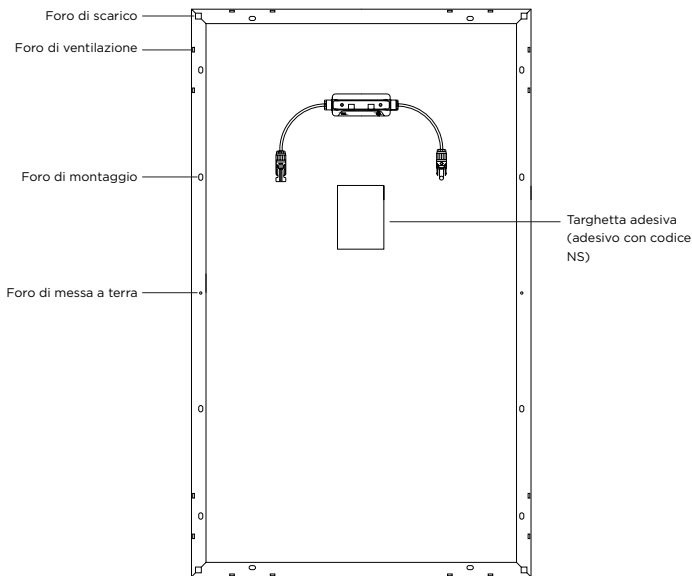
Per generare la maggior quantità di energia elettrica possibile, il modulo deve essere rivolto direttamente verso sud se si trova nell'emisfero boreale e verso nord se si trova nell'emisfero australe. Per i dettagli sull'angolo di elevazione migliore per l'installazione, fare riferimento alla guida di installazione FV standard della propria zona o ai requisiti dell'angolo di installazione di un noto installatore di sistemi solari o integratore di sistema.

## 5.3 Precauzioni per l'installazione

**Tutti i seguenti metodi di installazione sono solo di riferimento e i relativi accessori di installazione devono essere acquistati separatamente. Qualsiasi installatore di sistema dovrebbe assicurarsi che l'installazione rispetti tutte le specifiche durante il lavoro.**

Il modulo deve essere installato utilizzando i fori di montaggio previsti a tale scopo nel telaio del modulo solare [12 fori, L\*P: 0,4 × 0,3 in (11 × 7 mm)]. Il metodo di installazione più comune consiste nell'installare il modulo utilizzando i quattro fori simmetrici vicini al centro del telaio.

Come riportato di seguito:



**Nota:**

1. I fori al centro di ciascun bordo lungo sono utilizzati per la messa a terra.
2. I moduli devono essere montati saldamente per resistere a tutti i carichi previsti, compresi vento e neve.
3. La distanza tra i moduli deve essere di 0,5 in (12,7 mm) o superiore.

**Su ogni modulo sono applicate due etichette che riportano le seguenti informazioni:**

Etichetta adesiva: fornisce informazioni sul tipo di prodotto e su parametri elettrici, peso, dimensioni, ecc., rilevati in condizioni di prova standard.

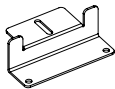
Adesivo con codice NS: ogni modulo ha un numero di serie univoco.

**Nota: non rimuovere le etichette dal pannello solare; la rimozione di qualsiasi etichetta annulla le condizioni di garanzia del prodotto da parte di EcoFlow.**

## 5.4 Installazione dei bulloni

L'installazione richiede l'utilizzo di uno speciale kit di bulloni (acquistabile separatamente), che comprende i seguenti elementi:

Quattro staffe a Z, quattro bulloni esagonali M6 (con dadi), quattro rondelle grandi M6, quattro rondelle piatte M6, quattro rondelle elastiche M6 e otto viti autoforanti esagonali [0,2\*1,5 in (5,5\*38 mm)]



4 x staffa a Z



4 x bullone esagonale  
(con dado)



4 x rondella  
grande M6



4 x rondella  
piatta M6



4 x rondella  
elastica M6

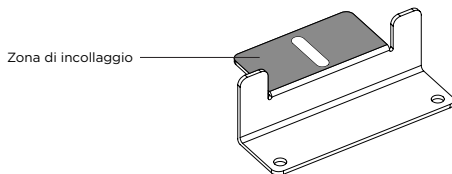


8 x vite  
autoforante  
esagonale

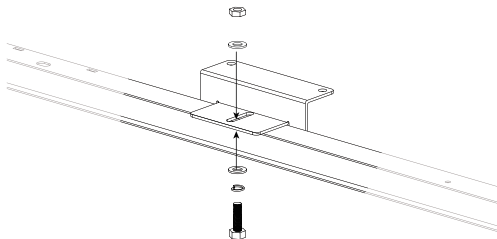
- a. È necessario utilizzare bullone, dado e rondella M6 in acciaio inossidabile, nonché il foro di montaggio sul lato posteriore del telaio del modulo.
- b. Per il fissaggio, utilizzare materiale idoneo resistente alla corrosione, in acciaio inossidabile.
- c. Non praticare fori o modificare il telaio del modulo, poiché ciò invaliderà la garanzia.
- d. Ciascun modulo deve essere montato saldamente in quattro o più punti in direzioni opposte.
- e. Durante l'installazione sul tetto o sulla carrozzeria di un veicolo, lasciare uno spazio tra il pannello solare e il tetto o la carrozzeria per facilitare il flusso d'aria e la dissipazione del calore.

La procedura è indicata di seguito:

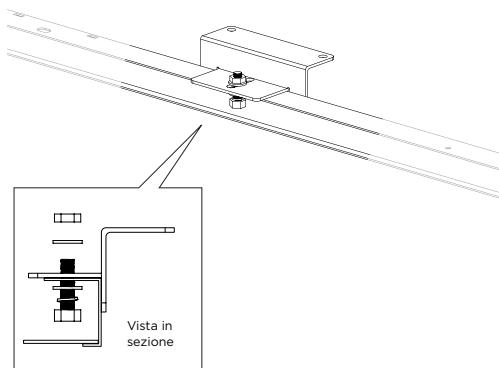
1. Utilizzare una pistola per colla manuale per applicare l'adesivo strutturale sulla zona corrispondente (la superficie a contatto con il telaio) della staffa a Z.



- Collocare la staffa a Z nella posizione corrispondente e montare il bullone esagonale M6, la rondella piatta M6 e la rondella elastica M6.

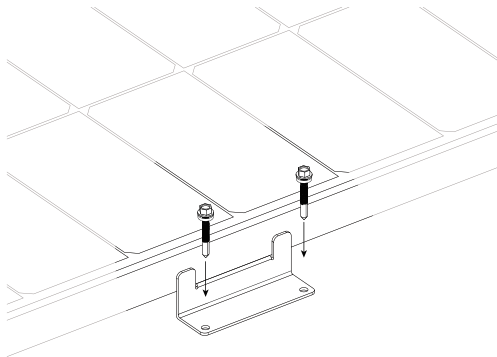


- Quindi, posizionare la rondella grande e serrare il dado.

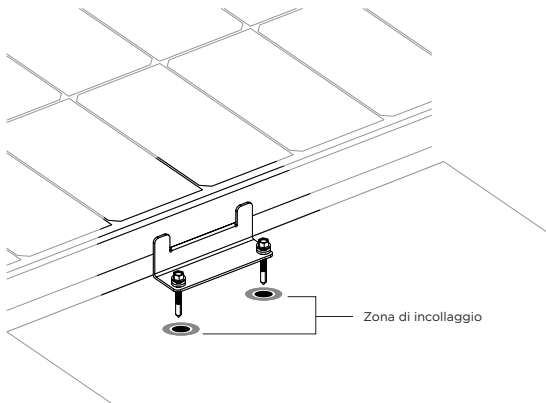




4. Mettere il pannello solare con la staffa a Z sul tetto del veicolo nella posizione di installazione e praticare dei fori sul tetto in corrispondenza dei fori sul piedistallo della staffa a Z.



5. Pulire i fori e applicare dell'adesivo (applicare l'adesivo strutturale intorno al foro).



7. Dopo aver posizionato il piedistallo della staffa a Z allineandolo con i fori nel tetto, installare la vite autoforante esagonale [0,2\*1,5 in (5,5\*38 mm), con l'anello in plastica], lasciare in posa per  $\geq 24$  h e attendere che l'adesivo strutturale si indurisca [temperatura ambiente  $\leq 86$  °F (30 °C), umidità  $\leq 70\%$  UR].
8. Quando l'adesivo strutturale si è indurito, rimuovere dal piedistallo e dal tetto l'adesivo in eccesso. Installare più pannelli solari e collegarli in serie o in parallelo, secondo necessità.

## 6. Messa in funzione e risoluzione dei problemi

**EcoFlow consiglia di far eseguire tutte le operazioni di messa in funzione e manutenzione del sistema del modulo solare da tecnici FV qualificati!**

Testare i moduli collegati prima di collegarli al sistema. Testare sempre tutti i componenti elettrici ed elettronici prima di mettere in funzione il sistema e seguire sempre le istruzioni fornite con ogni parte e pezzo dell'apparecchiatura.

Per testare le prestazioni elettriche, il modulo è generalmente esposto alla luce solare e non deve essere collegato a un carico. Prestare attenzione alla sicurezza personale quando si eseguono queste misurazioni.

Se si verifica una produzione di energia anomala, risolvere il problema attenendosi alla procedura riportata di seguito:

- Controllare tutto il cablaggio per verificare che non vi siano circuiti aperti o collegamenti difettosi.
- Controllare la tensione a circuito aperto di ciascun modulo.
- Controllare la tensione a circuito aperto con il modulo interamente coperto con materiale opaco, quindi rimuovere il materiale opaco e misurare la tensione a circuito aperto sui relativi terminali e confrontare.

Se la tensione tra i terminali differisce di oltre il 5% dal valore nominale a un'irradiazione di  $\geq 65,0 \text{ W/ft}^2$  ( $700 \text{ W/m}^2$ ), ciò indica un collegamento elettrico difettoso.

## 7. Specifiche del prodotto

### Pannello solare singolo in vetro da 100 W

**Potenza nominale:** 100 W (+/-5 W)

**Tensione a circuito aperto:** 20,3 V

**Corrente di cortocircuito:** 6,3 A

**Tensione di esercizio massima:** 17,1 V

**Corrente di esercizio massima:** 5,9 A

**Coefficiente di temperatura della potenza nominale:**  
-0,39%/°C

**Coefficiente di temperatura della tensione a circuito aperto:** -0,33%/°C

**Coefficiente di temperatura della corrente di cortocircuito:** 0,06%/°C

**Tensione massima del sistema:** 600 V CC (UL)

**Corrente massima del fusibile:** 15 A

### Informazioni generali

**Peso del pannello solare:** circa 13,7 lbs (6,2 kg)

**Dimensioni:** 38,6\*23,1\*1,2 in (98\*58,6\*3 cm)

### Test e certificazione



\*Condizioni di test standard:  $92,9 \text{ W/ft}^2$  ( $1.000 \text{ W/m}^2$ ), AM1,5, 25 °C

## Specifiche del coefficiente di temperatura

**Coefficiente di temperatura della potenza**  $-(0,39\pm 0,02)\%/k$

**Coefficiente di temperatura della tensione**  $-(0,33\pm 0,03)\%/k$

**Coefficiente di temperatura della corrente**  $+(0,06\pm 0,015)\%/k$

## 8. Domande frequenti

### Perché il pannello solare da 100 W non riesce a erogare quanto indicato durante l'uso effettivo?

Nella maggior parte dei casi, è normale che un pannello solare non eroghi tutta la sua potenza nominale. Di seguito sono riportati alcuni dei motivi per cui ciò accade, nonché alcuni suggerimenti per avvicinarsi al raggiungimento del valore di potenza nominale.

1. **Intensità della luce.** La quantità di luce che si irradia sul pannello determina fluttuazioni della potenza erogata. È più probabile che i valori nominali della potenza erogata siano più vicini a quelli ottenuti in condizioni di prova quando si utilizza il prodotto in una giornata serena a mezzogiorno, anziché al mattino o nel pomeriggio. Le condizioni meteorologiche influiscono anche sulla quantità di luce solare che raggiunge il pannello. Ad esempio, è molto meno probabile che si raggiungano i valori della potenza nominale in presenza di nebbia, pioggia o nuvole.
2. **Temperatura superficiale.** Anche la temperatura superficiale del pannello solare influisce sulla quantità di potenza generata. Più bassa è la temperatura superficiale del pannello, maggiore sarà la potenza prodotta. Ad esempio, i pannelli solari generano più energia quando vengono utilizzati in inverno anziché in estate, ed è del tutto normale. I pannelli solari generalmente raggiungono temperature prossime a 140 °F (60 °C) durante l'estate. Ciò riduce la potenza nominale del 10-15%, nonostante i livelli più elevati di luce che si irradia sul pannello.
3. **Angolo della luce solare.** In buone condizioni di illuminazione, è possibile posizionare il pannello solare in modo che la luce colpisca perpendicolarmente la superficie per ottenere prestazioni di illuminazione migliori. Tuttavia, la maggior parte dei pannelli solari montati sul tetto di un camper possono essere posizionati solo in una configurazione a tegole, il che impedisce l'installazione a un angolo ottimale, e questa differenza comporta una perdita in termini di erogazione di potenza di circa il 5%-15%.
4. **Oscureamento del pannello.** La superficie del pannello solare non deve essere oscurata durante l'uso.

L'oscuramento causato da ombre, corpi estranei e vetro può ridurre notevolmente la potenza erogata.

Problemi di prestazioni causati da pannelli difettosi: se il pannello non genera ancora potenza o l'erogazione rimane molto al di sotto dei valori nominali previsti dopo aver risolto i problemi riportati sopra, il pannello stesso potrebbe essere difettoso. Contattare l'assistenza clienti.

### Quanta potenza è in grado di generare il pannello solare da 100 W in condizioni normali?

Dipende innanzitutto dalle condizioni meteorologiche. In generale, in una giornata serena senza nuvole, la luce del sole che colpisce il pannello con un angolo di 90° genera di solito 70 W-80 W di potenza nel pannello da 100 W (le condizioni di luce correnti sono normalmente 74,3-83,6 W/ft<sup>2</sup> (800-900 W/m<sup>2</sup>) con una temperatura del pannello di 32 °F (50 °C) in condizioni di prova. I valori di potenza nominale si basano su 92,9 W/ft<sup>2</sup> (1.000 W/m<sup>2</sup>) in condizioni di AM1,5 con una temperatura del pannello di 25 °C in condizioni di prova. I valori nominali della potenza erogata sono prossimi a quelli osservati normalmente a mezzogiorno durante l'inverno).

### Quali sono l'intervallo di temperatura di esercizio e le precauzioni d'uso per il pannello da 100 W?

La temperatura di esercizio del pannello solare è compresa tra -4 °F e 185 °F (tra -20 °C e 85 °C). Leggere attentamente il manuale del prodotto prima dell'uso. I pannelli solari sono realizzati in celle solari di silicio monocristallino. Durante l'installazione e l'uso, non sbattere a terra, calpestare, colpire con oggetti estranei o sedersi sopra i pannelli, poiché tali azioni possono causare la rottura delle celle solari di silicio monocristallino, compromettendone il funzionamento. I danni causati da questi comportamenti non sono coperti dalla garanzia gratuita.

**È possibile collegare i pannelli solari da 100 W in serie?**

Sì, ma non è consigliato. Leggere attentamente le istruzioni contenute nel Manuale utente, prestando particolare attenzione ai requisiti della centralina di accumulo di energia e alle limitazioni sull'uscita del pannello solare, in modo da non usare in serie i pannelli solari con correnti diverse con conseguente mancato rilascio di potenza e creazione di un effetto 1+1<2.

**È possibile collegare i pannelli solari da 100 W in parallelo?**

Sì. Il collegamento dei pannelli in parallelo aumenta la potenza raddoppiando la corrente. Il numero massimo di pannelli da 100 W consentiti in un collegamento in parallelo dipende dalla centralina e dal dispositivo di accumulo di energia del camper. Accertarsi che il sistema di accumulo di energia utilizzato nel veicolo supporti una corrente in ingresso elevata e utilizzare cavi con un diametro adeguato alla corrente di uscita per collegare i pannelli in parallelo in modo sicuro.

**È necessario pulire periodicamente il pannello solare da 100 W?**

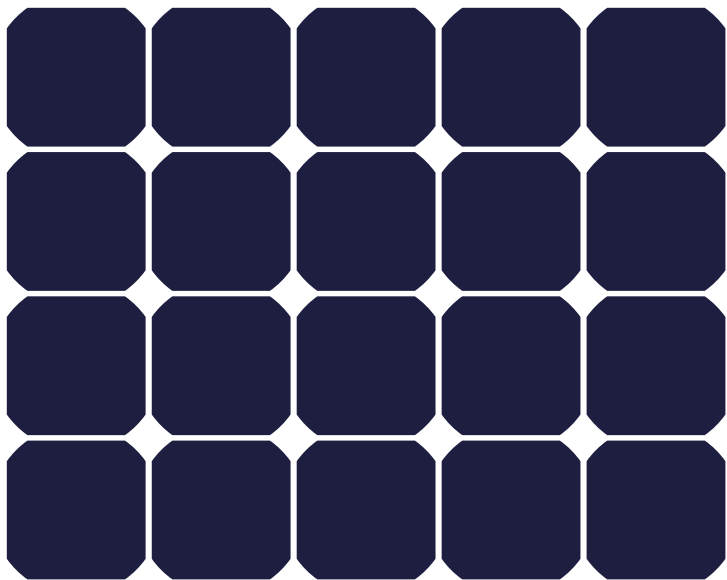
Sì. Dopo l'utilizzo all'esterno per un lungo periodo di tempo, sulla superficie del pannello solare si possono depositare accumuli di polvere e corpi estranei che in alcuni casi bloccano la luce, riducendo la potenza erogata. La pulizia periodica può aiutare a mantenere la superficie del pannello solare pulita e priva di ostruzioni e generare una maggiore potenza erogata.

## 9. Manutenzione

**Si consiglia di eseguire la manutenzione indicata di seguito per garantire prestazioni ottimali del modulo:**

1. Pulire la superficie di vetro del modulo con acqua e una spugna o un panno morbidi, se necessario. È possibile rimuovere lo sporco ostinato con un detergente delicato. Evitare di utilizzare accessori di pulizia affilati e/o duri. Si consiglia di pulire solo la mattina e la sera quando il sole è debole [irradiazione  $\leq 18,6 \text{ W/ft}^2$  ( $200 \text{ W/m}^2$ )].
2. Ispezionare i collegamenti elettrici e meccanici ogni sei mesi per verificare che siano puliti, sicuri e integri.
3. Impedire che foglie e altri oggetti coprano la superficie del pannello solare. L'oscuramento parziale del pannello solare non solo influisce sull'efficienza della generazione di energia, ma può anche causare una corrente eccessiva in alcuni punti e bruciare i componenti.

**In caso di problemi, contattare sempre un tecnico esperto qualificato perché li esamini e seguire le istruzioni di manutenzione per tutti i componenti utilizzati nel sistema, come staffe, regolatori di carica, invertitori, batterie, e così via.**



# ≡ COFLOW

## Panel solar monocristalino de 100 W

**Contacte con nosotros:**

[ecoflow.com](http://ecoflow.com)

NA/LA/APAC/MEA: [support@ecoflow.com](mailto:support@ecoflow.com)

EU: [support.eu@ecoflow.com](mailto:support.eu@ecoflow.com)

AU: [support.au@ecoflow.com](mailto:support.au@ecoflow.com)



<b>1 Finalidad</b>	<b>1</b>
<b>2 Exención de responsabilidad</b>	<b>1</b>
<b>3 Información general de seguridad</b>	<b>1</b>
<b>4 Precauciones de seguridad</b>	<b>2</b>
<b>5 Procedimiento y precauciones de instalación</b>	
5.1 Desembalaje y precauciones	2
5.2 Requisitos previos a la instalación	3
5.3 Precauciones de instalación	4
5.4 Instalación de pernos	6
<b>6 Puesta en servicio y solución de problemas</b>	<b>9</b>
<b>7 Especificaciones del producto</b>	<b>9</b>
<b>8 Preguntas frecuentes</b>	<b>10</b>
<b>9 Mantenimiento</b>	<b>11</b>

## 1. Finalidad

En el presente manual figura información sobre los componentes de energía solar y su instalación. Lea este manual y familiarícese con su contenido al completo antes de adquirir e instalar los paneles para asegurarse de que los utiliza correctamente. Cualquier uso incorrecto puede causar lesiones graves al usuario u otras personas, daños al producto o daños materiales.

Si tiene alguna pregunta, no dude en ponerse en contacto con nosotros para obtener más información y explicaciones.

Durante la instalación de los módulos, los instaladores deben seguir todas las precauciones de seguridad especificadas en este manual y en cualquier normativa de ámbito local. Antes de instalar sistemas fotovoltaicos solares, los instaladores deben estar familiarizados con los requisitos mecánicos y eléctricos de dichos sistemas. Después de leer este manual, consérvelo en un lugar seguro para futuras consultas sobre la información de servicio y mantenimiento.

Este documento se aplica a la siguiente serie de módulos solares: EF-SG-M100

## 2. Exención de responsabilidad

Dado que el uso de este manual, así como las condiciones o métodos para la instalación, el funcionamiento, el uso y el mantenimiento de productos fotovoltaicos (FV) pueden quedar fuera del control de EcoFlow, la empresa declina toda responsabilidad derivada de instalaciones y operaciones distintas de las normales, además de por cualquier pérdida, daño y necesidad de mantenimiento derivadas de estas o relacionados con ellas de cualquier forma. EcoFlow no será responsable de ninguna infracción de patentes de terceros u otros derechos que pueda resultar de la adopción de métodos de instalación, accesorios, etc., distintos de los proporcionados por nuestra empresa durante la instalación y el uso.

La información del producto y los ejemplos de instalación de este manual se basan en los conocimientos y la experiencia de EcoFlow y nuestros socios, y se consideran exactos; sin embargo, las restricciones y recomendaciones de dicha información, incluidas las especificaciones del producto, no constituyen ninguna garantía expresa o implícita.

Antes de utilizar el producto, lea atentamente el manual de usuario y la exención de responsabilidad de este producto. Una vez que utilice este producto, se considerará que ha entendido, reconocido y aceptado todos los términos y contenidos de este documento y el usuario será responsable de sus acciones y de todas las consecuencias derivadas de estas. Por medio del presente, EcoFlow renuncia a toda responsabilidad por pérdidas causadas por el incumplimiento del usuario de utilizar el producto según lo indicado en el manual de usuario. Ateniéndose al cumplimiento de las leyes y regulaciones, nuestra empresa tiene el derecho final de interpretar este documento y todos los documentos relacionados con este producto. Cualquier actualización, revisión o cancelación del contenido, si es necesario, se realizará sin previo aviso, y los usuarios deben visitar el sitio web oficial de EcoFlow para obtener la información más reciente sobre el producto.

## 3. Información general de seguridad

Los sistemas fotovoltaicos solares solo deben ser instalados por personal cualificado con el conocimiento y las habilidades profesionales pertinentes. Todos los módulos solares están equipados con una caja de conexiones conectada permanentemente y cables de 2,5 mm<sup>2</sup> (0,004 pulg.<sup>2</sup>). Los instaladores asumirán todos los riesgos de lesiones que puedan producirse durante la instalación, incluido, entre otros, el riesgo de descarga eléctrica. Cuando se expone a la luz solar directa, un solo módulo puede generar tensiones de CC superiores a 24 V. La exposición a tensiones de CC de 24 V o superiores es potencialmente peligrosa. Puede producirse un arco eléctrico al desconectar los cables de los componentes fotovoltaicos expuestos a la luz solar. Este tipo de arco puede provocar quemaduras e incendios. Proceda con especial precaución o podrían producirse otros problemas. Por ello, es importante protegerse contra la electricidad.

Los módulos solares convierten la energía solar en corriente continua (CC) y están diseñados para su uso en exteriores. Los módulos se pueden montar sobre un objeto exterior fijo y el diseñador y el instalador del sistema serán responsables de que el diseño de la estructura de soporte cumpla con los requisitos pertinentes.

No intente desmontar el módulo ni retirar ninguna placa de características o componente conectados.

No aplique pintura, adhesivos ni sustancias que obstruyan la incidencia de luz en la superficie receptora de luz del módulo.

No exponga la superficie del módulo a la luz solar amplificada y enfocada artificialmente.

Respete todas las leyes y normativas de ámbito local, regional y nacional al instalar los sistemas. Respete las leyes y normativas de ámbito local y nacional pertinentes al instalarlos en un vehículo o una embarcación.



## 4. Precauciones de seguridad

Cuando la luz incide sobre la superficie receptora del módulo solar, el módulo solar generará corriente continua (CC) con una tensión superior a 24 V. Si los módulos están conectados en serie, la tensión total es igual a la suma de la tensión de cada módulo. Si los módulos están conectados en paralelo, la corriente total es igual a la suma de la corriente de cada módulo.

Cuando transporte e instale cualquier componente mecánico o eléctrico, procure mantener a los niños alejados del sistema y del lugar de instalación.

Se recomienda cubrir completamente la superficie receptora de luz del módulo con un material opaco durante la instalación y desconectar los terminales positivo y negativo para evitar problemas derivados de la generación de energía.

No lleve anillos de metal, correas, pendientes, piercings en la nariz o los labios u otros dispositivos metálicos cuando instale o solucione problemas en un sistema fotovoltaico y utilice únicamente herramientas aisladas autorizadas para su uso en instalaciones eléctricas.

Siga las instrucciones de seguridad para todos los demás componentes utilizados en el sistema, incluidos cables, conectores, controladores, reguladores de carga, inversores, baterías y otras baterías recargables, etc.

Utilice únicamente el equipo, los conectores, el cableado y los soportes necesarios para la instalación de este sistema de módulos solares. Utilice siempre módulos del mismo tipo en un determinado sistema fotovoltaico. Se han integrado diodos de derivación en la caja de conexiones de todos los módulos.

Para cualquier módulo individual o combinación de más de un módulo conectado en serie o paralelo, la sección transversal del cable y la capacidad del conector deben ajustarse a la corriente de cortocircuito máxima del sistema; de lo contrario, el cable y el conector se sobrecalentarán a altas corrientes.

Los fusibles de CC deben ser adecuados para la capacidad de protección contra sobrecorriente del módulo.

En condiciones exteriores normales, las corrientes y tensiones generadas por el módulo serán diferentes de las indicadas en la hoja de datos, en función de las condiciones meteorológicas y la temperatura ambiente. Los datos que figuran en la placa de características son los valores previstos en condiciones de prueba estándar (STC).

## 5. Procedimiento y precauciones de instalación

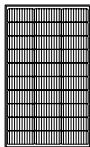
Obtenga información sobre cualquier requisito y aprobación previa para la ubicación, la instalación y la inspección por parte de las autoridades competentes antes de proceder con la instalación.

**Para instalar el producto en el techo de un vehículo, asegúrese de que el techo está protegido contra incendios:**

La ubicación de instalación debe estar libre de materiales inflamables. Los terminales positivo y negativo del panel solar deben estar completamente desconectados antes de la instalación. Utilice únicamente herramientas aisladas autorizadas para su uso en instalaciones eléctricas.

### 5.1 Desembalaje y precauciones

**Desembale con cuidado el panel solar y asegúrese de seguir todas las instrucciones del paquete. El contenido es el siguiente:**



Panel solar



Manual de usuario y tarjeta de garantía

**Nota:**

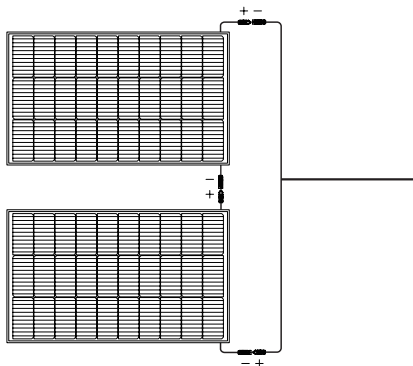
1. No pise ningún módulo, no camine sobre ellos, no quede de pie sobre ellos ni salte encima, ya que las tensiones irregulares pueden afectar a las microgrietas de la celda de la batería y, en última instancia, a la fiabilidad y experiencia del usuario del módulo.
2. No utilice una herramienta afilada para marcar, cortar, seccionar o rajar el módulo, especialmente la placa trasera.
3. Mantenga todos los contactos y conectores eléctricos limpios y secos.

## 5.2 Requisitos previos a la instalación

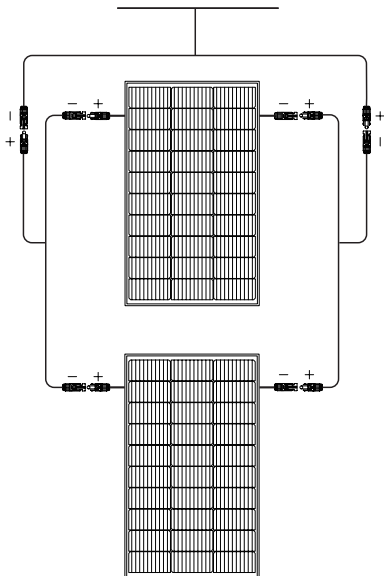
Asegúrese de que los módulos cumplen los requisitos técnicos generales del sistema y de que otros componentes del sistema no dañarán los módulos mecánica o eléctricamente.

Los módulos se pueden conectar en serie para aumentar la tensión o en paralelo para aumentar la corriente. En una conexión en serie, el terminal positivo de un módulo se transfiere al terminal negativo del segundo módulo. En una conexión en paralelo, los terminales positivos de ambos módulos están conectados, al igual que sus terminales negativos.

En este diagrama se muestra una conexión en serie:



En este diagrama se muestra una conexión en paralelo:



**Se recomienda que los módulos que comparten la salida eléctrica se conecten en la misma serie para evitar que el desajuste cree un efecto de  $1 + 1 < 2$ .**

No bloquee el orificio de drenaje de la parte inferior del módulo (consulte el siguiente diagrama).

Evite la sombra, por pequeña que sea, pues reducirá la potencia de salida; asegúrese de que el sol pueda iluminar el módulo incluso en el día más corto del año.

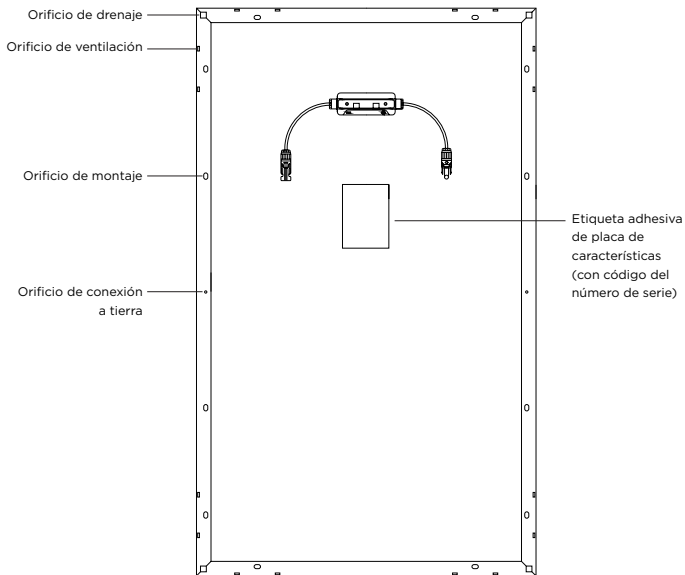
Para generar la mayor cantidad de electricidad, el módulo debe estar orientado directamente hacia el sur si se encuentra en el hemisferio norte y hacia el norte si se encuentra en el hemisferio sur. Para obtener más información sobre el ángulo de elevación óptimo para la instalación, consulte la guía de instalación fotovoltaica estándar de su localidad o los requisitos de ángulo de instalación de un instalador o integrador de sistemas solares conocido.

### 5.3 Precauciones de instalación

**Todos los siguientes métodos de instalación son solo de referencia, y los accesorios de instalación relacionados deben comprarse por separado. Cualquier instalador del sistema debe asegurarse de que la instalación cumpla con todas las especificaciones mientras trabaja.**

El módulo debe montarse utilizando los orificios de montaje reservados en el marco del módulo solar (12 orificios,  $L \times An.$ :  $11 \times 7$  mm ( $0,4 \times 0,3$  pulg.)). El método de instalación del módulo más común es por medio de los cuatro orificios simétricos cerca del centro del marco.

Tal y como se muestra a continuación:



**Nota:**

1. Los orificios en el centro de cada borde largo se utilizan para la conexión a tierra.
2. Los módulos deben estar firmemente montados para soportar todas las cargas previstas, incluidas las del viento y la nieve.
3. La separación entre los módulos debe ser de 12,7 mm (0,5 pulg) o mayor.

**Cada módulo tiene dos etiquetas que proporcionan la siguiente información:**

Etiqueta adhesiva de la placa de características: Proporciona información sobre el tipo de producto y los parámetros eléctricos, el peso, las dimensiones, etc., medidos en condiciones de prueba estándar.

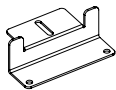
Etiqueta adhesiva con código del número de serie: Cada módulo tiene un número de serie único.

**Nota: No retire ninguna etiqueta del panel solar; la retirada de cualquier etiqueta anulará la política de garantía del producto de EcoFlow.**

## 5.4 Instalación de pernos

La instalación requiere el uso de un kit de pernos especial (adquirido por separado), que incluye los siguientes elementos:

Cuatro soportes en forma de Z, cuatro pernos de cabeza hexagonal M6 (con tuercas), cuatro arandelas grandes M6, cuatro arandelas planas M6, cuatro arandelas de resorte M6 y ocho tornillos autorroscantes de cabeza hexagonal (5,5 x 38 mm [0,2 x 1,5 pulg.])



4 soportes en forma de Z



4 pernos de cabeza hexagonal (con tuerca)



4 arandelas grandes M6



4 arandelas planas M6



4 arandelas de resorte M6



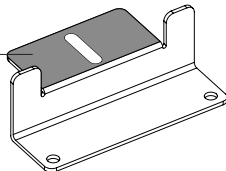
8 tornillos autorroscantes de cabeza hexagonal

- Debe utilizar el perno, la tuerca y la arandela de acero inoxidable M6, así como el orificio de montaje de la parte posterior del marco del módulo.
- Utilice material adecuado resistente a la corrosión para la fijación, que debe ser de acero inoxidable.
- No perforo orificios ni modifique el marco del módulo, ya que esto anulará la garantía.
- Cada módulo debe montarse firmemente en cuatro o más puntos en sentidos opuestos.
- Al realizar la instalación en el techo o en la carrocería de un vehículo, asegúrese de dejar un hueco entre el panel solar y el techo o la carrocería para facilitar el flujo de aire y la disipación del calor.

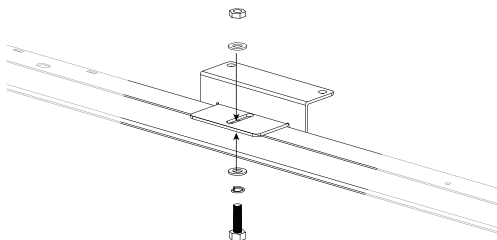
Los pasos son los siguientes:

- Utilice una pistola de pegamento manual para aplicar el adhesivo estructural a la zona correspondiente (la superficie que entra en contacto con el marco) del soporte en forma de Z.

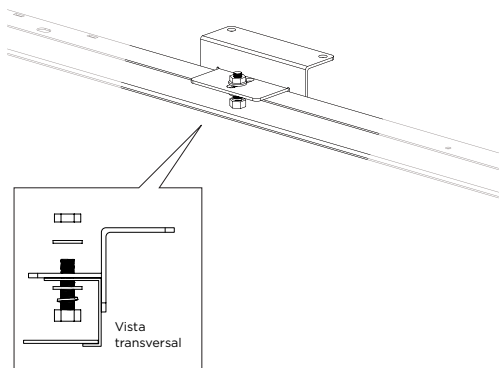
Zona de encolado



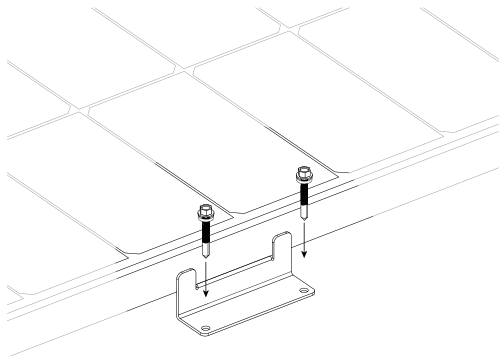
- Coloque el soporte en forma de Z en la posición correspondiente e instale el perno de cabeza hexagonal M6, la arandela plana M6 y la arandela de resorte M6.



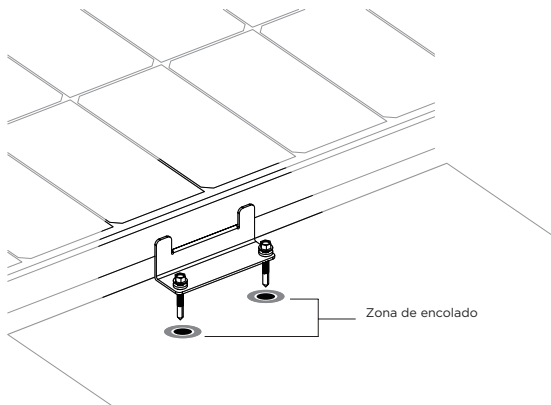
- A continuación, coloque la arandela grande y apriete la tuerca.



4. Coloque el panel solar con el soporte en forma de Z en el techo del vehículo en la posición de instalación y perforo orificios en el techo en la posición correspondiente al agujero en el pedestal del soporte en forma de Z.



5. Limpie los orificios y aplique adhesivo (asegúrese de aplicar adhesivo estructural alrededor del orificio).



7. Tras hacer coincidir el pedestal del soporte en forma de Z con los orificios del techo, instale el tornillo autorroscante de cabeza hexagonal (5,5 × 38 mm [0,2 × 1,5 pulg.], con anillo de plástico), déjelo reposar durante  $\geq 24$  h y espere a que se cure el adhesivo estructural (temperatura ambiente  $\leq 30$  °C [86 °F], humedad relativa  $\leq 70$  %).
8. Una vez que el adhesivo estructural se haya secado, retire el exceso del pedestal y el techo. Instale más paneles solares y conéctelos en serie o en paralelo como proceda.

## 6. Puesta en servicio y solución de problemas

**EcoFlow recomienda que la puesta en servicio y el mantenimiento del sistema del módulo solar sean realizados por técnicos fotovoltaicos cualificados.**

Pruebe los módulos conectados antes de conectarlos al sistema; compruebe siempre todos los componentes eléctricos y electrónicos del sistema antes de ponerlo en servicio y siga siempre las instrucciones provistas con cada pieza y equipo.

Para comprobar el rendimiento eléctrico del módulo, por lo general este se expone a la luz solar y no debe estar conectado a ninguna carga. Preste atención a su seguridad personal cuando realice estas mediciones.

Si se produce una generación anormal de energía, solucione el problema siguiendo los pasos que se indican a continuación:

- Inspeccione todo el cableado para asegurarse de que no haya circuitos abiertos ni conexiones defectuosas.
- Mida la tensión de circuito abierto de cada módulo.
- Mida la tensión de circuito abierto con el módulo completamente cubierto con un material opaco; a continuación, retire el material opaco y mida la tensión de circuito abierto en sus terminales y compárela.

Si la tensión entre los terminales difiere en más de un 5 % del valor nominal a una irradiancia de  $\geq 700 \text{ W/m}^2$  ( $65,0 \text{ W/pie}^2$ ), significa que la conexión eléctrica es incorrecta o deficiente.

## 7. Especificaciones del producto

### Panel solar monocristalino de 100 W

<b>Potencia nominal:</b> 100 W ( $\pm 5 \text{ W}$ )
<b>Tensión de circuito abierto:</b> 20,3 V
<b>Corriente de cortocircuito:</b> 6,3 A
<b>Tensión de funcionamiento máxima:</b> 17,1 V
<b>Corriente de funcionamiento máxima:</b> 5,9 A
<b>Coefficiente de temperatura de la potencia nominal:</b> $-0,39 \text{ \%/}^\circ\text{C}$
<b>Coefficiente de temperatura de tensión de circuito abierto:</b> $-0,33 \text{ \%/}^\circ\text{C}$
<b>Coefficiente de temperatura de corriente de cortocircuito:</b> $0,06 \text{ \%/}^\circ\text{C}$
<b>Tensión máxima del sistema:</b> 600 V CC (UL)
<b>Corriente máxima del fusible:</b> 15 A

### Generalidades

<b>Peso del panel solar:</b> 6,2 kg (13,7 lb) aprox.
<b>Dimensiones:</b> 98 × 58,6 × 3 cm (38,6 × 23,1 × 1,2 pulg.)

### Ensayos y certificación



\* Condiciones de prueba estándar:  $1000 \text{ W/m}^2$  ( $92,9 \text{ W/pie}^2$ ), AM1,5, 25 °C



## Especificaciones del coeficiente de temperatura

<b>Coeficiente de temperatura de potencia</b>	<b><math>-(0,39 \pm 0,02)\%/k</math></b>
<b>Coeficiente de temperatura de tensión</b>	<b><math>-(0,33 \pm 0,03)\%/k</math></b>
<b>Coeficiente de temperatura de corriente</b>	<b><math>+(0,06 \pm 0,015)\%/k</math></b>

## 8. Preguntas frecuentes

### ¿Por qué el panel solar de 100 W no suministra la cantidad indicada durante su uso real?

En la mayoría de los casos, es normal que un panel solar no suministre toda su potencia nominal. A continuación se indican algunos de los motivos por los que esto ocurre, así como algunas sugerencias para acercarse al valor de potencia nominal.

- Intensidad de la luz.** La cantidad de luz que se refleja en el panel producirá fluctuaciones en la potencia de salida. Es más probable que alcance valores de potencia nominal más cercanos a los obtenidos en condiciones de prueba cuando utilice el producto en un día despejado al sol del mediodía, que cuando lo utilice por la mañana o por la tarde. Las condiciones meteorológicas también afectarán a la cantidad de luz solar que se refleja en el panel. Por ejemplo, es mucho menos probable que alcance los valores de potencia nominal cuando hay bruma, nubosidad y lluvia.
- Temperatura superficial.** La temperatura de la superficie del panel solar también afectará a la cantidad de energía generada. Cuanto menor sea la temperatura de la superficie del panel, más energía se producirá. Por ejemplo, los paneles solares generan más energía cuando se utilizan durante el invierno que durante el verano, y esto es completamente normal. Los paneles solares generalmente alcanzan temperaturas cercanas a los 60°C (140 °F) durante el verano. Esto reduce la potencia nominal en un 10-15 %, a pesar de los mayores niveles de luz que se reflejan en el panel.
- El ángulo de la luz del sol.** Si las condiciones de iluminación son buenas, el panel solar puede permanecer donde la luz incide perpendicularmente sobre la superficie para conseguir un mejor rendimiento lumínico. Sin embargo, la mayoría de los paneles solares instalados en el techo de una autocaravana solo se pueden instalar en una configuración de teja, lo que impide que los paneles se instalen en el ángulo óptimo, y esta diferencia supondrá una pérdida de potencia de aproximadamente el 5-15 %.
- Efecto de la sombra en el panel.** La superficie del panel solar no debe estar a la sombra durante su uso. El efecto provocado por sombras, objetos extraños y cristal puede reducir en gran medida la potencia de salida.

Problemas de rendimiento provocados por paneles que no funcionan correctamente: Si el panel sigue sin generar energía o su producción sigue estando muy por debajo de los valores de potencia nominal esperados después de solucionar los problemas anteriores, puede haber un problema con el propio panel. Póngase en contacto con el servicio de atención al cliente para obtener ayuda.

### ¿Cuánta energía puede generar el panel solar de 100 W en condiciones normales?

Esto depende ante todo de las condiciones meteorológicas. En términos generales, en un día despejado y sin nubes en el cielo, la luz solar que incide sobre el panel en un ángulo de 90° suele generar 70-80 W de potencia en el panel de 100 W (las condiciones de luz actuales son normalmente de 800-900 W/m<sup>2</sup> [74,3-83,6 W/pie<sup>2</sup>] con una temperatura de panel de 50 °C [32 °F] en condiciones de prueba. Los valores de potencia nominal se basan en 1000 W/m<sup>2</sup> [92,9 W/pie<sup>2</sup>] en condiciones AM1,5, con una temperatura de panel de 25 °C en condiciones de prueba. Se observaron valores de potencia de salida cercanos a los valores nominales normalmente al sol del mediodía durante el invierno).

### ¿Cuáles son el rango de temperatura y las precauciones de uso del panel de 100 W?

La temperatura de funcionamiento del panel solar es de entre -20 °C y 85 °C (-4 °F y 185 °F). Lea atentamente el manual del producto antes de utilizarlo. Los paneles solares están hechos de obleas de silicio monocristalino. Durante la instalación y el uso, no golpee los paneles contra el suelo, no los pise, no los golpee con objetos extraños ni se siente sobre su superficie, ya que dichas acciones pueden provocar que las obleas de silicio monocristalino se agrieten, lo que afectará a su uso. Los daños causados por la fuerza humana no están cubiertos por la garantía gratuita.

### ¿Puedo conectar paneles solares de 100 W en serie?

Sí, pero no se recomienda hacerlo. Lea atentamente las instrucciones del manual de usuario, con especial atención a los requisitos y limitaciones del controlador de almacenamiento de energía en la salida del panel solar, para que no se utilicen paneles solares en serie con diferentes corrientes sin liberar su potencia y generar un efecto de  $1 + 1 < 2$ .

### ¿Puedo conectar paneles solares de 100 W en paralelo?

Sí. La conexión de paneles en paralelo aumenta la potencia gracias a la duplicación de la corriente. El número máximo de paneles de 100 W permitidos en una conexión en paralelo depende del controlador y del equipo de almacenamiento de energía de su autocaravana. Asegúrese de que el sistema de almacenamiento de energía utilizado en su vehículo admite una corriente de entrada más alta y utilice cables con un diámetro adecuado a la corriente de salida para conectar los paneles de forma segura en paralelo.

### ¿Es necesario limpiar el panel solar de 100 W periódicamente?

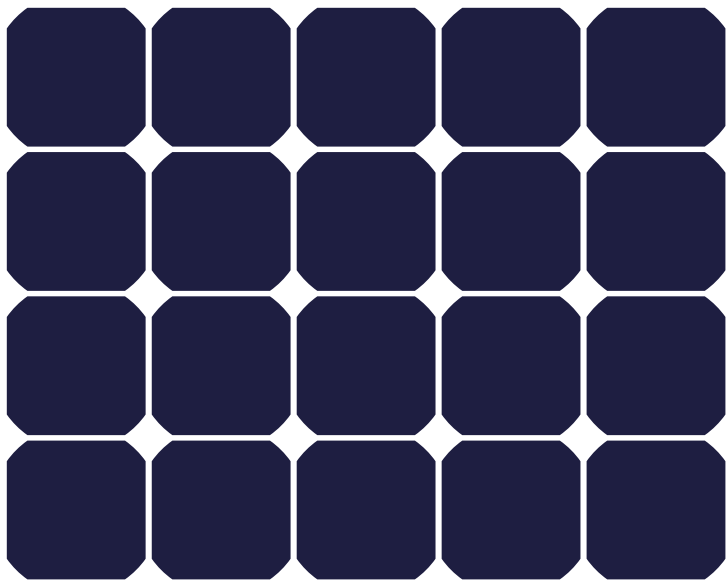
Sí. Puede que haya mucho polvo y objetos extraños en la superficie del panel solar después de que el panel se haya utilizado al aire libre durante un tiempo prolongado, lo que obstruye la luz en cierta medida y reduce la producción de energía. Una limpieza periódica puede ayudar a mantener la superficie del panel solar limpia y libre de obstrucciones, y generar una mayor potencia.

## 9. Mantenimiento

**Le recomendamos que lleve a cabo el siguiente mantenimiento para garantizar un rendimiento óptimo del módulo:**

1. Limpie la superficie de cristal del módulo con agua y una esponja o paño suave cuando sea necesario. La suciedad persistente se puede eliminar con un detergente suave. Evite utilizar herramientas de limpieza afiladas o duras. Se recomienda limpiar solo por la mañana y por la tarde, cuando el sol esté débil (irradiación  $\leq 200 \text{ W/m}^2$  [18,6  $\text{W}/\text{pie}^2$ ]).
2. Inspeccione las conexiones eléctricas y mecánicas cada seis meses para confirmar que están limpias y firmemente conectadas, y que no hayan sufrido daños.
3. Evite que hojas y otros objetos cubran la superficie del panel solar. La sombra parcial sobre el panel solar no solo afectará a la eficiencia de la generación de energía, sino que también puede causar una corriente excesiva en algunos lugares y quemar los componentes.

**En caso de que se produzca algún problema, acuda siempre a un experto cualificado para que investigue y siga las instrucciones de mantenimiento de todos los componentes utilizados en el sistema, como soportes, reguladores de carga, inversores, baterías, etc.**



# ≡ COFLOW

## Glas-folie zonnepaneel van 100 W

**Contactez-nous :**

[ecoflow.com](http://ecoflow.com)

NA/LA/APAC/MEA: [support@ecoflow.com](mailto:support@ecoflow.com)

EU: [support.eu@ecoflow.com](mailto:support.eu@ecoflow.com)

AU: [support.au@ecoflow.com](mailto:support.au@ecoflow.com)



<b>1 Doel</b>	<b>1</b>
<b>2 Disclaimer</b>	<b>1</b>
<b>3 Algemene veiligheidsinformatie</b>	<b>1</b>
<b>4 Veiligheidsvoorschriften</b>	<b>2</b>
<b>5 Installatieprocedure en voorzorgsmaatregelen</b>	
5.1 Uitpakken en voorzorgsmaatregelen	2
5.2 Vereisten voorafgaand aan de installatie	3
5.3 Voorzorgsmaatregelen bij installatie	4
5.4 Bouten aanbrengen	6
<b>6 Inbedrijfstelling en probleemoplossing</b>	<b>9</b>
<b>7 Productspecificaties</b>	<b>9</b>
<b>8 Veelgestelde vragen</b>	<b>10</b>
<b>9 Onderhoud</b>	<b>11</b>

## 1. Doel

Deze handleiding bevat informatie over de onderdelen van het zonne-energiesysteem en hun installatie. Zorg ervoor dat u deze handleiding hebt gelezen en begrijpt voordat u de panelen koopt en installeert, zodat u zeker weet dat u ze correct gebruikt. Onjuist gebruik kan leiden tot ernstig letsel bij de gebruiker of anderen, schade aan het product of verlies van eigendommen.

Neem bij vragen gerust contact met ons op voor meer informatie en verdere uitleg.

Bij het installeren van modules dienen installateurs alle veiligheidsvoorschriften in deze handleiding en eventuele lokale voorschriften op te volgen. Alvorens fotovoltaïsche systemen te installeren, dienen installateurs vertrouwd te zijn met de mechanische en elektrische vereisten van dergelijke systemen.

Bewaar deze handleiding na het lezen op een veilige plaats, zodat u deze later kunt raadplegen voor service- en onderhoudsinformatie.

Dit document is van toepassing op zonnemodules uit de volgende serie: EF-SG-M100

## 2. Disclaimer

Aangezien het gebruik van deze handleiding als ook de voorwaarden voor installatie, de installatiemethoden, de bediening, het gebruik en het onderhoud van fotovoltaïsche producten (PV) mogelijk buiten de controle van EcoFlow liggen, aanvaardt EcoFlow geen verantwoordelijkheid voor dergelijke niet-standaard installaties en werkzaamheden en wijst het uitdrukkelijk alle verlies, schade en onderhoudsvereisten af die hieruit voortvloeien of op enige wijze hiermee verband houden.

EcoFlow is niet aansprakelijk voor enige inbreuk op patenten of andere rechten van derden die mogelijk voortvloeien uit het gebruik van installatiemethoden, accessoires, enz. die bij de installatie en het gebruik niet door ons bedrijf worden geleverd.

De productinformatie en installatievoorbeelden in deze handleiding zijn gebaseerd op de relevante kennis en ervaring van EcoFlow en onze partners en worden beschouwd als betrouwbaar. De beperkingen en aanbevelingen in deze informatie, inclusief productspecificaties, vormen echter geen expliciete of impliciete garantie.

Lees de gebruikershandleiding en de afwijzing van aansprakelijkheid voor dit product zorgvuldig door voordat u het product gebruikt. Zodra u dit product gebruikt, wordt u geacht alle voorwaarden en de inhoud van dit document te hebben begrepen en geaccepteerd. U gaat ermee akkoord dat de gebruiker verantwoordelijk is voor zijn handelingen en alle daaruit voortvloeiende gevolgen. EcoFlow wijst hierbij elke aansprakelijkheid af voor eventuele verliezen als gevolg van het niet volgens de gebruikershandleiding gebruiken van het product door de gebruiker.

Afhankelijk van de naleving van wet- en regelgeving heeft ons bedrijf het uiteindelijke recht om dit document en alle documenten van en met betrekking tot dit product te interpreteren. Eventuele updates, herzieningen of beëindiging van de inhoud daarvan zullen, indien nodig, zonder voorafgaande kennisgeving worden uitgevoerd en gebruikers moeten de officiële website van EcoFlow bezoeken voor de meest recente informatie over het product.

## 3. Algemene veiligheidsinformatie

Fotovoltaïsche systemen mogen alleen worden geïnstalleerd door gekwalificeerd personeel met relevante professionele vaardigheden en kennis. Alle zonnemodules zijn uitgerust met een permanent aangesloten aansluitdoos en draden van 2,5 mm<sup>2</sup> (0,004 in<sup>2</sup>). Installateurs dragen alle risico's op letsel die tijdens de installatie kunnen optreden, met inbegrip van, maar niet beperkt tot, het risico op elektrische schokken.

Bij blootstelling aan direct zonlicht kan een enkele module gelijkspanningen van meer dan 24 V genereren. Blootstelling aan gelijkspanningen van 24 V of hoger kan gevaarlijk zijn. Vonkontlading kan optreden bij het loskoppelen van draden die zijn aangesloten op PV-onderdelen die zijn blootgesteld aan zonlicht. Een dergelijke vonkontlading kan brandwonden of brand veroorzaken. Wees extra voorzichtig om verdere problemen te voorkomen. Het is belangrijk om uzelf te beschermen tegen elektrische schokken!

De zonnemodules zetten zonne-energie om in gelijkstroom en zijn ontworpen voor gebruik buitenshuis.

Modules kunnen worden gemonteerd op een vast buitenobject. De systeemontwerper en installateur zijn ervoor verantwoordelijk dat het ontwerp van de ondersteunende constructie voldoet aan de vereisten.

Probeer de module niet te demonteren en verwijder geen typeplaatjes of onderdelen.

Breng geen verf, kleefmiddelen of stoffen aan op het lichtontvangende oppervlak van de module om te voorkomen dat het licht op de batterijcel wordt geblokkeerd.

Stel het oppervlak van de module niet bloot aan zonlicht dat kunstmatig wordt gecentreerd.

Neem bij het installeren van systemen alle lokale, regionale en nationale wet- en regelgeving en wettelijke voorschriften in acht. Neem bij het installeren op een voertuig of vaartuig de relevante lokale en nationale wet- en regelgeving in acht.

## 4. Veiligheidsvoorschriften

Wanneer er licht op het lichtontvangende oppervlak van de zonnemodule schijnt, genereert de zonnemodule gelijkspanning met een spanning van meer dan 24 V. Als modules in serie worden geschakeld, is de totale spanning gelijk aan de som van de spanning van elke module. Als modules parallel worden geschakeld, is de totale stroom gelijk aan de som van de stroom van elke module.

Zorg er bij het transporteren en installeren van mechanische en elektrische onderdelen voor dat kinderen niet in de buurt van het systeem en de installatielocatie komen.

Het wordt aanbevolen om het lichtontvangende oppervlak van de module tijdens de installatie volledig af te dekken met ondoorzichtig materiaal en de positieve en negatieve aansluitingen los te koppelen om problemen als gevolg van de energieopwekking te voorkomen.

Draag bij het installeren van of het oplossen van problemen met een PV-systeem geen metalen ringen, riemen, oorbellen, neus- en lippiercings of andere metalen voorwerpen en gebruik alleen geïsoleerd gereedschap dat is goedgekeurd voor elektrische installatie.

Houd u aan de veiligheidsinstructies voor alle andere onderdelen van het systeem, waaronder kabels, connectoren, controllers, laadregelaars, omvormers, batterijen en andere oplaadbare batterijen, enz.

Gebruik alleen de apparatuur, connectoren, bedrading en steunen die nodig zijn voor de installatie van dit zonnemodulesysteem. Gebruik altijd modules van hetzelfde type in een bepaald PV-systeem. In de aansluitdoos zijn bypass-diodes geïntegreerd voor alle modules.

Voor elke afzonderlijke module of combinatie van modules die in serie of parallel zijn geschakeld, moeten de dwarsdoorsnede van de kabel en de capaciteit van de connector overeenkomen met de maximale kortsluitstroom van het systeem om te voorkomen dat de kabel en connector oververhit raken bij hoge stroomsterkten.

DC-zekeringen moeten geschikt zijn voor de overstroombeschermingsklasse van de module.

Onder normale buitenomstandigheden wijken de door de module gegenereerde stroom en spanning af van de waarden op het gegevensblad, afhankelijk van het weer en de omgevingstemperatuur. De gegevens op het typeplaatje zijn de verwachte waarden onder standaardtestomstandigheden (STC).

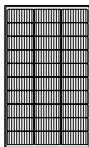
## 5. Installatieprocedure en voorzorgsmaatregelen

Vraag voorafgaand aan de installatie de relevante autoriteiten om informatie over vereisten en voorafgaande goedkeuringen voor de locatie, installatie en inspectie.

**Wanneer u het product op het dak van een voertuig monteert, moet u ervoor zorgen dat het dak tegen brand wordt beschermd:** De installatielocatie moet vrij zijn van brandbare materialen. De positieve en negatieve aansluitingen van het zonnepaneel moeten vóór de installatie worden losgekoppeld. Gebruik alleen goedgekeurd geïsoleerd gereedschap voor elektrische installatie.

### 5.1 Uitpakken en voorzorgsmaatregelen

**Pak het zonnepaneel voorzichtig uit en volg alle instructies op de verpakking op. De inhoud van een verpakking:**



Zonnepaneel



Gebruikershandleiding  
en garantiekaart

**Opmerking:**

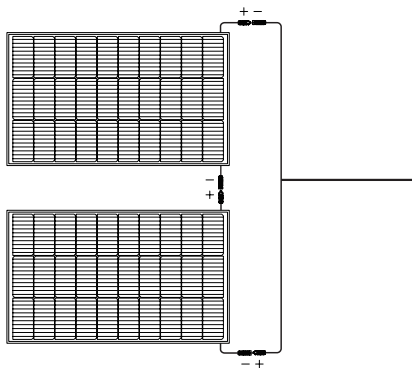
1. Het is niet toegestaan om op een module te staan, te lopen of te springen. Ongelijke spanningen kunnen microscheuren in de batterijcel veroorzaken, hetgeen ten koste gaat van de betrouwbaarheid en prestaties van de module.
2. Gebruik geen scherp gereedschap om beschadiging van de voor- en achterkant van het paneel te voorkomen.
3. Houd alle elektrische contacten en connectoren schoon en droog.

## 5.2 Vereisten voorafgaand aan de installatie

Controleer of de modules voldoen aan de algemene technische vereisten van het systeem en zorg ervoor dat andere systeemonderdelen de modules niet mechanisch of elektrisch beschadigen.

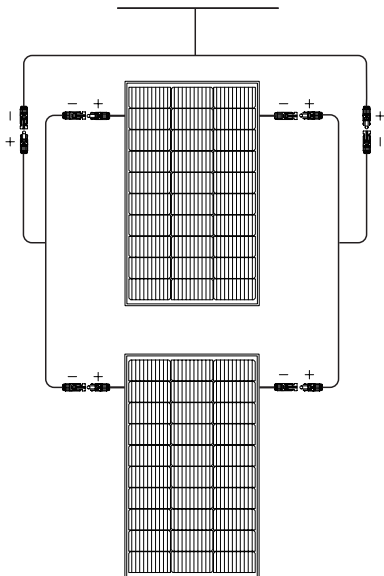
Modules kunnen in serie worden geschakeld om de spanning te verhogen of parallel worden geschakeld om de stroomsterkte te verhogen. Wanneer modules in serie worden geschakeld, wordt de positieve aansluiting van een module aangesloten op de negatieve aansluiting van de tweede module. Wanneer modules parallel worden geschakeld, worden de positieve aansluitingen en negatieve aansluitingen van de eerste module en volgende module op elkaar aangesloten.

**Het schema toont een serieschakeling:**





Het schema toont een parallelschakeling:



**Het wordt aanbevolen om modules met hetzelfde elektrische vermogen in dezelfde serie aan te sluiten om te voorkomen dat verkeerde afstemming een 1+1<2-effect veroorzaakt;**

Blokkeer de aftapopening aan de onderkant van de module niet (zie onderstaand schema).

Vermijd schaduw, omdat zelfs een kleine hoeveelheid schaduw het uitgangsvermogen vermindert; zorg ervoor dat de zon zelfs op de kortste dag van het jaar op de module kan schijnen;

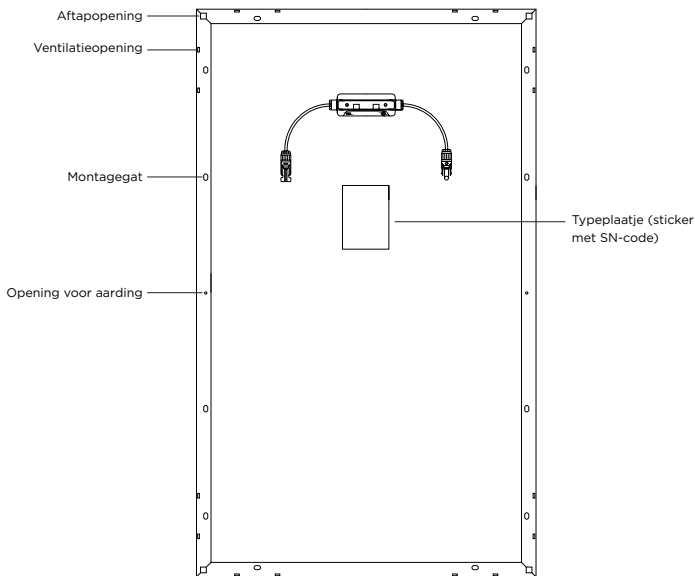
Om de meeste elektriciteit op te wekken, moet de module zich in het noordelijke halfrond direct naar het zuiden en in het zuidelijke halfrond direct naar het noorden gericht zijn. Raadpleeg voor meer informatie over de beste elevatiehoek de standaard PV-installatiehandleiding van uw gemeente of de vereisten voor de installatiehoek van een bekende installateur van fotovoltaïsche systemen of systeemintegrator.

## 5.3 Voorzorgsmaatregelen bij installatie

**Alle volgende installatiemethoden zijn alleen ter referentie en de bijbehorende installatieaccessoires moeten apart worden aangeschaft. Elke systeeminstallateur moet ervoor zorgen dat de installatie tijdens het werk aan alle specificaties voldoet.**

De module moet worden gemonteerd met behulp van de montagegaten in het frame van de zonnemodule [12 gaten, L\*B: 11 x 7 mm (0,4 x 0,3 in)]. In de meeste gevallen wordt het paneel geïnstalleerd met behulp van de vier gaten dicht bij het midden van het frame.

Zoals hieronder weergegeven:



**Opmerking:**

1. De gaten in het midden van elke lange zijde worden gebruikt voor de aarding.
2. De modules moeten stevig worden bevestigd om alle verwachte belastingen, inclusief wind- en sneeuwbelastingen, te weerstaan.
3. De ruimte tussen de modules moet 12,7 mm (0,5 in) of groter zijn.

**Elke module is voorzien van twee labels met de volgende informatie:**

Typeplaatje: Biedt informatie over het producttype en de elektrische parameters, het gewicht, de afmetingen, enz., gemeten onder standaardtestomstandigheden.

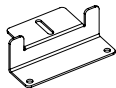
Sticker met SN-code: Elke module heeft een uniek serienummer.

**Opmerking: Verwijder geen labels van het zonnepaneel; als u labels verwijdert, komt de garantie van EcoFlow te vervallen.**

## 5.4 Bouten aanbrengen

Installatie vereist het gebruik van een speciale boutenset (apart verkrijgbaar), die de volgende items bevat:

Vier z-vormige beugels, vier M6-zeskantbouten (met moeren), vier grote M6-onderleggingen, vier platte M6-onderleggingen, vier M6-veerringen en acht zelfborende zeskantbouten [5,5\*38 mm (0,2\*1,5 in)]



Z-vormige  
beugel, 4 stuks



Zeskantbout (met moer),  
4 stuks



Grote M6-  
onderlegging,  
4 stuks



Platte M6-  
onderlegging,  
4 stuks



M6-veerring,  
4 stuks

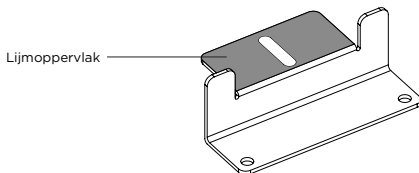


Zelfborende  
zeskantbout,  
8 stuks

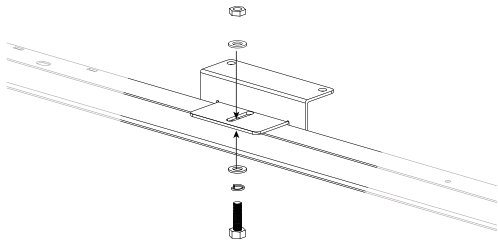
- Gebruik de roestvaststalen M6-bout, moer en onderlegging, evenals het montagegat aan de achterzijde van het frame van de module.
- Gebruik geschikt corrosiebestendig materiaal van roestvast staal voor de bevestiging.
- Boor geen gaten in het frame van de module en breng geen wijzigingen aan het frame aan, omdat de garantie hierdoor vervalt.
- Elke module moet stevig worden bevestigd op vier of meer punten in tegengestelde richting.
- Zorg er bij het monteren van panelen op het dak of de carrosserie van een voertuig voor dat er voldoende ruimte is tussen het paneel en het dak of de carrosserie om de luchtstroom en warmteafvoer te waarborgen.

**Volg de volgende stappen:**

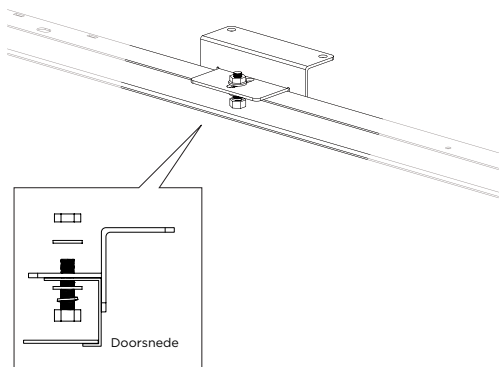
- Breng met een handlijmpistool de constructielijm aan op het betreffende gebied (het oppervlak dat in contact komt met het frame) van de Z-vormige beugel.



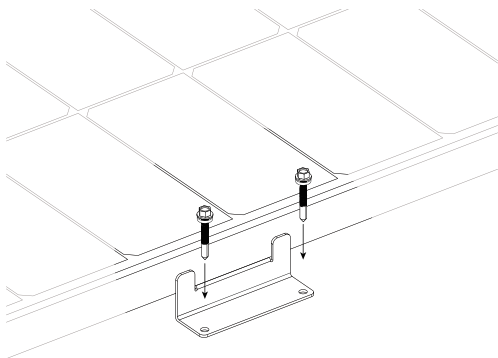
2. Plaats de Z-vormige beugel in de juiste positie en breng de M6-zeskantbout, de platte M6-onderlegging en de M6-veerring aan.



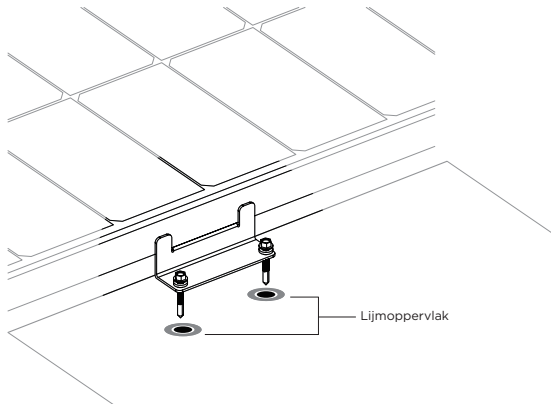
3. Breng vervolgens de grote onderlegging aan en haal de moer aan.



4. Plaats het zonnepaneel met de Z-vormige beugel op het dak van het voertuig in de positie voor montage en boor gaten in het dak bij de gaten in de voet van de Z-vormige beugel.



5. Reinig de gaten en breng lijm aan (breng de constructielijm aan rond het gat).



7. Nadat u de voet van de Z-vormige beugel hebt uitgelijnd met de gaten in het dak, brengt u de zelfborende zeskantbout [5,5\*38 mm (0,2\*1,5 in) met kunststof ring] aan en laat u de constructielijm  $\geq 24$  uur uitharden [omgevingstemperatuur  $\leq 30$  °C (86 °F), vochtigheid  $\leq 70\%$  RH].
8. Nadat de constructielijm is uitgehard, verwijdert u de overtollige lijm van de voet en het dak. Installeer meer zonnepanelen en sluit ze in serie of parallel aan, indien nodig.

## 6. Inbedrijfstelling en probleemoplossing

**EcoFlow raadt aan dat de inbedrijfstelling en het onderhoud van het zonnemodulesysteem wordt uitgevoerd door gekwalificeerde monteurs van fotovoltaïsche systemen.**

Test geschakelde modules voordat u ze op het systeem aansluit; test altijd alle elektrische en elektronische onderdelen van het systeem voordat u het systeem in bedrijf stelt en volg altijd de instructies die bij elk onderdeel en elk apparaat worden geleverd.

Om de elektrische prestaties van de module te testen, moet de module worden blootgesteld aan zonlicht zonder dat deze op een belasting is aangesloten. Let op uw persoonlijke veiligheid bij het uitvoeren van deze metingen.

Als er een abnormale energieopwekking optreedt, lost u het probleem op door de onderstaande stappen uit te voeren:

- Controleer alle bedrading op open circuits of slechte aansluitingen.
- Controleer de nullastspanning van elke module.
- Controleer de nullastspanning met de module volledig bedekt met ondoorzichtig materiaal; verwijder vervolgens het ondoorzichtige materiaal en meet de nullastspanning bij de aansluitingen en vergelijk de gemeten waarden.

Als de spanning tussen de aansluitingen meer dan 5% verschilt van de nominale waarde bij een stralingssterkte van  $\geq 700 \text{ W/m}^2$  ( $65,0 \text{ W/ft}^2$ ), wijst dit op een slechte elektrische aansluiting.

## 7. Productspecificaties

### Glas-folie zonnepaneel van 100 W

<b>Nominaal vermogen:</b> 100 W(+/-5 W)
<b>Nullastspanning:</b> 20,3 V
<b>Kortsluitspanning:</b> 6,3 A
<b>Maximale bedrijfsspanning:</b> 17,1 V
<b>Maximale bedrijfsstroom:</b> 5,9 A
<b>Temperatuurcoëfficiënt van nominaal vermogen:</b> -0,39%/°C
<b>Temperatuurcoëfficiënt van nullastspanning:</b> -0,33%/°C
<b>Temperatuurcoëfficiënt van kortsluitspanning:</b> 0,06%/°C
<b>Maximale systeemspanning:</b> 600 VDC (UL)
<b>Maximale stroomsterkte zekering:</b> 15 A

### Algemeen

<b>Gewicht zonnepaneel:</b> Ca. 6,2 kg (13,7 lbs)
<b>Afmetingen:</b> 98*58,6*3 cm (38,6*23,1*1,2 in)

### Testen en certificering



\*Standaardtestomstandigheden:  $1000 \text{ W/m}^2$  ( $92,9 \text{ W/ft}^2$ ), AM1.5, 25 °C

## Specificaties temperatuurcoëfficiënt

Temperatuurcoëfficiënt van vermogen	-(0,39+/-0,02)%/k
Temperatuurcoëfficiënt van spanning	-(0,33+/-0,03)%/k
Temperatuurcoëfficiënt van stroom	+(0,06+/-0,015)%/k

## 8. Veelgestelde vragen

### Waarom levert het zonnepaneel van 100 W tijdens gebruik niet zoveel vermogen als wordt aangegeven?

In de meeste gevallen is het normaal dat een zonnepaneel niet het volledige nominale vermogen levert. Hieronder vindt u enkele redenen waarom dit gebeurt en enkele suggesties om dichterbij het nominale vermogen te komen.

1. **Lichtintensiteit.** De hoeveelheid licht die op het paneel schijnt, leidt tot schommelingen in het uitgangsvermogen. De kans is groter dat u een nominaal uitgangsvermogen bereikt dat dichterbij ligt bij de waarden die zijn verkregen onder testomstandigheden, als u het product gebruikt op een heldere dag tijdens de middag, dan wanneer u het product 's ochtends of later in de middag gebruikt. Ook de weersomstandigheden beïnvloeden de hoeveelheid zonlicht die op het paneel schijnt. U hebt bijvoorbeeld veel minder kans om de nominale vermogenswaarden te bereiken in mistige, bewolkte of regenachtige omstandigheden.
2. **Oppervlaktetemperatuur.** De temperatuur van het oppervlak van het zonnepaneel is ook van invloed op de hoeveelheid opgewekte stroom. Hoe lager de oppervlaktetemperatuur van het paneel, hoe meer vermogen wordt geproduceerd. Zonnepanelen genereren bijvoorbeeld meer energie in de winter dan in de zomer, en dit is volkomen normaal. Zonnepanelen bereiken in de zomer doorgaans temperaturen van 60 °C (140 °F). Dit vermindert het nominale vermogen met 10-15%, ondanks het hogere lichtniveau op het paneel.
3. **De hoek van het zonlicht.** Bij optimale lichtomstandigheden moeten de zonnestralen loodrecht op het oppervlak van het zonnepaneel schijnen voor de beste prestaties. De meeste zonnepanelen die op het dak van een recreatievoertuig zijn geïnstalleerd, kunnen echter alleen naast elkaar worden geïnstalleerd. Dit betekent dat de panelen niet onder een optimale hoek kunnen worden geïnstalleerd. Dit verschil leidt tot een vermogensverlies van ongeveer 5%-15%.
4. **Schaduw op paneel.** Het oppervlak van het zonnepaneel mag tijdens het gebruik niet in de schaduw liggen. Donkere plekken die worden veroorzaakt door schaduwen, externe objecten en glas kunnen het vermogen aanzienlijk verminderen.

Prestatieproblemen veroorzaakt door slecht functionerende panelen: Als het paneel nog steeds geen vermogen genereert of als de uitvoer ervan ver onder de verwachte nominale vermogenswaarden blijft na het oplossen van de bovenstaande problemen, is er mogelijk een probleem met het paneel zelf. Neem contact op met de klantenservice voor hulp.

### Hoeveel vermogen kan het zonnepaneel van 100 W onder normale omstandigheden genereren?

Dit is in de eerste plaats afhankelijk van de weersomstandigheden. Over het algemeen genereert zonlicht dat op een heldere dag zonder wolken het paneel van 100 W in een hoek van 90° raakt een vermogen van 70 W tot 80 W (de huidige lichtomstandigheden zijn gewoonlijk 800-900 W/m<sup>2</sup> (74,3-83,6 W/ft<sup>2</sup>) bij een paneeltemperatuur van 50 °C (32 °F) onder testomstandigheden. Nominale vermogens zijn gebaseerd op 1000 W/m<sup>2</sup> (92,9 W/ft<sup>2</sup>) in AM1.5-omstandigheden met een paneeltemperatuur van 25 °C onder testomstandigheden. De uitgangsvermogens in de buurt van de nominale waarden werden meestal waargenomen rond het middaguur in de winter.

### Hoe groot is het bedrijfstemperatuurbereik en welke voorzorgsmaatregelen moeten worden genomen voor het gebruik van het paneel van 100 W?

Het bedrijfstemperatuurbereik van het zonnepaneel is -20 °C tot 85 °C (-4 °F tot 185 °F). Lees de handleiding van het product zorgvuldig door voordat u het gaat gebruiken. De zonnepanelen bestaan uit cellen van monokristallijn silicium. Ondanks hun flexibiliteit moeten de panelen voorzichtig worden gehanteerd; voorkom dat over de panelen wordt gelopen of dat er met voorwerpen op wordt geslagen. Deze acties kunnen ertoe leiden dat de cellen barsten waardoor de prestaties van het paneel afnemen. Schade als gevolg van onjuiste hantering en onjuist gebruik valt niet onder de garantie.

#### **Kan ik zonnepanelen van 100 W in serie schakelen?**

Ja, maar dit wordt niet aanbevolen. Lees de instructies in de gebruikershandleiding aandachtig door. Let daarbij vooral op de vereisten voor energieopslagcontrollers en de beperkingen van het vermogen van het zonnepaneel om te voorkomen dat zonnepanelen met verschillende vermogens in serie worden geschakeld waardoor er een 1+1<2-effect ontstaat.

#### **Kan ik zonnepanelen van 100 W parallel aansluiten?**

Ja. Met parallelschakeling wordt het vermogen verhoogd door een verdubbeling van de stroomsterkte. Het maximaal toegestane aantal parallel geschakelde panelen van 100 W is afhankelijk van de controller en het energieopslagsysteem van uw recreatievoertuig. Zorg ervoor dat het energieopslagsysteem van uw voertuig een hogere ingangsstroom ondersteunt. Gebruik daarnaast draden met een diameter die geschikt is voor de uitgangsstroom om de panelen veilig parallel te schakelen.

#### **Moet ik het zonnepaneel van 100 W regelmatig reinigen?**

Ja. Er kunnen zich stofdeeltjes en vreemde voorwerpen op het oppervlak van het zonnepaneel ophopen wanneer het paneel gedurende lange tijd buiten wordt gebruikt. Hierdoor wordt het licht in zekere mate geblokkeerd en neemt het vermogen af. Regelmatig reinigen kan helpen om het oppervlak van het zonnepaneel schoon en vrij van vreemde voorwerpen te houden en een hoger uitgangsvermogen te genereren.

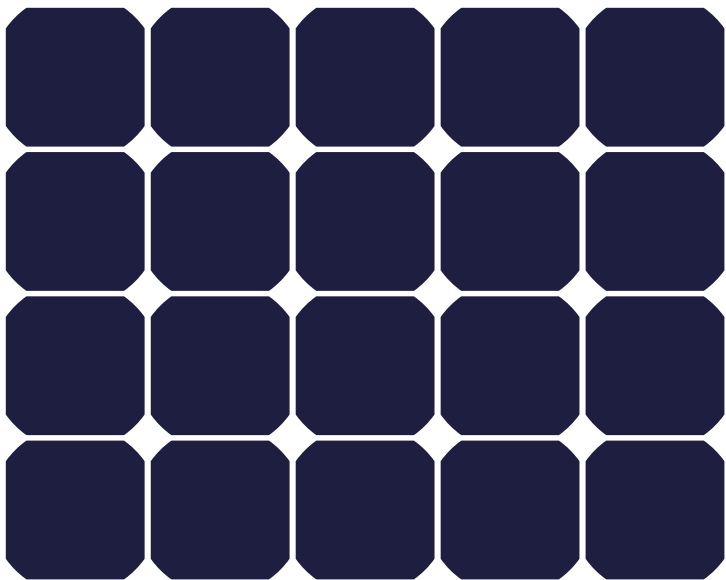
## 9. Onderhoud

### **Wij raden aan het volgende onderhoud uit te voeren om optimale prestaties van de module te garanderen:**

1. Reinig het glasoppervlak van de module indien nodig met water en een zachte spons of doek. Verwijder hardnekkig vuil met een mild reinigingsmiddel. Gebruik geen scherpe en/of harde reinigingshulpmiddelen. Aanbevolen wordt om het paneel alleen 's ochtends of 's avonds te reinigen wanneer de hoeveelheid zonlicht beperkt is [straling  $\leq 200 \text{ W/m}^2$  ( $18,6 \text{ W/ft}^2$ )].
2. Controleer elke zes maanden of de elektrische en mechanische aansluitingen schoon en onbeschadigd zijn en stevig vast zitten.
3. Voorkom dat bladeren en andere voorwerpen het oppervlak van het zonnepaneel bedekken. Schaduw op het zonnepaneel beïnvloedt niet alleen de efficiëntie van de energieopwekking, maar kan ook leiden tot een te hoge stroomsterkte waardoor onderdelen beschadigd raken.

**Laat in geval van problemen altijd een gekwalificeerde expert onderzoek doen. Zorg ervoor dat de onderhoudsinstructies worden gevolgd voor alle onderdelen van het systeem, waaronder beugels, laadregelaars, omvormers, batterijen, enz.**





# ≡ COFLOW

Солнечная панель с  
одинарным стеклом 100 Вт

**Контакты:**  
[ecoflow.com](http://ecoflow.com)

NA/LA/APAC/MEA: [support@ecoflow.com](mailto:support@ecoflow.com)  
EU: [support.eu@ecoflow.com](mailto:support.eu@ecoflow.com)  
AU: [support.au@ecoflow.com](mailto:support.au@ecoflow.com)



1 Цель	1
2 Отказ от ответственности	1
3 Общие указания по технике безопасности	1
4 Меры предосторожности	2
5 Порядок установки и меры предосторожности	
5.1 Распаковка и меры предосторожности	2
5.2 Условия установки	3
5.3 Меры предосторожности при установке	4
5.4 Установка с помощью болтов	6
6 Ввод в эксплуатацию и устранение неисправностей	9
7 Технические характеристики устройства	9
8 Часто задаваемые вопросы	10
9 Техническое обслуживание	11

## 1. Цель

Данное руководство содержит информацию о солнечных элементах и их установке. Перед приобретением и установкой панелей внимательно ознакомьтесь с данным руководством, чтобы обеспечить правильное использование панелей. Любое неправильное использование может привести к серьезным травмам пользователя или других лиц, повреждению устройства или потере имущества.

При возникновении вопросов вы можете обратиться к нам за разъяснениями.

При установке модулей монтажники должны соблюдать все меры предосторожности, описанные в данном руководстве, и все местные правила и нормы. Перед установкой солнечных фотоэлектрических систем монтажники должны ознакомиться с механическими и электрическими требованиями таких систем.

После ознакомления с данным руководством храните его в надежном месте для дальнейшего использования в качестве справочного материала по обслуживанию и ремонту.

Данный документ относится к следующей серии солнечных модулей: EF-SG-M100

## 2. Отказ от ответственности

Поскольку использование данного руководства, а также условия или способы установки, эксплуатации, использования и технического обслуживания фотоэлектрических устройств могут выходить за рамки контроля EcoFlow, компания EcoFlow не несет ответственности за такие нестандартные способы установки и эксплуатации, а также любой ущерб, убытки и повреждения, вызванные ими или любым иным образом связанные с ними.

Компания EcoFlow не несет ответственности за нарушение патентов или иных прав третьих сторон, которые могут быть вызваны использованием способов установки, дополнительных принадлежностей и т. д., не предоставленных нашей компанией, во время установки и использования.

Информация об устройстве и примеры установки, приведенные в данном руководстве, основаны на знаниях и опыте компании EcoFlow и ее партнеров и считаются надежными, однако ограничения и рекомендации, приведенные в данной информации, включая технические характеристики устройства, не содержат явных или подразумеваемых гарантий.

Перед использованием устройства внимательно ознакомьтесь с руководством пользователя и заявлением об отказе от ответственности за данное устройство. Используя данное устройство, пользователь подтверждает, что он понял, принял и согласен соблюдать все условия и положения данного документа и несет ответственность за свои действия и все последствия, возникающие в связи с ними. Настоящим EcoFlow снимает с себя ответственность за любые убытки, вызванные тем, что пользователь не использовал устройство в соответствии с руководством пользователя.

При условии соблюдения законов и правил, наша компания имеет окончательное право интерпретировать данный документ и все документы, относящиеся к данному устройству. Любое обновление, пересмотр или отмена его содержания, при необходимости, будет производиться без предварительного уведомления, и пользователи должны посетить официальный сайт EcoFlow для получения актуальной информации об устройстве.

## 3. Общие указания по технике безопасности

К выполнению работ по установке солнечных фотоэлектрических систем допускаются только квалифицированные специалисты, обладающие соответствующими профессиональными навыками и знаниями. Все солнечные модули оснащены коммутационной коробкой с постоянной проводкой и проводами с площадью поперечного сечения 2,5 мм<sup>2</sup> (0,004 дюйма<sup>2</sup>). Монтажники берут на себя все риски, связанные с получением травм, которые могут возникнуть во время установки, включая, помимо прочего, риск поражения электрическим током.

При воздействии прямых солнечных лучей один модуль может генерировать напряжение постоянного тока выше 24 В. Воздействие напряжения постоянного тока 24 В или выше потенциально опасно. При отсоединении проводов, подключенных к фотоэлектрическим элементам, находящимся под солнечными лучами, может возникнуть электрическая дуга. Такая электрическая дуга может приводить к ожогам или возгораниям. Соблюдайте особую осторожность при выполнении работ, иначе это может повлечь за собой дополнительные проблемы. Важно защитить себя от электричества!

Солнечные модули преобразуют солнечную энергию в постоянный ток и предназначены для использования вне помещений. Модули могут быть установлены на крыше неподвижных наружных сооружений, и разработчики и установщики системы несут ответственность за соответствие несущей конструкции эксплуатационным требованиям. Не разбирайте модуль и не снимайте прикрепленные паспортные таблички или компоненты.

Не наносите краску, клей или вещества, которые могут препятствовать попаданию света на элемент питания, на светопринимающую поверхность модуля.

Не подвергайте поверхность модуля воздействию интенсивного, искусственно сфокусированного солнечного света. При установке систем соблюдайте все местные, региональные и национальные законы и нормативные акты. При установке на транспортное средство или судно соблюдайте соответствующие местные и национальные законы и нормативные акты.

## 4. Меры предосторожности

Когда на светопринимающую поверхность солнечного модуля попадает солнечный свет, солнечный модуль генерирует постоянный ток напряжением более 24 В. При последовательном подключении модулей общее напряжение равно сумме напряжений каждого модуля. При параллельном подключении модулей общий ток равен сумме токов каждого модуля.

При транспортировке и установке любых механических и электрических компонентов следите за тем, чтобы дети не приближались к системе и месту установки.

Во время установки рекомендуется полностью накрыть светопринимающую поверхность модуля непрозрачным материалом и отсоединить плюсовую и минусовую клеммы во избежание проблем, связанных с генерацией электроэнергии.

При установке фотоэлектрической системы или поиске и устранении неисправностей в фотоэлектрической системе снимайте металлические кольца, ремни, серьги, кольца для носа и губ и другие металлические предметы и используйте только инструменты с изоляцией, предназначенные для электромонтажных работ.

Соблюдайте указания по технике безопасности для всех других компонентов, используемых в системе, включая кабели, разъемы, контроллеры, регуляторы заряда, инверторы, аккумуляторные батареи и другие перезаряжаемые батареи и т. д.

Используйте только устройства, разъемы, провода и кронштейны, подходящие для установки данной солнечной системы. Всегда используйте модули одного типа в одной фотоэлектрической системе. Шунтирующие диоды встроены в коммутационную коробку для всех модулей.

Для любого отдельного модуля или комбинации нескольких модулей, соединенных последовательно или параллельно, площадь поперечного сечения кабеля и пропускная способность разъема должны соответствовать максимальному току короткого замыкания в системе, в противном случае кабель и разъем будут перегреваться при высоких токах.

Предохранители постоянного тока должны соответствовать классу защиты модуля от перегрузки по току.

При нормальных условиях эксплуатации вне помещений токи и напряжения, генерируемые модулем, будут отличаться от значений, указанных в спецификации, в зависимости от погодных условий и температуры окружающей среды. На паспортной табличке указаны ожидаемые значения при стандартных условиях испытаний (СУИ).

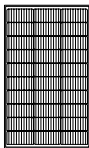
## 5. Порядок установки и меры предосторожности

Перед установкой получите информацию о любых требованиях к объекту, установке и инспекции, а также требуемых предварительных разрешениях в соответствующих органах власти.

**При установке устройства на крыше транспортного средства убедитесь, что крыша защищена от пожара:** на месте установки не должно быть легковоспламеняющихся материалов. Перед установкой необходимо полностью отсоединить плюсовую и минусовую клеммы солнечной панели. Используйте для электромонтажных работ только одобренные инструменты с изоляцией.

### 5.1 Распаковка и меры предосторожности

Осторожно распакуйте солнечную панель, соблюдая все инструкции, приведенные на упаковке. Содержимое упаковки:



Солнечная панель



Руководство пользователя  
и гарантийный талон

#### Примечание:

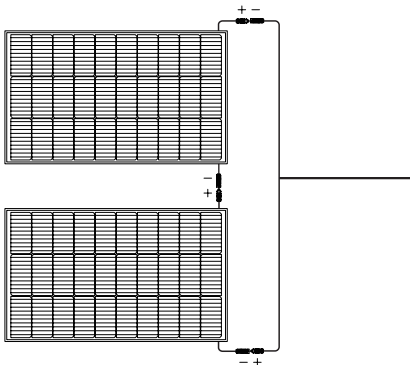
1. Запрещается наступать на модуль, ходить по нему, а также стоять и прыгать на нем, так как неравномерная нагрузка может привести к возникновению микротрещин на элементе питания и, в конечном счете, к снижению надежности и эффективности модуля.
2. Не используйте острые инструменты для выполнения надрезов, разрезов, срезов или прорезей на модуле, особенно на задней стороне.
3. Следите за тем, чтобы все электрические контакты и разъемы были чистыми и сухими.

## 5.2 Условия установки

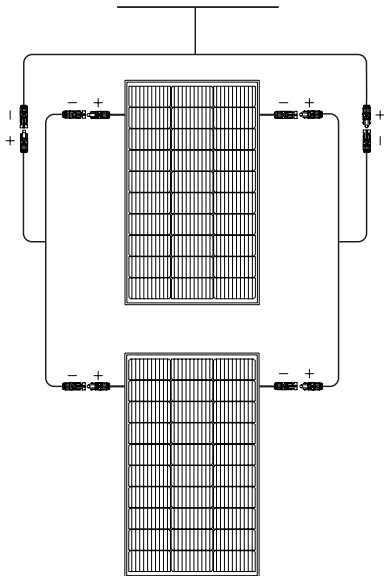
Убедитесь, что модули соответствуют общим техническим требованиям системы и что другие компоненты системы не могут повредить механические или электрические компоненты модулей.

Модули могут быть соединены последовательно для увеличения напряжения или параллельно для увеличения тока. При последовательном соединении плюсовая клемма одного модуля соединяется с минусовой клеммой второго модуля. При параллельном соединении плюсовая клемма одного модуля соединяется с плюсовой клеммой второго модуля, а минусовая — с минусовой.

На схеме показано последовательное соединение:



На схеме показано параллельное соединение:



**Рекомендуется подключать модули с одинаковой электрической выходной мощностью последовательно, чтобы не допускать несоответствия характеристик и возникновения эффекта 1+1<2.**

Не закрывайте сливное отверстие в нижней части модуля (см. схему ниже).

Не допускайте затенения панели, так как даже небольшая тень может снизить выходную мощность. Убедитесь, что солнечные лучи будут попадать на поверхность модуля даже в самый короткий день года.

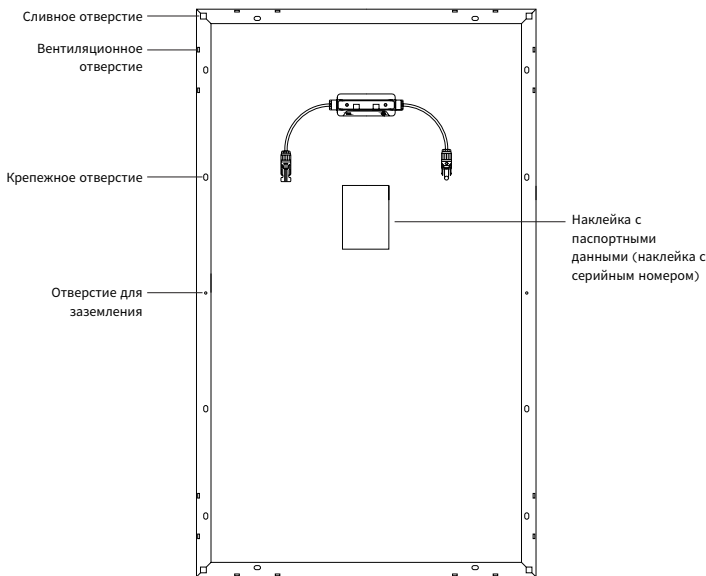
Для генерирования максимального количества электроэнергии модуль должен быть ориентирован строго на юг, если он находится в северном полушарии, и строго на север, если он находится в южном полушарии. Дополнительную информацию об оптимальном угле подъема для вашей системы вы найдете в стандартном руководстве по установке фотоэлектрической системы для вашего региона или в требованиях к углу установки хорошо известного монтажного предприятия или системного интегратора, занимающегося установкой солнечных панелей.

### 5.3 Меры предосторожности при установке

Все следующие способы установки приведены только для справки, и соответствующие аксессуары для установки необходимо приобретать отдельно. Любой установщик системы должен убедиться, что установка соответствует всем спецификациям во время работы.

Модуль должен быть установлен с помощью крепежных отверстий в раме солнечного модуля [12 отверстий, Д\*Ш: 11 × 7 мм (0,4 × 0,3 дюйма)]. Наиболее распространенным методом установки является установка модуля с помощью четырех симметричных отверстий, расположенных рядом с центром рамы.

Как показано ниже:



**Примечание:**

1. Отверстия в центре каждой длинной стороны используются для заземления.
2. Модули должны быть надежно закреплены, чтобы выдержать все ожидаемые нагрузки, включая ветровые и снеговые нагрузки.
3. Зазор между модулями должен быть не менее 12,7 мм (0,5 дюйма).

**Каждый модуль имеет две наклейки, содержащие следующую информацию:**

Наклейка с паспортными данными: содержит информацию о типе устройства, электрических характеристиках, массе, размерах и т. д., измеренных в стандартных условиях испытаний.

Наклейка с серийным номером: каждый модуль имеет уникальный серийный номер.

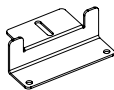
**Примечание: не снимайте наклейки с солнечной панели, удаление любых наклеек приводит к аннулированию гарантии на продукцию EcoFlow.**



## 5.4 Установка с помощью болтов

Для установки требуется специальный комплект болтов (приобретается отдельно), в который входят следующие элементы:

Четыре Z-образных кронштейна, четыре болта с шестигранной головкой М6 (с гайками), четыре большие шайбы М6, четыре плоские шайбы М6, четыре пружинные шайбы М6 и восемь самонарезающих винтов с шестигранной головкой [5,5\*38 мм (0,2\*1,5 дюйма)]



Z-образный  
кронштейн x4



Болт с шестигранной  
головкой (с гайкой) x4



Большая  
шайба М6  
x4



Плоская  
шайба М6  
x4



Пружинная  
шайба М6  
x4

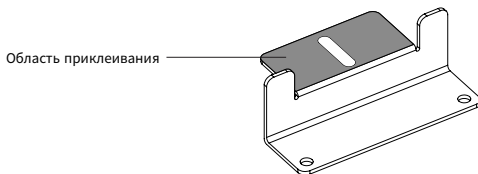


Самонарезающий  
винт с  
шестигранной  
головкой x8

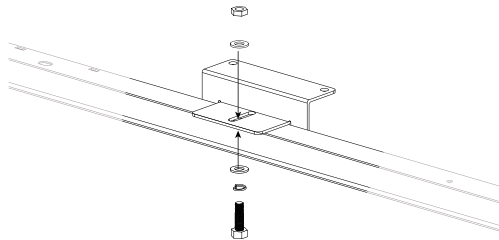
- Необходимо использовать болт, гайку и шайбу из нержавеющей стали М6, а также крепежное отверстие на задней стороне рамы модуля.
- Используйте подходящие коррозионно-стойкие крепежные материалы, изготовленные из нержавеющей стали.
- Не сверлите отверстия в раме модуля и не вносите изменения в ее конструкцию, так как это приведет к аннулированию гарантии.
- Каждый модуль должен быть надежно закреплен в четырех или более точках в противоположных направлениях.
- При установке на крыше или кузове автомобиля обязательно оставляйте зазор между солнечной панелью и крышей или кузовом для циркуляции воздуха и рассеивания тепла.

**Выполните следующие действия:**

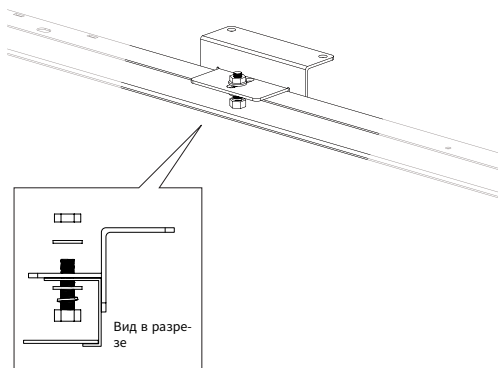
- С помощью ручного клеевого пистолета нанесите конструкционный клей на соответствующую область (поверхность, контактирующую с рамой) Z-образного кронштейна.



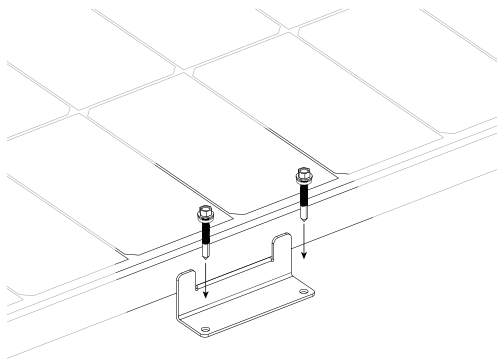
2. Разместите Z-образный кронштейн в соответствующем положении и установите болт с шестигранной головкой М6, плоскую шайбу М6 и пружинную шайбу М6.



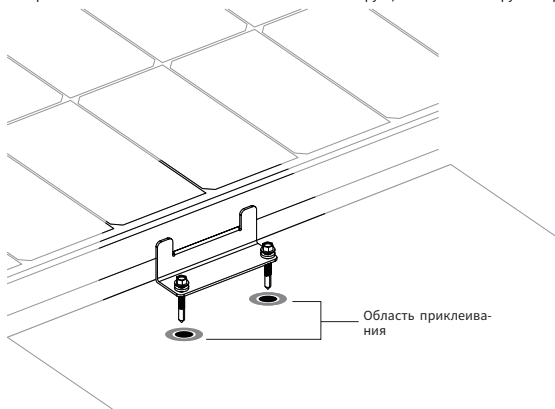
3. Затем установите большую шайбу и затяните гайку.



4. Разместите солнечную панель с Z-образным кронштейном на крыше автомобиля в монтажном положении и просверлите отверстия на крыше в тех местах, где располагаются отверстия в основании Z-образного кронштейна.



5. Очистите отверстия и нанесите клей (обязательно нанесите конструкционный клей вокруг отверстия).



7. После совмещения основания Z-образного кронштейна с отверстиями в крыше установите самонарезающие винты с шестигранной головкой [5,5\*38 мм (0,2\*1,5 дюйма), с пластиковым кольцом], оставьте их не менее чем на 24 ч и дождитесь затвердевания конструкционного клея [температура окружающей среды  $\leq 30$  °C (86 °F), влажность  $\leq 70$  % отн. влаж.].
8. После затвердевания конструкционного клея удалите излишки клея с основания кронштейна и крыши. При необходимости установите остальные солнечные панели и подключите их последовательно или параллельно.

## 6. Ввод в эксплуатацию и устранение неисправностей

Компания EcoFlow рекомендует привлекать квалифицированных специалистов по фотоэлектрическим системам для выполнения любых работ по вводу в эксплуатацию и техническому обслуживанию системы солнечных модулей!

Перед подключением к системе проверьте подключенные модули. Всегда проверяйте все электрические и электронные компоненты системы перед вводом в эксплуатацию и всегда следуйте инструкциям, прилагаемым к каждому компоненту и устройству.

Для проверки электрических характеристик модуля его, как правило, подвергают воздействию солнечного света без подключения к нагрузке. Соблюдайте осторожность при выполнении этих измерений для обеспечения собственной безопасности.

В случае возникновения проблем с выработкой электроэнергии выполните следующие действия для устранения проблемы:

- Проверьте все провода, чтобы убедиться в отсутствии обрывов или ненадежных соединений.
- Проверьте напряжение разомкнутой цепи каждого модуля.
- Проверьте напряжение разомкнутой цепи, полностью накрыв модуль непрозрачным материалом. Затем снимите непрозрачный материал и измерьте напряжение разомкнутой цепи на его клеммах и сравните показания.

Если напряжение между клеммами отличается более чем на 5% от номинального значения при интенсивности излучения  $\geq 700 \text{ Вт/м}^2$  ( $65,0 \text{ Вт/фут}^2$ ), это указывает на плохое электрическое соединение.

## 7. Технические характеристики устройства

### Солнечная панель с одинарным стеклом 100 Вт

Номинальная мощность: 100 Вт (+/-5 Вт)
Напряжение разомкнутой цепи: 20,3 В
Ток короткого замыкания: 6,3 А
Максимальное рабочее напряжение: 17,1 В
Максимальный рабочий ток: 5,9 А
Температурный коэффициент номинальной мощности: $-0,39\%/^{\circ}\text{C}$
Температурный коэффициент напряжения разомкнутой цепи: $-0,33\%/^{\circ}\text{C}$
Температурный коэффициент тока короткого замыкания: $0,06\%/^{\circ}\text{C}$
Максимальное напряжение системы: 600 В пост. тока (UL)
Максимальный ток предохранителя: 15 А

### Общие характеристики

Масса солнечной панели: прибл. 6,2 кг (13,7 фунта)
Размеры: 98*58,6*3 см (38,6*23,1*1,2 дюйма)

### Испытания и сертификация



\* Стандартные условия испытаний:  $1000 \text{ Вт/м}^2$  ( $92,9 \text{ Вт/фут}^2$ ), AM1.5, 25 °C

## Значения температурного коэффициента

Температурный коэффициент мощности	$-(0,39+/-0,02)\%/K$
Температурный коэффициент напряжения	$-(0,33+/-0,03)\%/K$
Температурный коэффициент силы тока	$+(0,06+/-0,015)\%/K$

## 8. Часто задаваемые вопросы

### Почему солнечная панель мощностью 100 Вт не выдает заявленную мощность при фактическом использовании?

В большинстве случаев солнечная панель не достигает своей полной номинальной мощности. Ниже описаны некоторые причины, по которым это происходит, а также приводятся некоторые рекомендации, которые помогут вам приблизиться к номинальной мощности.

1. **Интенсивность светового излучения.** Количество света, попадающего на панель, вызывает колебания выходной мощности. Вы с большей вероятностью добьетесь выходной мощности, близкой к номинальным значениям, полученным в ходе испытаний, при использовании устройства в ясную погоду под полуденным солнцем, чем при использовании устройства утром или после обеда. Погодные условия также влияют на количество солнечного света, попадающего на панель. Например, вероятность достижения номинальной мощности в пасмурную или дождливую погоду намного ниже.
2. **Температура поверхности.** Температура поверхности солнечной панели также влияет на количество генерируемой энергии. Чем ниже температура поверхности панели, тем больше мощности будет вырабатываться. Так, например, солнечные панели вырабатывают больше энергии зимой, чем летом, и это совершенно нормально. Летом солнечные панели, как правило, нагреваются до 60 °C (140 °F). В результате выходная мощность снижается на 10–15%, несмотря на большее количество света, попадающего на панель.
3. **Угол падения солнечного света.** При хорошей освещенности солнечная панель может оставаться в положении, при котором солнечные лучи падают на поверхность под прямым углом, для обеспечения более эффективной работы. Однако большинство солнечных панелей могут быть установлены на крыше жилых автофургонов только в плиточной конфигурации, что делает невозможной установку панелей под оптимальным углом. Это приводит к падению выходной мощности приблизительно на 5–15%.
4. **Затенение панели.** Во время использования поверхность солнечной панели не должна находиться в тени. Затенение, вызванное посторонними предметами и стеклом, может значительно снизить выходную мощность. Снижение производительности, вызванное неисправностями панелей: если панель по-прежнему не генерирует энергию или ее выходная мощность остается значительно ниже ожидаемых номинальных значений после устранения вышеперечисленных проблем, возможно, возникла проблема с самой панелью. Обратитесь за помощью в службу поддержки клиентов.

### Какую мощность может вырабатывать солнечная панель мощностью 100 Вт в нормальных условиях?

Это зависит прежде всего от погодных условий. Как правило, в ясный день, когда на небе нет облаков, солнечные лучи, падающие на панель под углом 90°, генерируют 70–80 Вт на панели мощностью 100 Вт (текущие условия освещенности обычно составляют 800–900 Вт/м<sup>2</sup> (74,3–83,6 Вт/фут<sup>2</sup>) при температуре панели 50 °C (32 °F) в условиях испытаний. Номинальная мощность основана на 1000 Вт/м<sup>2</sup> (92,9 Вт/фут<sup>2</sup>) в условиях AM1.5 при температуре панели 25 °C в условиях испытаний. Значения выходной мощности, близкие к номинальным значениям, как правило, наблюдались зимой под полуденным солнцем.

## **Каков диапазон рабочей температуры и какие меры предосторожности следует соблюдать при использовании панели мощностью 100 Вт?**

Рабочая температура солнечной панели составляет от -20 до 85 °C (от -4 до 185 °F). Перед использованием внимательно ознакомьтесь с руководством по эксплуатации устройства. Солнечные панели изготовлены из монокристаллических кремниевых пластин. Во время установки и использования не бросайте панели на землю, не наступайте на них, не ударяйте по ним посторонними предметами и не садитесь на их поверхность, так как такие действия могут привести к повреждению монокристаллических кремниевых пластин и ухудшению характеристик панелей. Ущерб, обусловленный человеческим фактором, не покрывается бесплатной гарантией.

### **Можно ли соединять солнечные панели мощностью 100 Вт последовательно?**

Да, но это не рекомендуется. Внимательно ознакомьтесь с инструкциями в руководстве пользователя и обратите особое внимание на требования к контроллеру системы хранения энергии и ограничения выходной мощности солнечной панели, чтобы не допустить последовательного соединения солнечных панелей с разной силой тока, так как в этом случае панели не смогут работать с полной мощностью и возникнет эффект 1+1<2.

### **Можно ли соединять солнечные панели мощностью 100 Вт параллельно?**

Да. Параллельное подключение панелей увеличивает мощность за счет удвоения силы тока. Максимально допустимое количество панелей мощностью 100 Вт, подключаемых параллельно, зависит от контроллера и оборудования для хранения энергии вашего автофургона. Убедитесь, что используемая в автомобиле система хранения энергии поддерживает более высокий входной ток, и используйте провода диаметром, подходящим для выходного тока, для безопасного параллельного подключения панелей.

### **Нужно ли регулярно чистить солнечную панель мощностью 100 Вт?**

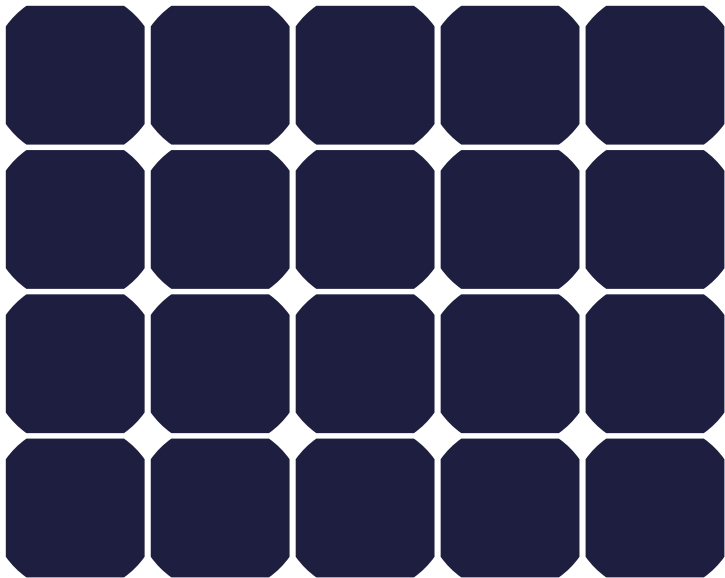
Да. При длительном использовании панели вне помещения на поверхности солнечной панели может скапливаться много пыли и посторонних предметов, которые могут в определенной степени препятствовать прохождению света, снижая выходную мощность. Регулярная очистка помогает обеспечивать чистоту солнечной панели и отсутствие посторонних предметов на ее поверхности и, соответственно, более высокую выходную мощность.

## **9. Техническое обслуживание**

**Для обеспечения оптимальной работы модуля рекомендуется выполнять следующие работы по техническому обслуживанию:**

1. При необходимости очистите стеклянную поверхность модуля водой и мягкой губкой или тканью. Стойкие загрязнения можно удалить с помощью мягкого моющего средства. Не используйте для очистки острые и/или твердые инструменты. Рекомендуется выполнять очистку только утром и вечером при слабом солнечном свете [интенсивность излучения  $\leq 200 \text{ Вт/м}^2$  ( $18,6 \text{ Вт/фут}^2$ )].
2. Проверяйте электрические и механические соединения раз в шесть месяцев, чтобы убедиться в их чистоте, надежности и целостности.
3. Следите за тем, чтобы на поверхности солнечной панели не было листьев и других предметов. Частичное затенение солнечной панели не только влияет на эффективность выработки энергии, но и может привести к возникновению недопустимо высокого тока на некоторых участках и выгоранию компонентов.

**В случае возникновения проблем всегда обращайтесь к квалифицированному специалисту и следуйте инструкциям по техническому обслуживанию всех компонентов системы, таких как кронштейны, регуляторы заряда, инверторы, аккумуляторы и т. д.**



# ≡COFLOW

## 100W 단일 유리 태양광 패널

문의하기:

[ecoflow.com](http://ecoflow.com)

[support.kr@ecoflow.com](mailto:support.kr@ecoflow.com)





<b>1 목적</b>	<b>1</b>
<b>2 면책 고지</b>	<b>1</b>
<b>3 일반 안전 정보</b>	<b>1</b>
<b>4 안전 주의사항</b>	<b>2</b>
<b>5 설치 절차 및 주의사항</b>	
5.1 개봉 및 주의사항	2
5.2 설치 전 요구사항	3
5.3 설치 주의사항	4
5.4 볼트 설치	6
<b>6 시운전 및 문제 해결</b>	<b>9</b>
<b>7 제품 사양</b>	<b>9</b>
<b>8 FAQ</b>	<b>10</b>
<b>9 유지관리</b>	<b>11</b>

## 1. 목적

본 설명서에는 태양 에너지 장치와 그 설치에 대한 정보가 포함되어 있습니다. 패널을 올바르게 사용하기 위해 패널 설치하기 전에 본 설명서를 읽고 숙지하십시오. 잘못 사용 시 사용자 또는 다른 사람이 중상을 입거나 제품이 손상되거나 재산이 손실될 수 있습니다.문의 사항이 있으시면 언제든지 문의하여 자세한 설명을 받으시기 바랍니다.

설치자는 모듈을 설치할 때 본 설명서와 현지 규정에 명시된 모든 안전 예방 조치를 따라야 합니다. 태양광 발전 시스템을 설치하기 전에 설치자는 이러한 시스템의 기기 및 전력에 대한 요건을 숙지해야 합니다.

본 설명서를 읽고 난 후에는 추후 정비 및 유지관리 정보를 참조할 수 있도록 안전한 장소에 보관하십시오.

본 문서는 다음과 같은 태양광 모듈 시리즈에 적용됩니다. EF-SG-M100

## 2. 면책 고지

EcoFlow는 본 설명서의 사용, 태양광 발전(PV) 제품의 설치, 작동, 사용, 유지관리 조건 또는 방법이 당사의 통제를 벗어날 수 있는 경우에 대하여 비표준 설치 및 운영에 대한 어떠한 책임도 지지 않으며, 이와 관련하여 발생하는 손실, 손상, 유지관리 요구에 대해서도 명시적으로 거부합니다.

EcoFlow는 당사가 제공하지 않은 설치 방법, 부속품 등의 채택으로 인해 설치 및 사용 중 발생할 수 있는 타사 특허 또는 기타 권리 침해에 대해 책임지지 않습니다.

본 설명서의 제품 정보 및 설치 예시는 EcoFlow 및 파트너사의 관련 지식과 경험을 바탕으로 제공되어 신뢰할 수 있지만, 제품 사양을 포함한 정보의 제한 및 권장 사항에 대해서는 명시적 또는 묵시적으로 보증하지 않습니다.

제품 사용 전 사용 설명서와 본 제품에 대한 면책 사항을 주의 깊게 검토하십시오. 사용자는 본 제품을 사용함으로써 본 사용 설명서의 모든 약관과 내용을 이해, 인지, 동의한 것으로 간주되며, 잘못된 사용 및 그로 인해 발생하는 모든 결과에 대한 책임은 사용자에게 있습니다.

EcoFlow는 사용 설명서에 따라 제품을 사용하지 않음으로써 발생한 손실에 대해 어떠한 책임도 지지 않습니다.

법률 및 규정에 따라, 본 문서와 제품 관련 기타 문서를 최종 해석할 권리는 당사에 있습니다. 필요한 경우 사전 통보 없이 내용을 업데이트, 수정 및 종료할 수 있으며, 사용자는 EcoFlow 공식 웹사이트를 방문하여 제품에 대한 최신 정보를 확인할 수 있습니다.

## 3. 일반 안전 정보

태양광 발전 시스템은 관련 전문 기술과 지식을 갖춘 자격을 갖춘 인력이 설치해야 합니다. 모든 태양광 모듈에는 상시 연결된 접속함과 2.5mm<sup>2</sup>(0.004제곱인치)와이어가 장착되어 있습니다. 설치자는 감전 위험 등 설치 중에 발생할 수 있는 모든 부상 위험을 감수해야 합니다.

직사광선에 노출되면 단일 모듈에서 24V 이상의 DC 전압이 발생할 수 있는데, 24V 이상의 DC 전압에 노출되는 것은 위험할 수 있습니다. 햇빛에 노출된 PV 장치에 연결된 와이어를 분리할 때는 아크가 발생할 수 있으며, 아크는 화상이나 화재의 원인이 될 수 있습니다. 작업 시 각별히 주의하지 않으면 추가적인 문제가 발생할 수 있습니다. 전기로부터 자신을 보호하는 것이 중요합니다!

태양광 모듈은 태양 에너지를 DC 전기로 변환하고 야외에서 사용하도록 설계되었습니다. 모듈은 고정된 실외 물체 위에 설치할 수 있으며, 시스템 설계자와 설치자는 모듈 지지 구조물의 설계를 준수할 책임이 있습니다.

모듈을 분해하거나 부착된 명판 또는 구성 요소를 제거하지 마십시오.

배터리 셀의 빛을 차단하는 페인트, 접착제, 물질을 모듈의 수광 표면에 도포하지 마십시오.

모듈 표면을 인공적으로 모아진 증폭된 햇빛에 노출시키지 마십시오.

시스템을 설치할 때는 모든 지역 및 국가의 법률과 규정을 준수하십시오. 차량 또는 선박에 설치할 때는 관련 지역 및 국가의 법률과 규정을 준수하십시오.

## 4. 안전 주의사항

태양광 모듈의 수광 표면에 빛이 비칠 때, 태양광 모듈은 24V 이상의 전압으로 DC 전기를 발생시킵니다. 모듈이 직렬로 연결된 경우 총 전압은 각 모듈의 전압 합계와 같습니다. 모듈이 병렬로 연결된 경우 총 전류는 각 모듈의 전류 합계와 같습니다.

기계와 전기 장치를 운반 및 설치할 때는 어린이가 시스템과 설치 장소에 접근하지 않도록 주의하십시오.

설치 중에는 모듈의 수광 표면을 불투명한 물질로 완전히 덮는 것이 좋으며, 발전으로 인해 발생하는 문제를 방지하기 위해 양극 및 음극 단자를 분리하는 것이 좋습니다.

PV 시스템을 설치하거나 문제를 해결할 때, 금속 링, 스트랩, 귀걸이, 코 링, 립 링, 기타 금속 장치를 착용하지 말고 전기 설치용으로 허용된 절연 공구만 사용하십시오.

케이블, 커넥터, 컨트롤러, 충전 조절기, 인버터, 배터리, 기타 충전 배터리 등 시스템에 사용되는 기타 모든 구성 요소에 대한 안전 지침을 준수하십시오.

본 태양광 모듈 시스템의 설치에 적용할 수 있는 관련 장비, 커넥터, 배선, 브래킷만 사용하십시오. 한 PV 시스템에 동일한 유형의 모듈만 사용하십시오. 모든 모듈의 접속함에는 바이패스 다이오드가 통합되어 있습니다.

직렬이나 병렬로 연결된 단일 모듈 또는 둘 이상의 모듈 조합에 대해서는 케이블의 단면적과 커넥터 용량이 최대 시스템 단락 전류에 적합하지 않을 경우 케이블과 커넥터가 고전류에서 과열될 수 있으므로 주의가 요구됩니다.

모듈의 과전류 보호 등급에 적합한 DC 퓨즈를 사용해야 합니다.

일반적인 실외 조건에서, 날씨와 주변 온도에 따라 모듈에서 발생하는 전류 및 전압은 데이터 시트에 명시된 전류 및 전압과 다릅니다. 명판에 명시된 데이터는 표준 테스트 조건(STC)에서 예상되는 값입니다.

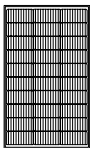
## 5. 설치 절차 및 주의사항

설치 전에 관련 기관으로부터 설치 및 검사에 대한 요건 및 사전 승인에 관한 정보를 얻으십시오.

**차량 루프에 제품을 설치하는 경우, 루프가 화재로부터 보호되는지 다음과 같은 사항을 확인하십시오.** 설치 현장에는 인화성 물질이 없어야 합니다. 장착하기 전에 태양광 패널의 양극 및 음극 단자를 완전히 분리해야 합니다. 전기 설치에는 승인된 절연 공구만 사용하십시오.

### 5.1 개봉 및 주의사항

태양광 패널의 포장을 조심스럽게 풀고 패키지의 모든 지침을 준수하십시오. 내용물은 다음과 같습니다.



태양광 패널



사용 설명서 및  
보증서 카드

### 참고:

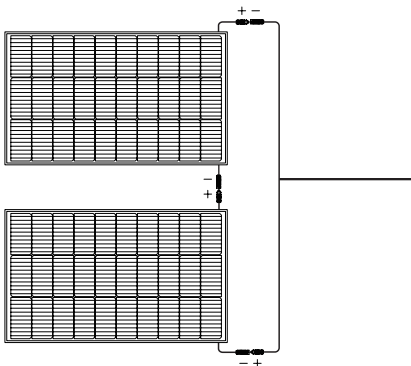
1. 불규칙한 응력은 배터리 셀의 미세 균열을 주고 궁극적으로 모듈의 신뢰성과 사용자 경험에 영향을 미칠 수 있으므로, 모듈 위를 밟거나 걷거나 서거나 뛰지 마십시오.
2. 날카로운 도구를 사용하여 모듈 패널의 후면을 긁거나, 절단하거나, 자르거나 긁지 마십시오.
3. 모든 전기 접점 및 커넥터를 깨끗하고 건조한 상태로 유지하십시오.

## 5.2 설치 전 요구사항

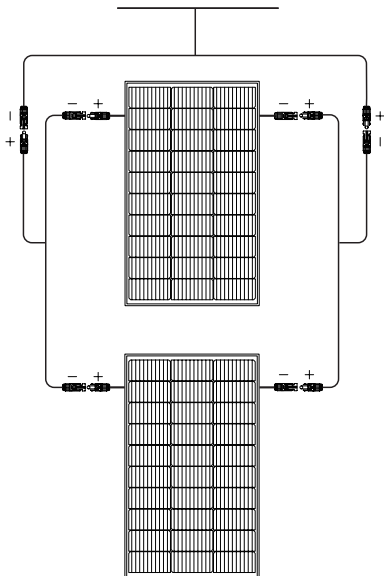
모듈에 대한 일반적인 시스템 기술 요건을 준수하고 다른 시스템 구성 요소로 인해 모듈에 기계적 또는 전기적 손상이 발생하지 않도록 하십시오.

모듈을 직렬로 연결하여 전압을 높이거나 병렬로 연결하여 전류를 증가시킬 수 있습니다. 직렬 연결에서는 한 모듈의 양극 단자가 두 번째 모듈의 음극 단자로 전송됩니다. 병렬 연결에서는 모듈과 모듈의 양극 단자가 연결되고, 음극 단자도 음극 단자와 연결됩니다.

직렬 연결을 보여주는 다이어그램입니다.



병렬 연결을 보여주는 다이어그램입니다.



**1+1<2 효과로 인한 불일치가 발생하지 않도록 동일한 전기 출력을 가진 모듈을 직렬로 연결하는 것이 좋습니다.**

모듈 하단의 배수구를 막지 마십시오(아래 그림 참조).

조금의 그늘도 전력 출력을 감소시키므로 그늘을 피하십시오. 1년 중 낮이 가장 짧은 날에도 햇빛이 모듈을 비추도록 하십시오.

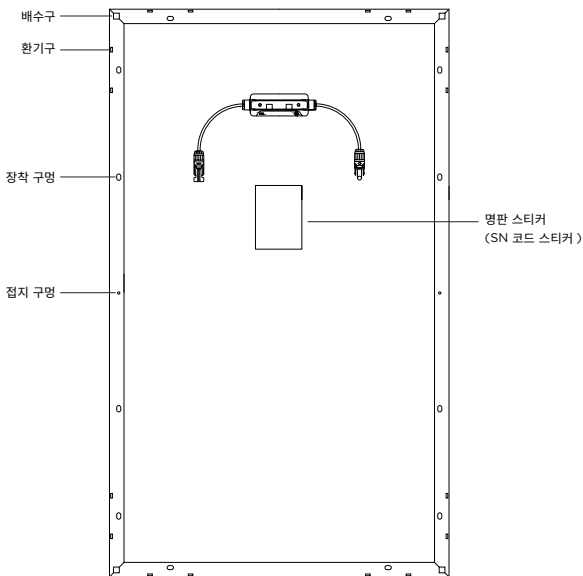
전기를 가장 많이 발생시키려면, 북반구의 경우 모듈을 정남향으로 향하게 하고 남반구의 경우 모듈을 정북향으로 향하게 하십시오. 설치에 가장 적합한 고도각에 대한 자세한 사항은 해당 지역 표준 PV 설치 안내서, 유명 태양광 설치 관리자 또는 시스템 통합 업체의 설치 각도 요건을 참조하십시오.

### 5.3 설치 주의사항

아래의 모든 설치 방법은 참고용이며, 관련 설치 액세서리는 별도로 구매해야 합니다. 모든 시스템 설치자는 작업하는 동안 설치가 모든 사양을 준수하는지 확인해야 합니다.

모듈은 반드시 태양광 모듈의 프레임에 예약된 장착 구멍에 장착해야 합니다[12개 구멍, L\*W: 11×7mm(0.4×0.3인치)]. 가장 일반적인 설치 방법은 프레임 중앙에 가까운 4개의 대칭 구멍을 사용하여 모듈을 설치하는 것입니다.

아래와 같이 확인할 수 있습니다.



#### 참고:

1. 각 긴 모서리의 중앙에 있는 구멍은 접지용으로 사용됩니다.
2. 모듈은 바람과 눈의 하중을 포함하여 예상되는 모든 하중을 견딜 수 있도록 단단히 장착해야 합니다.
3. 모듈 간 간격은 12.7mm(0.5인치) 이상이어야 합니다.

각 모듈에는 다음 정보를 제공하는 두 개의 라벨이 있습니다.

명판 스티커: 제품 유형 및 표준 테스트 조건에서 측정된 전기 매개변수, 중량, 치수 등에 대한 정보를 제공합니다.

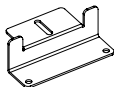
SN 코드 스티커: 각 모듈에는 고유한 일련 번호가 있습니다.

참고: 태양광 패널에서 라벨을 제거하지 마십시오. 라벨을 제거하면 EcoFlow의 제품 보증 정책이 무효화됩니다.

## 5.4 볼트 설치

설치하려면 다음 품목이 포함된 특수 볼트 키트(별도 구매)를 사용해야 합니다.

Z형 브래킷 4개, M6 육각 볼트(너트 포함) 4개, M6 대형 와셔 4개, M6 플랫 와셔 4개, M6 스프링 와셔 4개, 육각 자체 드릴링 나사 8개  
[5.5\*38mm(0.2\*1.5인치)]



Z형 브래킷 x4



육각 볼트(너트 포함)  
x4



M6 대형 와셔  
x4



M6 플랫 와셔  
x4



M6 스프링 와셔  
x4

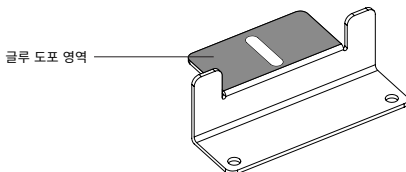


육각 자체 드릴링 나사  
x8

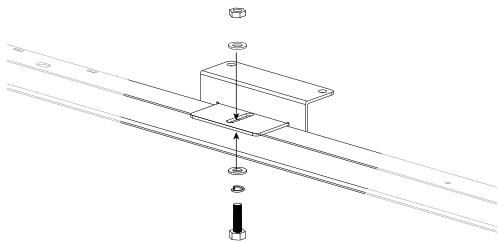
- a. M6 스테인리스강 볼트, 너트, 와서는 모듈 프레임 뒷면에 있는 장착 구멍을 사용해야 합니다.
6. 스테인리스강으로 제작된 적절한 내식성 재료를 사용하여 고정하십시오.
- b. 모듈 프레임을 드릴로 천공하거나 개조하지 마십시오. 이 경우 보증이 무효화됩니다.
- r. 각 모듈은 반대 방향으로 4개 이상의 지점에 단단히 장착해야 합니다.
- d. 차량의 루프 또는 차체에 설치할 때는 공기 흐름과 열 방사가 용이하도록 태양광 패널과 루프 또는 차체 사이에 틈을 남겨 두어야 합니다.

단계는 다음과 같습니다.

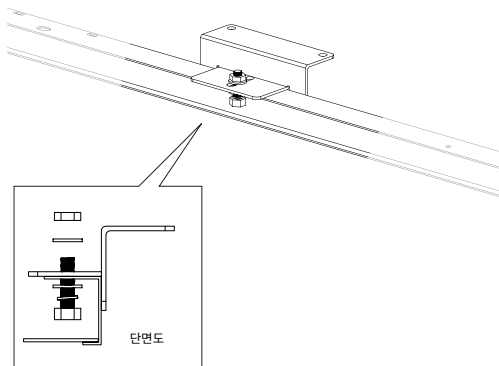
1. 수동 글루건을 사용하여 건설용 접착제를 Z형 브래킷의 해당 부위(프레임과 접촉하는 표면)에 도포합니다.



2. z형 브래킷을 해당 위치에 놓고 M6 육각 볼트, M6 플랫 와셔, M6 스프링 와셔를 설치합니다.

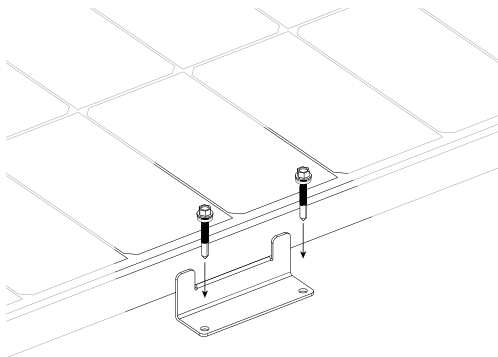


3. 그런 다음 대형 와셔를 놓고 너트를 조입니다.

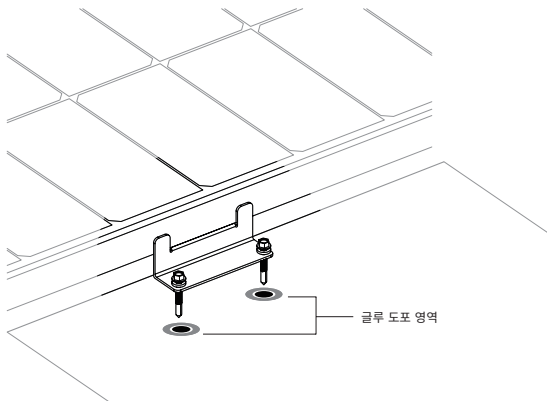




4. z형 브래킷이 있는 태양광 패널을 차량 루프 장착 위치에 놓고, z자형 브래킷 받침대에 있는 구멍에 맞게 루프에 구멍을 뚫습니다.



5. 구멍을 청소하고 접착제를 도포합니다(건설용 접착제를 구멍 주위에 도포하십시오).



7. z형 브래킷의 받침대를 지붕의 구멍과 일치시킨 후 육각 자체 드릴링 나사[5.5\*38mm(0.2\*1.5인치)]를 설치하고 24시간 이상 방치한 후, 건설용 접착제가 굳을 때까지 기다립니다[주변 온도  $\leq 30^{\circ}\text{C}$ (86°F), 습도  $\leq 70\%$  RH].
8. 건설용 접착제가 굳으면 받침대와 루프에 넘친 접착제를 제거하십시오. 태양광 패널을 더 설치하고 필요에 따라 직렬 또는 병렬로 연결합니다.

## 6. 시운전 및 문제 해결

**EcoFlow는 자격을 갖춘 PV 기술자에 의해 태양광 모듈 시스템의 모든 시운전 및 유지관리를 수행하도록 권장합니다!**

시스템에 연결하기 전에 연결된 모듈을 테스트하십시오. 시스템을 가동하기 전에 항상 시스템의 모든 전기 및 전자 구성 요소를 테스트하고 항상 각 부품 및 장비와 함께 제공된 지침을 따르십시오.

모듈의 전기적 성능을 테스트하기 위해서는, 모듈을 일반적으로 햇빛에 노출시키고 부하에 연결하지 않아야 합니다. 이러한 측정을 수행할 때 개인 안전에 주의하십시오.

비정상적으로 발전하는 경우, 다음 단계에 따라 문제를 해결하십시오.

- 모든 배선을 점검하여 개회로 또는 연결 불량 여부를 확인합니다.
- 각 모듈의 개회로 전압을 점검합니다.
- 모듈이 불투명 물질로 완전히 덮여 있는 상태에서 개회로 전압을 점검한 다음, 불투명한 물질을 제거하고 단자에서 개회로 전압을 측정하여 비교합니다.

700W/m<sup>2</sup>(65.0W/ft<sup>2</sup>) 이상의 일사량에서 단자 간 전압이 공칭 값과 5% 이상 차이가 나는 경우, 전기 연결이 불량한 것입니다.

## 7. 제품 사양

### 100W 단일 유리 태양광 패널

정격 전력: 100W(+/-5W)

개회로 전압: 20.3V

단락 전류: 6.3A

최대 작동 전압: 17.1V

최대 작동 전류: 5.9A

정격 전력의 온도 계수: -0.39%/°C

개회로 전압의 온도 계수: -0.33%/°C

단락 전류의 온도 계수: 0.06%/°C

최대 시스템 전압: 600VDC(UL)

최대 퓨즈 전류: 15A

### 일반

태양광 패널 무게: 약 6.2kg(13.7파운드)

크기: 98\*58.6\*3cm(38.6\*23.1\*1.2인치)

### 테스트 및 인증



\*표준 테스트 조건: 1,000W/m<sup>2</sup>(92.9W/ft<sup>2</sup>), AM1.5, 25°C

## 온도 계수 사양

전력 온도 계수	- $(0.39+/-0.02)\%/k$
전압 온도 계수	- $(0.33+/-0.03)\%/k$
전류 온도 계수	+ $(0.06+/-0.015)\%/k$

## 8. FAQ

### 100W 태양광 패널이 실제 사용 시 명시된 만큼의 전력을 공급하지 못하는 이유는 무엇입니까?

태양광 패널 대부분이 최대 공칭 전력을 생산하지 못합니다. 그러한 이유 및 공칭 전력 수치에 더 가까운 용량의 전력을 얻기 위한 제안은 다음과 같습니다.

1. 빛의 강도. 패널에 내리쬐는 빛의 양에 따라, 전력 출력량이 늘 일정한 것은 아닙니다. 아침이나 늦은 오후가 아니라 맑은 날 한낮에 제품을 사용하여 테스트를 통해 도출된 공칭 전력 수치와 가까운 전력을 얻을 수 있습니다. 날씨 역시 패널에 내리쬐는 태양 빛의 양에 영향을 줍니다. 예를 들어 흐리거나 구름이 끼거나 비가 올 때에는 공칭 전력 수치만큼의 전력을 얻지 못할 수 있습니다.
2. 표면 온도. 태양광 패널 표면의 온도 역시 생산되는 전력량에 영향을 줍니다. 패널 표면 온도가 낮을수록 생산되는 전력은 증가합니다. 예를 들어 태양광 패널은 여름보다 겨울에 더 많은 전력을 생산하며 이는 정상적인 현상입니다. 여름에는 태양광 패널의 온도가 거의 60°C(140°F)까지 올라갑니다. 이로 인해 패널에 내리쬐는 빛이 더 많더라도 공칭 전력은 10-15% 감소합니다.
3. 햇빛의 각도. 좋은 일광 조건하에서, 태양광 패널 표면을 빛이 수직으로 닿는 곳에 두면 더 나은 성능을 얻을 수 있습니다. 그러나 RV 지붕에 설치된 대부분의 태양광 패널은 타일형 구성으로만 설치할 수 있으며, 이로 인해 패널이 최적의 각도로 설치되지 않아 약 5-15%의 전력 출력이 손실됩니다.
4. 패널 그늘. 사용 중에는 태양광 패널의 표면이 가려지지 않게 해야 합니다. 그럼이나 이물질, 유리로 그늘이 생길 경우 전력 출력이 크게 줄어들 수 있습니다.

패널 오작동으로 생기는 성능 문제: 위 문제를 해결하고 나서도 패널이 전력을 생산하지 못하거나 예상되는 공칭 전력 수치보다 출력이 현저히 낮다면 패널 자체의 문제일 수 있습니다. 고객 지원 부서에 연락하여 도움을 받으시기 바랍니다.

### 100W 태양광 패널이 평범한 환경에서 생산하는 전력은 어느 정도입니까?

이는 우선 날씨의 영향을 크게 받습니다. 일반적으로 하늘에 구름이 없는 맑은 날, 90° 각도로 패널을 비추는 햇빛은 테스트 조건에서의 패널 온도가 50°C(32°F)인 100W 패널에서 70-80W의 전력을 생산합니다(현재 일광 조건은 800-900W/m<sup>2</sup>(74.3-83.6W/ft<sup>2</sup>)입니다. 패널 온도가 25°C인 AM1.5 조건 테스트 환경에서 공칭 정격 전력은 1,000W/m<sup>2</sup>(92.9W/ft<sup>2</sup>)를 기반으로 합니다. 공칭 값에 근접한 전력 출력 수치는 일반적으로 겨울 중 한낮에 관찰되었습니다).

### 100W 패널의 사용 온도 범위와 주의 사항은 무엇입니까?

태양광 패널은 -20~85°C(-4~185°F)의 온도 범위 내에서 작동합니다. 사용 전 제품 설명서를 잘 읽어보시기 바랍니다. 태양광 패널은 단결정 실리콘 웨이퍼로 만들어집니다. 설치 및 사용 중에는 패널을 바닥에 내리치거나, 밟거나, 다른 물체로 치거나 표면에 앉지 마십시오. 단결정 실리콘 웨이퍼가 갈라져 사용에 영향을 미칠 수 있습니다. 사람에 의한 손상에 대해서는 무상 보증이 이루어지지 않습니다.

### 100W 태양광 패널을 직렬로 연결할 수 있습니까?

예, 하지만 추천하는 방법은 아닙니다. 사용 설명서의 설명을 주의 깊게 읽고, 전력 방출 및 1+<2 효과를 발생시키지 않고 서로 다른 전류의 태양광 패널이 직렬로 사용되지 않도록 에너지 저장 컨트롤러 요건과 태양광 패널 출력 제한에 특히 유의하십시오.

**100W 태양광 패널을 병렬로 연결할 수 있습니까?**

네. 패널을 병렬로 연결하면 전류를 두 배로 증가시켜 전력을 증가시킵니다. 병렬 연결에서 허용되는 최대 100W 패널 수는 레저용 차량의 컨트롤러 및 에너지 저장 장치에 따라 다릅니다. 차량에 사용되는 에너지 저장 시스템이 높은 입력 전류를 지원는지 확인하고 출력 전류에 적합한 직경의 와이어를 사용하여 패널을 병렬로 안전하게 연결해야 합니다.

**100W 태양광 패널을 정기적으로 청소해야 하나요?**

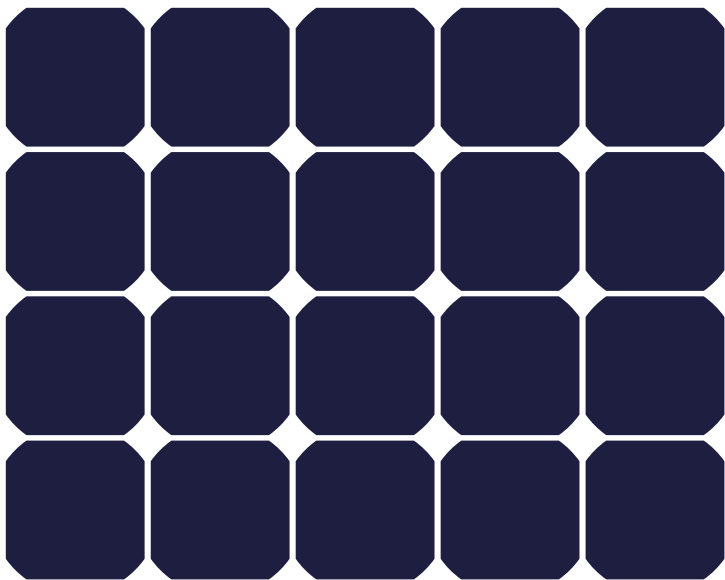
네. 야외에서 장시간 사용하다 보면 태양광 패널 표면에 먼지와 이물질이 쌓여 빛을 차단해 전력 출력이 떨어질 수 있습니다. 정기적으로 청소하면 태양광 패널 표면을 깨끗하고 장애물이 없도록 유지하여 더 높은 출력을 발생시킬 수 있습니다.

## 9. 유지관리

**모듈의 성능을 최적화하기 위해 다음과 같이 유지관리하는 것이 좋습니다.**

1. 필요한 경우 모듈의 유리 표면을 물과 부드러운 스폰지 또는 천으로 청소합니다. 강한 오염은 순한 세제로 제거할 수 있습니다. 날카롭거나 딱딱한 세척 도구를 사용하지 마십시오. 햇볕이 약한 아침 저녁에만 청소하는 것이 좋습니다[일사량  $\leq 200\text{W}/\text{m}^2$ ( $18.6\text{W}/\text{ft}^2$ )].
2. 6개월마다 전기 및 기계적 연결부를 검사하여 연결부가 깨끗하고 견고하며 손상되지 않았는지 확인하십시오.
3. 나뭇잎 및 다른 물체가 태양광 패널 표면을 덮지 않도록 하십시오. 태양광 패널에 부분적으로 지는 그늘은 발전 효율에 영향을 줄 뿐만 아니라 일부 지역에서는 과도한 전류를 발생시키고 구성 요소를 소진시킬 수 있습니다.

문제가 발생할 경우 항상 자격을 갖춘 전문가가 브래킷, 충전 조절기, 인버터, 배터리 등 시스템에 사용되는 모든 구성 요소에 대한 유지관리 지침을 준수하여 검사하도록 하십시오.



# ≡COFLOW

## 100 W 單玻璃太陽能板

聯絡我們：

[ecoflow.com](http://ecoflow.com)

[support@ecoflow.com](mailto:support@ecoflow.com)



<b>1 目的</b>	<b>1</b>
<b>2 免責聲明</b>	<b>1</b>
<b>3 一般安全資訊</b>	<b>1</b>
<b>4 安全注意事項</b>	<b>2</b>
<b>5 安裝步驟和注意事項</b>	
5.1 拆除包裝和注意事項	2
5.2 預先安裝要求	3
5.3 安裝注意事項	4
5.4 螺栓安裝	6
<b>6 調試和故障排除</b>	<b>9</b>
<b>7 產品規格</b>	<b>9</b>
<b>8 常見問題</b>	<b>10</b>
<b>9 保養</b>	<b>11</b>

## 1. 目的

本手冊包含有關太陽能組件及其安裝的資料。購買及安裝太陽能板前，請確保細閱本手冊並完全了解內容，以確保使用正確。任何不當使用均可能導致用戶或他人受嚴重傷害、損壞產品或損失財產。

如有任何問題，請聯絡我們以取得進一步說明。

安裝模組時，安裝者應遵從本手冊列出的所有安全注意事項，以及所有當地規例。安裝太陽能光伏系統前，安裝者應熟悉該等系統的機械和電力要求。

閱讀本手冊後，請妥善存放本手冊，以便日後參閱有關服務和保養資訊。

本文件適用於以下太陽能模組系列：EF-SG-M100

## 2. 免責聲明

由於本手冊的使用，以及光伏 (PV) 產品的安裝、操作、使用和保養的狀況或方法可能超出 EcoFlow 的控制範圍，EcoFlow 明確表示對該等非標準安裝和操作，以及其引致的任何損失、損壞和保養要求概不承擔任何責任。

EcoFlow 對於因安裝或使用時採用並非由本公司提供的安裝方法或配件等而引致的任何侵犯第三方專利或其他權利的情況，概不承擔任何責任。

本手冊中的產品資料和安裝例子乃根據 EcoFlow 和我們合作夥伴相關的知識和經驗提供，且被認為可靠；可是，該等資料中的限制和建議，包括產品規格，並不構成任何明示或暗示保證。

使用產品前，請細閱用戶手冊和本產品免責聲明。使用本產品，即表示您已了解、知悉並接受本文件的所有條款及內容，且用戶應對其行為及所引致的後果承擔責任。EcoFlow 對於因用戶未有按照用戶手冊使用產品而造成的任何損失，概不承擔任何責任。

在遵守法律和法規的前提下，本公司對本文件及與本產品相關的所有文件擁有最終解釋權。在必要的情況下，當中有任何內容更新、修訂或終止，將不另行通知，用戶必須瀏覽 EcoFlow 官方網站以獲取有關產品的最新資訊。

## 3. 一般安全資訊

太陽能光伏系統只可由具相關專業技能和知識的合資格人員安裝。所有太陽能模組均永久連接至接線盒和 2.5 平方毫米 (0.004 平方吋) 電線。安裝者須承擔安裝時可能引致的所有受傷風險，包括但不限於觸電風險。

太陽直接照射時，單一模組可產生超過 24V 直流電壓。暴露於 24V 或以上直流電壓會有潛在危險。解除連接至曝露於陽光下的 PV 組件的電線時，可能會引致電弧。電弧可能會引致燒傷或火災。請加倍小心操作，否則可能會引致更多問題。因此，保護自己免受觸電非常重要！

太陽能模組將太陽能轉化成直流電，且專為室外使用而設。模組可安裝在固定的室外物件頂部，而系統設計師和安裝者應對支撐結構設計的合規承擔責任。

切勿嘗試拆解模組，或移除任何附有的銘牌或組件。

切勿在模組的受光表面塗上油漆、黏合劑或阻礙電池受光的物質。

切勿將模組的表面曝露於人為集中放大的陽光下。

安裝系統時，請留意所有當地、地區和國家法律，以及法定條例。在車輛或船隻上安裝模組時，請留意相關當地和國家法律和規例。



## 4. 安全注意事項

當光線照射在太陽能模組的受光表面時，太陽能模組會產生超過 24V 直流電壓。串聯模組時，總電壓相等於各模組電壓的總和。並聯模組時，總電流相等於各模組電流的總和。

運送和安裝任何機械和電力組件時，須確保兒童遠離系統和安裝地點。

安裝時，建議使用不透明物料完全遮蓋模組的受光表面，並將正負端口解除連接，以防止發電引致問題。

安裝或維修 PV 系統時，切勿佩戴金屬介指、肩帶、耳環、鼻環、唇環或其他金屬裝置，且只使用經批准用於電氣安裝的絕緣工具。

請遵守系統中所有其他組件的安全指引，當中包括連接線、連接器、控制器、充電調節器、逆變器、電池和其他可充電電池等。

只使用適合安裝本太陽能模組系統的相關設備、連接器、電線和支架。在特定 PV 系統中只使用相同類型的模組。所有模組的接線盒已安裝旁路二極管。

無論是單一模組，還是串聯或並聯多個模組，連接線的橫截面積和連接器的容量必須符合最高系統短路電流，否則連接線和連接器會在高電流下過熱。

直流電保險絲必須符合模組的過流保護值。

在正常室外條件下，模組產生的電流和電壓會有別於資料表所列的數值，視乎天氣和環境溫度而定。銘牌上的資料是標準測試條件 (STC) 下的預期值。

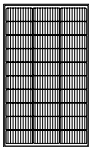
## 5. 安裝步驟和注意事項

安裝前，請先就場地、安裝和檢查事宜向相關當局獲取要求資訊和預先批准。

**在車頂安裝產品時，須確保車頂已採取防火措施：**安裝地點不應存放易燃物料。安裝前，太陽能板的正負端口應完全解除連接。只使用經批准用於電氣安裝的絕緣工具。

### 5.1 拆除包裝和注意事項

小心拆除太陽能板的包裝，並確保遵從包裝上的所有指引。產品包含以下物品：



太陽能板



用戶手冊和保養卡

**附註：**

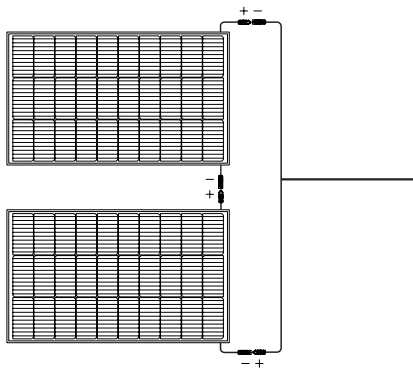
1. 切勿在模組上踏步、步行、站立或跳躍，不均勻的壓力可能會影響電池上的微裂紋，並影響模組的可靠性和用戶體驗。
2. 切勿使用尖銳的工具在模組上劃線、切割、切片或刮削，特別太陽能板背面；
3. 須保持所有電力接觸點和連接器清潔和乾爽。

## 5.2 預先安裝要求

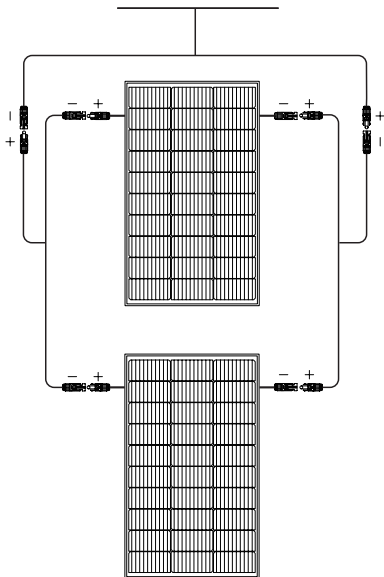
確保模組符合一般系統技術要求，且其他系統組件不會對模組造成機械或電力損壞。

模組可以串聯方式連接以提升電壓，或以並聯方式連接以提升電流。如串聯模組，模組的正端口會傳送至第二模組的負端口。如並聯模組，兩個模組的正端口會互相連接，其負端口亦會互相連接。

圖中顯示串聯連接：



圖中顯示並聯連接：



建議以串聯方式將電力輸出相同的模組連接，以防止不匹配而造成 1+1<2 效果；

切勿阻擋模組底部的排水口（參閱下圖）。

避免陰影，即使細小的陰影也會令功率輸出降低；即使日照時間最短，也確保陽光照射在模組上；

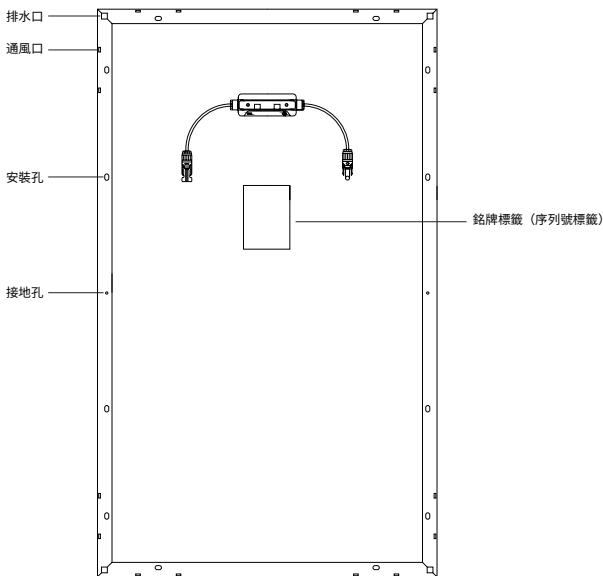
為產生最多電力，位於北半球的模組應面向正南，而位於南半球的模組應面向正北。有關最佳的安裝仰角詳情，請參閱您當地的標準 PV 安裝指南或知名太陽能安裝或系統整合供應商的安裝角度要求。

## 5.3 安裝注意事項

以下所有安裝方法只供參考，涉及相關安裝配件需單獨購買。任何系統安裝者應確保安裝符合所有規格。

必須使用太陽能模組框架上的安裝孔進行安裝 [12 孔；長 \* 闊：11 \* 7 毫米 (0.4 \* 0.3 吋)]。最常見的安裝方法是使用框架中心附近的四個對稱孔進行安裝。

如下：



#### 附註：

1. 各長邊中央的孔用作接地。
2. 模組應小心安裝以能夠承受所有預期負荷，包括風雪帶來的負荷。
3. 模組之間的空隙應為 12.7 毫米 (0.5 吋) 或以上。

#### 每個模組附有兩個標籤，提供以下資料：

銘牌標籤：提供產品類型，以及在標準測試條件下量度的電力參數、重量和尺寸等資料。

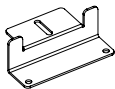
序列號標籤：每個模組均有獨特的序列號。

附註：切勿去除太陽能板上的任何標籤，否則會令 EcoFlow 的產品保養政策失效。

## 5.4 螺栓安裝

安裝需使用專門螺栓套件（單獨購買），包含以下物品：

四個 Z 形支架、四顆 M6 六角螺栓（附螺母）、四顆 M6 大墊圈、四顆 M6 平墊圈、四顆 M6 彈簧墊圈，以及八顆六角自鑽螺釘 [5.5\*38 毫米 (0.2\*1.5 吋) ]



Z 形支架 x4



六角螺栓（附螺母）  
x4



M6 大墊圈  
x4



M6 平墊圈  
x4



M6 彈簧墊圈  
x4

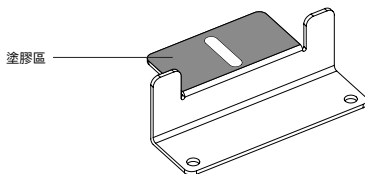


六角自鑽螺釘  
x8

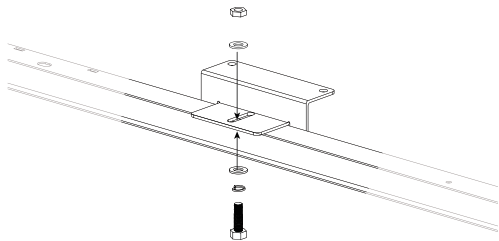
- 您必須使用 M6 不銹鋼螺栓、螺母和墊圈，以及橫組框架後方的安裝孔。
- 使用合適的耐腐蝕性物料進行緊固，該物料應由不銹鋼製成。
- 切勿在橫組框架上鑽孔或進行修改，否則會令保養失效。
- 各個橫組應穩固安裝在四個或以上對角點之上。
- 在車頂或車身安裝太陽能板時，須在太陽能板和車頂 / 車身之間預留空隙，以確保空氣流通和散熱。

步驟如下：

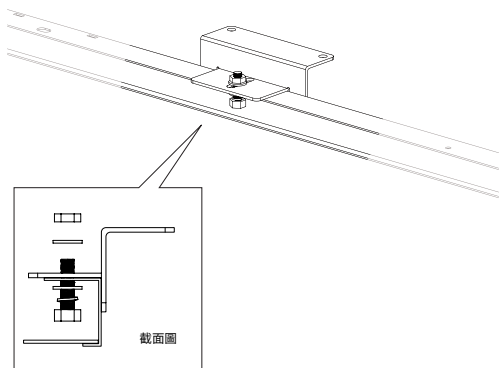
- 使用手動膠槍將結構黏合劑塗在 Z 形支架的相應位置（與框架接觸的表面）上。



2. 將 Z 形支架放在相應位置，並安裝 M6 六角螺栓、M6 平墊圈和 M6 彈簧墊圈。



3. 然後放置大墊圈，並扭緊螺母。





## 6. 調試和故障排除

**EcoFlow 建議太陽能板系統的所有調試和保養均由合資格 PV 技工進行!**

將模組連接至系統前測試已連接的模組；必須在調試系統前先測試系統的所有電力和電子組件，並須遵守設備各部分提供的指引。如要測試模組的電力效能，一般會將模組曝露於陽光下，且不可將其連接至任何負載。進行這些測試時，須注意您的人身安全。

如功率產生不正常，請按照以下步驟解決問題：

- 檢查所有電線以確保沒有開路或連接不良。
- 檢查各模組的開路電壓。
- 將不透明物料完全遮蓋模組以檢查開路電壓；然後移除不透明物料並量度和比較端口的開路電壓。

若端口的電壓與標稱數值相差超過 5%（輻照度  $\geq 700 \text{ W/m}^2$  ( $65.0 \text{ W/ft}^2$ )），即表示電力連接不良。

## 7. 產品規格

### 100 W 單玻璃太陽能板

額定功率：100 W (+/-5 W)

開路電壓：20.3 V

短路電流：6.3 A

最大操作電壓：17.1 V

最大操作電流：5.9 A

額定功率溫度係數：-0.39%/°C

開路電壓溫度係數：-0.33%/°C

短路電流溫度係數：0.06%/°C

最大系統電壓：600 VDC (UL)

最大保險絲電流：15 A

#### 一般

太陽能板重量：約 6.2 公斤 (13.7 磅)

尺寸：98\*58.6\*3 厘米 (38.6\*23.1\*1.2 吋)

#### 測試和認證



\* 標準測試條件：1,000 W/m<sup>2</sup> (92.9 W/ft<sup>2</sup>)、AM1.5、25°C



## 溫度系數規格

功率溫度系數	$-(0.39+/-0.02)\%/k$
電壓溫度系數	$-(0.33+/-0.03)\%/k$
電流溫度系數	$+(0.06+/-0.015)\%/k$

## 8. 常見問題

### 為什麼 100 W 太陽能板在實際使用時無法充分產生所示的功率？

在大部分情況下，太陽能板通常不會完全產生其標稱功率。部分原因，以及產生更接近標稱功率的建議如下。

1. 光線強度。照射在太陽能板上的光線量會導致功率輸出波動。相比早上或下午稍晚時間，在天清氣朗的正午陽光下使用產品所產生的標稱輸出功率會較接近測試條件下產生的功率。天氣情況亦會影響照射在太陽能板上的陽光量。例如，在朦朧、多雲或多雨的天氣下，您較難產生標稱功率。
2. 表面溫度。太陽能板的表面溫度亦會影響產生的功率。太陽能板的表面溫度較低，產生的功率較高。例如，相比夏季，在冬季使用太陽能板能產生較高功率，這是完全正常現象。在夏季，太陽能板一般可達到 60°C (140°F)。即使太陽能板的光線量較高，但亦會令標稱功率下降 10-15%。
3. 太陽光線的角度。在良好的光線條件下，光線保持垂直照射太陽能板表面，可達致更佳光照效果。可是，大部分太陽能板只能平鋪安裝在休閒車頂上，無法以最佳角度安裝，令功率輸出損失約 5%-15%。
4. 太陽能板遮擋。使用時，太陽能板的表面不應被遮擋。被陰影、異物和玻璃遮擋可大大降低輸出功率。

太陽能板故障引致的效能問題：若上述問題已解決，但太陽能板仍然無法產生功率，或輸出功率遠低於預期標稱功率，便可能是太陽能板發生問題。請聯絡客戶服務部尋求協助。

### 100 W 太陽能板在正常情況下可產生多少功率？

這視乎天氣情況。一般來說，在天晴無雲的日間，陽光以 90° 照射 100 W 太陽能板可產生 70 W-80 W 功率（在測試環境下，目前光線條件一般為 800-900 W/m<sup>2</sup> (74.3-83.6 W/ft<sup>2</sup>)，太陽能板溫度為 50°C (32°F)。額定功率乃根據 1,000 W/m<sup>2</sup> (92.9 W/ft<sup>2</sup>) 在 AM1.5 的條件，且太陽能板溫度為 25°C 的測試條件下所得出。測試觀察所得，在冬季正午陽光下產生的輸出功率較接近標稱數值）。

### 100 W 太陽能板的使用溫度範圍和使用注意事項是什麼？

太陽能板的運作溫度為 -20°C 至 85°C (-4°F 至 185°F)。使用前，請仔細閱讀產品手冊。太陽能板由單晶矽片製成。安裝及使用時，請勿讓太陽能板撞擊地面或外物，亦不可踏在或坐在太陽能板上，否則可能會令單晶矽片破裂並影響使用。人為損壞並不包括在免費保養範圍內。

### 我可以串聯 100 W 太陽能板嗎？

可以，但並不建議。請仔細閱讀用戶手冊的指引，須特別注意電力儲存控制器和太陽能板輸出的要求和限制，避免串聯電流不同的太陽能板而無法釋放其功率，造成 1+1<2 現象。

### 我可以並聯 100 W 太陽能板嗎？

可以。並聯太陽能板可透過加倍電流來提升功率。並聯 100 W 太陽能板的最高數量視乎您休閒車的控制器和電力儲存設備而定。請確保車輛的電力儲存系統支援較高的輸入電流，且您應使用直徑符合輸出電流的電線，以安全並聯太陽能板。

### 我需要定期清潔 100 W 太陽能板嗎？

可以。在室外使用太陽能板一段時間後，太陽能板表面會積聚許多灰塵和異物，從而阻擋部分光線並降低功率輸出。定期清潔可保持太陽能板表面潔淨、不含障礙物並輸出較高功率。

## 9. 保養

我們建議進行以下保養，以確保模組發揮最佳效能：

1. 有需要時，使用清水和軟海綿或軟布清潔玻璃表面。頑固污垢可使用溫和的清潔劑去除。避免使用尖銳和 / 或堅硬的清潔工具。建議只在早上和黃昏陽光較陰暗的時間進行清潔 [ 輻照度  $\leq 200 \text{ W/m}^2$  (18.6  $\text{W/ft}^2$ ) ]。
2. 每六個月檢查電力和機械連接，以確保清潔、安全和沒有損壞。
3. 避免葉子和其他物品遮蓋太陽能板的表面。遮擋太陽能板部份位置不單會影響產生功率的效能，亦可能會令部分位置產生過多電流並燒毀組件。

如遇任何問題，須由合資格專家調查並遵從系統中所有組件的保養指引，當中包括支架、充電調節器、逆變器、電池等。



≡COFLOW