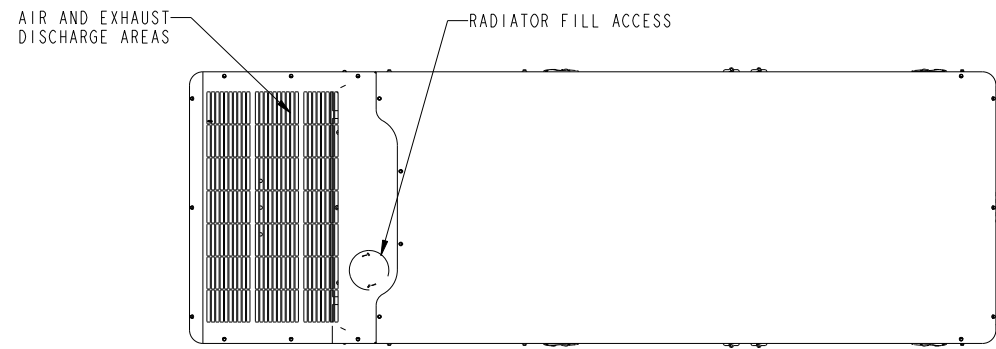
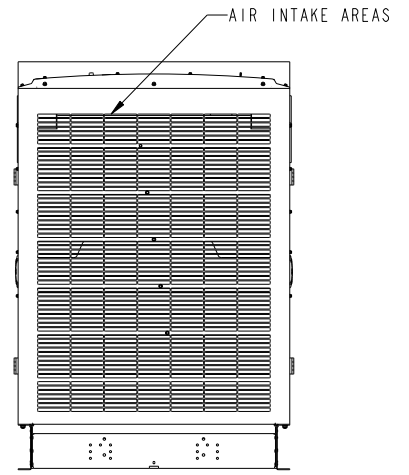


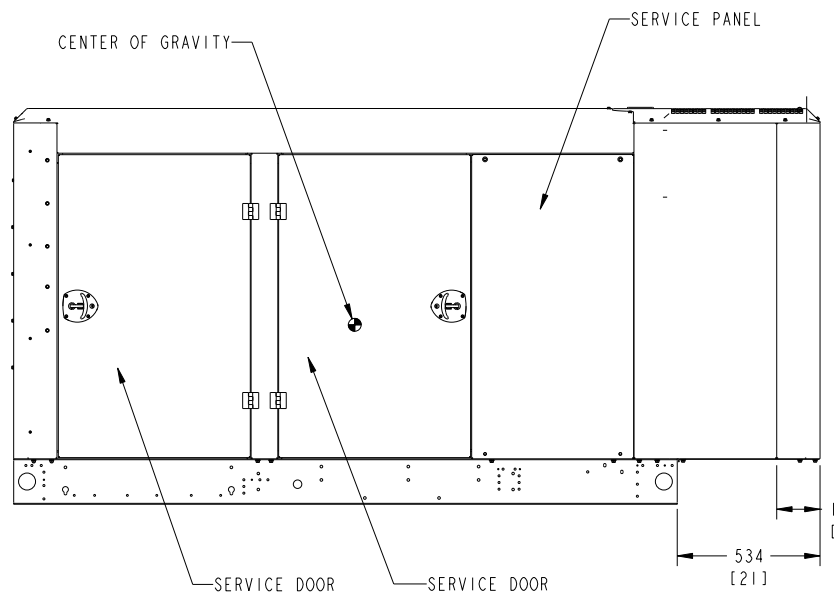
REL NO	LTR	NO	REVISION	DRN	CAD	APVD	DATE
ECO-152551	A	1	PRODUCTION RELEASE	CG	NK	M. WICKMANN	14MAY15

- NOTES:
- DIM [] IN INCHES
 - WHEN THE HOUSING INSTALLED ON AN OPEN GENERATOR SET, THE TOTAL WEIGHT WILL INCREASE BY 131.5 KG (290 LBS). THIS INCLUDES THE MUFFLER.
 - THE CENTER OF GRAVITY (CG) OF THE GENERATOR SET WHEN EQUIPPED WITH THIS HOUSING SHIFTS APPROXIMATELY 65mm (2.55 inch) TOWARDS THE AIR DISCHARGE END OF THE HOUSING AND 42MM (1.66 INCH) HIGHER FROM THE GROUND, COMPARED TO THE EQUIVALENT NON-HOUSED PRODUCT WITH THE F179 SKID. SEE HOUSING READY SKID BASE OUTLINE DRAWING FOR CG LOCATION OF NON HOUSED PRODUCT.

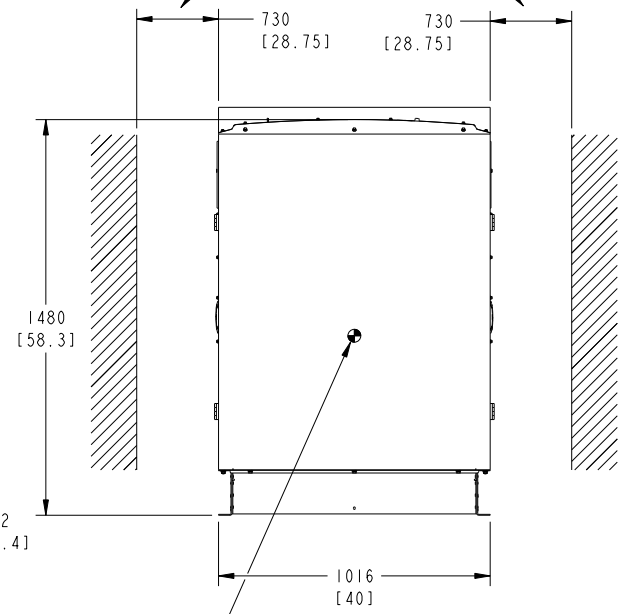


DISTANCE REQUIRED TO OPEN DOORS

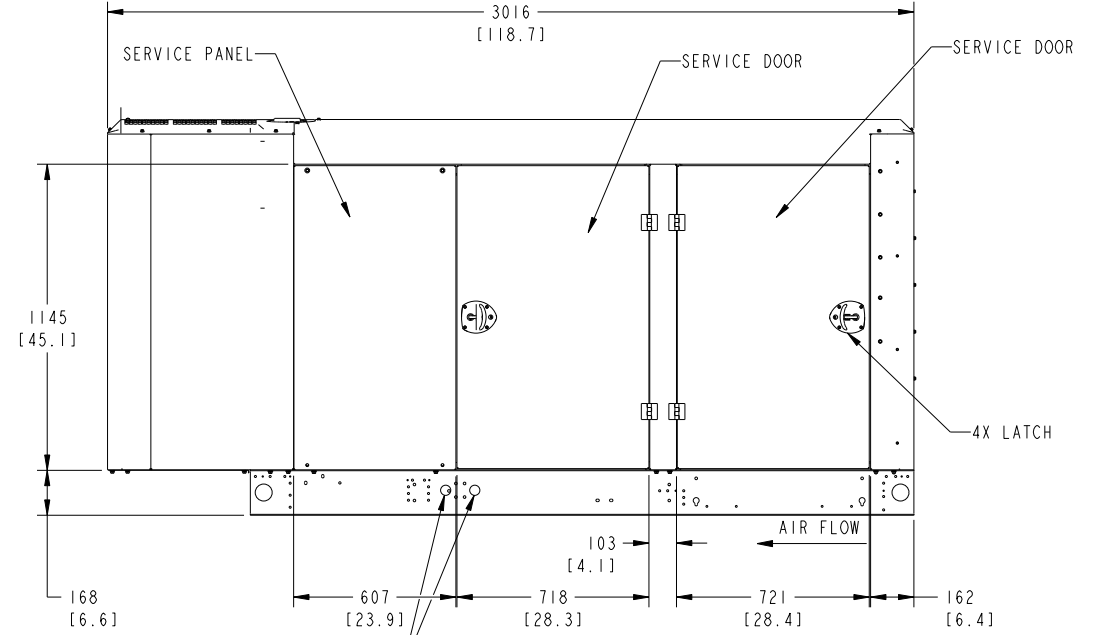
TOP VIEW



RIGHT SIDE VIEW



OUTLET VIEW

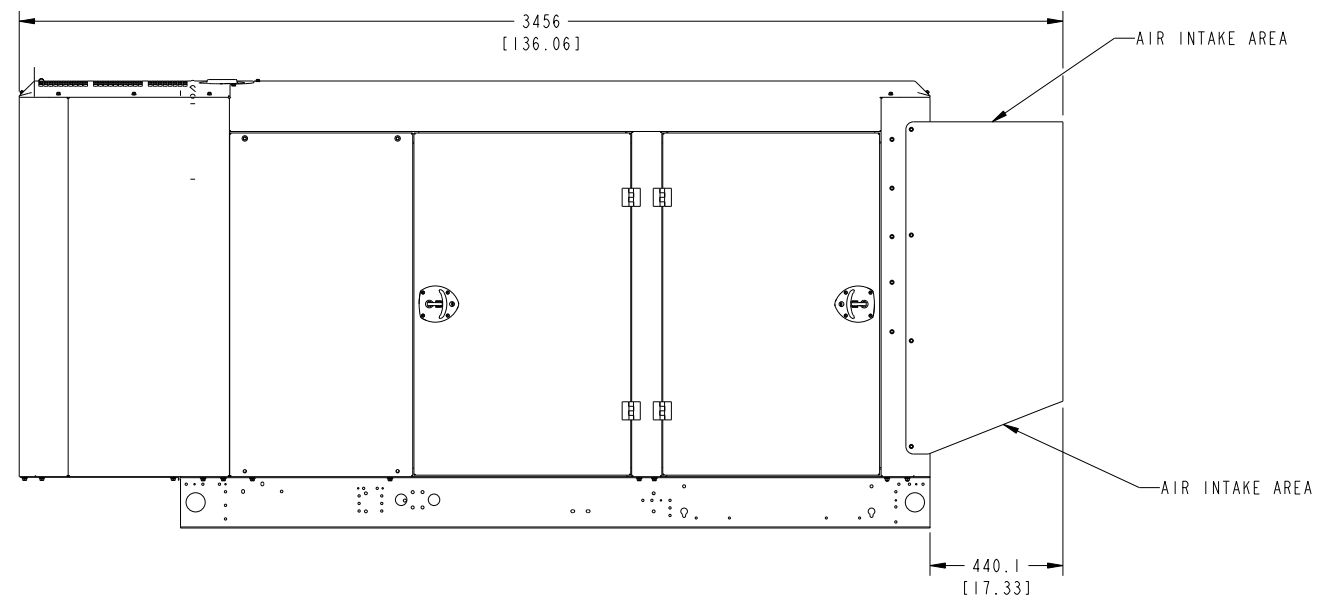
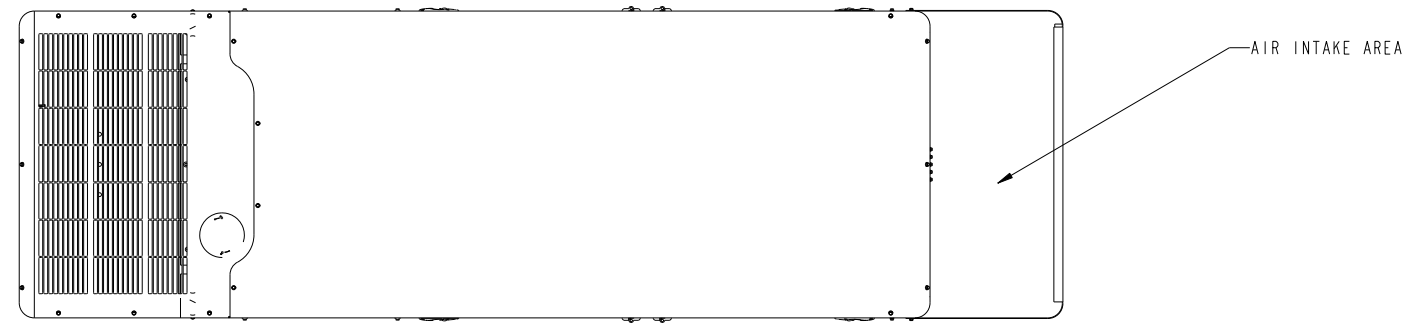


LEFT SIDE VIEW

F231-2 ENCLOSURE CONFIGURATION

UNLESS OTHERWISE SPECIFIED, ALL DIMENSIONS ARE IN MILLIMETERS		SIM 10 NONE	DRN C. GADE		CUMMINS POWER GENERATION	
DO NOT SCALE PRINT		CD N. KASIBHOTLA	OUTLINE, ENCLOSURE			
CH	X ± 1	0.00- 4.99 +0.15/-0.08	APVD M. WICKMANN	SITE CODE	PGF	SHEET 1 OF 2
	.X ± 0.8	5.00- 9.99 +0.20/-0.10	DATE 14MAY15			
	.XX ± 0.38	10.00-17.49 +0.25/-0.13				
		17.50-24.99 +0.30/-0.13				
ANG TOL: ± 1.0°		SCALE: ~3/32	FOR INTERPRETATION OF DIMENSIONS AND TOLERANCING, SEE ASME Y14.5M-1994	ARROW	D	A051P365

REL NO	LTR	NO	REVISION	DWN	CAD	APVD	DATE
ECO-152551	A	1	PRODUCTION RELEASE	CG	NK	M. WICKMANN	14MAY15



F217-2 ENCLOSURE CONFIGURATION
REFER TO PAGE 1 (F231-2 ENCLOSURE FOR OTHER F217-2 ENCLOSURE DIMENSIONS.)

UNLESS OTHERWISE SPECIFIED, ALL DIMENSIONS ARE IN MILLIMETERS		SIM TO NONE	DWN C. GADE		CUMMINS POWER GENERATION																				
DO NOT SCALE PRINT			CAD N. KASIBHOTLA		OUTLINE, ENCLOSURE																				
<table border="1"> <tr> <td>X ± 1</td> <td>0.00- 4.99 +0.15/-0.08</td> </tr> <tr> <td>.X ± 0.8</td> <td>5.00- 9.99 +0.20/-0.10</td> </tr> <tr> <td>.XX ± 0.38</td> <td>10.00-17.49 +0.25/-0.13</td> </tr> <tr> <td></td> <td>17.50-24.99 +0.30/-0.13</td> </tr> </table>	X ± 1	0.00- 4.99 +0.15/-0.08	.X ± 0.8	5.00- 9.99 +0.20/-0.10	.XX ± 0.38	10.00-17.49 +0.25/-0.13		17.50-24.99 +0.30/-0.13	<table border="1"> <tr> <td>APVD M. WICKMANN</td> <td>DATE 14MAY15</td> </tr> </table>	APVD M. WICKMANN	DATE 14MAY15	<table border="1"> <tr> <td>SCALE: ~3/32</td> <td>ARROW</td> </tr> </table>	SCALE: ~3/32	ARROW	<table border="1"> <tr> <td>PGF</td> <td>PGF</td> </tr> </table>	PGF	PGF	<table border="1"> <tr> <td>SHEET 2 OF 2</td> <td>REV A</td> </tr> </table>	SHEET 2 OF 2	REV A	<table border="1"> <tr> <td> - CONFIDENTIAL - PROPERTY OF CUMMINS POWER GENERATION GROUP FOR INTERPRETATION OF DIMENSIONS AND TOLERANCING, SEE ASME Y14.5M-1994 </td> <td> FIRST USED ON ARROW </td> <td> SITE CODE PGF </td> <td> PART NO A051P365 </td> </tr> </table>	- CONFIDENTIAL - PROPERTY OF CUMMINS POWER GENERATION GROUP FOR INTERPRETATION OF DIMENSIONS AND TOLERANCING, SEE ASME Y14.5M-1994	FIRST USED ON ARROW	SITE CODE PGF	PART NO A051P365
X ± 1	0.00- 4.99 +0.15/-0.08																								
.X ± 0.8	5.00- 9.99 +0.20/-0.10																								
.XX ± 0.38	10.00-17.49 +0.25/-0.13																								
	17.50-24.99 +0.30/-0.13																								
APVD M. WICKMANN	DATE 14MAY15																								
SCALE: ~3/32	ARROW																								
PGF	PGF																								
SHEET 2 OF 2	REV A																								
- CONFIDENTIAL - PROPERTY OF CUMMINS POWER GENERATION GROUP FOR INTERPRETATION OF DIMENSIONS AND TOLERANCING, SEE ASME Y14.5M-1994	FIRST USED ON ARROW	SITE CODE PGF	PART NO A051P365																						

Part A051P365 A

Description	Legacy Name	External Regulations	Application Status	Release Phase Code	Security Classification	Alternates
OUTLINE,ENCLOSURE	A051P365	None	Production Only	Production	Public	

Part Specifications :A051P365 A

Name	Description	Legacy Name
A030B356	SPECIFICATION,MATERIAL	CES10903
A051P366	DRAWING,ENGINEERING	A051P366