

RP6500 E Portable Generator



6500 W Running | 8125 W Starting

Features

- Reliable power when you need it for home, work and play
- Easy to set up and operate
- Built tough with a heavy-duty frame, never-flat wheels and a hinged handle
- All-steel construction
- Engineered to run cool and quiet
- Enhanced safety features, including recessed sockets with waterproof covers
- Lithium Ion battery
- Electric/recoil start
- Automatically charges the battery when the set is running



Control Panel

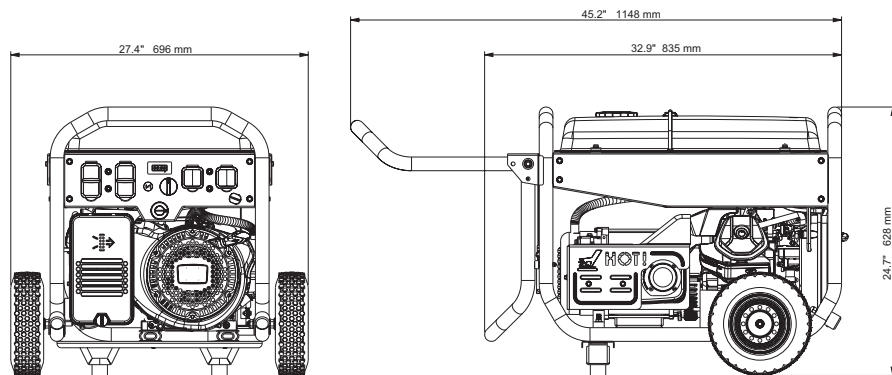


Specifications

Product Series	RP Generators
Model Configuration	RP6500 E
AC Rated Output Running (Watts)	6500
AC Rated Output Starting (Watts)	8125
AC Voltage (Volts)	120/240
AC Frequency (Hz)	60
Engine Displacement (cc)	420
Engine Type	OHV
Engine Speed (RPM)	3600
Recommended Oil	SAE30/10W-30
Lubrication Method	Splash
Automatic Voltage Regulation (AVR)	Yes
Starting Method	Electric/Recoil
Low-Oil Shutdown Method	Low Level
Battery Type	Lithium Ion
Fuel Gauge	On Tank
Fuel Tank Nominal Capacity Gal (ltr)	7.9 (30)
Run Time at 50% (hrs)	12
Handle Style	Double Folding
Wheel Type	Never-Flat
Warranty	Longer-term 3-year limited warranty applies when registered within 30 days. Standard 2-year limited warranty applies if not registered within 30 days.

Dimensions and Weights

Length in (mm)	32.9 (835)
Width in (mm)	27.4 (696)
Height in (mm)	24.7 (628)
Extended Length in (mm)	45.2 (1148)
Carton Length in (mm)	33.9 (860)
Carton Width in (mm)	21.7 (550)
Carton Height in (mm)	23.4 (593)
Unit Weight lbs (kg)	187.0 (85)
Shipping Weight lbs (kg)	200.2 (91)



Dealer Contact Information

CATERPILLAR®

© 2016 Caterpillar. All Rights Reserved.
CAT, CATERPILLAR, their respective logos, "Caterpillar Yellow," the "Power Edge" trade dress, as well as corporate and product identity used herein, are trademarks of Caterpillar and may not be used without permission.