

25 & 30kW¹ Standby Generator



Briggs & Stratton® The Smart Choice

Durable back-up power for businesses and luxury homes. Guard against losses due to power outages with a Briggs & Stratton Standby Generator.



Parts • Labor • Travel
Limited
Warranty³



Easy to Service

- Convenient access to maintenance and disassembly points for quicker trouble-free servicing
- Easier to open gas spring roof keeps the hood in place during service
- Direct access to engine, alternator and fuel system

Quality Clean Power

- Ensures that electronics are safely powered

Liquid-Cooled Briggs & Stratton® Engine

- Delivers the dependability homeowners expect from a generator
- Tailored to standby generator applications with hardened seats and valves
- Easy conversion between natural gas (NG) and liquid propane vapor (LPV) during installation

Symphony® II Power Management System

- Customizable to your home's needs
- Automatically balances the power of your home's electrical load including high wattage items like air conditioning units and electric ovens
- Offers whole house power with a more affordable home generator

Corrosion Resistant Enclosure & Base

- Made with automotive grade galvanized steel to resist rust
- Powder-coated paint for years of protection against chips and abrasions

Briggs & Stratton® Full Synthetic Generator Oil

- Shields the engine from low temperature sludge buildup and high temperature deposits
- Reduces engine wear, scuffing and abrasion
- Enhanced cold weather start-up protection to -20°F

Generator Set Rating

Model	Voltage	Power Factor	Phase ²	Hz	Circuit Breaker Amps	Liquid Propane Vapor			Natural Gas		Controller	Limited Warranty ³ Parts, Labor, Travel
						kW' / kVA	Amps	kW' / kVA	Amps			
076180	120 / 240	1.0	1	60	125	25 / 25	104	25 / 25	104	Briggs & Stratton®	5 Year	
076171	120 / 208	0.8	3	60	90	25 / 31	86	25 / 31	86	Briggs & Stratton®	5 Year	
076173	120 / 240	0.8	3	60	80	25 / 31	75	25 / 31	75	Briggs & Stratton®	5 Year	
076175	277 / 480	0.8	3	60	40	25 / 31	37	25 / 31	37	InteliNano	5 Year	
076191	120 / 208	0.8	3	60	110	30 / 37	104	30 / 37	104	Briggs & Stratton®	5 Year	
076193	120 / 240	0.8	3	60	90	30 / 37	90	30 / 37	90	Briggs & Stratton®	5 Year	
076195	277 / 480	0.8	3	60	45	30 / 37	45	30 / 37	45	InteliNano	5 Year	

¹ This generator is rated in accordance with UL (Underwriters Laboratories) 2200 (stationary engine generator assemblies) and CSA (Canadian Standards Association) standard C22.2 No. 100-14 (motors and generators).

² Single phase units are rated at 1.0 power factor and three phase units are rated 0.8 power factor.

³ See operator's manual or BRIGGSandSTRATTON.com for complete warranty details.



Engine Specifications

Engine	
Manufacturer	Briggs & Stratton®
Type	1.6L 4 Cycle, Naturally Aspirated
Speed (RPM)	3600
Cylinder Arrangement	Inline 4
Displacement (L)	1.6
Bore & Stroke (in / mm)	3.19 x 3.03 / 81 x 77
Compression Ratio	9.5:1
Governor Type	Electronic
Frequency Regulation Steady State	+/- 0.5%
Frequency Regulation No-load to Full-load	Isochronous
Air Filter Type	Dry
Limited Warranty³	5 Years Parts, Labor and Travel
Lubrication System	
Type	Full Pressure
Oil Capacity (qt / L)	3.7 / 3.5
Oil Filter (Quantity / Type)	1 / Cartridge
Cooling System	
Heat Rejected to Cooling Water at Rated Load (BTU/min / kcal/sec)	1366 / 5.7
Water Pump Type	Centrifugal
Sound Rating at 7 Meters	
No Load	66 dB(A) ²
Air Induction System	
Combustion Air (cfm / m³/min)	81 / 2.3

Electrical System	
Ignition System	Electronic
Battery Quantity	1
Battery Voltage (VDC)	12
Battery CCA (A)	800
Battery Charging Alternator	
Ground (Negative/Positive)	Negative
Voltage (VDC)	12
Amperage (A)	90
Starter Motor Voltage (VDC)	12

Exhaust System	
Exhaust Manifold Type	Dry
Exhaust Flow at Rated Load (cfm / m³/min)	431 / 12.2
Exhaust Temperature at Rated Load (°F / °C)	1280 / 693
Maximum Allowable Back Pressure (in Hg / kPa)	3.5 / 11.9

Fuel System	
Fuel Type	LPV or NG
Fuel Supply Line Inlet	1 NPT
Recommended Fuel, Lower Heating Value Minimum (BTU/ft³ / MJ/m³)	NG - 904 / 34.3 LPV - 2338 / 87.1
Fuel Supply Pressure (in H₂O / mbar)	5-11 / 12-28

Fuel Consumption ⁴				
	Full Load	1/2 Load	No Load	
25kW	BTU/hr	NG - 386,000 LP - 391,000	NG - 278,000 LP - 286,000	NG - 144,000 LP - 158,000
	ft³/hr	NG - 386 LP - 157	NG - 278 LP - 115	NG - 144 LP - 64
	m³/hr	NG - 11 LP - 4.5	NG - 7.9 LP - 3.3	NG - 4.1 LP - 1.8
30kW	BTU/hr	NG - 444,000 LP - 483,000	NG - 293,000 LPV - 328,000	NG - 146,000 LPV - 154,000
	ft³/hr	NG - 444 LP - 194	NG - 293 LP - 132	NG - 146 LP - 62
	m³/hr	NG - 12.6 LP - 5.5	NG - 8.3 LP - 3.8	NG - 4.2 LP - 1.8

Engine Output Deratings	
Rated Temperature (°F / °C)	77 / 25
Rated Altitude	1200 ft (366 m) Above Sea Level
Temperature Derate	1.5% for Every 10°F (5.6°C) Above Rated Temperature
Altitude Derate	2.5% for Every 1000 ft (305 m) Above Rated Altitude

¹ This generator is rated in accordance with UL (Underwriters Laboratories) 2200 (stationary engine generator assemblies) and CSA (Canadian Standards Association) standard C22.2 No. 100-14 (motors and generators).

² Lowest no-load measurement per ISO 3744. Sound level measurement at other locations around generator may be different depending upon installation configuration.

³ See operator's manual or BRIGGSandSTRATTON.com for complete warranty details.

⁴ Fuel consumption rates are estimated based on normal operating conditions. Generator operation may be greatly affected by elevation and the cycling operation of multiple electrical appliances – fuel flow rates may vary depending on these factors.



Additional Features

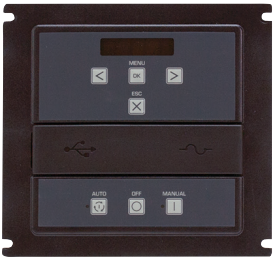
Weights & Dimensions

Assembled Weight (lbs / kg)	1000 / 454
Overall Dimensions (in / mm)	71 x 32.3 x 37 / 1803 x 820 x 940
Packaged Weight (lbs / kg)	1086 / 493
Packaged Dimensions (in / mm)	75.8 x 35.9 x 43.7 / 1925 x 912 x 1110

Available Accessories

6268 / 6280	Maintenance Kit
6270	Cold Weather Kit
6517	InfoHub™
6144	Remote LED Kit
6471	Retrofit Module
6491	Local Emergency Stop Switch

Controllers



Briggs & Stratton® AMF Controller

- User-friendly control panel for troubleshooting
- Conveniently monitors diagnostic conditions, displays system fault codes and sets weekly exercise cycle
- Easy-to-read alpha-numeric scrolling display
- Built-in battery charger
- UL recognized

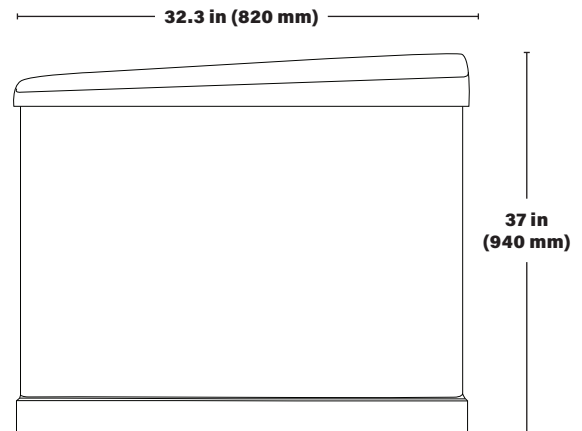
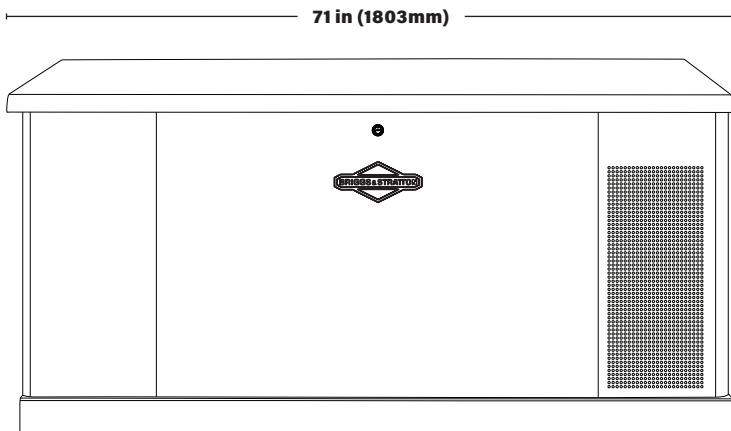


InteliNano (NT) Controller

- 3-Phase generator application only
- Large graphical display
- 3-Phase voltage sensing
- "Zero" power consumption mode
- Easy installation and user-friendly operation
- 10 event history log
- USB communication interface
- Six binary inputs, three analog inputs
- Two low-current and two high-current binary outputs
- UL recognized

Other Features

- Battery rack and cables
- Electronic, isochronous governor
- Gas fuel system (includes fuel mixer, electronic secondary gas regulator, gas solenoid valve, and flexible fuel line between the engine and the skid-mounted fuel system components)
- Integral vibration isolation
- Oil drain extension
- Operation and installation literature²
- Galvanneal enclosure



¹ This generator is rated in accordance with UL (Underwriters Laboratories) 2200 (stationary engine generator assemblies) and CSA (Canadian Standards Association) standard C22.2 No. 100-14 (motor and generators).

² The installation manual contains specific instructions related to generator placement in addition to NFPA 37, including the requirement that carbon monoxide detectors be installed and maintained in your home or business.



Alternator Specifications

	1 Phase	3 Phase	3 Phase	3 Phase	3 Phase	3 Phase	3 Phase
Model	076180	076171	076173	076175	076191	076193	076195
Alternator Model	25BSPP2-0	25TBSP2-2	25TBSP2-2	25TBSP2-2	30TBSP2-2	30TBSP2-2	30TBSP2-2
Manufacturer	Coliseum	Coliseum	Coliseum	Coliseum	Coliseum	Coliseum	Coliseum
Type	Brushed, 4-Lead	Brushless, 12-Lead	Brushless, 12-Lead	Brushless, 12-Lead	Brushless, 12-Lead	Brushless, 12-Lead	Brushless, 12-Lead
Frequency (Hz)	60	60	60	60	60	60	60
Phase	1	3	3	3	3	3	3
Alternator Configuration	-	Wye	Delta	Wye	Wye	Delta	Wye
Exciter Type	Self-Excited	Self-Excited	Self-Excited	Self-Excited	Self-Excited	Self-Excited	Self-Excited
Number of Poles	2	2	2	2	2	2	2
Voltage Regulator	Analog, 1-Phase Sensing	Analog, 1-Phase Sensing	Analog, 1-Phase Sensing	Analog, 1-Phase Sensing	Analog, 1-Phase Sensing	Analog, 1-Phase Sensing	Analog, 1-Phase Sensing
Insulation Rating	Class H	Class H	Class H	Class H	Class H	Class H	Class H
Designed Temperature Rise	125°C	125°C	125°C	125°C	125°C	125°C	125°C
Bearing (Quantity / Type)	1 / Sealed	1 / Sealed	1 / Sealed	1 / Sealed	1 / Sealed	1 / Sealed	1 / Sealed
Coupling	Flexible Disk	Flexible Disk	Flexible Disk	Flexible Disk	Flexible Disk	Flexible Disk	Flexible Disk
Amortisseur Windings	Full	Full	Full	Full	Full	Full	Full
Voltage Regulation, NL to FL	+/- 1.0%	+/- 1.0%	+/- 1.0%	+/- 1.0%	+/- 1.0%	+/- 1.0%	+/- 1.0%
One Step Load Acceptance	100% of Rating	100% of Rating	100% of Rating	100% of Rating	100% of Rating	100% of Rating	100% of Rating
Total Harmonic Distortion (THD), NL to FL	< 5.0	< 5.0	< 5.0	< 5.0	< 5.0	< 5.0	< 5.0

- Windings are insulated using the latest vacuum pressure impregnation technologies
- Superior voltage waveform from a two-thirds pitch stator
- Manufactured according to the following standards: UL1004, NEMA MG1, IEC 60034-1

Support every step of the way

Need help? Visit BRIGGSandSTRATTON.com

Complete the web form and a local dealer will contact you to answer questions on our generators, transfer switches and accessories.

Call today for a FREE in-home estimate! 800-743-4115

¹ This generator is rated in accordance with UL (Underwriters Laboratories) 2200 (stationary engine generator assemblies) and CSA (Canadian Standards Association) standard C22.2 No. 100-14 (motor and generators).

Briggs & Stratton has a policy of continuous product improvement and reserves the right to modify its specifications at any time and without prior notice.

This standby generator is not for prime power applications.

BS1156 - 10/18

BRIGGS & STRATTON CORPORATION
POST OFFICE BOX 702
MILWAUKEE, WI 53201 USA

Copyright ©2018. All rights reserved.



YOU.POWERED.