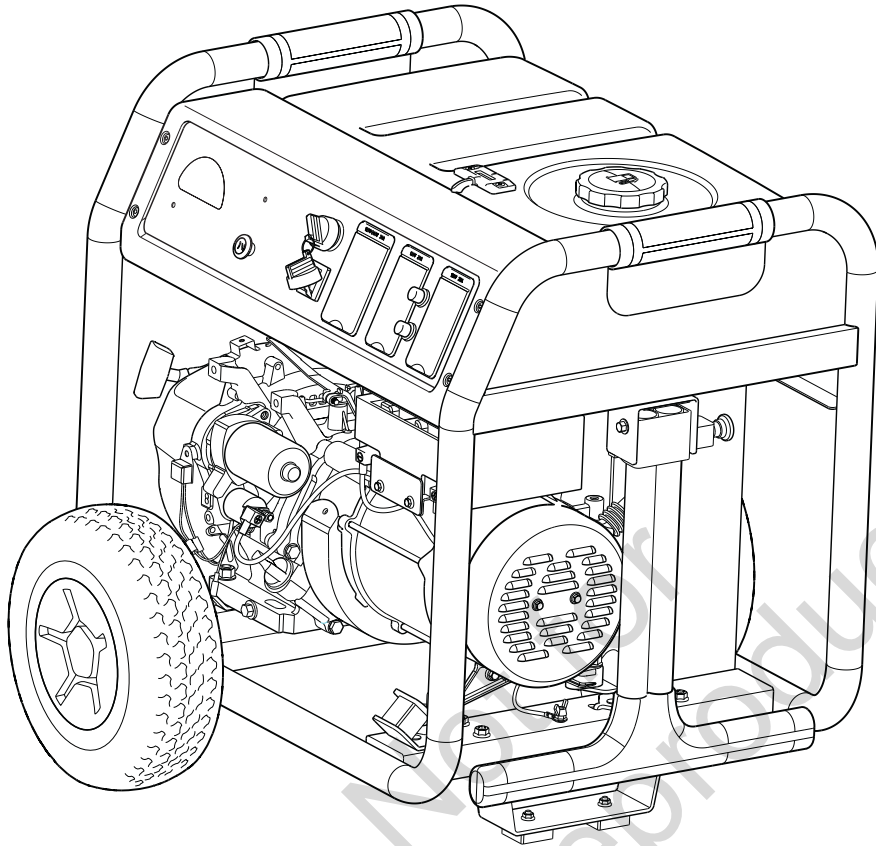




Outdoor Portable Generator Operator's Manual



Model Number _____

Revision _____

Serial Number _____

Date Purchased _____

Equipment Description

Table of Contents







Equipment Description.....	2
Features and Controls	5
Operation.....	7
Maintenance	12
Storage	15
FCC Compliance Statement	15
Troubleshooting/Specifications	16
Warranty	18

Register Your Product

To ensure prompt and complete warranty coverage, register your product online at www.onlineproductregistration.com.

Symbols and Meanings

Signal	Meaning
DANGER	Indicates a hazard which, if not avoided, <i>will</i> result in death or serious injury.
WARNING	Indicates a hazard which, if not avoided, <i>could</i> result in death or serious injury.
CAUTION	Indicates a hazard which, if not avoided, <i>could</i> result in minor or moderate injury.
NOTICE	Indicates information considered important, but not hazard-related.

Symbol	Name	Explanation
	Safety Alert Symbol	Indicates a potential personal injury hazard.
	Operator's Manual	Failure to follow warnings, instructions and operator's manual could result in death or serious injury.
	Toxic Fumes	Engine exhaust contains carbon monoxide, a poisonous gas that will kill you in minutes. You cannot smell it or see it.
	Fire	Fuel and its vapors are extremely flammable which could cause burns or fire resulting in death or serious injury. Engine exhaust could cause fire resulting in death or serious injury.
	Electric Shock	Generator could cause electrical shock resulting in death or serious injury.
	Hot Surface	Muffler could cause burns or resulting in serious injury.



WARNING! This product can expose you to chemicals including gasoline engine exhaust, which is known to the State of California to cause cancer, and carbon monoxide, which is known to the State of California to cause birth defects or other reproductive harm. For more information go to www.P65Warnings.ca.gov.

Equipment Description



Read this manual carefully and become familiar with your outdoor generator. Know its applications, its limitations, and any hazards involved. Save these instructions for future reference.

The outdoor generator is an engine-driven, revolving field, alternating current (AC) generator equipped with a voltage regulator. The generator is designed to supply electrical power for operating compatible electrical lighting, appliances, tools and motor loads. The voltage regulator within the generator is designed to automatically maintain output voltage level.

The portable generator can be used to power outdoor items using extension cords or to restore home power using a transfer switch. A transfer switch is a separate device installed by a licensed electrician that allows the portable generator to be cord connected, using the locking receptacle, directly into your home's electrical system. Install a listed transfer switch as soon as possible if generator will be used to provide home power restoration.

Every effort has been made to ensure that the information in this manual is both accurate and current. However, the manufacturer reserves the right to change, alter or otherwise improve the generator and this documentation at any time without prior notice.

NOTICE If you have questions about intended use, contact an authorized service dealer. This equipment is designed to be used with Briggs & Stratton® authorized parts only.

System Ground

The generator has a system ground that connects the generator frame components to the ground terminals on the AC output receptacles. The system ground is connected to the AC neutral wire (the neutral is bonded to the generator frame).

Special Requirements

There may be Federal or State regulations, local codes, or ordinances that apply to the intended use of the generator. Please consult a qualified electrician, electrical inspector, or the local agency having jurisdiction.

This generator is not intended to be used at a construction site or similar activity as defined by NFPA 70-2017 (NEC) section 590.6.

InfoHub™ Portable Wireless App

Download the InfoHub Portable App* to pair the Bluetooth® enabled generator to your approved Android or iOS smartphone and follow the in app instructions.

The generator is equipped with a status LED to indicate the Bluetooth status. A blinking blue LED indicates the generator is sending a signal to the App on your smartphone. A red LED indicates a fault in the generator's Bluetooth system, contact your closest Briggs & Stratton authorized service dealer.

The InfoHub Portable App allows you to access information about your generator directly through your smartphone.

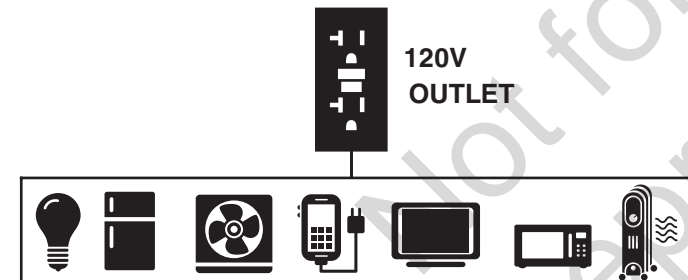
The power usage displayed in the app is a percentage of total generator output. Each receptacle is limited by the receptacles capacity and circuit breaker. See *Connecting Electrical Loads*.

* Data rates apply

The Bluetooth® word mark and logos are registered trademarks owned by the Bluetooth SIG, Inc. and any use of such marks by Briggs & Stratton Corporation is under license. Other trademarks and trade names are those of their respective owners.

To Restore Power Using Extension Cords

1. Only use grounded cords marked for outdoor use rated for your loads.



Total Amperage	Minimum Gauge, Outdoor Rated	
	Up to 50 FT (15 M)	Up to 100 FT (30 M)
Up to 13A	16	14
Up to 15A	14	12
Up to 20A	12	10
Up to 30A	10	8

2. Follow cord safety instructions.
3. Install carbon monoxide alarm(s).
4. When operating generator with extension cords, make sure it is located in an open, outdoor area, at least 20 ft. (6.1 m.) from occupied spaces with exhaust pointed away.
5. Extension cords running directly into home, powering indoor items IS NOT RECOMMENDED.

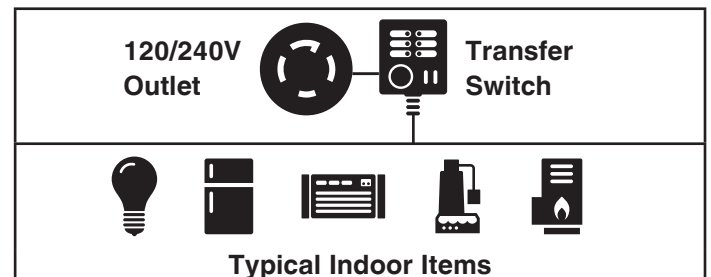


DANGER! Engine exhaust contains carbon monoxide, a poisonous gas that will kill you in minutes. You cannot smell it, see it, or taste it. Even if you do not smell exhaust fumes, you could still be exposed to carbon monoxide gas

- Extension cords running directly into the home increase your risk of carbon monoxide poisoning through openings.
 - If an extension cord running directly into the home is used to power indoor items, the operator recognizes that this increases the risk of CO poisoning to people inside the home and assumes that risk.
6. Install a listed* transfer switch as soon as possible if generator will be used to provide home power restoration.

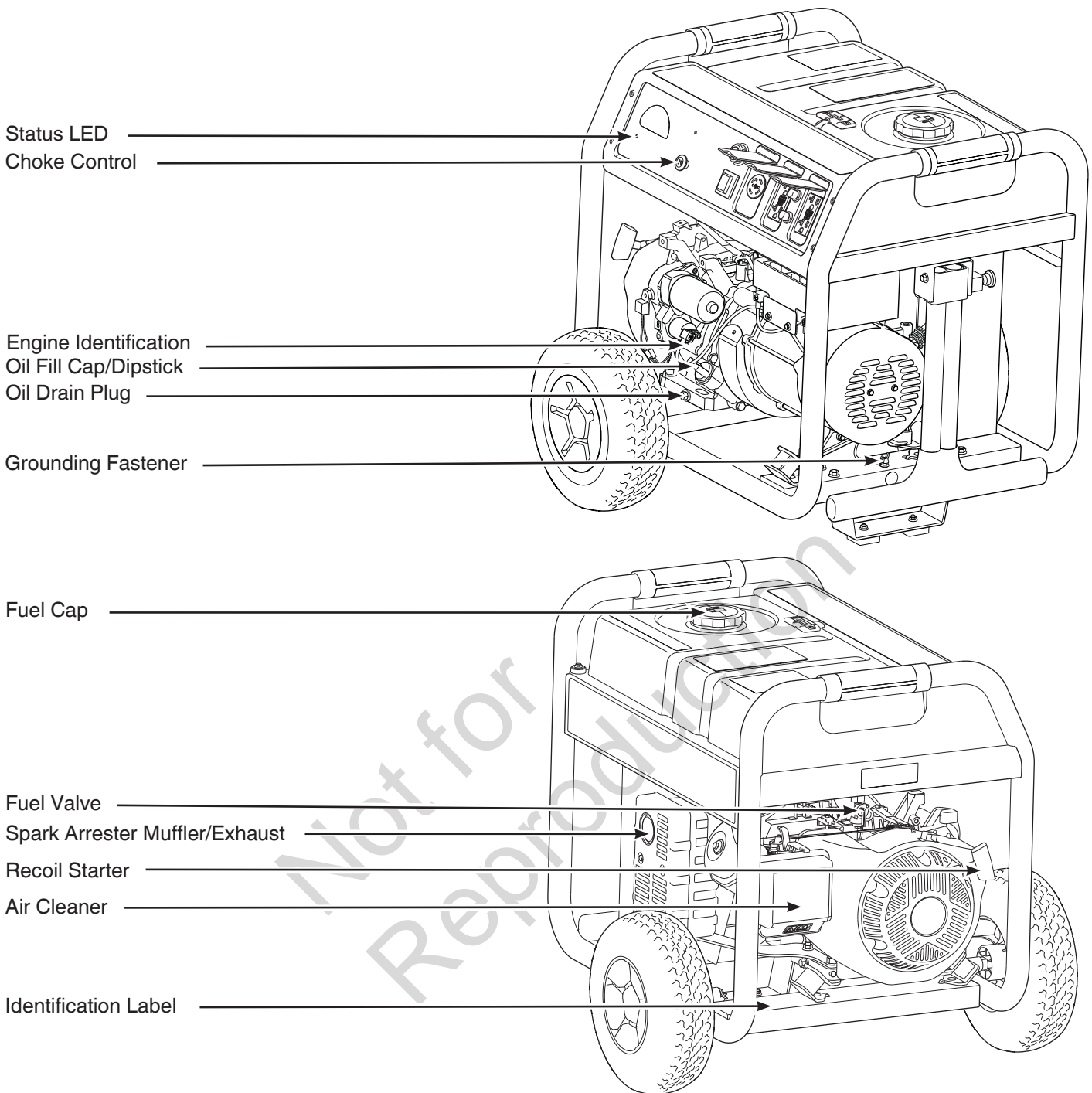
To Restore Home Power Using a Listed Transfer Switch

Connections to your home's electrical system must use a listed* transfer switch installed by a licensed electrician. The connection must isolate the generator power from the utility power and comply with all applicable laws and electrical codes. Power your home with a 30 Amp transfer switch system.



* Certified by a Nationally Recognized Testing Laboratory that the product complies to appropriate product safety test standards.

Equipment Description



Air Cleaner — Filters engine intake air.

Choke Control — Used when starting a cold engine.

Engine Identification — Provides model, type and code of engine.

Fuel Cap — Add unleaded fuel here.

Fuel Valve — Used to turn fuel supply on and off to engine.

Grounding Fastener — Consult your local agency having jurisdiction for grounding requirements in your area.

Identification Label — Provides model and serial number of generator.

Oil Drain Plug — Drain engine oil here.



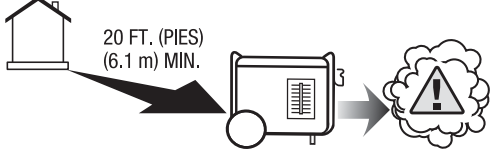

Oil Fill Cap/Dipstick — Check and add engine oil here.

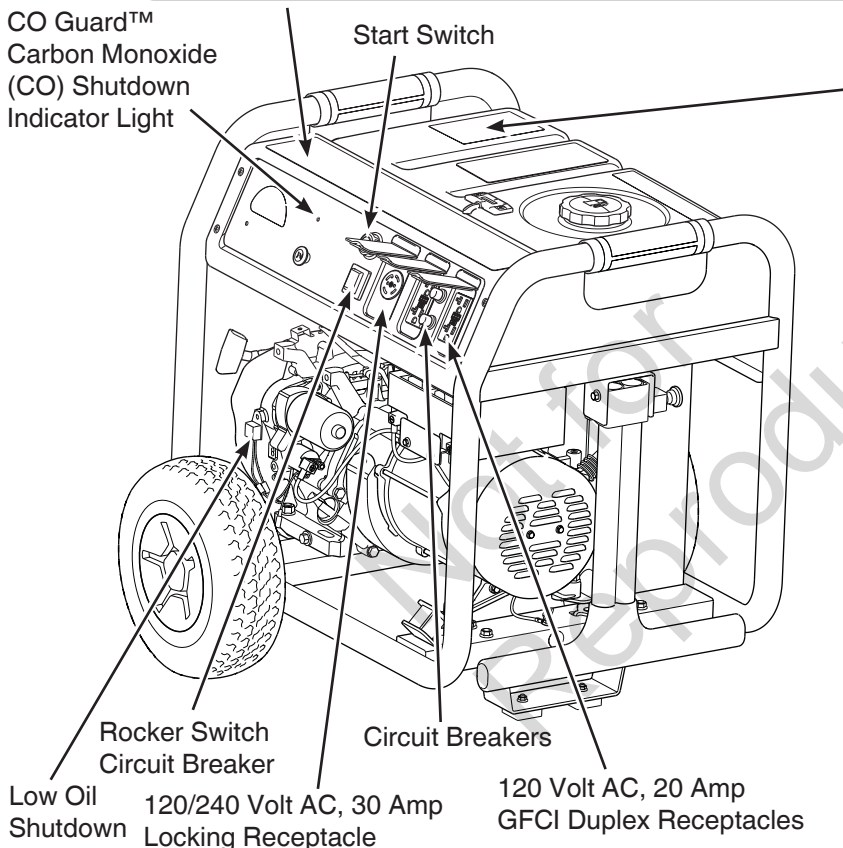
Recoil Starter — Used to start the engine manually.

Spark Arrester Muffler/Exhaust — Exhaust muffler lowers engine noise and is equipped with a spark arrester screen.

Status LED — Indicates generator Bluetooth status.

Compare the illustrations with your generator to familiarize yourself with the locations of various controls and product warnings.

 AUTOMATIC SHUTOFF - YOU MUST:	 CORTE AUTOMÁTICO - DEBE REALIZAR LO SIGUIENTE:
<p>MOVE GENERATOR TO AN OPEN, OUTDOOR AREA, POINT EXHAUST AWAY FROM HOMES. DON'T RUN GENERATOR IN ENCLOSED AREAS (E.G. NOT IN HOUSE OR GARAGE).</p>	<p>MUEVA EL GENERADOR A UNA ZONA ABIERTA, AL AIRE LIBRE, APUNTE EL ESCAPE EN LA DIRECCIÓN OPUESTA DE LAS CASAS. NO ARRANQUE EL GENERADOR EN ZONAS CERRADAS (P. EJ., DENTRO DE UNA CASA O GARAJE).</p>
	<p>UBÍQUESE EN UN LUGAR DONDE CORRA AIRE FRESCO Y BUSQUE AYUDA MÉDICA SI SE SIENTE MAL, MAREADO O DÉBIL.</p>
 <p>MOVE TO FRESH AIR AND GET MEDICAL HELP IF SICK, DIZZY OR WEAK.</p>	<p>UBÍQUESE EN UN LUGAR DONDE CORRA AIRE FRESCO Y BUSQUE AYUDA MÉDICA SI SE SIENTE MAL, MAREADO O DÉBIL.</p>



Low Oil Shutdown — This unit is equipped with a low oil protection device. Oil must be at proper level for engine to run. If the engine oil drops below a preset level, an oil switch will stop the engine. Check oil level with dipstick.

120/240 Volt AC, 30 Amp Locking Receptacle — Used to supply 120 / 240 Volt AC, single phase, 60 Hz power for electrical lighting, appliance, tool and motor loads.

Rocker Switch Circuit Breaker — The 30 Amp locking receptacle is provided with a 2 pole rocker switch circuit breaker to protect the generator against electrical overload.

120 Volt AC, 20 Amp GFCI Duplex Receptacles — Used to supply 120 Volt AC, single phase, 60 Hz power for electrical lighting, appliance, tool and motor loads.


Circuit Breakers (AC) — The 120 Volt AC, 20A GFCI duplex receptacles are provided with “push to reset” 20 Amp circuit breakers to protect the generator against electrical overload.

CO Guard™ Carbon Monoxide (CO) Shutdown Indicator Light — Indicates the engine shutdown due to carbon monoxide accumulation around the generator or a CO Guard system fault occurred.


Start Switch — Turn key to START position to start engine. Turn key to OFF position to switch off engine.

⚠ DANGER

Using a generator indoors CAN KILL YOU IN MINUTES.
Generator exhaust contains carbon monoxide. This is a poison you cannot see or smell.



NEVER use inside a home or garage, **EVEN IF** doors and windows are open.



Only use **OUTSIDE** and far away from windows, doors, and vents.

⚠ PELIGRO

El uso de un generador en un espacio interior PUEDE PROVOCAR LA MUERTE EN POCOS MINUTOS.

Los gases de escape del generador contienen monóxido de carbono, un veneno invisible e inodoro.

NUNCA utilice un generador en el interior de una casa o un garaje, **AUNQUE** haya ventanas y puertas abiertas.

Utilícelo sólo en el **EXTERIOR**, alejado de ventanas, puertas y aberturas de ventilación.

80079478

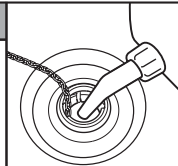
Features and Controls

⚠ WARNING



Fuel is flammable which could cause burns resulting in death or serious injury.

- Turn engine off and let it cool at least 2 minutes before refueling.
- Do not fill fuel above bottom lip.
- Never add fuel to a hot or running generator.



⚠ ADVERTENCIA



El combustible es inflamable, lo que podría causar quemaduras que ocasionen lesiones graves o la muerte.

- Apague el motor y déjelo enfriar al menos 2 minutos antes de agregar combustible.
- No llene el combustible por encima del borde inferior.
- Nunca agregue combustible a un generador caliente o en operación.

80029440



Point engine exhaust away from all homes.
Apunte el escape del motor lejos de las casas.



⚠ DANGER



Failure to follow warnings, instructions and operator's manual will result in death or serious injury.



Tampering with the CO Guard™ will cause Carbon Monoxide poisoning. Install Carbon Monoxide alarms inside home.



Generator could cause electrical shock.

- Do not run indoors to avoid wet conditions.
- Do not run in rain or wet weather.
- Transfer switch must be used when connecting to a home's electrical system



Hot exhaust gases could cause fires. Keep at least 5 ft. (1.5 m) clearance from any combustibles or structures, including overhead.

⚠ PELIGRO



No obedecer las advertencias e instrucciones y el manual del operador provocará lesiones graves o la muerte.



Manipular el CO Guard™ causará envenenamiento por monóxido de carbono. Instale alarmas de monóxido de carbono en el interior de su casa.



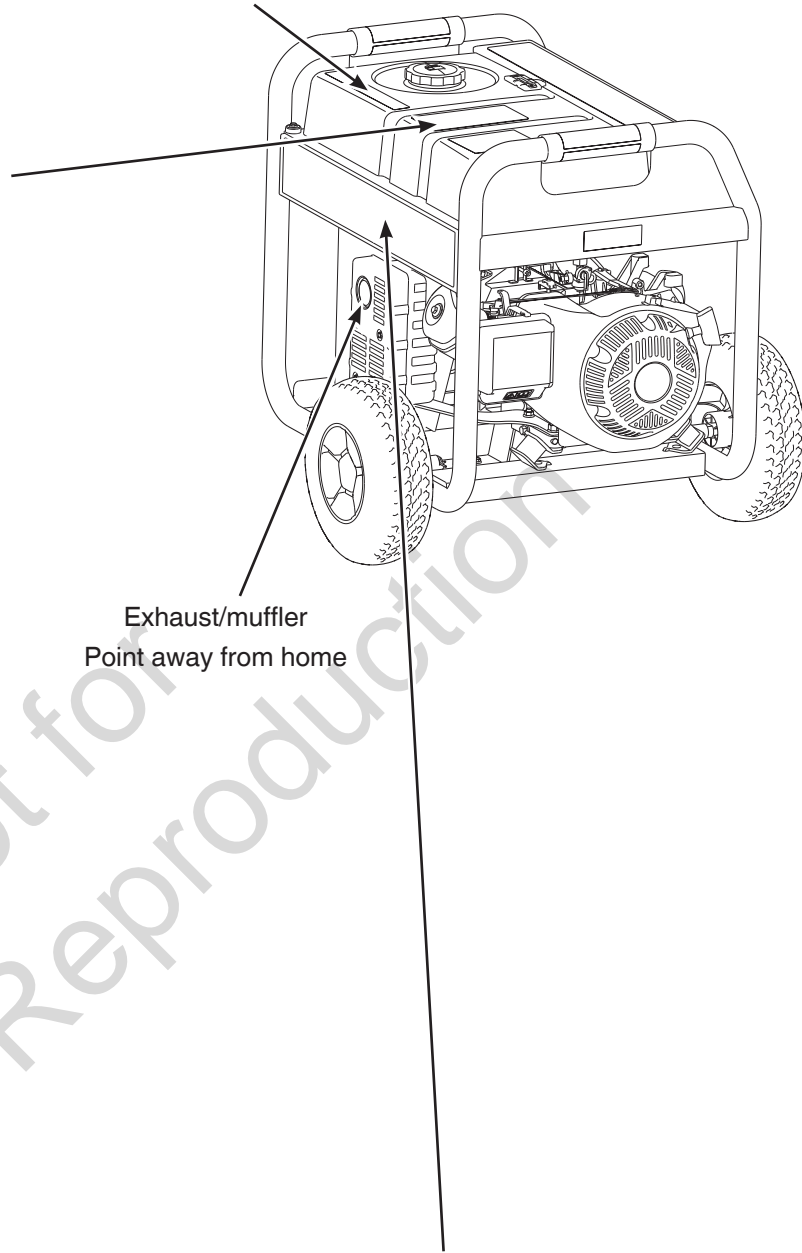
El generador podría causar una descarga eléctrica.

- No opere en interiores para evitar condiciones de humedad.
- No opere en la lluvia ni en clima húmedo.
- Debe usarse el interruptor de transferencia cuando se conecta al sistema eléctrico de una casa.



Los gases calientes del escape podrían causar un incendio. Deje un espacio libre de al menos 5 pies (1,5 m) de cualquier combustible o estructura, incluyendo por encima.

80028949



⚠ WARNING

Muffler could cause burns resulting in serious injury.

- Do not touch hot parts
- Avoid hot exhaust gases



⚠ ADVERTENCIA

El silenciador podría causar quemaduras que ocasionen lesiones graves.

- No toque las partes calientes
- Evite los gases calientes del escape

Operation

Step 1: Safe Location

Before starting the portable generator there are two equally important safety concerns regarding carbon monoxide poisoning and fire that must be addressed.

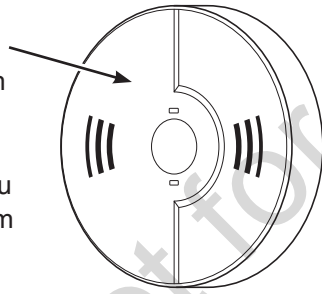
Operation Location to Reduce the Risk of Carbon Monoxide Poisoning

The engine exhaust of all fossil fuel burning equipment, such as a portable generator, contains carbon monoxide, a poisonous gas that will kill you in minutes. You cannot smell it, see it, or taste it. Even if you do not smell exhaust fumes, you could still be exposed to carbon monoxide gas.

By law it is required in many states to have a carbon monoxide alarm in operating condition in your home. A carbon monoxide alarm is an electronic device that detects hazardous levels of carbon monoxide. When there is a buildup of carbon monoxide, the alarm will alert the occupants by flashing visual indicator light and alarm. Smoke alarms cannot detect carbon monoxide gas.

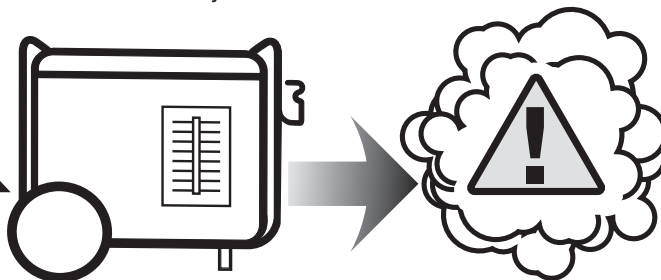
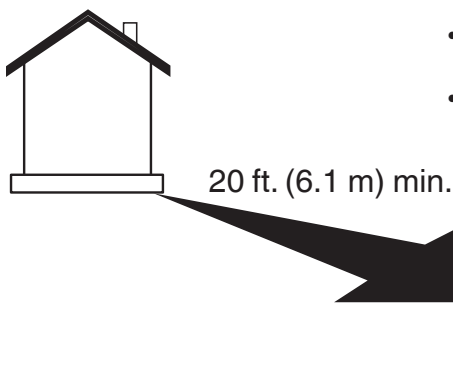
Carbon Monoxide Alarm(s)

Install carbon monoxide alarm inside your home. Without working carbon monoxide alarms, you will not realize you are getting sick and dying from carbon monoxide poisoning.



Prevent Carbon Monoxide (CO) Poisoning

- Use outdoors at least 20 ft. (6.1 m) from any home.
- Point exhaust away from all homes and occupied spaces.
- Install CO alarms inside your home.



DANGER! Engine exhaust contains carbon monoxide, a poisonous gas that will kill you in minutes. You cannot smell it, see it, or taste it.

Even if you do not smell exhaust fumes, you could still be exposed to carbon monoxide gas.

- Operate portable generator only outdoors, at least 20 ft. (6.1 m) from occupied spaces with exhaust pointed away to reduce the risk of carbon monoxide accumulating.
- Install battery-operated carbon monoxide alarms or plug-in carbon monoxide alarms with battery back-up according to the manufacturer's instructions. Smoke alarms cannot detect carbon monoxide gas.
- Do not run portable generator inside homes, garages, basements, crawlspaces, sheds, or other partially-enclosed spaces even if using fans or opening doors and windows for ventilation. Carbon monoxide can quickly build up in these spaces and can linger for hours, even after this product has shut off.

If you start to feel sick, dizzy, weak, or your homes carbon monoxide alarm sounds while using this product, get to fresh air right away. Call emergency services. You may have carbon monoxide poisoning.

To better educate yourself about all carbon monoxide risks, go to www.takeyourgeneratoroutside.com.

Operation

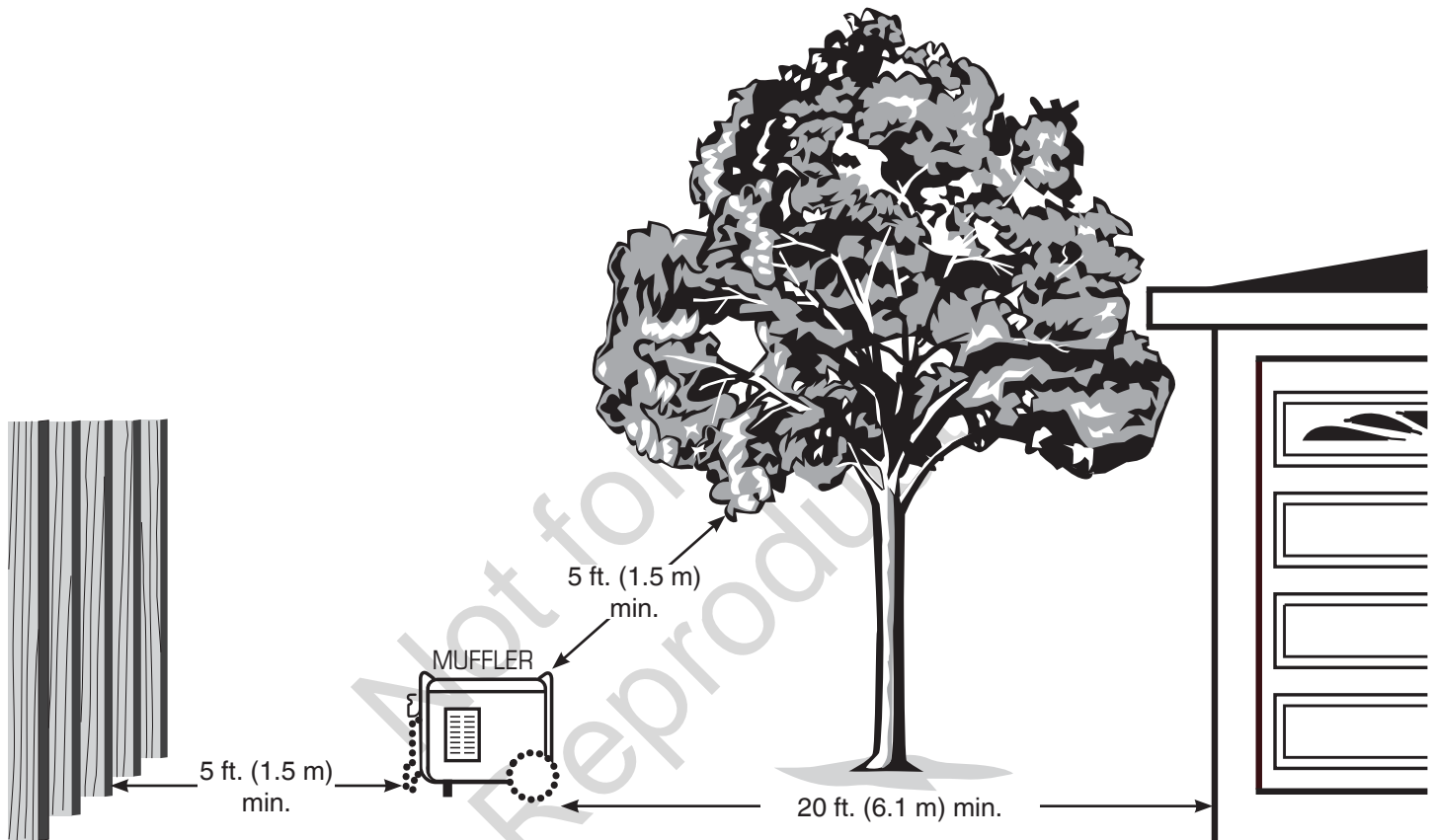
Operation Location to Reduce the Risk of Fire



WARNING! Exhaust heat/gases could ignite combustibles, structures or damage fuel tank causing a fire, resulting in death or serious injury.

- Portable generator must be at least 5 ft. (1.5 m) from any structure, overhang, trees, shrubs, or vegetation over 12 in. (30.5 cm) in height.

- Do not place portable generator under a deck or other type of structure that may confine airflow. Smoke alarm(s) must be installed and maintained indoors according to the manufacturer's instructions/recommendations.
- Carbon monoxide alarms cannot detect smoke.
- Do not place portable generator in manner other than shown.



Step 2: Oil and Fuel

The generator engine is shipped from the factory filled with 10W30 oil. This allows for generator operation in a wide range of temperature and climate conditions. For checking/adding or changing oil see *Maintenance*.

Fuel must meet these requirements:

- Clean, fresh, unleaded fuel with a minimum of 87 octane.
- Gasoline with an ethanol content up to 10% is acceptable.

E10

E15

NOTICE Do not mix oil in fuel or modify engine to run on alternate fuels. Use of unapproved fuels could damage engine and will not be covered under warranty.

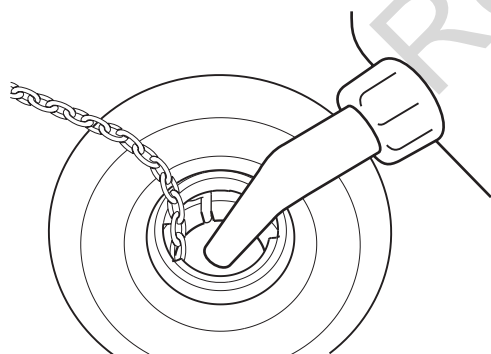
See *High Altitude* for 5,000 ft. and above.



WARNING! Fuel and its vapors are extremely flammable which could cause burns or fire resulting in death or serious injury.

- Do not refuel during operation.
- Do not smoke during refueling.
- Turn engine off and let it cool at least 2 minutes before removing fuel cap.
- Fill fuel tank outdoors. Keep fuel away from sparks, open flames, pilot lights, heat, and other ignition sources. Check fuel lines, tank, cap and fittings frequently for cracks or leaks. Replace if necessary.

1. Slowly remove fuel cap to relieve pressure in tank.
2. Slowly add unleaded fuel to fuel tank. Be careful not to fill above lip. This allows adequate space for fuel expansion.



3. Install fuel cap and let any spilled fuel evaporate before starting engine.

High Altitude

At altitudes over 5,000 ft. (1524 m), a minimum 85 octane fuel is acceptable. To remain emissions compliant, high altitude adjustment is required. Operation without this adjustment will cause decreased performance, increased fuel consumption, and increased emissions.

See an authorized Briggs & Stratton dealer for high altitude adjustment information. Operation of the engine at altitudes below 2,500 ft. (762 m) with the high altitude kit is not recommended.

Transporting

When transporting equipment with a vehicle or trailer, turn fuel shutoff valve to off (O) position. Do not tip engine or equipment at an angle which causes fuel to spill.

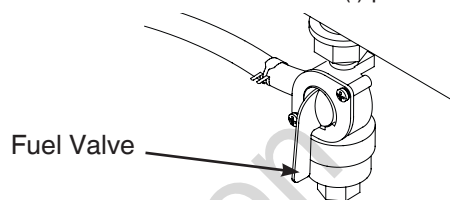
Step 3: Generator Start Up

Disconnect all electrical loads from the generator. Use the following start instructions:

1. Make sure unit is outdoors on a level surface.

NOTICE Failure to operate the unit on a level surface may cause the unit to shut down.

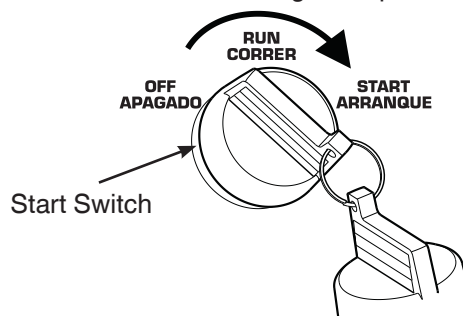
2. Turn the fuel valve to the on (I) position.



3. Pull choke control out to close choke (I\|).



4. Turn and hold key in start switch to START position until generator starts. DO NOT hold key in START position for more than 5 seconds. Pause for at least 30 seconds between starting attempts.



NOTICE If battery is discharged, turn key in start switch to RUN position, grasp recoil handle and pull slowly until slight resistance is felt. Then pull rapidly one time only to start engine.

5. Open choke gradually as engine warms up by pushing in on choke handle.

NOTICE If engine starts but fails to run, see Low Oil Shutdown in *Features and Controls*.

Operation

Step 4: Connecting Electrical Loads

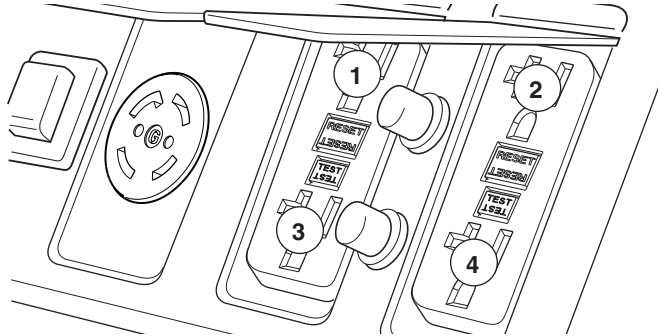
Using Extension Cords

Use only grounded extension cords marked for outdoor use rated for your loads. Follow cord safety instructions.



WARNING! Damaged or overloaded extension cords could overheat, arc, and burn resulting in death or serious injury.

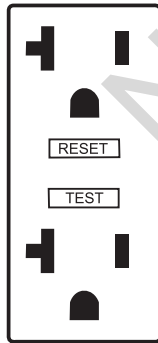
NOTICE For best results when plugging into the 120 Volt receptacles, plug items to be powered in sequence as shown.



NOTICE For generator output required see *Generator Capacity*. Connect electrical loads in off position then turn on for operation.

120 Volt AC, 20 Amp, GFCI Duplex Receptacles

Use each receptacle to operate 120 Volt AC, single-phase, 60 Hz electrical loads requiring up to 2,400 Watts (2.4 kW) at 20 Amps of current.



Ground Fault Protection

The duplex receptacles are equipped with Ground Fault Circuit Interrupter (GFCI) protection. The GFCI protects against electrical shock that may be caused if your body becomes a path which electricity travels to reach ground.

When protected by a GFCI, one may still feel a shock, but the GFCI is intended to cut current off quickly enough so that a person in normal health should not suffer any serious electrical injury.



WARNING! Generator voltage could cause electrical shock or burn resulting in death or serious injury. Contact with the hot and neutral conductor at the same time could cause electrical shock or burn, even if the circuit is GFCI protected.

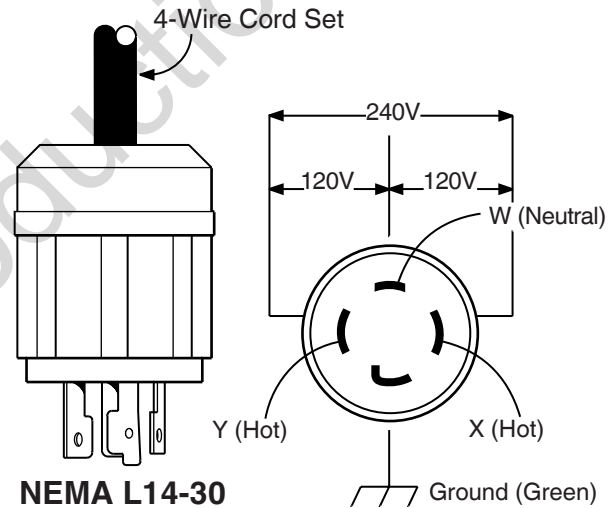
Testing the GFCI

With the engine running, test your GFCI outlet prior to each use, as follows:

- Push the “Test” button. The “Reset” button should pop out, which should allow no power to reach the outlet.
- Press the “Reset” button firmly until it is fully in place and locks in that position. If the GFCI outlet does not reset properly, do not use the outlet. Call or take your generator to a local Briggs & Stratton authorized service dealer.
- If the GFCI trips by itself at any time, reset and test the outlet.

120/240 Volt AC, 30 Amp, Locking Receptacle

Use a NEMA L14-30 plug with this receptacle. Connect a 4-wire cord set rated for 250 Volt AC loads at 30 Amps. *The*



generator's locking receptacle is not protected by a GFCI.

This receptacle powers 120/240 Volt AC, 60 Hz, single phase loads requiring up to 7,200 Watts of power (7.2kW) at 30 Amps for 240 Volts or two independent 120 Volt loads at 30 Amps each.

Generator Capacity

To make sure your generator can supply enough running watts and starting watts for the items you will power at the same time, follow these simple steps:

1. Select the items you will power at the same time. See following list for typical wattages.

Tool or Appliance	Running Watts*	Starting Watts**
Light Bulb - 75 Watt	75	-
Sump Pump - 1/3 HP	1140	2850
Refrigerator/Freezer	550	1350
Water Well Pump - 1/3 HP	575	1440
Window AC - 10,000 BTU	1000	2100
Furnace Fan Blower - 1/2 HP	800	2350
Microwave Oven - 1000 Watt	1000	-
Plasma Television - 50"	500	-
Laptop	250	-
Garage Door Opener - 1/2 HP	300	500

* Typical wattages listed are approximate only. Check tool or appliance for actual wattage.

** Per Briggs & Stratton 628K, Starting Watts represents the momentary electrical current the generator can provide to start electric motors. Starting Watts does not represent the power required to continuously run electrical loads. Starting Watts is the maximum current that can momentarily be supplied when starting a motor, multiplied by the generator's rated voltage.

2. Total the running watts. This is the amount of power your generator must produce to keep your items running. See following example:

Example

Tool or Appliance	Running Watts	Starting Watts
Window AC - 10000 BTU	1000	2100
Refrigerator/Freezer	550	1350
Plasma Television	500	—
Light (75 Watts)	75	—
	2125 Total Running Watts	2100 Highest Starting Watts

Total running watts = 2125

Highest starting watts = 2100

Total generator watts required = 4225

3. Estimate the starting watts you will need. Because not all motors start at the same time, total starting wattage can be estimated by adding only the item with the highest additional starting watts requirements to the total running watts from step 2.

Power Management

To manage generator power, sequentially add loads as follows:

1. With nothing connected to generator, start the engine outdoors.
2. Plug in and turn on the first load, preferably the largest load you have.
3. Permit the generator output to stabilize (engine runs smoothly and attached device operates properly).
4. Plug in and turn on the next load.
5. Again, permit the generator to stabilize.
6. Repeat steps 4 and 5 for each additional load.

Never add more loads than the generator capacity. Take special care to consider surge loads in generator capacity.

CO Guard

Carbon Monoxide (CO) Shutdown System

CO Guard automatically shuts down the engine when harmful levels of carbon monoxide accumulate around the generator or a CO Guard fault occurs. After shutdown, the CO Guard indicator light will blink for at least five minutes per the chart below.

CO Guard DOES NOT replace carbon monoxide alarms. Install battery-powered carbon monoxide alarm(s) in your home. Don't run generator in enclosed areas.

Color/Pattern	Description
Red •• ••	Carbon monoxide accumulated around generator. Move generator to an open, outdoor area 20 ft. (6.1 m) from occupied spaces with exhaust pointed away. Automatic shutoff is an indication generator was improperly located. If you start to feel sick, dizzy, weak, or your homes carbon monoxide alarm sounds while using this product, get to fresh air right away. Call emergency services. You may have carbon monoxide poisoning.
Blue •••	CO Guard fault occurred*. See Briggs & Stratton authorized service dealer.

*Blue light will blink for five seconds at the startup of generator to show CO Guard functioning properly.

Step 5: Generator Shutdown

1. Turn off and unplug all electrical loads from generator panel receptacles. Never stop engine with electrical devices plugged in and turned on.
2. Let engine run at no-load for one minute to stabilize internal temperatures of engine and generator.
3. Turn key in start switch to OFF (0) position.
4. Move fuel valve to off (0) position.

Maintenance

Maintenance

Maintenance Schedule

Follow the hourly or calendar intervals, whichever occurs first. More frequent service is required when operating in adverse conditions noted below.

First 5 Hours
<ul style="list-style-type: none">• Change engine oil
Every 8 Hours or Daily
<ul style="list-style-type: none">• Clean debris• Check engine oil level
Every 25 Hours or Yearly
<ul style="list-style-type: none">• Clean engine air filter¹
Every 100 Hours or Yearly
<ul style="list-style-type: none">• Change engine oil¹
Yearly
<ul style="list-style-type: none">• Replace engine air filter¹• Service fuel valve• Service spark plug• Inspect muffler and spark arrester

¹ Service more often under dirty or dusty conditions.

General Recommendations

Regular maintenance will improve the performance and extend the life of the generator. See any authorized dealer for service.

The generator's warranty does not cover items that have been subjected to operator abuse or negligence. To receive full value from the warranty, the operator must maintain the generator as instructed in this manual.

All service and adjustments should be made at least once each season. A new spark plug and clean air filter assure proper fuel-air mixture and help your engine run better and last longer. Follow requirements in *Maintenance Schedule*.

Emissions Control

Maintenance, replacement, or repair of the emissions control devices and systems may be performed by any non-road engine repair establishment or individual. However, to obtain "no charge" emissions control service, the work must be performed by a factory authorized dealer. See *Emissions Warranty*.

Cleaning

Daily or before use, look around and underneath the generator for signs of oil or fuel leaks. Clean any accumulated debris. Keep area around muffler free from any debris.

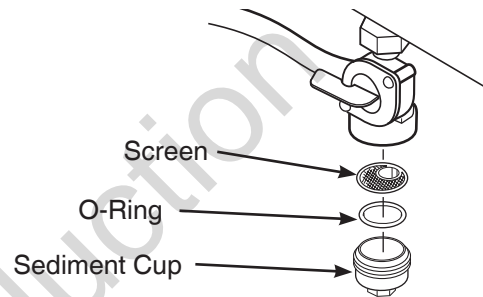
- Use a soft bristle brush to loosen caked on dirt or oil.
- Use a damp cloth to wipe exterior surfaces clean.

NOTICE Improper treatment of generator could damage it and shorten its life. Do not expose generator to excessive moisture, dust, dirt, or corrosive vapors. Do not insert any objects through cooling slots.

Fuel Valve Maintenance

The fuel valve is equipped with a fuel sediment cup, screen, and o-ring that need to be cleaned.

1. Move fuel valve to off (O) position.
2. Remove sediment cup from fuel valve. Remove o-ring and screen from fuel valve.



3. Wash sediment cup, o-ring, and screen in a nonflammable solvent. Dry them thoroughly.
4. Place screen and o-ring into fuel valve. Install sediment cup and tighten securely.
5. Move fuel valve to on (I) position, and check for leaks. Replace fuel valve if there is any leakage.

Battery Maintenance

Other than charging, no maintenance is required for the starting battery. Keep the battery and terminals clean and dry.

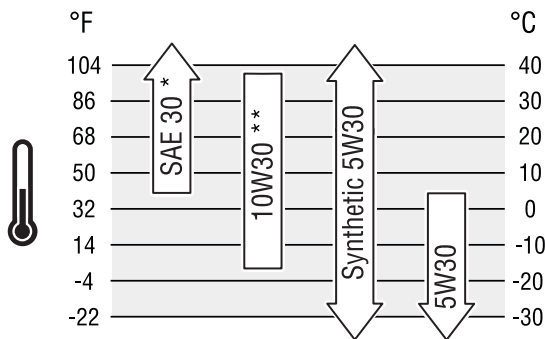
NOTICE Battery charging should be performed in a dry location.

Engine Maintenance

Oil Recommendations

We recommend the use of Briggs & Stratton Warranty Certified oils for best performance. Other high-quality detergent oils are acceptable if classified for service SF or higher. Do not use special additives. See *Common Service Parts*.

Outdoor temperatures determine the proper oil viscosity for the engine. Use the chart to select the best viscosity for the outdoor temperature range expected.



* Below 4°C (40°F) the use of SAE 30 will result in hard starting.

** Above 27°C (80°F) the use of 10W30 may cause increased oil consumption. Check oil level more frequently.

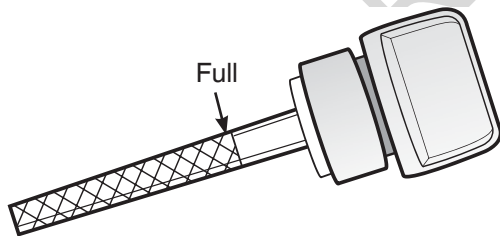
Checking/Adding Engine Oil

Oil level should be checked prior to each use or at least every 8 hours of operation. Keep oil level maintained.

1. Make sure generator is on a level surface.
2. Clean area around oil fill, remove dipstick and wipe with clean cloth. Replace dipstick. Remove and check oil level.

NOTICE Do not screw in dipstick when checking oil level.

3. Verify oil is at full mark on dipstick. Replace and tighten dipstick.



4. If needed, slowly pour oil into oil fill opening to the full mark on dipstick. Do not overfill.

NOTICE Overfilling with oil could cause the engine to not start, or hard starting.

- Do not overfill.
- If over the full mark on dipstick, drain oil to reduce oil level to full mark on dipstick.

5. Replace and tighten dipstick.

NOTICE Do not attempt to crank or start engine before it has been properly serviced with recommended oil. This could result in an engine failure.

CAUTION Avoid prolonged or repeated skin contact with used motor oil. Used motor oil has been shown to cause skin cancer in certain laboratory animals. Thoroughly wash exposed areas with soap and water.



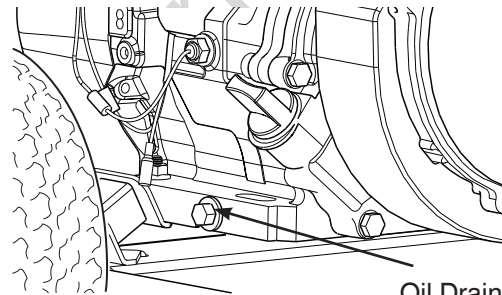
KEEP OUT OF REACH OF CHILDREN. DON'T POLLUTE. CONSERVE RESOURCES. RETURN USED OIL TO COLLECTION CENTERS.

Changing Engine Oil

If you are using your generator under extremely dirty or dusty conditions, or in extremely hot weather, change the oil more often.

Change the oil while the engine is still warm from running, as follows:

1. Make sure unit is on a level surface.
2. Remove oil drain plug and drain oil completely into a suitable container.



3. Reinstall oil drain plug and tighten securely. Remove dipstick.
4. Slowly pour recommended oil (about 36 oz. (1.0 l)) into oil fill opening. Pause to permit oil to settle. Fill to Full mark on dipstick.
5. Wipe dipstick clean each time oil level is checked. Do not overfill.
6. Reinstall dipstick. Tighten cap securely.
7. Wipe up any spilled oil.

Maintenance

Service Air Cleaner

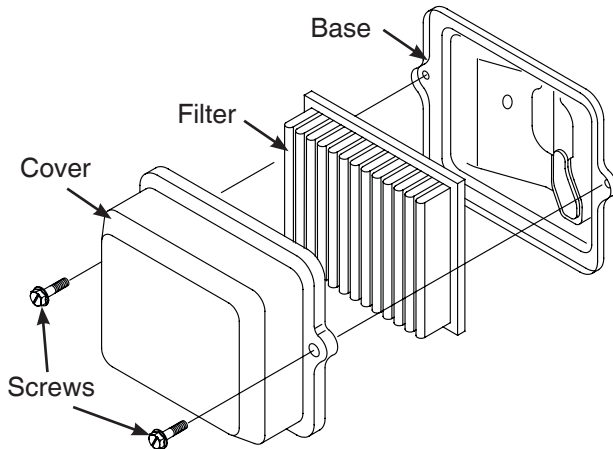


WARNING! Fuel and its vapors are extremely flammable which could cause burns or fire resulting in death or serious injury.

- Do not start and run engine with air filter removed.

Your engine will not run properly and may be damaged if you run it with a dirty air cleaner. Clean or replace more often if operating under dusty or dirty conditions.

1. Loosen screws and remove air cleaner cover.



2. Carefully remove cartridge from base.
3. Install clean (or new) air cleaner assembly inside cover. Dispose of old filter properly.

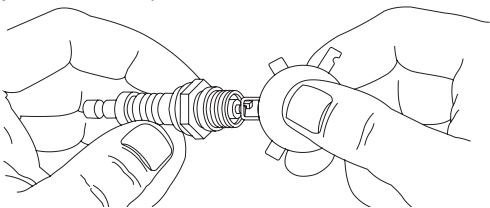
NOTICE If the filter is excessively dirty, replace with a new filter. See *Common Service Parts*.

4. Assemble air cleaner cover onto base and tighten screws.

Service Spark Plug

Changing the spark plug will help your engine to start easier and run better.

1. Clean area around spark plug.
2. Remove and inspect spark plug.
3. Replace spark plug if electrodes are pitted, burned or porcelain is cracked. Use the recommended replacement spark plug. See *Common Service Parts*.
4. Check electrode gap with wire feeler gauge and reset spark plug gap to recommended gap if necessary (see *Specifications*).



5. Install spark plug and tighten firmly.

Inspect Muffler and Spark Arrester

The engine exhaust muffler has a spark arrester screen. Inspect the muffler for cracks, corrosion, or other damage. Inspect spark arrester screen for damage or carbon blockage. Clean if carbon blockage is found or replace if damaged. If replacement parts are required, make sure to use only original equipment replacement parts.

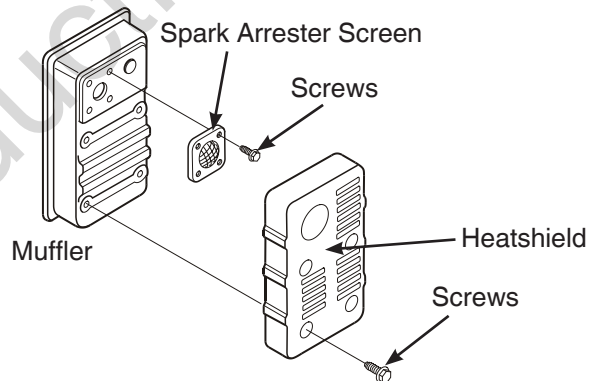


WARNING! Contact with muffler area could cause burns resulting in serious injury.

- Allow equipment to cool before servicing.
- It is a violation of California Public Resource Code, Section 4442, to use or operate the engine on any forest-covered, brush-covered, or grass-covered land unless the exhaust system is equipped with a spark arrester, as defined in Section 4442, maintained in effective working order. Other states or federal jurisdictions may have similar laws, reference Federal Regulation 36 CFR Part 261.52.

Clean or replace spark arrester as follows:

1. Remove four screws that connect heat shield to muffler.



2. Remove four screws that attach spark arrester screen.
3. Obtain a replacement screen. See *Common Service Parts*.
4. Reattach screen and muffler guard.

Common Service Parts

Air Cleaner	491588 or 5043
Spark Plug	491055
Engine Oil Bottle	100005 or 100028
Synthetic Oil Bottle	100074

Contact an authorized service dealer or BRIGGSandSTRATTON.COM for a full list of parts and diagrams.

Storage

If storing the unit for more than 30 days, use the following guidelines to prepare it for storage.

Long Term Storage Instructions

1. Clean the generator as outlined in *Cleaning*.
2. Change engine oil while engine is still warm, drain oil from crankcase. Refill with recommended grade. See *Changing Engine Oil*.
3. Treat or drain fuel from generator as fuel can become stale when stored over 30 days.

Stale fuel causes acid and gum deposits to form in the fuel system or on essential carburetor parts. To keep fuel fresh, use a fuel stabilizer.

There is no need to drain gasoline from the engine if a fuel stabilizer is added according to instructions. Run the engine for 2 minutes to circulate the stabilizer throughout the fuel system before storage.

If gasoline in the engine has not been treated with a fuel stabilizer, it must be drained into an approved container. Run the engine until it stops from lack of fuel. The use of a fuel stabilizer in the storage container is recommended to maintain freshness.



WARNING! Fuel and its vapors are extremely flammable and explosive which could cause burns, fire or explosion resulting in death or serious injury.

- When storing fuel or equipment with fuel in tank, store away from furnaces, stoves, water heaters, clothes dryers or other appliances that have pilot light or other ignition source because they could ignite fuel vapors.
 - When draining fuel, turn generator engine off and let it cool at least 2 minutes before removing fuel cap. Loosen cap slowly to relieve pressure in tank. Drain fuel tank outdoors. Keep fuel away from sparks, open flames, pilot lights, heat, and other ignition sources.
 - Check fuel lines, tank, cap and fittings frequently for cracks or leaks. Replace if necessary.
4. Store generator in clean, dry area and cover with a suitable protective cover that does not retain moisture.



WARNING! Storage covers could cause a fire resulting in death or serious injury.

- Do not place a storage cover over a hot generator. Let equipment cool for a sufficient time before placing the cover on the equipment.

FCC Compliance Statement

FCC Part 15 Information to User

Pursuant to part 15.21 of the FCC Rules, you are cautioned that changes or modifications to transceiver not expressly approved by Briggs & Stratton could void your authority to operate the portable generator.

This device complies with part 15 of the FCC Rules. Operation is subject to the following two conditions: (1) This device may not cause harmful interference, and (2) this device must accept any interference received, including interference that may cause undesired operation.

This equipment has been tested and found to comply with the limits for a Class B digital device, pursuant to part 15 of the FCC Rules. These limits are designed to provide reasonable protection against harmful interference in a residential installation. This equipment generates, uses and can radiate radio frequency energy and, if not installed and used in accordance with the instructions, may cause harmful interference to radio communications. However, there is no guarantee that interference will not occur in a particular installation. If this equipment does cause harmful interference to radio or television reception, which can be determined by turning the equipment off and on, the user is encouraged to try to correct the interference by one or more of the following measures:

- Reorient or relocate the receiving antenna.
- Increase the separation between the equipment and receiver.
- Connect the equipment into an outlet on a circuit different from that to which the receiver is connected.
- Consult the dealer or an experienced radio/TV technician for help.

Troubleshooting/Specifications

Problem	Cause	Correction
Engine is running, but no AC output is available.	<ol style="list-style-type: none"> 1. One of the circuit breakers is open. 2. Poor connection or defective cord set. 3. Connected device is bad. 4. GFCI tripped. 	<ol style="list-style-type: none"> 1. Reset circuit breaker. 2. Check and repair. 3. Connect another device that is in good condition. 4. Reset GFCI.
Engine runs well at no-load but “bogs down” when loads are connected.	<ol style="list-style-type: none"> 1. Generator is overloaded. 	<ol style="list-style-type: none"> 1. See <i>Generator Capacity</i>.
Engine will not start; starts and runs rough or shuts down when running.	<ol style="list-style-type: none"> 1. Engine switch set to off (0) position. 2. Fuel valve is in off (0) position. 3. Low oil level. 4. Dirty air cleaner. 5. Out of fuel. 6. Spark plug wire not connected to spark plug. 7. Flooded with fuel. 	<ol style="list-style-type: none"> 1. Set switch to on (I) position. 2. Turn fuel valve to on (I) position. 3. Fill crankcase to proper level or place generator on level surface. 4. Clean or replace air cleaner. 5. Fill fuel tank. 6. Connect wire to spark plug. 7. Wait 5 minutes and re-crank engine.
Engine shuts down and CO Guard LED blinks red (•• ••).	<ol style="list-style-type: none"> 1. Generator improperly located. 	<ol style="list-style-type: none"> 1. Move generator to an open, outdoor area. See <i>CO Guard Carbon Monoxide (CO) Shutdown System</i>.

For all other issues, see a Briggs & Stratton authorized dealer.

Specifications

Running Watts*	8,000
Starting Watts**	10,000
AC Current at 240 Volts	33.3 Amps
AC Current at 120 Volts	66.6 Amps
Frequency	60 Hz at 3600 rpm
Phase	Single Phase
Displacement	25.63 cu. in. (420 cc)
Spark Plug Gap	0.030 in. (0.76 mm)
Fuel Capacity	7.5 U.S. Gallons (28.4 Liters)
Oil Capacity	36 Ounces (1.0 Liters)

Power Ratings: The gross power rating for individual gasoline engine models is labeled in accordance with SAE (Society of Automotive Engineers) code J1940 Small Engine Power & Torque Rating Procedure, and is rated in accordance with SAE J1995. Torque values are derived at 2600 RPM for those engines with “rpm” called out on the label and 3060 RPM for all others; horsepower values are derived at 3600 RPM. The gross power curves can be viewed at www.BRIGGSandSTRATTON.COM. Net power values are taken with exhaust and air cleaner installed whereas gross power values are collected without these attachments. Actual gross engine power will be higher than net engine power and is affected by, among other things, ambient operating conditions and engine-to-engine variability. Given the wide array of products on which engines are placed, the gasoline engine may not develop the rated gross power when used in a given piece of power equipment. This difference is due to a variety of factors including, but not limited to, the variety of engine components (air cleaner, exhaust, charging, cooling, carburetor, fuel pump, etc.), application limitations, ambient operating conditions (temperature, humidity, altitude), and engine-to engine variability. Due to manufacturing and capacity limitations, Briggs & Stratton may substitute an engine of higher rated power for this engine.

* Generator per PGMA (Portable Generator Manufacturers’ Association) standard ANSI/PGMA G300-2018, Safety and Performance of Portable Generators.

** Per Briggs & Stratton 628K

Not for
Reproduction

BRIGGS & STRATTON PRODUCTS WARRANTY POLICY

LIMITED WARRANTY

Briggs & Stratton warrants that, during the warranty period specified below, it will repair or replace, free of charge, any part that is defective in material or workmanship or both. Transportation charges on product submitted for repair or replacement under this warranty must be borne by purchaser. This warranty is effective for and is subject to the time periods and conditions stated below. For warranty service, find the nearest Authorized Service Dealer in our dealer locator map at BRIGGSandSTRATTON.COM. The purchaser must contact the Authorized Service Dealer, and then make the product available to the Authorized Service Dealer for inspection and testing.

There is no other express warranty. Implied warranties, including those of merchantability and fitness for a particular purpose, are limited to the warranty period listed below, or to the extent permitted by law. Liability for incidental or consequential damages are excluded to the extent exclusion is permitted by law. Some states or countries do not allow limitations on how long an implied warranty lasts, and some states or countries do not allow the exclusion or limitation of incidental or consequential damages, so the above limitation and exclusion may not apply to you. This warranty gives you specific legal rights and you may also have other rights which vary from state to state or country to country.**

WARRANTY PERIOD

Item	Consumer Use	Commercial Use
Equipment	36 months	12 months
Engine*	24 months	12 months
Battery (if equipped)	3 months	None

* Applies to Briggs & Stratton engines only. Warranty coverage of non-Briggs & Stratton engines is provided by that engine manufacturer. Emissions-related components are covered by the Emissions Warranty Statement.

** In Australia - Our goods come with guarantees that cannot be excluded under the Australian Consumer Law. You are entitled to a replacement or refund for a major failure and for compensation for any other reasonably foreseeable loss or damage. You are also entitled to have the goods repaired or replaced if the goods fail to be of acceptable quality and the failure does not amount to a major failure. For warranty service, find the nearest Authorized Service Dealer in our dealer locator map at BRIGGSandSTRATTON.COM, or by calling 1300 274 447, or by emailing or writing to salesenquires@briggsandstratton.com.au, Briggs & Stratton Australia Pty Ltd, 1 Moorebank Avenue, NSW, Australia, 2170.

The warranty period begins on the date of purchase by the first retail or commercial consumer. "Consumer use" means personal residential household use by a retail consumer. "Commercial use" means all other uses, including use for commercial, income producing or rental purposes. Once a product has experienced commercial use, it shall thereafter be considered as a commercial use product for purposes of this warranty.

To ensure prompt and complete warranty coverage, register your product at the website shown above or at www.onlineproductregistration.com.

Save your proof of purchase receipt. If you do not provide proof of the initial purchase date at the time warranty service is requested, the manufacturing date of the product will be used to determine the warranty period. Product registration is not required to obtain warranty service on Briggs & Stratton products.

ABOUT YOUR WARRANTY

Warranty service is available only through Briggs & Stratton Authorized Service Dealers. This warranty covers only defects in materials or workmanship. It does not cover damage caused by improper use or abuse, improper maintenance or repair, normal wear and tear, or stale or unapproved fuel.

Improper Use and Abuse - The proper, intended use of this product is described in the Operator's Manual. Using the product in a way not described in the Operator's Manual or using the product after it has been damaged will not be covered under this warranty. Warranty coverage will also not be provided if the serial number on the product has been removed or the product has been altered or modified in any way, or if the product has evidence of abuse such as impact damage or water/chemical corrosion damage.

Improper Maintenance or Repair - This product must be maintained according to the procedures and schedules provided in the Operator's Manual, and serviced or repaired using genuine Briggs & Stratton parts or equivalent. Damage caused by lack of maintenance or use of non-original parts is not covered by warranty.

Normal Wear and Tear - Like most mechanical devices, your unit is subject to wear even when properly maintained. This warranty does not cover repairs when normal use has exhausted the life of a part or the equipment. Maintenance and wear items such as filters, belts, cutting blades, and brake pads (except engine brake pads) are not covered by warranty due to wear characteristics alone, unless the cause is due to defects in material or workmanship.

Stale or Unapproved Fuel - In order to function correctly, this product requires fresh fuel that conforms to the criteria specified in the Operator's Manual. Engine or equipment damage caused by stale fuel or the use of unapproved fuels (such as E15 or E85 ethanol blends) is not covered by warranty.

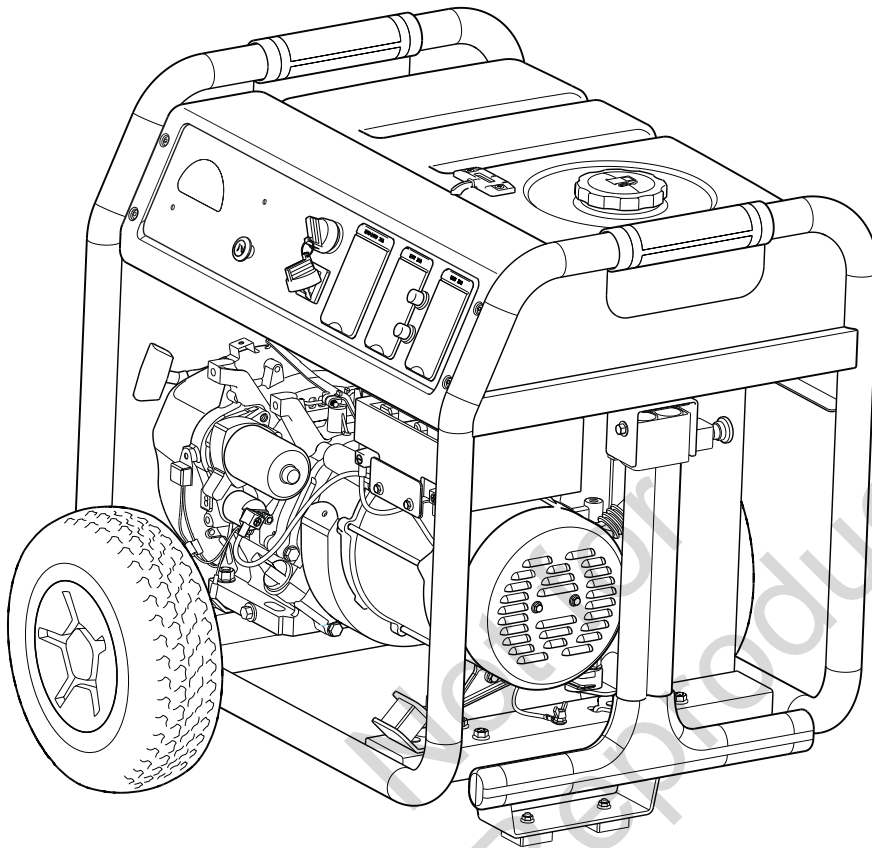
Other Exclusions - This warranty excludes damage due to accident, abuse, modifications, alterations, improper servicing, freezing or chemical deterioration.

Attachments or accessories that were not originally packaged with the product are also excluded. There is no warranty coverage on equipment used for primary power in place of utility power or on equipment used in life support applications. This warranty does not include used, reconditioned, second-hand, or demonstration equipment or engines. This warranty also excludes failures due to acts of God and other force majeure events beyond the manufacturer's control.



Generador portátil para uso en exteriores

Manual del operador



Número de modelo _____

Revisión _____

Número de serie _____

Fecha de compra _____

Descripción del equipo

Índice






Descripción del equipo.	2
Características y controles.	5
Operación	7
Mantenimiento	13
Almacenamiento	16
Declaración de cumplimiento de la FCC	16
Solución de problemas/Especificaciones.	17
Garantía.	18


Registre su producto

Con el fin de garantizar la cobertura de la garantía de forma oportuna y completa, registre su producto en línea en www.onlineproductregistration.com.

Símbolos y advertencias

Señal	Advertencias
PELIGRO	Indica un peligro que, si no se evita, ocasionará la muerte o lesiones graves.
ADVERTENCIA	Indica un peligro que si no es evitado, podría ocasionar la muerte o heridas graves.
ATENCIÓN	Indica un peligro que, si no se evita, podría ocasionar lesiones menores o moderadas.
AVISO	Indica una información considerada importante, pero no relacionada con un peligro.

Símbolo	Nombre	Explicación
	Símbolo de alerta de seguridad	Indica un posible riesgo para su integridad física.
	Manual del operador	El no cumplir con leer y seguir las advertencias, las instrucciones y el manual del operador podrían dar como resultado la muerte o lesiones graves.
	Gases Tóxicos	La descarga de escape del motor contiene monóxido de carbono, un gas tóxico que mata en cuestión de minutos. No puede olerse ni verse.
	Incendio	El combustible y sus vapores son extremadamente inflamables, lo que podría causar quemaduras o incendios que conlleven la muerte o lesiones graves. El escape del motor puede causar un incendio que conlleve la muerte o lesiones graves.
	Descarga eléctrica	El generador podría provocar electrocución que conlleve lesiones graves o la muerte.

Símbolo	Nombre	Explicación
	Superficie caliente	El silenciador puede causar quemaduras que podrían comportar lesiones graves.



¡ADVERTENCIA! Este producto puede exponerlo a sustancias químicas entre las que se incluyen emisiones de escape de motor de gasolina, reconocidas por el Estado de California como causantes de cáncer; y monóxido de carbono, reconocido por el Estado de California como causante de defectos de nacimiento u otros problemas reproductivos. Para obtener más información, visite www.P65Warnings.ca.gov.

Descripción del equipo



Lea este manual cuidadosamente y familiarícese con el generador. Conozca sus aplicaciones, sus limitaciones, y cualquier riesgo implicado. Guarde estas instrucciones para futuras consultas.

El generador para exteriores es un generador de corriente alterna (CA), accionado por motor, de campo giratorio equipado con un regulador de voltaje. Este generador está diseñado para suministrar energía eléctrica para iluminación, aparatos, herramientas y motores compatibles. El regulador de voltaje dentro del generador está diseñado para mantener el nivel de voltaje de salida automáticamente.

Puede utilizar el generador eléctrico portátil para alimentar aparatos al aire libre usando cables de extensión o para restaurar la energía eléctrica del hogar usando un interruptor de transferencia. Una llave de transferencia es un dispositivo independiente que instala un electricista con licencia para conectar el generador portátil con cables, mediante una toma de bloqueo, directamente al sistema eléctrico de su hogar. Instale una llave de transferencia de la lista lo antes posible si el generador se usará para el restablecimiento temporal de la energía eléctrica del hogar.

Se ha realizado el máximo esfuerzo para reunir en este manual la información más precisa y actualizada. No obstante, el fabricante se reserva el derecho de modificar, alterar o mejorar de cualquier otra forma el generador y este documento en cualquier momento y sin previo aviso.

AVISO Si tiene alguna pregunta acerca del uso esperado, póngase en contacto con el distribuidor autorizado. Este equipo se ha diseñado para usarse con partes autorizadas de Briggs & Stratton® únicamente.

Puesta a tierra del sistema

El sistema tiene una puesta a tierra del sistema que conecta los componentes de la estructura del generador con los terminales de tierra en las tomas de salida de CA. La puesta a tierra del sistema está conectada al cable neutral CA (el cable neutral está unido a la estructura del generador).

Requisitos especiales

Pueden existir ordenanzas o códigos locales, federales o del estado que se apliquen al uso previsto del generador. Consulte a un electricista calificado, a un inspector eléctrico o a la agencia local con jurisdicción en el tema: Este generador no debe utilizarse en un emplazamiento de obra según se define por NFPA 70-2017 (NEC) sección 590.6.

Aplicación InfoHub™ Portable

Descargue la aplicación InfoHub Portable* para habilitar el sistema de Bluetooth® en su teléfono inteligente Android o iOS autorizado y siga las instrucciones de la aplicación.

El generador está equipado con una luz LED que indica el estado del Bluetooth. Una luz titilante azul indica que el generador está enviando una señal a la aplicación en su teléfono inteligente. Una luz roja indica una falla en el sistema de Bluetooth del generador; contacte al agente de servicio autorizado Briggs & Stratton más cercano a usted.

La aplicación InfoHub Portable le permite tener acceso a la información sobre el generador en su teléfono inteligente.

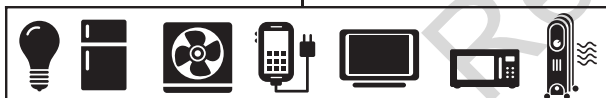
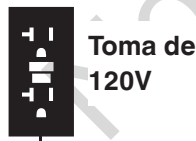
La aplicación muestra un porcentaje de la potencia total del consumo de energía del generador. Cada receptáculo está limitado por su capacidad de almacenamiento y por el interruptor. Consulte la sección *Cómo conectar las cargas eléctricas*.

* Se aplican tarifas de datos

La palabra y logos Bluetooth® son marcas registradas propiedad de Bluetooth SIG, Inc., y cualquier uso de tales marcas por parte de Briggs & Stratton Corporation está sometido a un acuerdo de licencias. Otras marcas y nombres comerciales son propiedad de sus respectivos dueños.

Proporcionar energía usando cables prolongadores

1. Solo use cables de extensión con conexión a tierra identificados para el uso en exteriores y con la clasificación adecuada para sus cargas.



Amperaje total	Válvula mínima con clasificación para exteriores	
	Hasta 15m (50 pies)	Hasta 30m (100 pies)
Hasta 13A	16	14
Hasta 15A	14	12
Hasta 20A	12	10
Hasta 30A	10	8

2. Siga las instrucciones de seguridad de los cables.
3. Instale alarmas de monóxido de carbono.
4. Cuando use el generador con cables de extensión, asegúrese de colocarlo en un área abierta, exterior, a una distancia de al menos 6.1 m (20 pies) de espacios donde haya personas u objetos y con el escape apuntando en la dirección opuesta.
5. NO SE RECOMIENDAN los cables de extensión que se conectan directamente a la casa para alimentar dispositivos para interiores.

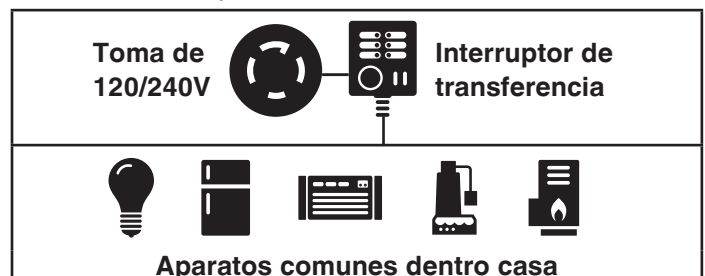


¡PELIGRO! La descarga de escape del motor contiene monóxido de carbono, un gas tóxico que mata en cuestión de minutos. Además de que no se lo puede ver, es inodoro e insípido. Incluso si no huele los gases del escape, puede estar expuesto al monóxido de carbono.

- Los cables de extensión que se conectan directamente a la casa aumentan el riesgo de intoxicación por monóxido de carbono a través de orificios.
 - Si se usa el cable de extensión que se conecta directamente a la casa para alimentar dispositivos para interiores, el operador reconoce que esto aumenta el riesgo de intoxicación por monóxido de carbono de las personas que se encuentren dentro de la casa y, por consiguiente, asume tal riesgo.
6. Instale interruptores de transferencia de la lista* lo antes posible si el generador se usará para el restablecimiento de la energía eléctrica del hogar.

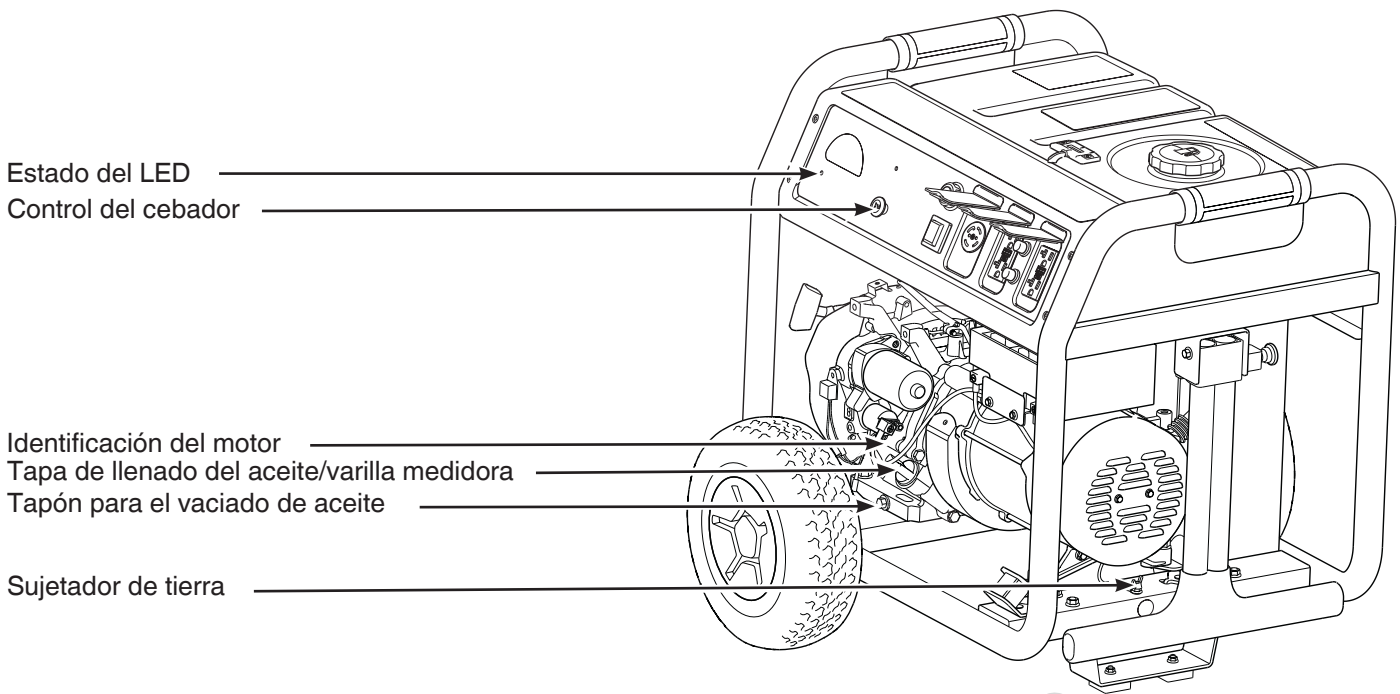
Restablecer la energía de su hogar con uno de los interruptores de transferencia de la lista

Las conexiones al sistema eléctrico de su hogar deben usar un interruptor de transferencia de la lista* y un electricista con licencia debe instalarlo. La conexión debe aislar al generador de energía del suministro de electricidad y cumplir con todas las leyes correspondientes y códigos eléctricos. Suministre energía a su hogar con un sistema de interruptor de transferencia de 30 A.



*Certificado por un laboratorio de pruebas reconocido a nivel nacional que indique que el producto cumple con los estándares adecuados de prueba de seguridad de productos.

Descripción del equipo



Estado del LED
Control del cebador

Identificación del motor
Tapa de llenado del aceite/varilla medidora
Tapón para el vaciado de aceite

Sujetador de tierra

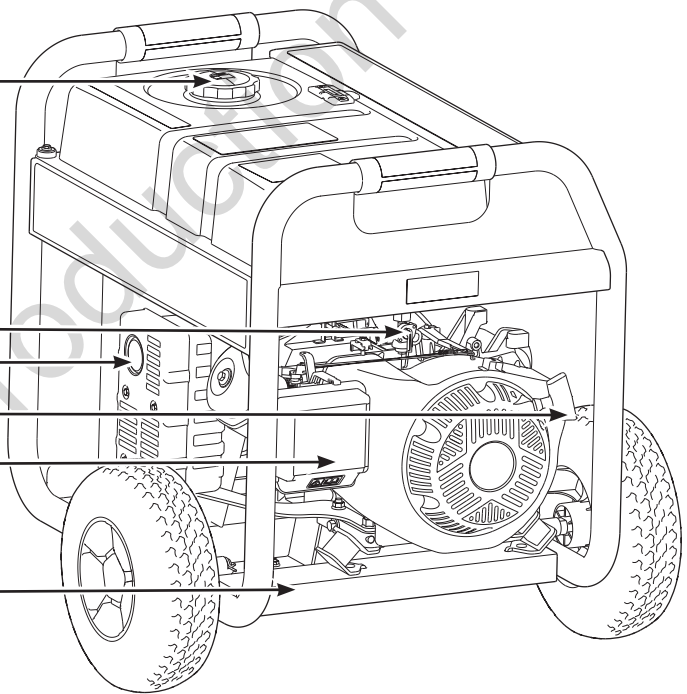
Tapa del combustible

Válvula de combustible
Silenciador con extintor de chispas/Escape

Arrancador retráctil

Filtro de aire

Etiqueta de identificación








Arrancador retráctil — Permite arrancar manualmente el motor.
Control del cebador — Se usa cuando se arranca el motor en frío.
Estado del LED — Indica el estado del Bluetooth del generador.
Etiqueta de identificación — Proporciona el modelo y el número de serie del generador.
Filtro de aire — Filtra el aire que entra al motor.
Identificación del motor — Proporciona modelo, tipo y código del motor.

Silenciador con supresor de chispas/Escape — El silenciador reduce el ruido del motor y está equipado con una pantalla que detiene las chispas.
Sujetador de tierra — Consulte con la agencia local con jurisdicción en el tema sobre los requisitos de conexión a tierra en su área.
Tapa de combustible — Añada combustible sin plomo aquí.
Tapa de llenado del aceite/varilla medidora — Compruebe y añada el aceite del motor aquí.
Tapón para el vaciado de aceite — Vacíe el aceite del motor aquí.
Válvula de combustible — Se usa para encender o apagar el suministro de combustible.

Características y controles

Compare las ilustraciones con su generador para familiarizarse con la ubicación de los diversos controles y advertencias del producto.

 AUTOMATIC SHUTOFF - YOU MUST:	 CORTE AUTOMÁTICO - DEBE REALIZAR LO SIGUIENTE:
MOVE GENERATOR TO AN OPEN, OUTDOOR AREA, POINT EXHAUST AWAY FROM HOMES. DON'T RUN GENERATOR IN ENCLOSED AREAS (E.G. NOT IN HOUSE OR GARAGE).	MUEVA EL GENERADOR A UNA ZONA ABIERTA, AL AIRE LIBRE, APUNTE EL ESCAPE EN LA DIRECCIÓN OPUESTA DE LAS CASAS. NO ARRANQUE EL GENERADOR EN ZONAS CERRADAS (P. E.J., DENTRO DE UNA CASA O GARAJE).
 20 FT. (PIES) (6.1 m) MIN.	
  MOVE TO FRESH AIR AND GET MEDICAL HELP IF SICK, DIZZY OR WEAK.	UBÍQUESE EN UN LUGAR DONDE CORRA AIRE FRESCO Y BUSQUE AYUDA MÉDICA SI SE SIENTE MAL, MAREADO O DÉBIL.

Luz indicadora del sistema de apagado por monóxido de carbono (CO) CO Guard™

Interruptor de arranque

Interruptor basculante de cortacircuitos

Interruptores de circuito

Receptáculo doble GFCI de 120 voltios de AC, 20 A

Apagado por bajo nivel de aceite

Receptáculo de bloqueo de 120 o 240 voltios de AC, 30 A

Apagado por bajo nivel de aceite — Esta unidad está equipada con un dispositivo de protección contra bajo nivel de aceite. Para que el motor arranque y funcione, el nivel del aceite debe ser adecuado. Si la presión de aceite del motor cae por debajo del nivel predeterminado, el interruptor de nivel de aceite detiene el motor. Compruebe el nivel de aceite con la varilla medidora.

Interruptores de circuito — Los receptáculos dobles GFCI de 120 voltios de 20 A cuentan con interruptores con un botón de «restablecimiento» de 20 A para proteger al generador de una sobrecarga eléctrica.

Interruptor basculante de cortacircuitos — El receptáculo de bloqueo de 30 A cuenta con un interruptor basculante de 2 polos para proteger al generador de una sobrecarga eléctrica.

Interruptor de arranque — Gire la llave a la posición START (arranque) para encender el motor. Gire la llave a la posición OFF para apagar el motor.


Luz indicadora del sistema de apagado por monóxido de carbono (CO) CO Guard™ — Indica el apagado del motor debido a una acumulación de monóxido de carbono alrededor del generador o a una falla ocurrida en el sistema CO Guard.

Receptáculo doble GFCI de 120 voltios de AC, 20 A — Se usa para suministrar energía de 120 voltios de AC, monofásica y de 60 Hz para operar luces, electrodomésticos, herramientas y cargas de motores eléctricos.


Receptáculo de bloqueo de 120/240 voltios de AC, 30 A — Se usa para suministrar energía de 120/240 voltios de AC, monofásica y de 60 Hz para operar luces, electrodomésticos, herramientas y cargas de motores eléctricos.

⚠ DANGER

Using a generator indoors CAN KILL YOU IN MINUTES.
Generator exhaust contains carbon monoxide. This is a poison you cannot see or smell.



NEVER use inside a home or garage, **EVEN IF** doors and windows are open.



Only use **OUTSIDE** and far away from windows, doors, and vents.

⚠ PELIGRO

El uso de un generador en un espacio interior PUEDE PROVOCAR LA MUERTE EN POCOS MINUTOS.

Los gases de escape del generador contienen monóxido de carbono, un veneno invisible e inodoro.


NUNCA utilice un generador en el interior de una casa o un garaje, **AUNQUE** haya ventanas y puertas abiertas.

Utilícelo sólo en el **EXTERIOR**, alejado de ventanas, puertas y aberturas de ventilación.

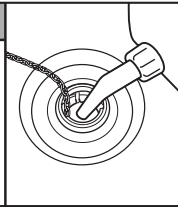
830079478

Características y controles


⚠ WARNING

 Fuel is flammable which could cause burns resulting in death or serious injury.

- Turn engine off and let it cool at least 2 minutes before refueling.
- Do not fill fuel above bottom lip.
- Never add fuel to a hot or running generator.



⚠ ADVERTENCIA


 El combustible es inflamable, lo que podría causar quemaduras que ocasionen lesiones graves o la muerte.


- Apague el motor y déjelo enfriar al menos 2 minutos antes de agregar combustible.
- No llene el combustible por encima del borde inferior.
- Nunca agregue combustible a un generador caliente o en operación.


80029440

↑ Point engine exhaust away from all homes.
↑ Apunte el escape del motor lejos de las casas.


⚠ DANGER

 Failure to follow warnings, instructions and operator's manual will result in death or serious injury.


 Tampering with the CO Guard™ will cause Carbon Monoxide poisoning. Install Carbon Monoxide alarms inside home.


 Generator could cause electrical shock.


- Do not run indoors to avoid wet conditions.
- Do not run in rain or wet weather.
- Transfer switch must be used when connecting to a home's electrical system

 Hot exhaust gases could cause fires. Keep at least 5 ft. (1.5 m) clearance from any combustibles or structures, including overhead.


⚠ PELIGRO

 No obedecer las advertencias e instrucciones y el manual del operador provocará lesiones graves o la muerte.

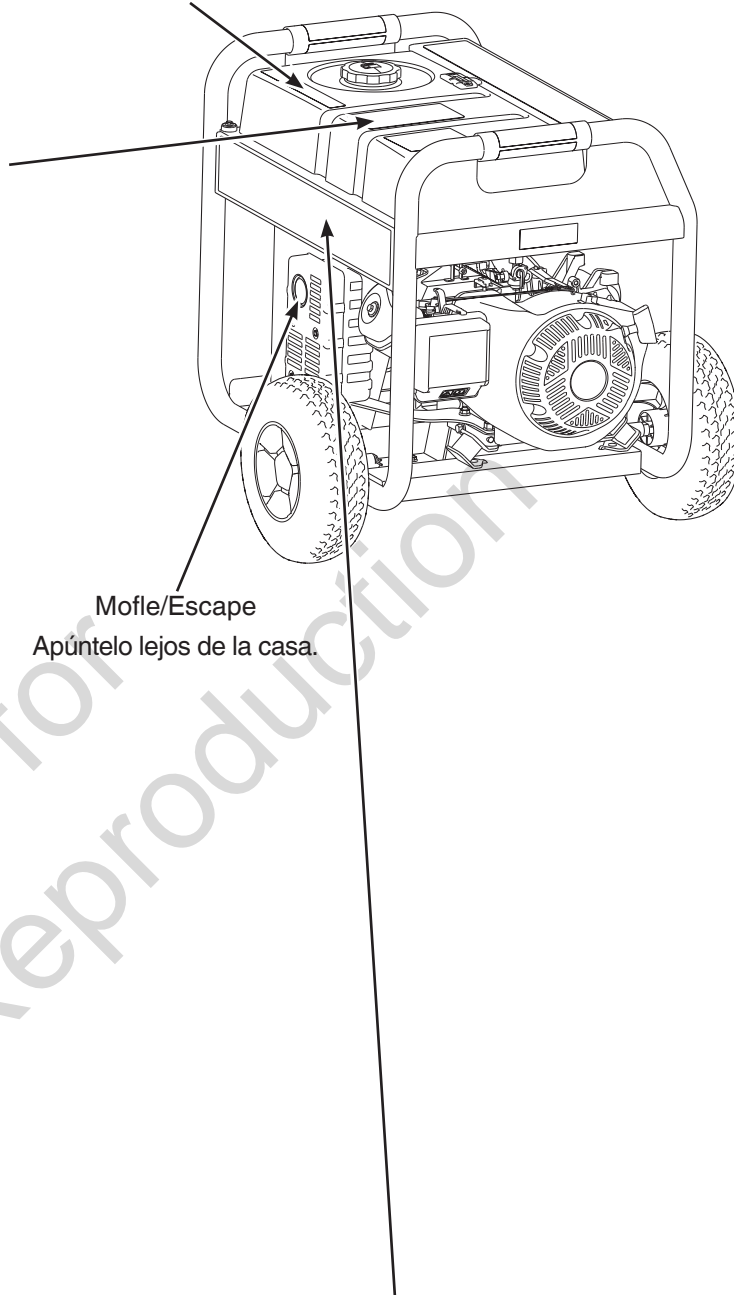
 Manipular el CO Guard™ causará envenenamiento por monóxido de carbono. Instale alarmas de monóxido de carbono en el interior de su casa.

 El generador podría causar una descarga eléctrica.

- No opere en interiores para evitar condiciones de humedad.
- No opere en la lluvia ni en clima húmedo.
- Debe usarse el interruptor de transferencia cuando se conecta al sistema eléctrico de una casa.

 Los gases calientes del escape podrían causar un incendio. Deje un espacio libre de al menos 5 pies (1,5 m) de cualquier combustible o estructura, incluyendo por encima.

80028949



⚠ WARNING

Muffler could cause burns resulting in serious injury.

- Do not touch hot parts
- Avoid hot exhaust gases



⚠ ADVERTENCIA

El silenciador podría causar quemaduras que ocasionen lesiones graves.

- No toque las partes calientes
- Evite los gases calientes del escape

Operación

Paso 1: Ubicación segura

Antes de arrancar el generador portátil hay dos problemas de seguridad igualmente importantes con respecto a la intoxicación por monóxido de carbono e incendios que debe abordarse.

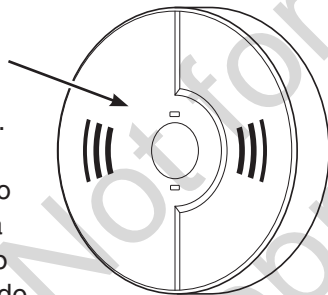
Ubicación de funcionamiento del generador portátil para reducir el riesgo de intoxicación por monóxido de carbono

El escape del motor de todos los equipos que queman combustibles fósiles, como el generador portátil, contiene monóxido de carbono, un gas tóxico que mata en cuestión de minutos. Además de que no se lo puede ver, es inodoro e insípido. Incluso si no huele los gases del escape, puede estar expuesto al monóxido de carbono.

En muchos estados, la ley requiere el uso de alarmas de monóxido de carbono en las casas. Se trata de un dispositivo electrónico que detecta niveles peligrosos de monóxido de carbono. Cuando se produce una acumulación de monóxido de carbono, la alarma avisa a los habitantes con un sonido y una luz indicadora, visible e intermitente. Las alarmas de humo no pueden detectar el monóxido de carbono.

Alarma(s) de monóxido de carbono

Instale alarmas de monóxido de carbono dentro de su casa. Sin alarmas de monóxido de carbono en funcionamiento, no se dará cuenta de que se está intoxicando y muriendo debido a una intoxicación por monóxido de carbono.



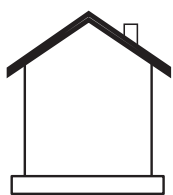
¡PELIGRO! El escape del motor contiene monóxido de carbono, un gas tóxico que puede matar en minutos. NO puede olerlo, verlo ni saborearlo. Incluso si no huele los gases del escape, puede estar expuesto al monóxido de carbono.

- Opere generador portátil únicamente en exteriores y a una distancia de al menos 6.1 m (20 pies) de espacios donde haya personas u objetos, con el escape apuntando en la dirección opuesta para reducir el riesgo de acumulación de monóxido de carbono.
- Instale alarmas de monóxido de carbono con baterías o enchufe (batería de respaldo) siguiendo las instrucciones del fabricante. Las alarmas de humo no pueden detectar el monóxido de carbono.
- No opere generador portátil dentro de hogares, garajes, sótanos, espacios reducidos, cobertizos u otros espacios parcialmente cerrados, incluso si usa ventiladores o deja las puertas y ventanas abiertas. El monóxido de carbono se puede acumular rápidamente en estos espacios y puede permanecer durante horas, incluso después de que se apaga este producto.

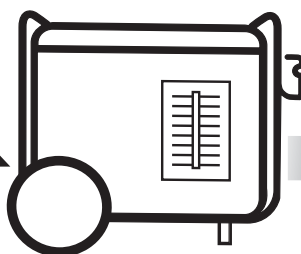
Si comienza a sentirse mal, mareado o débil o si la alarma de monóxido de carbono de su hogar empieza a sonar mientras utiliza el producto, tome aire fresco inmediatamente. Llame a los servicios de emergencia. Puede haberse intoxicado con monóxido de carbono.

Evite la intoxicación por monóxido de carbono (CO)

- Utilice en exteriores al menos 6.1 m (20 pies) de cualquier casa.
- Apunte el escape en la dirección opuesta de las casas y de los espacios donde haya personas u objetos.
- Instale alarmas de CO dentro de su casa.



6.1 m (20 pies) min.



Para obtener más información sobre los riesgos del monóxido de carbono, visite www.takeyourgeneratoroutside.com.

Operación

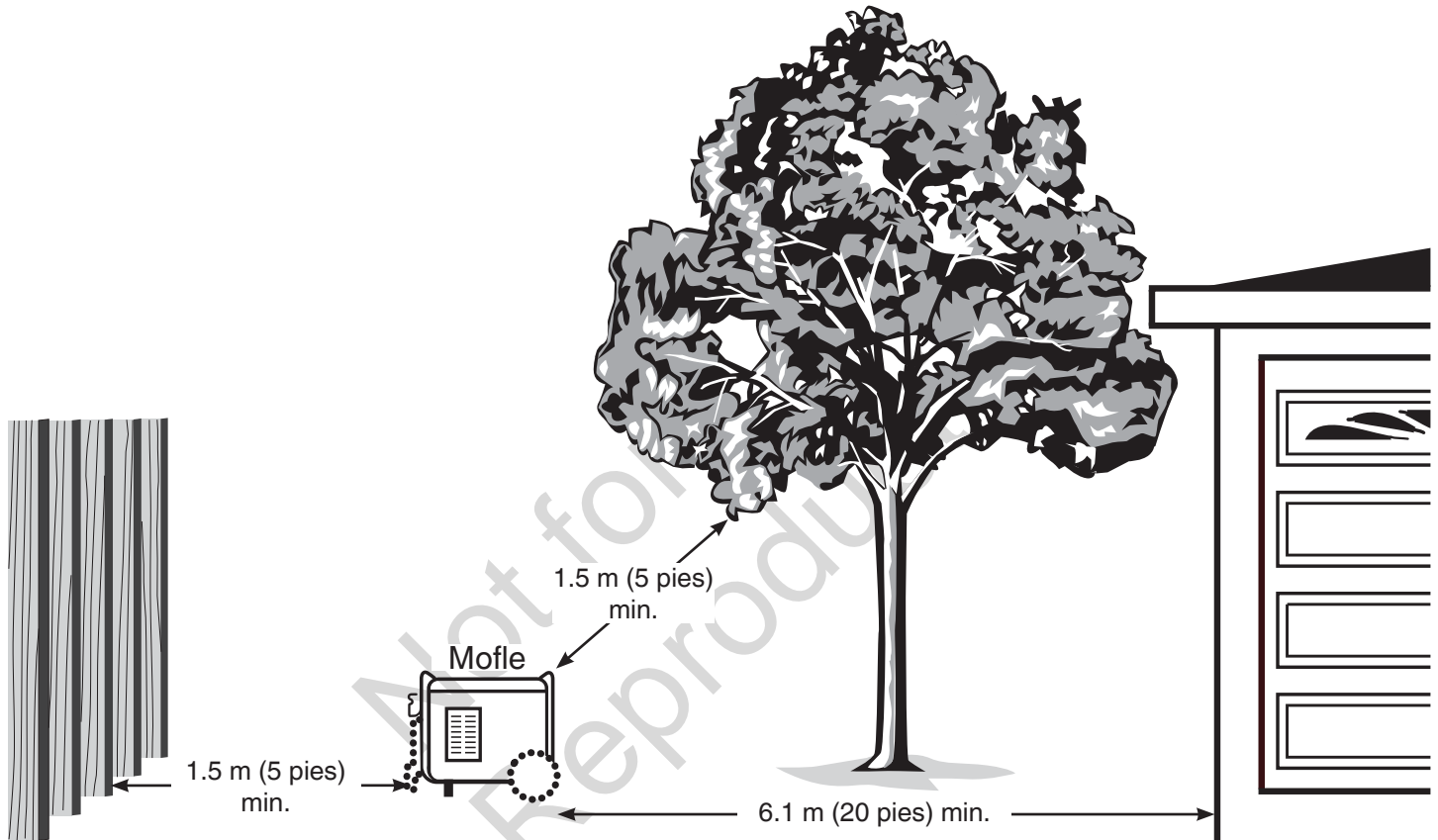
Ubicación de funcionamiento para reducir el riesgo de incendio



¡ADVERTENCIA! Los gases y el calor de escape pueden inflamar los materiales combustibles y las estructuras o dañar el tanque de combustible y provocar un incendio, lo que podría comportar la muerte o lesiones graves.

- El generador portátil debe encontrarse al menos a 1.5 m (5 pies) de cualquier estructura, alero, arbustos, árboles, o vegetación de más de 30.5 cm (12 in) de altura.

- No coloque el generador portátil bajo una cubierta u otro tipo de estructura que pueda limitar el flujo de aire. Se deben instalar y mantener alarma(s) de humo en el interior de acuerdo con las instrucciones y/o recomendaciones del fabricante.
- Las alarmas de monóxido de carbono no pueden detectar el humo.
- No coloque el generador portátil en forma distinta a la que se muestra.



Paso 2: Aceite y combustible

El motor del generador se envía de fábrica lleno de aceite 10W30. De esta manera, el generador funcionará con un amplio rango de temperatura y de condiciones climáticas. Para revisar, agregar o cambiar el aceite consulte la sección *Mantenimiento*

El combustible debe cumplir con estos requisitos:

- Ser un combustible sin plomo, fresco, limpio y con un mínimo de 87 octanos.
- Se acepta gasolina que contenga hasta 10 % de etanol.

E10 **E15**

AVISO No mezcle el aceite con el combustible ni modifique el motor para que opere con combustibles alternos. El uso de combustibles sin aprobación puede dañar el motor y no está cubierto por la garantía.

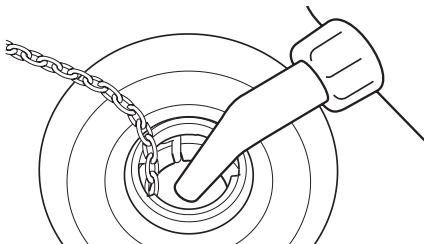
Consulte la sección *Gran altura* en el caso de estar a una altura de 1524 m (5000 pies) o superior.



¡ADVERTENCIA! El combustible y sus vapores son extremadamente inflamables, lo que podría causar quemaduras o incendios que conlleven la muerte o lesiones graves.

- No recargue combustible si el generador está en funcionamiento.
- No fume durante la carga de combustible.
- Apague el motor y déjelo enfriar por al menos 2 minutos antes de retirar la tapa de combustible.
- Llene el tanque de combustible al aire libre. Mantenga el combustible alejado de chispas, llamas abiertas, llamas pilotos, fuentes de calor y otras fuentes de ignición. Compruebe con frecuencia si existen grietas o fugas en las mangueras de combustible, el tanque, la tapa y los accesorios. Cambie si es necesario.

1. Quite lentamente la tapa para eliminar la presión del tanque.
2. Agregue lentamente combustible sin plomo en el tanque de combustible. Tenga cuidado de no añadir combustible por encima de la solapa. Esto permite que quede el espacio adecuado para permitir la expansión del combustible.



3. Instale la tapa del tanque de combustible y espere a que se evapore el combustible que se haya derramado antes de arrancar el motor.

Gran altitud

A altitudes superiores a los 1524 m (5000 pies), es aceptable usar gasolina con un mínimo de 85 octanos. Para permanecer en cumplimiento con el control de emisiones, se requiere el ajuste de alta altitud. El funcionamiento sin este ajuste provocará una disminución en el rendimiento y un aumento en el consumo de combustible y en las emisiones.

Consulte a su distribuidor autorizado de Briggs & Stratton para obtener información sobre el ajuste para gran altitud. No se recomienda operar el motor a altitudes inferiores a 762 m (2500 pies) con el kit para gran altitud.

Transporte

Al transportar equipo con un vehículo o remolque, gire la válvula de cierre de combustible a la posición apagada (0). No incline el motor ni el equipo en un ángulo que provoque un derrame de combustible.

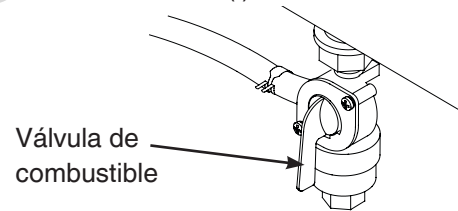
Paso 3: Puesta en marcha del generador

Desconecte todas las cargas eléctricas del generador. Siga las siguientes instrucciones de puesta en marcha:

1. Asegúrese de que la unidad esté al aire libre sobre una superficie nivelada.

AVISO No operar la unidad en una superficie plana puede hacer que la unidad se apague.

2. Coloque la válvula de combustible en la posición de encendido ON (I).

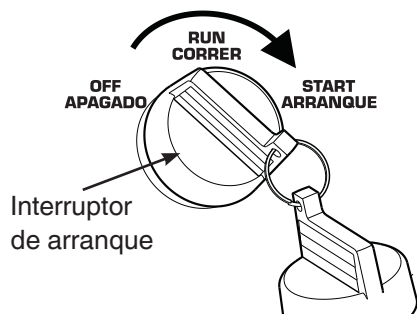


3. Active el control del cebador hasta cebarlo (I|I).



Operación

4. Gire y sostenga la llave en la posición START (ARRANQUE) hasta que arranque el generador. NO mantenga la llave en la posición START por más de 5 segundos. Haga una pausa de por lo menos 30 segundos entre intentos de arrancar.



AVISO Si la batería está descargada, gire la llave en el interruptor de arranque a la posición RUN (CORRER), tome la manija retráctil y hálala lentamente hasta que sienta una ligera resistencia. Luego hale rápidamente una sola vez para arrancar el motor.

5. Ponga en marcha el cebador progresivamente a medida que el motor se calienta y empuja la manija del cebador.

AVISO Si el motor arranca pero no funciona, consulte la sección de apagado por bajo nivel de aceite en *Características y controles*.

Paso 4: Cómo conectar las cargas eléctricas

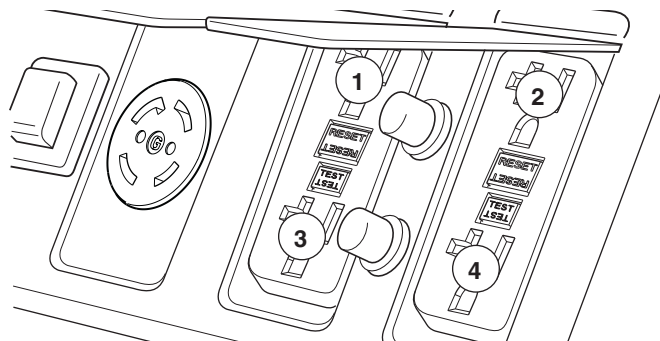
Uso de los cables prolongadores

Solo use cables prolongadores identificados para el uso en exteriores y con la clasificación adecuada para sus cargas. Siga las instrucciones de seguridad de los cables.



¡ADVERTENCIA! Cables prolongadores dañados o sobrecargados pueden recalentarse, formar arco y quemarse dando lugar a riesgos de muerte o lesiones graves.

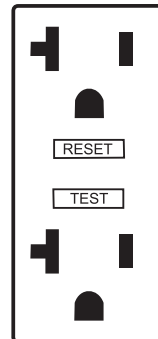
AVISO Para obtener mejores resultados al conectar aparatos en las tomas de 120 voltios, conéctelos de esta forma para que consuman energía de forma secuencial.



AVISO Para verificar la salida del generador requerida consulte la sección *Capacidad del generador*. Conecte las cargas eléctricas en la posición de apagado (OFF) y proceda a encender.

Toma doble GFCI de 120 voltios de CA, 20 A

Use cada toma para operar cargas eléctricas monofásicas de 120 voltios de CA y 60 Hz que requieran hasta 2400 vatios (2,4 kW) con una corriente de 20 A.



Protección contra fallos de la conexión a tierra

Las tomas dobles cuentan con un interruptor de circuito de tierra accidental (Ground Fault Circuit Interrupter, GFCI) para su protección. El GFCI brinda protección contra descargas eléctricas que pueden ocurrir si su cuerpo forma un camino por el que la electricidad puede llegar a tierra.

Es posible sentir una descarga aunque haya un GFCI; sin embargo, el GFCI está diseñado para interrumpir la corriente rápidamente y que una persona no sufra ninguna lesión eléctrica grave.



¡ADVERTENCIA! La tensión del generador podría provocar electrocución o quemaduras que conlleven lesiones graves o la muerte.

Entrar en contacto con el conductor neutro y el conductor con voltaje al mismo tiempo podría provocar una descarga eléctrica o quemaduras, incluso si el circuito cuenta con un GFCI de protección.

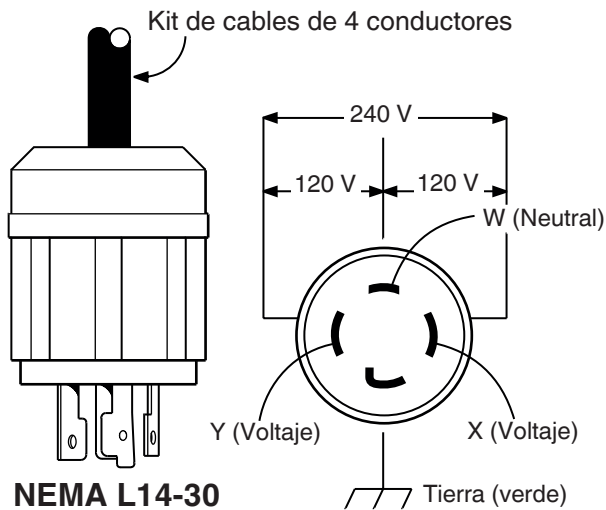
Probar el GFCI

Con el motor en marcha, pruebe la toma GFCI antes de cada uso de la siguiente forma:

- Presione el botón «Test» (prueba). El botón «Reset» (restablecer) debería liberarse, lo que impide que llegue energía a la toma.
- Presione el botón «Reset» hasta que quede bien colocado y no se mueva de esa posición. Si la toma GFCI no se restablece adecuadamente, no use la toma. Llame o lleve su generador a un centro de servicio.
- Si en algún momento el GFCI se libera, restablézcalo y pruebe la toma.

Toma de bloqueo de 120 o 240 voltios de CA, 30 A

Use un enchufe NEMA L14-30 con esta toma. Conecte un cable de 4 conductores con clasificación para cargas de 250 voltios CA y 30 A. *La toma de bloqueo del generador no cuenta con una protección GFCI.*



Este receptáculo suministra energía monofásica de 120/240 voltios de AC y de 60 Hz que requiere hasta 7.200 vatios de energía (7,2 kW) a 30 A para 240 voltios o dos cargas independientes de 120 voltios a 30 A cada una.

Capacidad del generador

Para asegurarse de que el generador puede suministrar una cantidad suficiente de vatios en funcionamiento y de vatios de arranque para los aparatos que desea dotar de corriente al mismo tiempo, siga estas sencillas instrucciones:

1. Seleccione los aparatos que desea dotar de corriente al mismo tiempo. Consulte la siguiente lista para verificar los vatajes comunes.

Herramienta o electrodoméstico	Vatios en funcionamiento*	Vatios de arranque**
Bombilla - 75 vatios	75	-
Bomba de sumidero - 1/3 hp	1140	2850
Refrigerador/Congelador	550	1350
Bomba de pozo de agua - 1/3 hp	575	1440
Aire acondicionado de ventana - 10000 BTU	1000	2100
Ventilador de horno - 1/2 hp	800	2350
Horno microondas - 1000 vatios	1000	-
Televisión plasma - 50 pulg.	500	-
Computadora portátil	250	-
Dispositivo para abrir puertas de garaje - 1/2 hp	300	500

* Los vatajes comunes descritos solo son aproximados. Revise la herramienta o electrodoméstico para el vataje correcto.

** Según Briggs & Stratton 628K, la potencia inicial representa la corriente eléctrica momentánea que el generador puede suministrar a los motores de encendido eléctrico. La potencia inicial no representa la alimentación requerida para suministrar cargas eléctricas continuas. La potencia inicial es la corriente máxima que puede suministrarse momentáneamente al encender un motor, multiplicada por el voltaje nominal del generador.

2. Sume los vatios en funcionamiento. Esta es la cantidad de energía que el generador debe producir para mantener los aparatos funcionando. Vea el siguiente ejemplo:

Ejemplo

Herramienta o electrodoméstico	Vatios de marcha	Vatios de arranque
Aire acondicionado de ventana	1000	2100
Refrigerador	550	1350
Televisión plasma	500	—
Bombilla (75 vatios)	75	—
	2125 vatios totales en funcionamiento	2100 vatios de arranque más altos

Total vatios en funcionamiento = 2125

Vatios de arranque más altos = 2100

Total de los vatios del generador requerido = 4225

3. Calcule la cantidad de vatios de arranque que necesitará. Dado que no todos los motores arrancan al mismo tiempo, el vataje de arranque total puede calcularse sumando solo el aparato con mayor exigencia de vatios de arranque adicionales a los vatios de en funcionamiento totales del paso 2.

Administración de energía

Para administrar la energía del generador, secuencialmente agregue cargas de la siguiente manera:

1. Mientras el generador no está conectado a nada, arranque el motor al aire libre.
2. Conecte la primera carga, preferentemente la carga más grande.
3. Permite que la salida del generador se estabilice (el motor funciona con normalidad y el aparato conectado funciona bien).
4. Conecte y enciende la carga siguiente.
5. Nuevamente, permita que la salida del generador se estabilice.
6. Repita los pasos 4 y 5 para cada carga adicional.

Nunca conecte más cargas que la capacidad del generador. Considere con especial cuidado las cargas de sobretensión en la capacidad del generador.

Operación

CO Guard

Sistema de apagado por monóxido de carbono (CO)

CO Guard apaga automáticamente el motor cuando hay acumulación de niveles peligrosos de monóxido de carbono alrededor del generador o si hay una falla en CO Guard. Después de que se apague el motor, la luz indicadora de CO Guard parpadeará durante cinco minutos, indicada en el cuadro que se muestra más abajo.

CO Guard NO reemplaza a las alarmas de monóxido de carbono. Instale alarmas de monóxido de carbono alimentadas a batería dentro de su casa. No use el generador en áreas cerradas.

Color/Patrón	Descripción
Rojo •• ••	Monóxido de carbono acumulado alrededor del generador. Mueva el generador a una zona abierta, al aire libre, a una distancia de al menos 6,1 m (20 pies) de espacios donde haya personas u objetos y con el escape apuntando en la dirección opuesta. El apagado automático es un indicio de que el generador no está colocado en un lugar adecuado. Si comienza a sentirse mal, mareado o débil o si la alarma de monóxido de carbono de su hogar empieza a sonar mientras utiliza el producto, tome aire fresco inmediatamente. Llame a los servicios de emergencia. Puede haberse intoxicado con monóxido de carbono.
Azul •••	Falla ocurrida en CO Guard.* Consulte a un centro de servicio autorizado de Briggs & Stratton.

*La luz azul parpadeará durante cinco segundos después de que se arranque el generador para indicar que CO Guard funciona correctamente.

Paso 5: Apagado del generador

1. Apague y desenchufe todas las cargas eléctricas de los tomas del panel del generador. Nunca arranque o detenga el motor con dispositivos eléctricos enchufados y encendidos.
2. Permita que el motor funcione sin carga durante varios minutos para que se establezcan las temperaturas internas del motor y el generador.
3. Gire la llave en el interruptor de arranque a la posición OFF (APAGADO).
4. Gire la válvula de combustible a la posición de apagado (0).

Mantenimiento

Plan de mantenimiento

Observe los intervalos de horas o de calendario, los que sucedan primero. Cuando se trabaja en las condiciones adversas, el mantenimiento debe realizarse con mayor frecuencia.

Las primeras 5 horas
<ul style="list-style-type: none"> • Cambie el aceite del motor
Cada 8 horas o a diario
<ul style="list-style-type: none"> • Limpie los desechos
<ul style="list-style-type: none"> • Compruebe el nivel del aceite del motor
Cada 25 horas o anualmente
<ul style="list-style-type: none"> • Limpie el filtro de aire del motor¹
Cada 100 horas o anualmente
<ul style="list-style-type: none"> • Cambie el aceite del motor¹
Anualmente
Reemplace el filtro de aire del motor ¹
<ul style="list-style-type: none"> • Realice el mantenimiento de la válvula de combustible
<ul style="list-style-type: none"> • Realice mantenimiento de la bujía
<ul style="list-style-type: none"> • Inspeccione el silenciador y el supresor de chispas

¹ Realice el mantenimiento con mayor frecuencia en condiciones de polvo o suciedad.

Recomendaciones generales

El mantenimiento periódico mejorará el rendimiento y prolongará la vida útil del generador. Para los mantenimientos, recurra a un distribuidor autorizado.

La garantía del generador no cubre los elementos sujetos a un uso indebido o negligente por parte del operador. Para hacer valer la garantía, el usuario deberá mantener el generador conforme a las instrucciones de este manual.

Todos los ajustes y las reparaciones se deberán realizar al menos una vez por temporada. La instalación de una bujía nueva y la limpieza del filtro de aire garantizan una mezcla de combustible-aire correcta y permiten que el motor funcione mejor y dure más. Siga los requisitos establecidos en el *Plan de mantenimiento*.

Control de emisiones

Cualquier individuo o establecimiento de reparaciones de motores pequeños para aplicaciones fuera de carretera puede realizar el mantenimiento, reemplazo o reparación de los dispositivos o sistemas de control de emisiones. Sin embargo, para que el mantenimiento del control de emisiones sea hecho "sin costo alguno", un distribuidor autorizado por la fábrica debe realizar el trabajo. Consulte la sección *Garantía de emisiones*.

Limpieza

Cada día, o antes de cada uso, examine la parte de alrededor y debajo del generador en busca de signos de pérdida de aceite o combustible. Limpie cualquier residuo acumulado. Mantenga el área alrededor del silenciador libre de cualquier residuo.

- Use un cepillo de cerda suave para eliminar los restos de suciedad o aceite endurecidos.
- Use un paño húmedo para limpiar las superficies exteriores.

AVISO El tratamiento inadecuado del generador podría estropearlo y acortar su vida útil. No exponga el generador a excesos de humedad, polvo, suciedad o vapores corrosivos. No inserte ningún objeto por las ranuras de refrigeración.

Mantenimiento de la válvula de combustible

La válvula de combustible está equipada con una taza de sedimentos de combustible, una pantalla y una junta tórica que necesitan limpieza.

1. Gire la válvula de combustible a la posición OFF (0).
2. Retire la taza de sedimentos de la válvula de combustible. Retire la junta tórica y la pantalla de la válvula de combustible.



3. Limpie la taza de sedimentos, la junta tórica y la pantalla con un disolvente que no sea inflamable. Séquelos por completo.
4. Coloque la pantalla y la junta tórica en la válvula de combustible. Instale la taza de sedimentos y apriétela firmemente.
5. Coloque la válvula de combustible en la posición ON (I) y verifique que no haya goteo. Vuelva a colocar la válvula de combustible si hay goteo.

Mantenimiento de la batería

Además de cargarla, la batería de arranque no requiere ningún otro tipo de mantenimiento. Mantenga la batería y las terminales limpias y secas.

AVISO La carga de la batería sólo debe realizarse en un lugar seco.

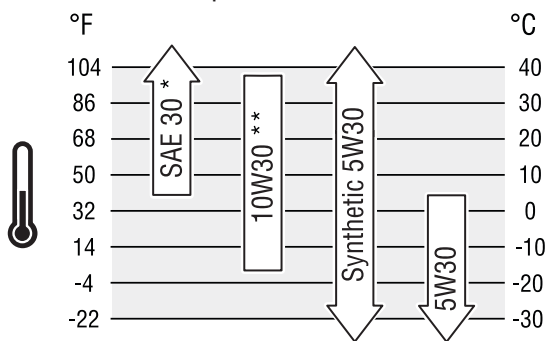
Mantenimiento

Mantenimiento del motor

Recomendaciones para el aceite

Recomendamos el uso de aceites Briggs & Stratton con garantía certificada para un mejor rendimiento. Otros aceites detergentes de alta calidad son aceptables si cuentan con la clasificación de servicio SG, SH, SJ o superior. No use aditivos especiales. Consulte la sección *Piezas de servicio comunes*.

Las temperaturas exteriores determinarán la viscosidad adecuada del aceite para el motor. Use la tabla para seleccionar la mejor viscosidad para el rango de temperatura exterior esperado.



* El uso de SAE 30 a temperaturas inferiores a 4°C (40°F) provocará dificultades de arranque.

** El uso de 10W30 a temperaturas superiores a 27°C (80°F) puede provocar un aumento en el consumo de aceite. Revise el nivel de aceite con más frecuencia.

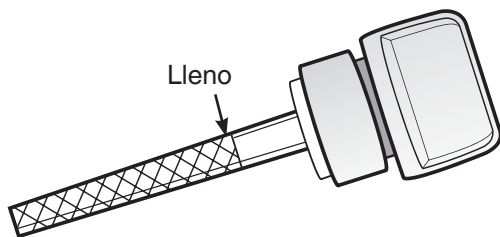
Revisar/agregar aceite de motor

Compruebe el nivel de aceite antes de cada uso o cada 8 horas de funcionamiento, como mínimo. Rellene si es necesario.

1. Asegúrese de que el generador esté sobre una superficie nivelada.
2. Limpie el área alrededor del orificio de llenado de aceite, retire la varilla indicadora de nivel y límpiela con un trapo limpio. Instale nuevamente la varilla del aceite. Sáquela y compruebe el nivel de aceite.

AVISO No atornille la varilla al verificar el nivel de aceite.

3. Verifique que el aceite alcance la marca de FULL (lleno) en la varilla. Vuelva a colocar la varilla y apriétela.



4. De ser necesario, vierta lentamente aceite en el orificio de llenado de aceite hasta la marca de llenado de la varilla. No agregue aceite en exceso.

AVISO El llenado de aceite en exceso podría impedir el arranque del motor o provocar dificultades de arranque.

- No agregue aceite en exceso.
 - Si sobrepasa la marca FULL (LLENO) en la varilla de aceite, drene aceite para reducir el nivel hasta la marca FULL (LLENO) en la varilla.
5. Vuelva a colocar la varilla y apriétela.

AVISO No intente arrancar el motor antes de suministrarle adecuadamente el aceite recomendado. Esto podría provocar una avería en el motor.

⚠ ATENCIÓN Evite el contacto prolongado o repetido de la piel con el aceite usado del motor. Se ha demostrado que el aceite usado de motor produce cáncer de piel en algunos animales de laboratorio. Lave minuciosamente las áreas expuestas con agua y jabón.



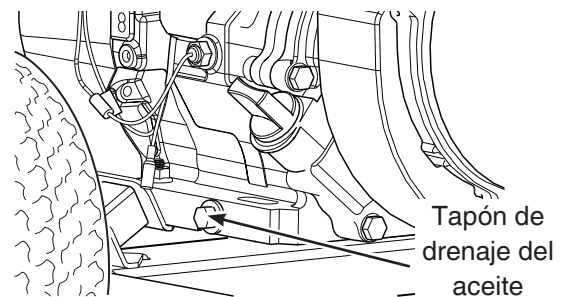
MANTENER FUERA DEL ALCANCE DE LOS NIÑOS. NO CONTAMINE. CONSERVE RECURSOS. DEPOSITE EL ACEITE USADO EN UN PUNTO DE RECOGIDA.

Cómo cambiar el aceite del motor

Si usa el generador en condiciones extremas de suciedad, polvo o calor, cambie el aceite con más frecuencia.

Cambie el aceite con el motor caliente después de haber funcionado de la siguiente manera:

1. Asegúrese de que la unidad esté sobre una superficie nivelada.
2. Retire el tapón de drenaje del aceite y drene el aceite por completo en un contenedor adecuado.



3. Instale de nuevo el tapón de drenaje del aceite y apriete firmemente. Retire la varilla del aceite.
4. Vierta lentamente el aceite recomendado (aproximadamente 1.0 l (36 oz.)) en el orificio de llenado de aceite. Deje de verter aceite por un momento para permitir que el aceite se asiente. Vierta aceite hasta que alcance la marca FULL (lleno) en la varilla.
5. Limpie la varilla del aceite cada vez que verifique el nivel de aceite. No agregue aceite en exceso.
6. Instale de nuevo la varilla del aceite. Apriete el tapón firmemente.
7. Limpie el aceite que se haya derramado.

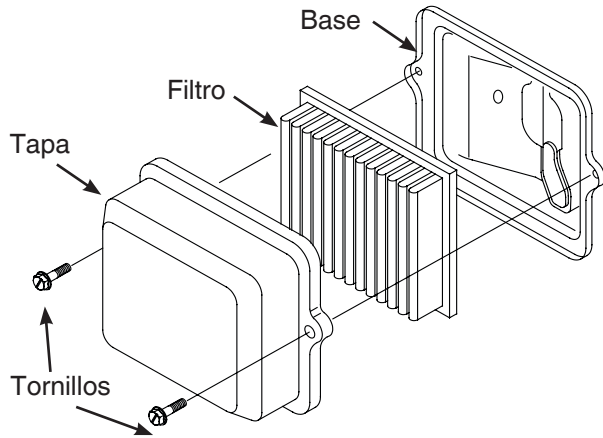
Mantenimiento del filtro de aire



¡ADVERTENCIA! El combustible y sus vapores son extremadamente inflamables, lo que podría causar quemaduras o incendios que conlleven la muerte o lesiones graves.

• Nunca encienda o haga funcionar el motor sin el filtro de aire. Si el filtro de aire está sucio, el motor no funcionará correctamente y es posible que se dañe. Límpielo o reemplácelo con mayor frecuencia si trabaja en condiciones con mucho polvo o suciedad.

1. Afloje los tornillos y remueva la tapa del filtro de aire.



2. Retire cuidadosamente el cartucho del filtro de la base.
3. Vuelva a instalar el conjunto del filtro de aire limpio (o uno nuevo) en la base. Deseche el filtro viejo adecuadamente.

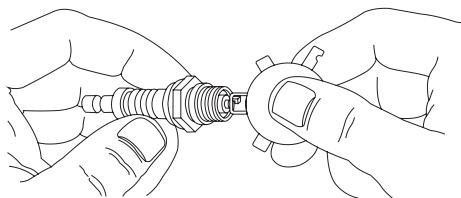
AVISO Si el filtro está excesivamente sucio, cámbielo por uno nuevo. Consulte la sección *Piezas de servicio comunes*.

4. Instale el conjunto del filtro de aire y la tapa sobre la base y apriete los tornillos.

Realizar el mantenimiento de la bujía

Cambiar la bujía hará que el motor arranque más fácilmente y funcione mejor.

1. Limpie el área alrededor de la bujía.
2. Retire e inspeccione la bujía.
3. Cambie la bujía si los electrodos están picados o quemados, o si la porcelana está agrietada. Utilice la bujía de repuesto recomendada. Consulte la sección *Piezas de servicio comunes*.
4. Revise la separación de los electrodos con un calibrador de separaciones y, de ser necesario, restablezca la separación de la bujía conforme a la separación recomendada (consulte *Especificaciones*).



5. Instale la bujía y apriete firmemente.

Inspeccione el silenciador y el supresor de chispas

El silenciador de las descargas de escape del motor posee una pantalla que detiene las chispas. Inspeccione el silenciador en busca de grietas, corrosión u otros daños. Inspeccione la pantalla que detiene las chispas para detectar daños u obstrucciones por carbón. Límpiela si encuentra una obstrucción por carbón o cámbiela si está dañada. Si se requieren repuestos, asegúrese de usar solamente repuestos del equipo original.

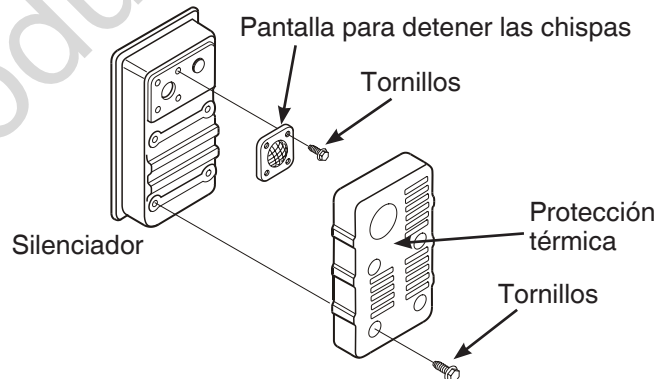


¡ADVERTENCIA! El contacto con el área del silenciador podría provocar quemaduras y causar lesiones graves.

- Antes de realizar el mantenimiento, deje que el equipo se enfríe.
- Operar el motor en un área boscosa, de matorrales o pastosa es una violación de la Sección 4442 del Código de recursos públicos de California, a menos que el sistema de escape esté equipado con un extintor de chispas, como se establece en la Sección 4442, que funcione de forma eficiente. Otras jurisdicciones federales o estatales pueden tener leyes similares, para más información consulte la Parte 261.52 de la Regulación federal 36 del Código de regulaciones federales (Code of Federal Regulations, CFR).

Limpie o reemplace el supresor de chispas del siguiente modo:

1. Retire los cuatro tornillos que conectan la protección térmica al silenciador.



2. Retire los cuatro tornillos que sujetan la pantalla que detiene las chispas.
3. Obtenga una pantalla de reemplazo. Consulte la sección *Piezas de servicio comunes*.
4. Vuelva a atornillar la pantalla de protección y el silenciador.

Piezas de servicio comunes

Filtro de aire	491588 o 5043
Bujía	491055
Botella de aceite de motor	100005 o 100028
Botella de aceite sintético	100074

Contacte un distribuidor de servicio autorizado o visite BRIGGSandSTRATTON.COM para consultar una lista completa de piezas y diagramas.

Almacenamiento

Si no usará el generador durante más de 30 días, considere las siguientes pautas de almacenamiento.

Instrucciones de almacenamiento a largo plazo

1. Limpie el generador como se indica en *Limpieza*.
2. Cambie el aceite del motor con el motor aún caliente y drene el aceite desde el cárter. Vuelva a llenar con un aceite de grado recomendado. Consulte la sección *Cómo cambiar el aceite del motor*.
3. Hágale un tratamiento al combustible del generador o cámbielo, ya que el combustible puede dañarse si se almacena durante más de 30 días.

El combustible en mal estado provoca la formación de depósitos de ácido y de goma en el sistema de combustible o en piezas esenciales del carburador. Para mantener el combustible fresco, use el estabilizador de combustible.

No es necesario vaciar la gasolina del motor si se añade estabilizador de combustible conforme a las instrucciones. Haga funcionar el motor durante 2 minutos para que el estabilizador circule por todo el circuito de combustible antes del almacenamiento.

Si no se ha agregado un estabilizador de combustible a la gasolina en el motor, deberá vaciarla completamente en un recipiente aprobado. Haga funcionar el motor hasta que se detenga por falta de combustible. Se recomienda usar un estabilizador de combustible en el recipiente de almacenamiento para mantener el combustible en perfecto estado.



¡ADVERTENCIA! El combustible y sus vapores son extremadamente inflamables y explosivos, lo que podría causar quemaduras, incendios o explosiones que conlleven la muerte o lesiones graves.

- Cuando almacene combustible o un equipo con el tanque lleno de gasolina, manténgalo alejado de calderas, estufas, calentadores de agua, secadoras de ropa u otros aparatos que usen llama piloto u otras fuentes de encendido que podrían generar combustión con los vapores del combustible.
 - Detenga el motor del generador y déjelo enfriar durante al menos 2 minutos antes de quitar la tapa de llenado de combustible. Afloje la tapa lentamente para liberar la presión del tanque. Vacíe el tanque de combustible al aire libre. Mantenga el combustible alejado de chispas, llamas abiertas, llamas piloto, calor y otras fuentes de combustión.
 - Compruebe con frecuencia si existen grietas o fugas en las mangueras de combustible, el tanque, la tapa y los accesorios. Reemplace las piezas, si es necesario.
4. Almacene el generador en un área limpia y seca, y cubra la unidad con una funda adecuada que no retenga la humedad.



¡ADVERTENCIA! Las fundas para almacenamiento pueden causar un incendio que conlleve la muerte o lesiones graves.

- No cubra un generador caliente con una funda para almacenamiento. Deje enfriar el equipo durante el tiempo necesario antes de cubrirlo.

Declaración de cumplimiento de la FCC

Parte 15 de la Comisión Federal de Comunicaciones (Federal Communications Commission, FCC) - Información para el usuario

Según lo dispuesto en la parte 15.21 del Reglamento de la FCC, se advierte que las alteraciones o las modificaciones en el transmisor no expresamente aprobadas por Briggs & Stratton podrían anular su autorización para utilizar el generador portátil.

Este dispositivo cumple con lo dispuesto en la parte 15 del Reglamento de la FCC. El funcionamiento está sujeto a las condiciones mencionadas a continuación: (1) Este dispositivo no puede causar interferencias perjudiciales, y (2) este dispositivo debe asumir la recepción de interferencias, incluidas las que pueden causar efectos indeseados.

Este equipo ha sido probado y cumple los límites para dispositivos digitales de Clase B según la parte 15 del Reglamento de la FCC. Estos límites han sido diseñados para ofrecer protección razonable contra interferencias en una instalación residencial. Este equipo genera, utiliza y puede irradiar energía de radiofrecuencia y, si no se instala y se utiliza de acuerdo con las instrucciones, puede causar interferencias dañinas a las radiocomunicaciones. Sin embargo, no se puede garantizar que dicha interferencia no ocurra en una instalación determinada. Si este equipo ocasiona interferencias perjudiciales en la recepción de radio o televisión, lo que puede comprobarse apagando y encendiendo el equipo, el usuario está obligado a intentar corregir las interferencias tomando una o varias de las siguientes medidas:

- Cambie la orientación o la posición de la antena receptora.
- Separe más el equipo de la unidad receptora.
- Conecte el equipo a una toma ubicada en un circuito distinto al de la unidad receptora.
- Consulte a un técnico especializado en radio y televisión en caso de necesitar ayuda.

Solución de problemas/Especificaciones

Problema	Causa	Solución
El motor funciona, pero la salida de CA no está disponible.	<ol style="list-style-type: none"> 1. Uno de los disyuntores está abierto. 2. Mala conexión o conjunto de cables defectuosos. 3. El dispositivo conectado es deficiente. 	<ol style="list-style-type: none"> 1. Restablezca el disyuntor. 2. Revise y repare. 3. Conecte otro dispositivo en buenas condiciones.
El motor funciona bien sin carga, pero se atasca cuando se conectan las cargas.	<ol style="list-style-type: none"> 1. El generador está sobrecargado. 	<ol style="list-style-type: none"> 1. Consulte la sección <i>Capacidad del generador</i>.
El motor no arranca; arranca y funciona en forma forzada o se apaga cuando está en funcionamiento.	<ol style="list-style-type: none"> 1. El interruptor del motor está en la posición de apagado OFF (0). 2. La válvula de combustible está en la posición de apagado OFF (0). 3. Bajo nivel de aceite. 4. El filtro de aire está sucio. 5. Sin combustible. 6. El cable de la bujía no está conectado a la bujía. 7. Ahogado con combustible 	<ol style="list-style-type: none"> 1. Coloque el interruptor del motor en la posición de encendido ON (I). 2. Coloque la válvula de combustible en la posición de encendido ON (I). 3. Llene el cárter hasta el nivel adecuado o coloque el generador sobre una superficie plana. 4. Limpie o reemplace el filtro de aire. 5. Llene el tanque de combustible. 6. Conecte el cable a la bujía. 7. Espere 5 minutos y vuelva a arrancar el motor.
El motor se apaga y la luz roja de CO Guard parpadea (** **).	<ol style="list-style-type: none"> 1. El generador no está colocado en un lugar adecuado. 	<ol style="list-style-type: none"> 1. Mueva el generador a una zona abierta, exterior. Consulte la sección <i>Sistema de apagado por monóxido de carbono (CO) CO Guard</i>.

Para cualquier otro problema, consulte a un distribuidor autorizado de Briggs & Stratton.

Especificaciones

Vatios en funcionamiento*	8000
Vatios de arranque**	10000
Corriente CA a 240 voltios	33.3 A
Corriente CA a 120 voltios	66.6 A
Frecuencia	60 Hz a 3600 rpm
Fase	Monofásico
Desplazamiento	420 cc (25.63 cu. in.)
Separación de la bujía	0.76 mm (0.030 in.)
Capacidad de combustible	28.4 litros (7.5 galones estadounidenses)
Capacidad de aceite	1.0 litros (36 onzas)

Potencia nominal: La clasificación de potencia bruta para modelos de motor de gasolina individual está etiquetada de acuerdo con el código J1940 (Small Engine Power & Torque Rating Procedure) de la SAE (Society of Automotive Engineers), y está clasificada de conformidad con el código SAE J1349. Los valores de potencia neta se obtienen a 3600 RPM y se toman con un filtro de aire y escape instalados. Dada la amplia gama de productos donde se instalan los motores, el motor de gasolina puede no desarrollar la potencia bruta nominal cuando se utiliza en un equipo motorizado determinado. Esta diferencia se debe, entre otros, a los siguientes factores: la variedad de limitaciones de la aplicación, condiciones ambientales de uso (temperatura, humedad, altitud) y variaciones entre distintos motores de un mismo modelo. A causa de las limitaciones de fabricación y de capacidad, Briggs & Stratton podrá sustituir este motor por un motor con mayor clasificación de potencia.

* Generador según la norma ANSI/PGMA G300-2018 de la PGMA, Seguridad y Desempeño de Generadores Portátiles.

** Según Briggs & Stratton 628K

NORMAS DE GARANTÍA DE PRODUCTOS BRIGGS & STRATTON

GARANTÍA LIMITADA

Briggs & Stratton se compromete a que, durante el periodo de garantía especificado a continuación, reparará o sustituirá, de manera gratuita, cualquier pieza con defectos de material o fabricación, o de ambos. El comprador deberá correr con los gastos de transporte del producto que envíe para reparación o reemplazo al amparo de esta garantía. Esta garantía tiene vigencia y está sujeta a las condiciones que se establecen más adelante. Para el servicio de garantía, busque el distribuidor de servicio autorizado más cercano en el mapa localizador de distribuidores en BRIGGSandSTRATTON.COM. El comprador debe ponerse en contacto con el distribuidor autorizado y poner el producto a disposición del mismo para que lo inspeccione y lo pruebe.

No existe otra garantía expresa. Las garantías implícitas, inclusive aquellas de comerciabilidad y de idoneidad para un propósito en particular, se limitan al periodo de garantía expresado abajo, o hasta los límites permitidos por la ley. La responsabilidad por daños fortuitos o indirectos está excluida en tanto lo permita la ley. Algunos países o estados no permiten limitar la duración de una garantía implícita ni excluir o limitar los daños secundarios y derivados. Por tanto, es posible que las limitaciones y exclusiones mencionadas no sean aplicables en su caso. Esta garantía le otorga derechos legales específicos, y también podría tener otros que varían según el estado o el país.**

PERÍODO DE GARANTÍA

Artículo	Uso particular	Uso comercial
Equipo	36 meses	12 meses
Motor*	24 meses	12 meses
Batería (si está instalada)	3 meses	Ninguno

* Se aplica únicamente a los motores Briggs & Stratton. La cobertura de la garantía de los motores que no sean Briggs & Stratton es proporcionada por el fabricante del motor. La declaración de garantía de emisiones cubre los comentarios relacionados con las emisiones.

** En Australia, nuestros productos están cubiertos por garantías ineludibles de acuerdo con la legislación sobre consumo de este país. Tiene derecho a un recambio o devolución en caso de avería grave y a una compensación por las posibles pérdidas o daños razonables previsibles. Asimismo, si la avería no es grave, tiene derecho a que se reparen o reemplacen los productos si no tienen una calidad aceptable. Para servicio de garantía, localice al distribuidor de servicio autorizado más cercano con nuestro mapa en BRIGGSandSTRATTON.COM, llame al 1300 274 447, o bien, envíe un correo electrónico a salesenquires@briggsandstratton.com.au, o escriba a Briggs & Stratton Australia Pty Ltd, 1 Moorebank Avenue, NSW, Australia, 2170.

El periodo de garantía comienza en la fecha de compra del primer consumidor o usuario comercial final. «Uso particular» significa uso doméstico residencial personal por un consumidor minorista. «Uso comercial» significa los demás usos, lo que incluye el uso para propósitos comerciales, generar ingresos o alquiler. Una vez que el producto se haya usado para fines comerciales, de ahí en adelante se considerará uso comercial a efectos de esta garantía.

A fin de garantizar una pronta y completa cobertura de la garantía, registre su producto en el sitio web que se muestra arriba o en www.onlineproductregistration.com. Guarde el recibo comprobante de compra. Si no se proporciona una prueba de la fecha de compra inicial en el momento de solicitar servicio de garantía, se utilizará la fecha de fabricación del producto para determinar el periodo de garantía. No es necesario el registro del producto para obtener el servicio de garantía de los productos Briggs & Stratton.

ACERCA DE LA GARANTÍA

El servicio de garantía solo está disponible a través de los distribuidores de servicio autorizados de Briggs & Stratton. La mayor parte de las reparaciones bajo garantía se atienden de manera rutinaria, pero algunas veces las solicitudes de reparaciones bajo garantía podrían no ser apropiadas. Esta garantía SÓLO cubre defectos en materiales y mano de obra. No cubre los daños ocasionados por un uso incorrecto o un mal uso, un mantenimiento o unas reparaciones inadecuadas, el desgaste y la rotura propios del uso, o bien el uso de un combustible en mal estado o no aprobado.

Uso no adecuado y mal uso: el uso correcto y para el que se ha diseñado este equipo se describe en el manual del usuario. Si el producto no se usa de la manera que se describe en el manual del usuario o si el producto se usa después de que haya resultado dañado, quedará anulada la garantía. La garantía queda anulada si se ha borrado el número de serie del producto o el producto ha sido modificado de alguna manera, o si el producto presenta indicios de haber sido usado incorrectamente, por ejemplo, daños producidos por un impacto o daños producidos por corrosión química/agua.

Mantenimiento o reparaciones inadecuadas: el producto debe someterse a labores de mantenimiento de acuerdo con los procedimientos y plazos establecidos en el manual del usuario, y para el mantenimiento y las reparaciones se deben utilizar piezas Briggs & Stratton originales o equivalentes. La garantía no cubre los daños ocasionados por la falta de mantenimiento o el uso de piezas no originales.

Desgaste normal: al igual que otros dispositivos mecánicos, el producto está sujeto a desgaste incluso si se realiza un mantenimiento correcto. Esta garantía no cubrirá la reparación cuando el uso normal haya agotado la vida útil de una pieza o del aparato. Los accesorios y elementos de mantenimiento como filtros, correas, hojas cortantes y pastillas de freno (excepto las pastillas de freno de los motores) no están cubiertos por la garantía por sus propias características, a no ser que la causa sea un defecto del material o de fabricación.

Combustible en mal estado o no aprobado: para que este producto funcione correctamente, se necesita combustible fresco que cumpla los criterios especificados en el manual del usuario. Los daños al motor o al equipo causados por combustible en mal estado o por el uso de combustibles (como, por ejemplo, las mezclas de etanol E15 o E85) no están cubiertos por la garantía.

Otras exclusiones: esta garantía excluye cualquier daño provocado por accidente, uso incorrecto, modificaciones, alteraciones, mantenimiento incorrecto, congelación o deterioro producido por productos químicos. También excluye cualquier complemento o accesorio que no se incluyera en el paquete original del producto. No existe ninguna cobertura de garantía para equipos que se usen para generar energía principal en lugar de energía de uso ni para equipos que se usen en aplicaciones de soporte vital. Esta garantía no incluye equipos o motores usados, reacondicionados, de segunda mano o de demostración. Esta garantía excluye los fallos debidos a hechos fortuitos y a otros acontecimientos de fuerza mayor que escapen al control del fabricante.