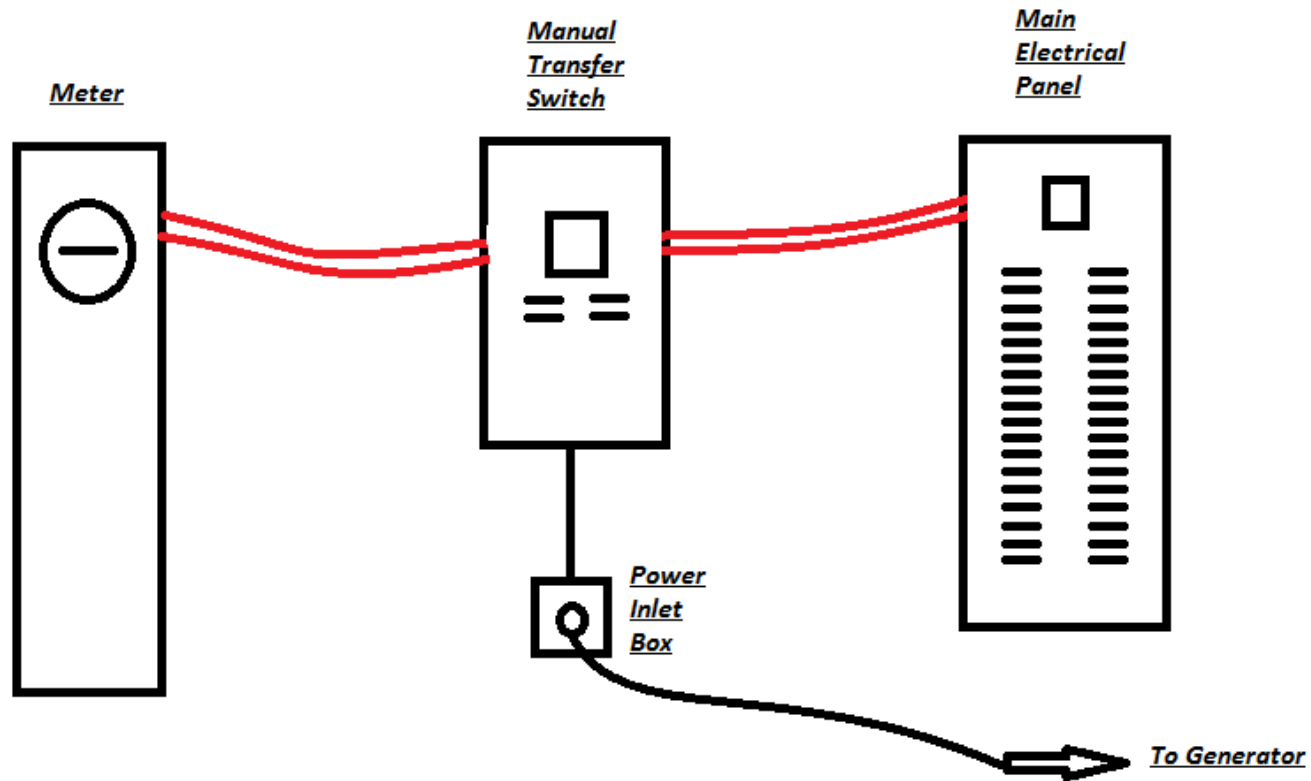


Typical generator connection with manual transfer switch allowing generator to power entire main electrical panel giving you the option to manage the needed circuits without overloading the generator.



Note: Equipment should be installed by a certified electrician to meet all local codes.