



---

---

---

***POW'R Lite Kit for  
Towable Generators***

***TS25 through TS80***

**Installation & Operating Manual**

Any trademarks used in this manual are the property of their respective owners.

**WARNING:**

**CALIFORNIA PROPOSITION 65 WARNING:**

**Engine exhaust from this product contains chemicals known to the state of California to cause cancer, birth defects and other reproductive harm.**

**WARNING:**

**CALIFORNIA PROPOSITION 65 WARNING:**

**Battery posts, terminals and related accessories are known to the state of California to cause cancer, birth defects and other reproductive harm.**

# Table of Contents

---

<b>Section 1</b>	
<b>Product Safety Information</b> .....	1-1
<b>Section 2</b>	
<b>General Information</b> .....	2-1
Limited Warranty .....	2-1
<b>Section 3</b>	
<b>Receiving &amp; Installation</b> .....	3-1
Receiving & Inspection .....	3-1
Installation of Optional POW'R LITE Kit .....	3-1
Installation of TS80 Electric Winch .....	3-6
<b>Section 4</b>	
<b>Operation</b> .....	4-1
Light Tower Setup .....	4-1
Flood Light Operation .....	4-2
<b>Section 5</b>	
<b>Troubleshooting and Maintenance</b> .....	5-1
Flood Light Bulb Replacement .....	5-1
Periodic Inspections .....	5-1
Connection Diagram .....	5-2



# Section 1

## Product Safety Information

---

This kit can be installed on several models of the Baldor Towable Generators. This manual contains Installation and Operation instructions for the POW'R LITE Kit and components only. Please refer to the manual for the generator for operation and maintenance instructions for the generator portion of the product.

### **Responsibility**

When your generator is delivered, it becomes the responsibility of the owner/operator of the generator set to prevent unsafe conditions and operation of the equipment. Some responsibilities include (but are not limited to) the following:

1. It is the responsibility of the owner/operator of this generator to ensure that this equipment is correctly and safely installed.
2. It is the responsibility of the owner/operator of this generator to ensure that this equipment, when installed fully complies with all federal, state and local codes.
3. It is the responsibility of the owner/operator of this generator to ensure that any person operating this equipment has been properly trained.
4. It is the responsibility of the owner/operator of this generator to ensure that any person operating this equipment has access to all manuals and information required for the safe use and operation of this equipment.
5. It is the responsibility of the owner/operator of this generator to ensure that it is properly maintained and safety inspected at regular scheduled intervals.
6. It is the responsibility of the owner/operator of this generator to ensure that any person who has not been trained on the safe use of this equipment does not have access to this equipment.

### **Read This Manual Thoroughly**

If you do not understand any concept, any procedure, any safety warning statement, any safety caution statement or any portion of this manual, seek expert advise. Make sure you understand the information in this manual so that you can safely enjoy the full use of this generator.

### **Symbols**



This symbol is shown throughout the manual to indicate a connection to ground reference point.



Indicates a potentially hazardous situation which, if not avoided, could result in injury or death.



Indicates a potentially hazardous situation which, if not avoided, could result in injury or death.

**WARNING:** When erecting or stowing the mast assembly, be aware of the pinch points such as where the tower structures join or where the cable and winch are located. Careless operation can result in injury. Keep extremities away from moving parts to avoid injury.

**WARNING:** Before erecting the mast assembly, be certain that the outriggers are properly set to stabilize the light tower and that they are secure and are not damaged. Erecting the mast without setting the outriggers can cause the light tower to tip over when raising the mast.

**WARNING:** Before erecting the mast assembly, be certain that there are no overhead wires. Contact with overhead wiring presents an electrical shock hazard that may cause severe injury or death.

**WARNING:** Before erecting the mast assembly, be certain that there are no overhead obstructions that the mast will hit when raising it. Hitting an object (tree limb etc.) may damage the mast or cause the light tower to tip over and may result in injury or property damage.

**WARNING:** The mast assembly must remain in the stowed position until the outriggers are properly set to stabilize the trailer. Erecting the mast without setting the outriggers can cause the light tower set to tip over when raising the mast.

- 
- WARNING:** Never attempt to move the POW'R LITE when the mast is in the vertical position. All Outrigger and trailer jacks must remain in position and the trailer level until the mast is in its stowed position. Failure to follow this warning may result in severe injury and property damage if the trailer tips over.
- WARNING:** Never move or reposition a light tower when the mast is extended or in the vertical position. Unless the mast is in its stowed position, it may contact overhead wires or cause the light tower to be unbalanced or tip over.
- WARNING:** Always wear safety glasses with side shields and hearing protection when working near the light tower.
- WARNING:** Some parts of this light tower rotate during operation. Rotating parts can present extreme danger if clothing or body extremities are caught by the rotating part and can cause serious or fatal injury. Never touch a part of the light tower until the engine has been stopped and all rotating parts are completely stopped. Also, disconnect the battery terminals to prevent accidental engine rotation during servicing.
- WARNING:** Be sure that you understand how to stop the engine quickly in case of an emergency situation. Become familiar with the controls and safety systems provided with this light tower.
- WARNING:** Never allow children or pets to be in the area where the light tower is running. The light tower and the equipment being powered by the light tower may cause injury or death.
- WARNING:** Never operate the light tower indoors or in a poorly ventilated area such as a tunnel or cave. Exhaust fumes are extremely dangerous to all personnel that are in or in contact with that area.
- WARNING:** When operating this light tower remain alert at all times. Never operate machinery when physically or mentally fatigued, or while under the influence of alcohol, drugs or medication.
- WARNING:** Operate the light tower only on a level surface. If the light tower is tilted during operation, fuel spillage may result. Gasoline and diesel fuel are flammable and can cause fire, explosions, injury or death.
- WARNING:** Keep light tower at least three feet away from buildings and other structures.
- WARNING:** Keep light tower away from flammable or hazardous materials (trash, rags, lubricants, explosives, paints etc.) and grass or leaf build up.
- WARNING:** Keep a fire extinguisher near the light tower during use. An extinguisher rated "ABC" by the National Fire Protection Association is appropriate.

#### **Burn Statements**

- WARNING:** Light fixtures become extremely hot during use. To prevent severe burns, do not touch light fixtures, bulbs or other components until they have cooled and no longer present a burn hazard. Wear protective clothing when placing the tower in the stowed position after use and do not allow any person to touch the light fixtures.
- WARNING:** Parts of this light tower are extremely hot during and after operation. To prevent severe burns, do not touch any part until you have first determined if the part is hot. Wear protective clothing and after use allow sufficient time for parts to cool before touching.
- WARNING:** Disconnect all electrical wires and load devices from light tower power outlets before servicing the light tower. Electrical shock can cause serious or fatal injury. Always treat electrical circuits as if they are energized.

#### **Caution Statements**

- Caution:** Never start the engine with any of the lights on, or with any electrical load connected, as damage to the light tower may result.
- Caution:** Never stop the engine with any of the lights on, or with any electrical load connected, as damage to the light tower may result.
- Caution:** Careless handling or storage of the light fixtures can damage the fixtures, lenses, and/or bulbs.
- Caution:** Before towing, be sure that the jack and outriggers are properly and securely stowed for travel to prevent trailer damage.

## Section 2 General Information

Thank you for purchasing your POW'R LITE Kit. This manual contains information you need to safely and efficiently install and operate your POW'R LITE Kit option. During the preparation of this manual every effort was made to ensure the accuracy of its contents. A separate owner's manual for the generator is supplied with the generator for your use. Please refer to that manual for information relative to engine operation, maintenance, recommendations and additional safety warnings.

Copyright Baldor © 2009. All rights reserved.

This manual is copyrighted and all rights are reserved. This document may not, in whole or in part, be copied or reproduced in any form without the prior written consent of Baldor Electric Company, Inc.

Baldor Generators have earned the reputation of being high quality and dependable. We take pride in this fact and continue to keep our quality standards high on our list of priorities. We are also constantly researching new technological ideas to determine if they could be used to make our generator sets even better.

Baldor makes no representations or warranties with respect to the contents hereof and specifically disclaims any implied warranties of fitness for any particular purpose. The information in this document is subject to change without notice. Baldor assumes no responsibility for any errors that may appear in this document.

### Limited Warranty

Baldor will replace or repair free of charge any part or parts of the generator of their manufacture that are defective in workmanship and materials for a period of time as set forth in the Warranty Period chart below. All Baldor products requiring warranty service shall be transported or shipped freight pre-paid to a Baldor Generator repair facility. Notification of the defect or problem, a description of the manner in which the Baldor generator is used, and the name, address and telephone number of the customer requiring warranty service must be included. Baldor is not responsible for removal and shipment of the Baldor product to the service center or for the reinstallation of the Baldor product upon its return to the customer, or any incidental or consequential damages resulting from the defect, removal, reinstallation, shipment or otherwise. Problems with Baldor products can be due to improper maintenance, faulty installation, non-Baldor additions or modifications, or other problems not due to defects in Baldor workmanship or materials. If a Baldor Generator repair facility determines that the problem with a Baldor product is not due to defects in Baldor workmanship or materials, then the customer will be responsible for the cost of any necessary repairs. Genset engines are covered under the engine manufacturers warranty. Proper engine maintenance is required. Any request for engine warranty or repair should be made directly with the engine manufacturers warranty center. See engine manufacturers data for applicable engine warranty periods and location of repair centers. This Limited Warranty and Service Policy represents Baldor's sole and exclusive warranty obligation with respect to Baldor products. Baldor's liability to a customer or any other person shall not exceed Baldor's sales price of the applicable Baldor product. **BALDOR DISCLAIMS ALL OTHER EXPRESSED AND IMPLIED WARRANTIES INCLUDING THE IMPLIED WARRANTIES OF FITNESS FOR A PARTICULAR PURPOSE AND MERCHANTABILITY.**

**Warranty Period**

<b>Generator Series</b>	<b>Labor*</b>	<b>Parts</b>
Portable Products (Premier, Powerchief, DG Series)	1 Year	3 Years
Towable Products (TS)	1 Year or 3,000 Hours	3 Years or 3,000 Hours
POW'R LITE Light Towers	1 Year or 3,000 Hours	3 Years or 3,000 Hours Light Fixture, Lamps and Ballasts are excluded from any warranty coverage
3600 RPM Standby Systems (Some AE Models)	1 Year or 1,000 Hours	3 Years or 1,000 Hours
1800 RPM Standby Systems (Some AE Models, DLC, GLC)	1 Year or 3,000 Hours	3 Years or 3,000 Hours
Industrial Standby Systems	1 Year or 1,000 Hours	2 Years or 1,000 Hours
Industrial Prime Power Systems	1 Year or 1,000 Hours	1 Year or 1,000 Hours
International	1 Year or 1,000 Hours	1 Year or 1,000 Hours

\* For products covered under labor coverage, travel expenses will be allowed up to 7 hours straight labor or 300 miles, whichever occurs first, and only applies to permanently wired and mounted products (AE, DLC, GLC, IDLC). You must save the purchase receipt. Proof of purchase, date, serial number and model number will be required for all portable and Towable products to qualify for any warranty consideration. A start-up inspection form/warranty registration must be completed in its entirety and submitted to Baldor Generators within 30 days of start-up to qualify for any warranty consideration, excluding: Portables, Towables and Light Towers.





## Section 3 Receiving & Installation

**Receiving & Inspection** When you receive your generator, there are several things you should do immediately.

1. Observe the condition of the shipping container and report any damage immediately to the commercial carrier that delivered your system.
2. Verify that the part number of the system you received is the same as the part number listed on your purchase order.
3. If the system is to be stored for several weeks before use, be sure that it is stored in a location that conforms to published storage temperature and humidity specifications.

**WARNING: Never stand under or close to an object that is being hoisted or lift into position. Accidents happen and if the object falls or tips over you or someone else could be crushed by the weight of the object causing severe injury or death to to yourself or others. Always remain a safe distance from the object and always wear protective head gear (hard hat).**

Figure 3-1 and Table 3-1 show the overall dimensions of the POW'R LITE kit. Refer to the towable generator manual for the dimensions of the towable generator, MN2417.

**Figure 3-1 Overall Dimensions**

**Light Mast Kits:**

TSLM35T - fits TS25/35 Towable Generators

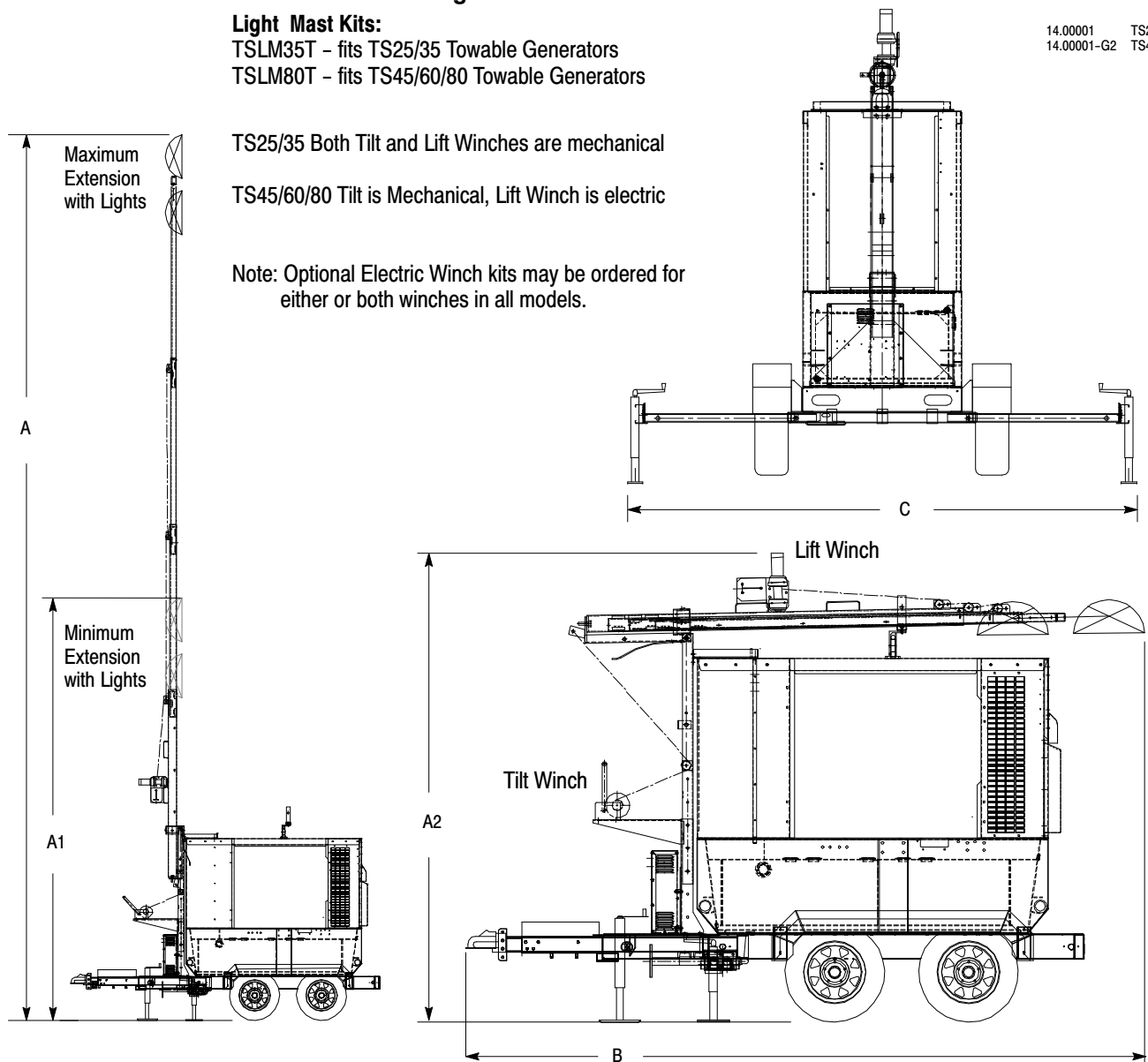
TSLM80T - fits TS45/60/80 Towable Generators

14.00001 TS25/35  
14.00001-G2 TS45/60/80

TS25/35 Both Tilt and Lift Winches are mechanical

TS45/60/80 Tilt is Mechanical, Lift Winch is electric

Note: Optional Electric Winch kits may be ordered for either or both winches in all models.



**Table 3-1 POW'R LITE Option Dimensions**

Generator	A (max)	A1 (min)	A2 (max)	B	C
TS25	33' 8"	11' 5-1/2"	92.20	159.04	134.13
TS35	33' 8"	11' 5-1/2"	92.20	159.04	134.13
TS45	35' 3-3/4"	16' 9-3/8"	112.25	162.25	135.89
TS60	35' 3-3/4"	16' 9-3/8"	112.25	162.25	135.89
TS80	35' 3-3/4"	16' 9-3/8"	112.25	162.25	135.89

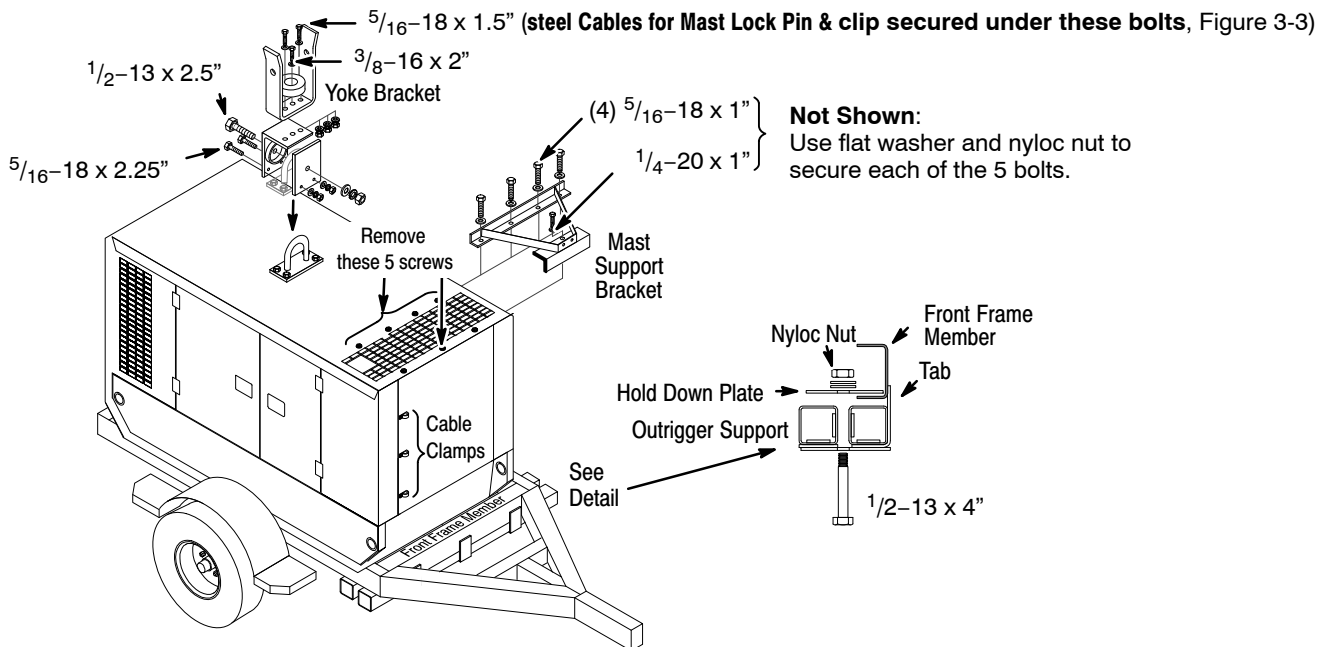
**Installation of Optional POW'R LITE Kit**

Before completion of the Generator installation and start-up, the POW'R LITE feature should be installed while the battery is disconnected (as received from the factory). Be sure to have a lift available to raise heavy components into position and hold them while they are fastened securely in place. A fork lift or other lift device is recommended.

First, several brackets need to be installed, refer to Figure 3-2. The hitch and other items are not shown to enhance viewing of items being installed.

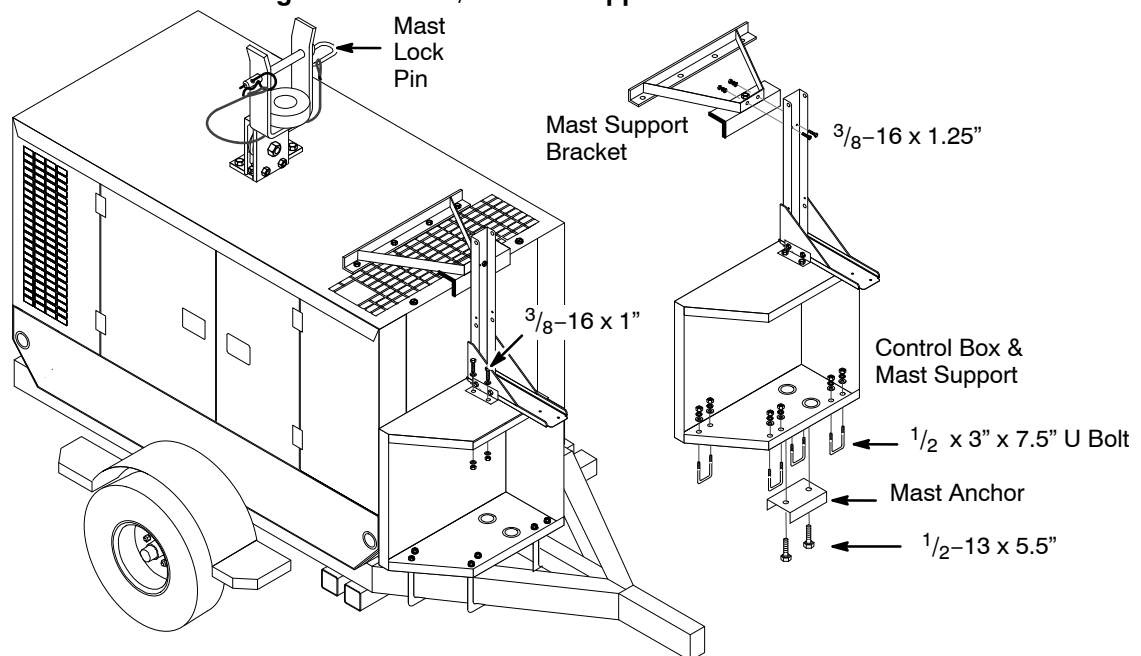
1. Remove the five (5) screws and associated hardware shown in Figure 3-2. The captive nuts must be pushed out to allow clearance for new bolts to be installed.
2. Locate the Mast Support bracket and associated hardware shown in Figure 3-2.
3. Install Mast Support bracket where the five (5) screws were removed in step 1, securely tighten all hardware.
4. Locate the Yoke bracket and associated hardware shown in Figure 3-2.
5. Install Yoke bracket at the lift ring as shown, securely tighten all hardware.
6. Locate Outrigger Support assembly, three Hold Down Plates and associated hardware shown in Figure 3-2.
7. Raise the Outrigger Support assembly close to the "Front Frame Member" so that the three tabs rest on the forward surface of the frame member.
8. Hold in position and place the Hold Down Plate on top of the Outrigger Support assembly so it is in good contact with the frame member and secure using associated hardware, see Figure 3-2. Repeat for all 3 Hold Down Plates.
9. Securely tighten all hardware.
10. Install the 3 cable clamps on the front panel of the generator as shown in Figure 3-2. These clamps will secure the POW'R LITE cable when it is installed later.

**Figure 3-2 Bracket & Outrigger Installation**



## TS25/35 Control Box & Mast Support

Figure 3-3 TS25/35 Mast Support Installation



The Control box and Mast support is installed as follows:

1. Locate the Control Box and Mast Support assembly and associated hardware shown in Figure 3-3. (Cables and winch are not shown).
2. Remove the front cover and disconnect the connector for the switch cable.
3. Place the Control box on the trailer frame and secure to the center and outer frame members using "U" bolts and related hardware as shown.
4. Secure the Mast Support to the Mast Support bracket using hardware shown.
5. Securely tighten all hardware.

## TS45/60/80 Control Box & Mast Support

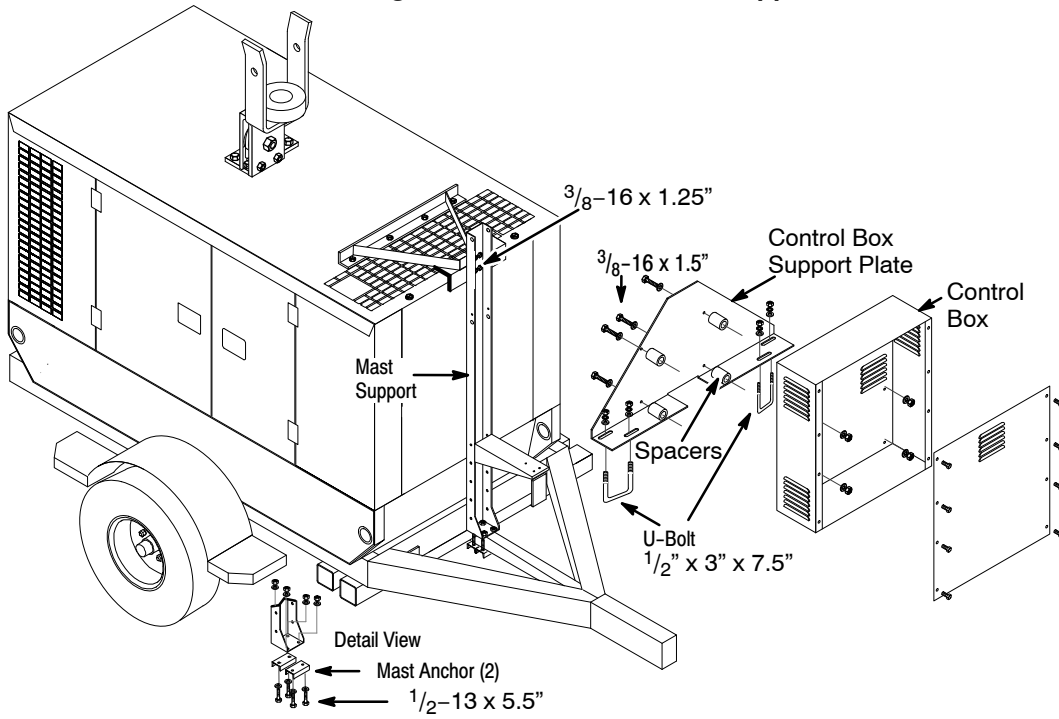
The Mast support is installed as follows:

1. Locate the Mast Support assembly and associated hardware shown in Figure 3-4. (Cables and winch are not shown).
2. Secure the Mast Support using hardware shown. Be sure the Mast Anchors are securely fastened to the Mast Support with the 5.5" bolts as shown.
3. Install the Control Box Support Plate on the trailer frame and secure to the outer frame members using "U" bolts and related hardware as shown.
4. Remove the Control Box cover.
5. Install the Control box to the Control Box Support Plate with hardware as shown. Be sure to use the spacers to prevent the control box louvers from touching the mast support.
6. Securely tighten all hardware.

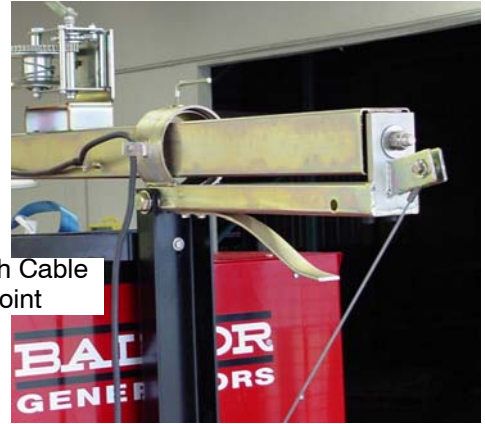
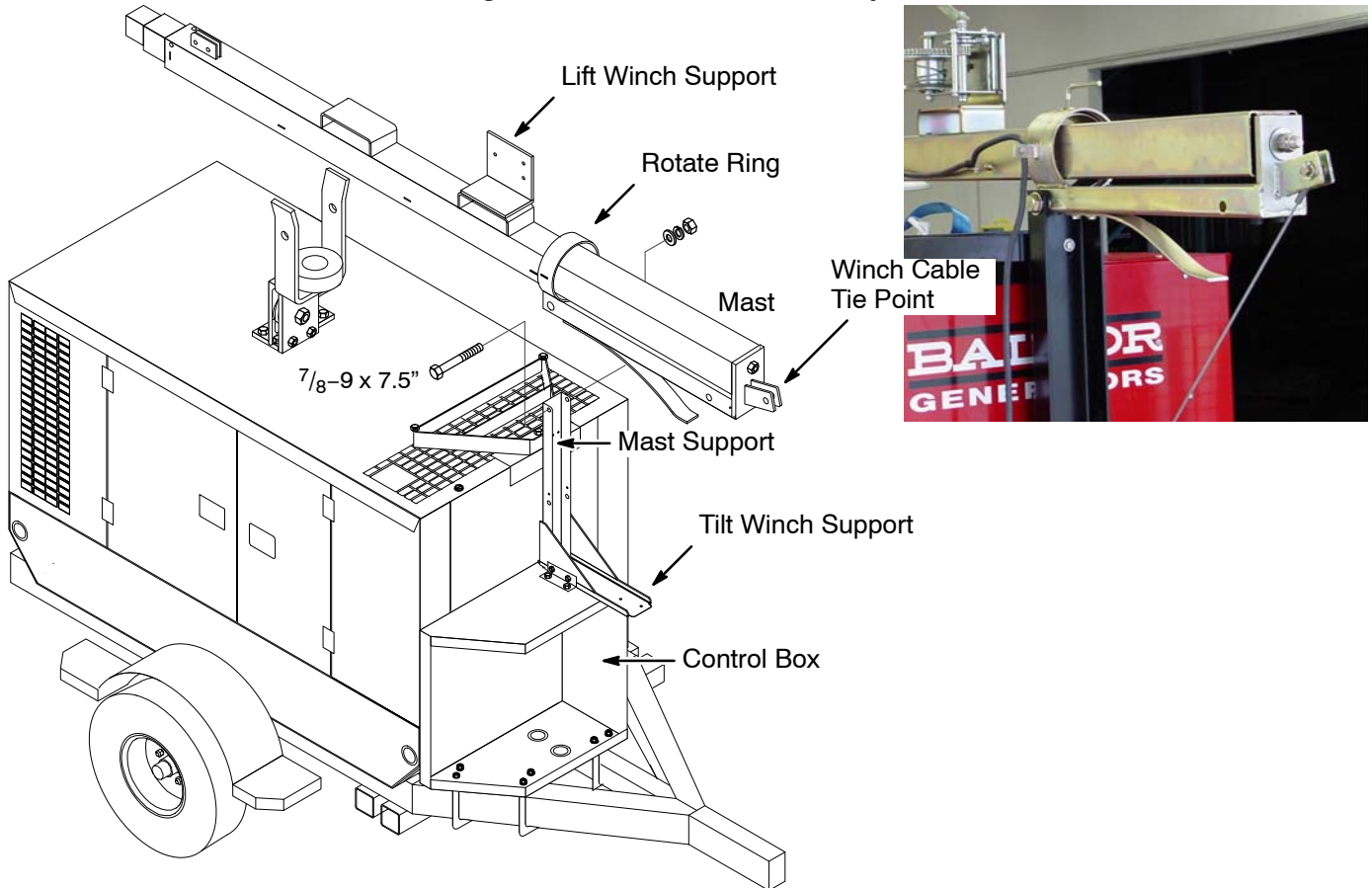
The POW'R LITE assembly can now be installed on the Mast Support as follows:

1. The mast assembly is Assembled and shipped on a pallet.
2. Remove all packing materials and be sure the mast assembly is free for removal from the pallet.
3. The mast assembly is extremely heavy and awkward to handle. Be sure a suitable lift device (forklift or overhead crane etc.) is available.
4. Lift the POW'R LITE mast assembly so it is over the generator as shown in Figure 3-5.
5. Remove the bolt from the mast at the Rotate Ring.
6. Lower the Mast onto the Yoke and Mast Support so the hole in the mast (where bolt was removed in step 5) aligns with the holes in the mast support.
7. Install the bolt, washers and nut (removed in step 5) to secure the mast to the mast support. Tighten the nut securely.

**Figure 3-4 TS45/60/80 Mast Support Installation**



**Figure 3-5 POW'R LITE Assembly**



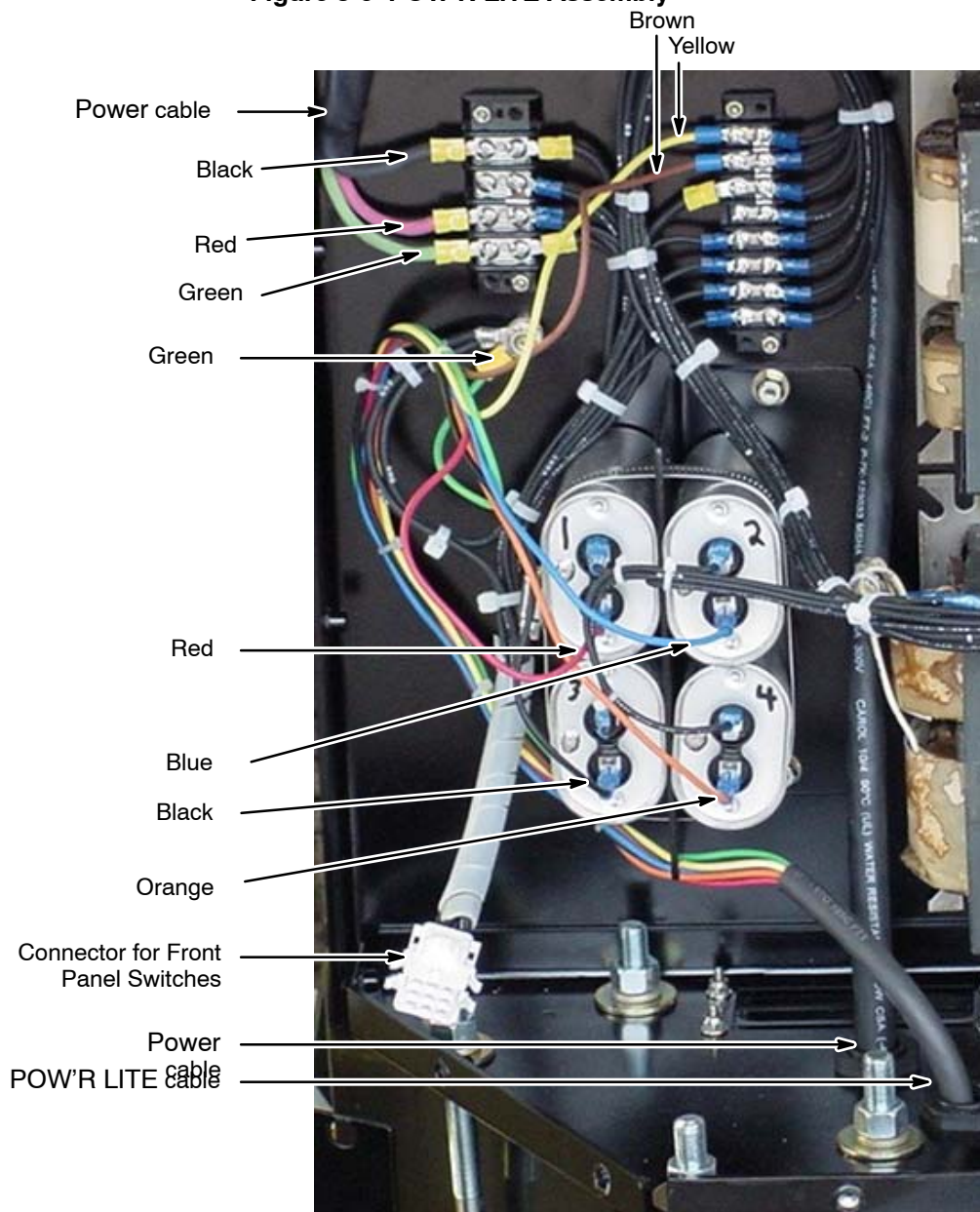
### The POW'R LITE assembly Continued

8. Remove the cotter pin, washer and pin from the Winch Cable Tie Point of the mast.
9. Secure the loop end of the winch cable to the mast Winch Cable Tie Point using the pin, washer and cotter pin removed in step 8.

POW'R LITE cable connections can now be made.

1. Route the POW'R LITE cable down the mast support into the bottom of the control box. Be sure to use the clamps, shown in Figure 3-2 to secure the cable to the generator.

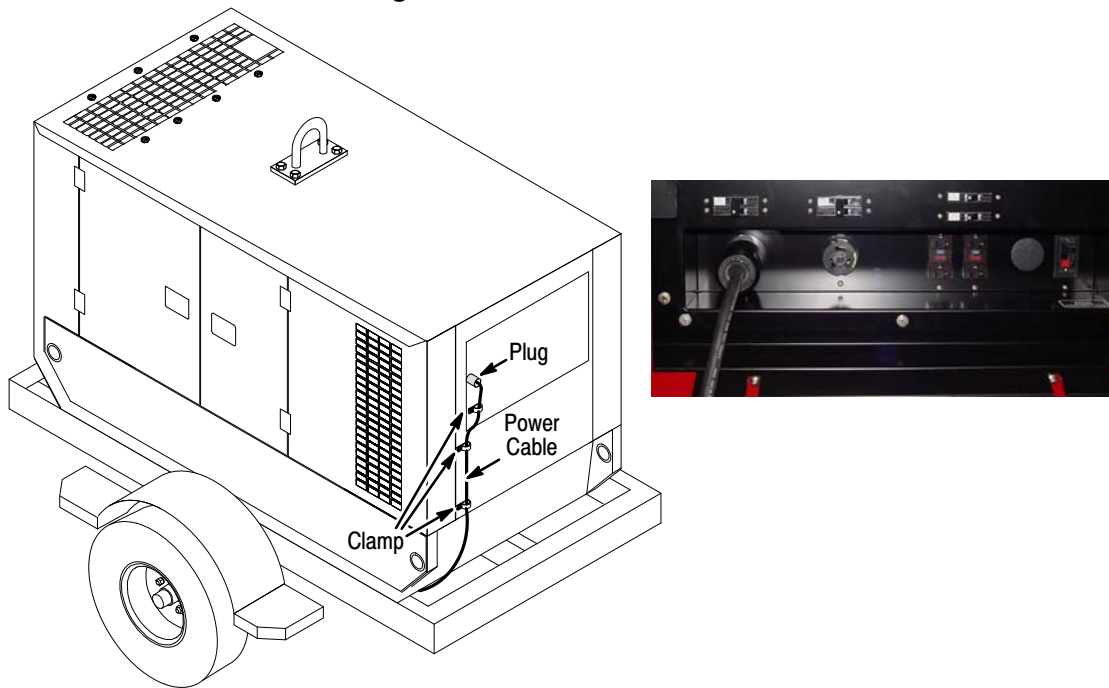
**Figure 3-6 POW'R LITE Assembly**



2. Connect the POW'R LITE cable wires to the capacitors as follows: (See Figure 3-6)
  - a. Red wire to capacitor #1.
  - b. Blue wire to capacitor # 2.
  - c. Black wire to capacitor # 3.
  - d. Orange wire to capacitor # 4.
  - e. Green wire to ground lug.

3. Connect the following POW'R LITE cable wires, see Figure 3-6:
  - a. Yellow wire to 1st terminal (Top).
  - b. Brown to the 2nd terminal.
4. The Power Cord has a 240VAC connector on one end, the other end has flying leads.
5. Route the Power Cable from the rear of the generator to the Control Box. Connect the plug to one of the 240VAC receptacles, see Figure 3-7. Use 3 cable clamps provided to secure the cable to the generator.
6. Be sure to route the flying lead end of the cable down the left side of the generator (viewed from rear of Genset). Lay the the cable between the trailer frame and generator base. Use plastic cable ties to secure the cable to the trailer cross members.
7. Pull the cable into the hole in the bottom of the Control Box, see Figure 3-6. Route the cable as shown inside the box toward the terminal strips.
8. Connect the Power Cord wires to the top left terminal strip of Figure 3-6:
  - a. Black wire to 1st terminal (Top).
  - b. Red wire to 3rd terminal.
  - c. Green wire to 4th terminal (Bottom).

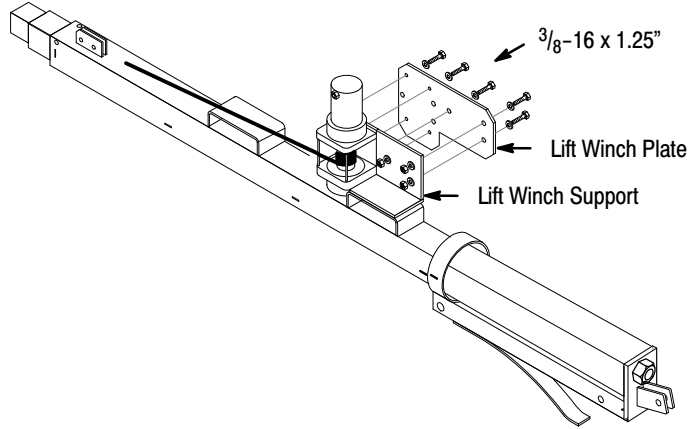
**Figure 3-7 Generator Outlets**



## Installation of TS45/60/80 Electric Winch

Since the TS45/60/80 is so tall, the lift winch is an electric winch to raise and lower the mast for light tower operation. It is mounted in the place of the mechanical winch and is shown in Figure 3-8. The switch for this electric kit winch is mounted inside the genset enclosure. Although this is standard for the TS45/60/80 kit, an electric winch kit PLEW12 can be added as a Lift or Tilt winch on any of the light tower kits.

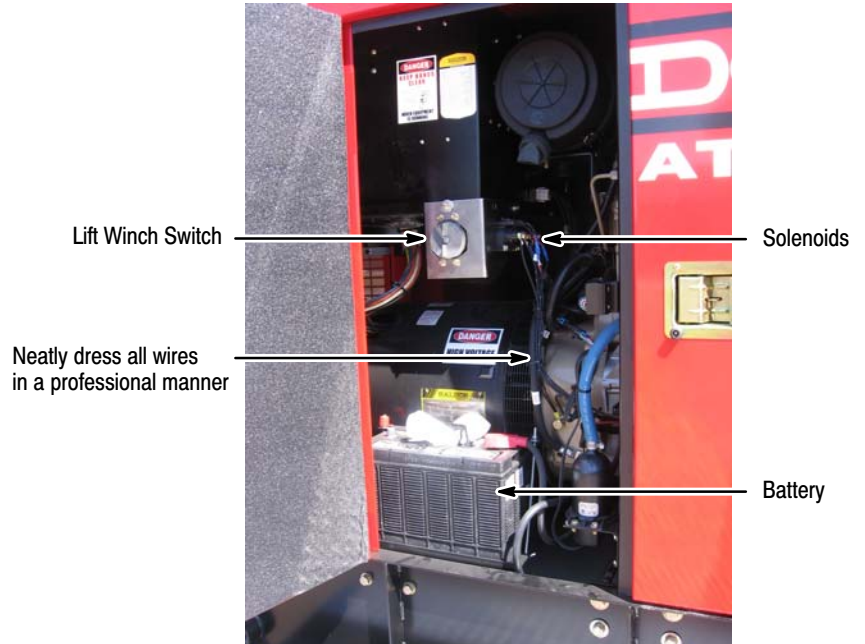
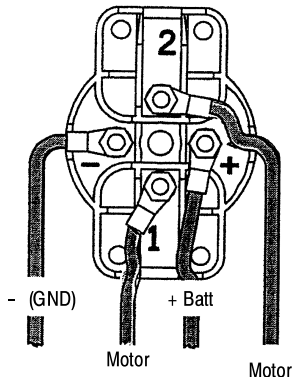
**Figure 3-8 Mast Lift Winch Assembly TS45/60/80**



1. Install electric winch on Lift Winch Support using Lift Winch Plate and hardware shown in Figure 3-8.
  2. Open the right side rear door to reveal the battery area. Figure 3-9.
  3. Disconnect the battery leads (at the battery) to prevent starting and to remove power from the Starter and other solenoids.
  4. Remove the solenoids from the solenoid bracket (TS80 only).
  5. Remove the bracket (TS80 only).
  6. Install the new switch bracket, the Lift Winch Switch ( $1/4-20 \times 3/4$ \" screws, lock washers and nuts).
- For TS45/60, if a wire harness is in the way (wire is “below” the mounting screw and mounting clip) rotate the clip 180 to move it out of the way of the new harness.
7. Install the solenoids removed in step 4 (TS80 only).

**Figure 3-9**

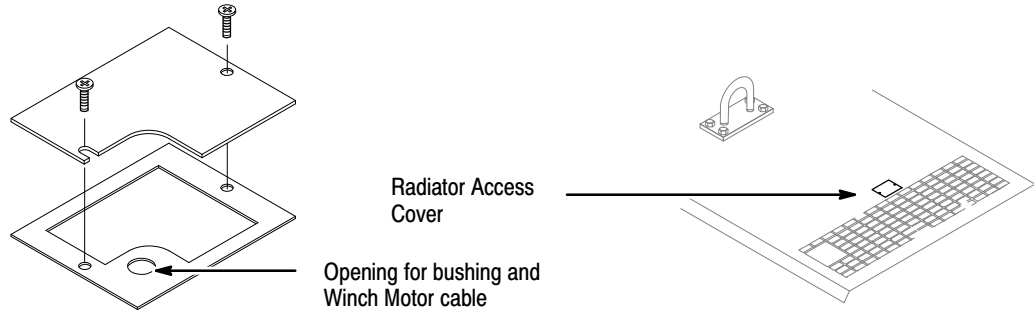
### Lift Winch Motor Switch Connections





- 
8. Connect the Lift Winch Motor Switch as shown in Figure 3-9. (The + Battery connection can be made at the solenoid terminals.) The wiring harness contains a 100 amp fuse to protect the motor.
  9. Locate and remove the Radiator Access cover.
  10. Install the replacement cover plate shown in Figure 3-10.

**Figure 3-10 Radiator Access Cover Replacement**



11. Route the Winch motor cable through the opening in the access cover and up the tower to the motor.
12. Secure the Winch motor cable at the radiator cover opening using the bushing provided.
13. Connect the Winch motor cable to the motor.
14. Dress the motor cable neatly in a professional manner.



## Section 4 Operation

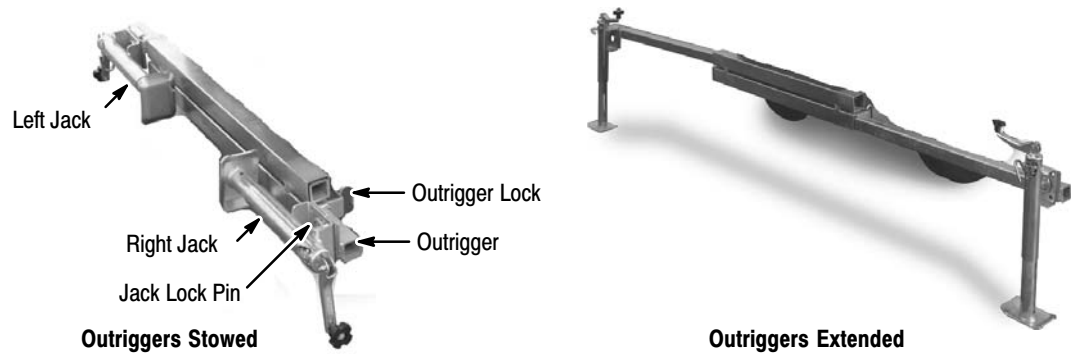
### Light Tower Setup

**WARNING:** The mast assembly must remain in the stowed position until the outriggers are properly set to stabilize the trailer. Erecting the mast without setting the outriggers can cause the light tower set to tip over when raising the mast.

Before starting the generator, be sure to setup the Light Tower if it is to be used. If the generator is already running, shut down generator operation before you proceed.

See Figure 4-1 for component identification. Carefully read all instructions before starting.

**Figure 4-1 Outrigger Setup**



1. Locate a suitable, level location ( $\pm 5\%$  incline maximum). Do not use the generator on grades that are greater than 5%. Also be sure there are no overhead wires or obstructions.  
The generator is balanced so the majority of the weight rests on the tow bar (front Jack). If on an incline, the safest way to position the trailer is to have the tow bar facing down the incline (front of the trailer lower than the rear of the trailer).
2. Pull the Outrigger Lock for the right jack and fully extend the right outrigger. Lock the outrigger into position using the Outrigger Lock.
3. Pull the Jack Lock Pin for the right jack and rotate the jack to the vertical position. Lock the jack in its vertical position using the Jack Lock Pin.
4. Repeat steps 2 and 3 for the left outrigger and jack.
5. Repeat steps 2 through 4 for the optional rear outriggers if installed.
6. With the front trailer stabilization in its fully extended position (Figure 4-1 right view), adjust the five jacks to level the trailer. All jacks must be in firm contact with the ground and the trailer must be level so the light tower will be vertical when raised.

**WARNING:** When erecting or stowing the mast assembly, be aware of the pinch points such as where the tower structures join or where the cable and winch are located. Careless operation can result in injury. Keep extremities away from moving parts to avoid injury.

**WARNING:** Before erecting the mast assembly, be certain that the outriggers are properly set to stabilize the unit and that they are secure and are not damaged. Erecting the mast without setting the outriggers can cause the unit to tip over when raising the mast.

**WARNING:** Before erecting the mast assembly, be certain that there are no overhead wires. Contact with overhead wiring presents an electrical shock hazard that may cause severe injury or death.

**WARNING:** Before erecting the mast assembly, be certain that there are no overhead obstructions that the mast will hit when raising it. Hitting an object (tree limb etc.) may damage the mast or cause the unit to tip over and may result in injury or property damage.

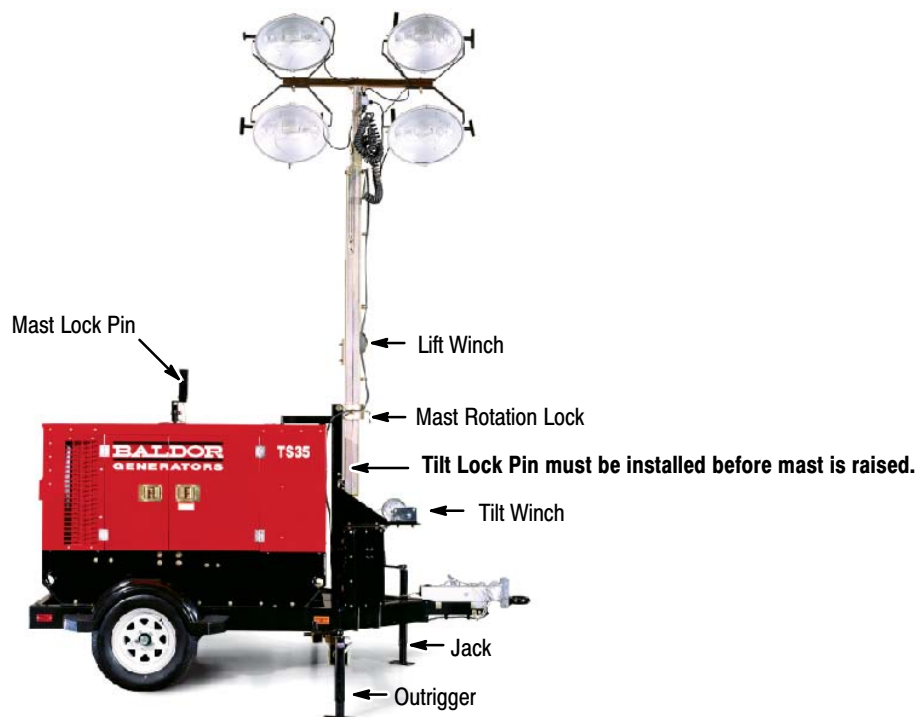
**WARNING:** Never move or reposition a light tower when the mast is extended or in the vertical position. Unless the mast is in its stowed position, it may contact overhead wires or cause the light tower to be unbalanced or tip over.

---

## **Light Tower Setup** Continued

1. With the Light Mast in its' stowed position, install or reposition the four light fixtures to the desired placement when the tower is raised.
2. Pull the Mast Lock pin so the mast is no longer secured in the stowed position.
3. Pull the Tilt Lock pin so it is not in the way when the mast is raised.
4. Use the Tilt Winch to raise the mast to the vertical position.

**Figure 4-2**



5. Secure the mast in the vertical position by inserting and locking the the Tilt Lock pin, Figure 4-2. **The Tilt Lock pin must be installed and the mast secured in the vertical position before the mast is raised.**
6. Use the Lift Winch to raise the mast to the desired height. The winch is self-braking and will lock in place automatically.
7. To rotate the lights to the desired position, loosen the Mast Rotation Lock on the collar of the mast, rotate the mast to the desired position and tighten the Mast Rotation Lock.

The light tower is now setup for operation.

**Flood Light Operation** Four flood light switches are located at the front of the generator on the Control box panel.

### **Flood Light Operation:**

1. When the engine reaches operating speed and is operating smoothly, turn on one light and wait one second turn on another light and wait one second etc. until the flood lights are all on.
2. Observe the operation of each flood light and replace defective bulbs if required. To change a bulb, refer to Section 5 of this manual.

Note: Vaporous flood lights may require 5 to 15 minutes to warm up and produce full light output.

### **Operating Checks:**

3. Check diesel fuel level and shut off the engine and add if necessary. Check engine oil each time fuel is added. Never allow the engine to run out of fuel or to run low of oil.

## Section 5

# Troubleshooting and Maintenance

---

### Flood Light Bulb Replacement

**WARNING:** Light fixtures become extremely hot during use. To prevent severe burns, do not touch light fixtures, bulbs or other components until they have cooled and no longer present a burn hazard. Wear protective clothing when placing the tower in the stowed position after use and do not allow any person to touch the light fixtures.

**WARNING:** Before cleaning, inspecting, repairing, refueling or performing any maintenance, always be sure the engine has stopped and that all rotating parts have also stopped. After stopping, certain components are still extremely hot so be careful not to get burned.

Refer to Section 4 of this manual or the generator manual for the procedures if you are not familiar with these steps.

1. Stop the generator.
2. Lower the mast.
3. Tilt the mast down to the stowed position.
4. Wait until the fixtures and bulbs have cooled sufficiently and replace the defective bulb.

### Periodic Inspections

Periodically inspect the following POW'R LITE components:

1. Clean the light tower and remove any and all dust, dirt, or other foreign material.
2. Clean the light tower and its components with a damp cloth or sponge. Never use a water hose or pressure washer as this may damage electrical components.
3. Replace damaged or missing warning labels.
4. Inspect the winch assembly for wear and proper operation. Replace as necessary.
5. Inspect the winch cable and both end loops for damage. Replace as necessary.
6. Verify mast rotation is smooth (with mast in vertical position). Replace as necessary.
7. Inspect Power Cable tie points, ensure that ties are secure and no part of cable extends lower than the trailer frame.
8. Inspect all electrical cables for damage and replace as necessary.
9. Inspect four light switches for operation and ensure the protective covers are present and not damaged. Replace as necessary.
10. Inspect covers for lights are intact and not damaged. Replace as necessary.

### **Service & Parts**

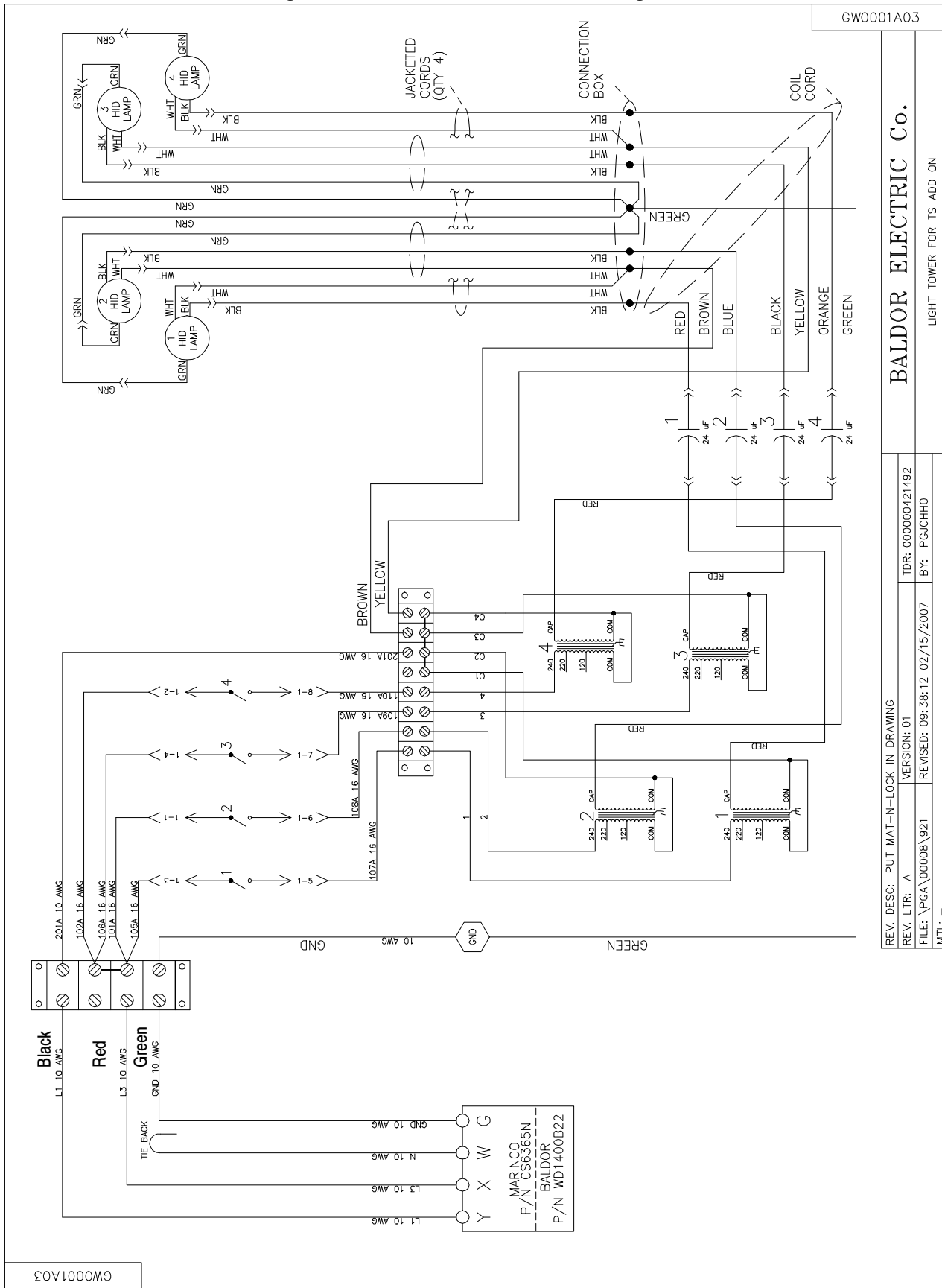
Service and parts for your generator can be obtained from an authorized service center. Please have the following information available prior to contacting the service center:

The model number and serial number of the generator set.

A complete and accurate description of the part (part number if known).

Note: Engine parts can usually be obtained from a local distributor by using the information in the engine manufacturer's owner's manual.

Figure 5-1 POW'R LITE Connection Diagram



GW0001A03

BALDOR ELECTRIC Co.

LIGHT TOWER FOR TS ADD ON

REV. DESC: PUT MAT-N-LOCK IN DRAWING	TDR: 00000421492
REV. LTR: A	VERSION: 01
FILE: \PGA\00008\921	REVISED: 09-30-12 02/15/2007
MTL: -	BY: PGJHHO





## Baldor District Offices

### UNITED STATES

#### ARIZONA

**PHOENIX**  
4211 S 43RD PLACE  
PHOENIX, AZ 85040  
PHONE: 602-470-0407  
FAX: 602-470-0464

#### ARKANSAS

**CLARKSVILLE**  
1001 COLLEGE AVE.  
CLARKSVILLE, AR 72830  
PHONE: 479-754-9108  
FAX: 479-754-9205

#### CALIFORNIA

**LOS ANGELES**  
6480 FLOTILLA  
COMMERCE, CA 90040  
PHONE: 323-724-6771  
FAX: 323-721-5859

**HAYWARD**  
21056 FORBES STREET  
HAYWARD, CA 94545  
PHONE: 510-785-9900  
FAX: 510-785-9910

#### COLORADO

**DENVER**  
3855 FOREST STREET  
DENVER, CO 80207  
PHONE: 303-623-0127  
FAX: 303-595-3772

#### CONNECTICUT

**WALLINGFORD**  
65 SOUTH TURNPIKE ROAD  
WALLINGFORD, CT 06492  
PHONE: 203-269-1354  
FAX: 203-269-5485

#### FLORIDA

**TAMPA/PUERTO RICO/  
VIRGIN ISLANDS**  
3906 EAST 11TH AVENUE  
TAMPA, FL 33605  
PHONE: 813-248-5078  
FAX: 813-247-2984

#### GEORGIA

**ATLANTA**  
62 TECHNOLOGY DR.  
ALPHARETTA, GA 30005  
PHONE: 770-772-7000  
FAX: 770-772-7200

#### ILLINOIS

**CHICAGO**  
4 SAMMONS COURT  
BOLINGBROOK, IL 60440  
PHONE: 630-296-1400  
FAX: 630-226-9420

#### INDIANA

**INDIANAPOLIS**  
5525 W. MINNESOTA STREET  
INDIANAPOLIS, IN 46241  
PHONE: 317-246-5100  
FAX: 317-246-5110

#### IOWA

**DES MOINES**  
1800 DIXON STREET, SUITE C  
DES MOINES, IA 50316  
PHONE: 515-263-6929  
FAX: 515-263-6515

#### MARYLAND

**BALTIMORE**  
6660 SANTA BARBARA RD.  
SUITE 22-24  
ELKRIDGE, MD 21075  
PHONE: 410-579-2135  
FAX: 410-579-2677

#### MASSACHUSETTS

**BOSTON**  
6 PULLMAN STREET  
WORCESTER, MA 01606  
PHONE: 508-854-0708  
FAX: 508-854-0291

#### MICHIGAN

**DETROIT**  
5993 PROGRESS DRIVE  
STERLING HEIGHTS, MI 48312  
PHONE: 586-978-9800  
FAX: 586-978-9969

#### MINNESOTA

**MINNEAPOLIS**  
21080 134TH AVE. NORTH  
ROGERS, MN 55374  
PHONE: 763-428-3633  
FAX: 763-428-4551

#### MISSOURI

**ST LOUIS**  
422 INDUSTRIAL DRIVE  
MARYLAND HEIGHTS, MO 63043  
PHONE: 314-298-1800  
FAX: 314-298-7660

#### KANSAS CITY

1501 BEDFORD AVENUE  
NORTH KANSAS CITY, MO 64116  
PHONE: 816-587-0272  
FAX: 816-587-3735

#### NEW YORK

**AUBURN**  
ONE ELLIS DRIVE  
AUBURN, NY 13021  
PHONE: 315-255-3403  
FAX: 315-253-9923

#### NORTH CAROLINA

**GREENSBORO**  
1220 ROTHERWOOD ROAD  
GREENSBORO, NC 27406  
PHONE: 336-272-6104  
FAX: 336-273-6628

#### OHIO

**CINCINNATI**  
2929 CRESCENTVILLE ROAD  
WEST CHESTER, OH 45069  
PHONE: 513-771-2600  
FAX: 513-772-2219

#### CLEVELAND

8929 FREEWAY DRIVE  
MACEDONIA, OH 44056  
PHONE: 330-468-4777  
FAX: 330-468-4778

#### OKLAHOMA

**TULSA**  
7170 S. BRADEN, SUITE 140  
TULSA, OK 74136  
PHONE: 918-366-9320  
FAX: 918-366-9338

#### OREGON

**PORTLAND**  
20393 SW AVERY COURT  
TUALATIN, OR 97062  
PHONE: 503-691-9010  
FAX: 503-691-9012

#### PENNSYLVANIA

**PHILADELPHIA**  
1035 THOMAS BUSCH  
MEMORIAL HIGHWAY  
PENNSAUKEN, NJ 08110  
PHONE: 856-661-1442  
FAX: 856-663-6363

#### PITTSBURGH

159 PROMINENCE DRIVE  
NEW KENSINGTON, PA 15068  
PHONE: 724-889-0092  
FAX: 724-889-0094

#### TENNESSEE

**MEMPHIS**  
4000 WINCHESTER ROAD  
MEMPHIS, TN 38118  
PHONE: 901-365-2020  
FAX: 901-365-3914

#### TEXAS

**DALLAS**  
3040 QUEBEC  
DALLAS, TX 75247  
PHONE: 214-634-7271  
FAX: 214-634-8874

#### HOUSTON

10355 W. LITTLE YORK RD.  
SUITE 300  
HOUSTON, TX 77041  
PHONE: (281) 977-6500  
FAX: (281) 977-6510

#### UTAH

**SALT LAKE CITY**  
2230 SOUTH MAIN STREET  
SALT LAKE CITY, UT 84115  
PHONE: 801-832-0127  
FAX: 801-832-8911

#### WISCONSIN

**MILWAUKEE**  
1960 S. CALHOUN ROAD  
NEW BERLIN, WI 53151  
PHONE: 262-784-5940  
FAX: 262-784-1215

#### INTERNATIONAL SALES

**FORT SMITH, AR**  
P.O. BOX 2400  
FORT SMITH, AR 72902  
PHONE: 479-646-4711  
FAX: 479-648-5895

#### CANADA

**EDMONTON, ALBERTA**  
4053-92 STREET  
EDMONTON, ALBERTA T6E 6R8  
PHONE: 780-434-4900  
FAX: 780-438-2600

#### TORONTO

**OAKVILLE, ONTARIO**  
2750 COVENTRY ROAD  
OAKVILLE, ONTARIO L6H 6R1  
PHONE: 905-829-3301  
FAX: 905-829-3302

#### MONTREAL, QUEBEC

5155, J.A. BOMBARDIER  
ST-HUBERT (QUÉBEC) CANADA  
J3Z 1G4  
PHONE: 514-933-2711  
FAX: 514-933-8639

#### VANCOUVER, BRITISH COLUMBIA

1538 KEBET WAY  
PORT COQUITLAM,  
BRITISH COLUMBIA V3C 5M5  
PHONE 604-421-2822  
FAX: 604-421-3113

#### WINNIPEG, MANITOBA

54 PRINCESS STREET  
WINNIPEG, MANITOBA R3B 1K2  
PHONE: 204-942-5205  
FAX: 204-956-4251

#### AUSTRALIA

UNIT 3, 6 STANTON ROAD  
SEVEN HILLS, NSW 2147, AUSTRALIA  
PHONE: (61) (2) 9674 5455  
FAX: (61) (2) 9674 2495

#### UNIT 8, 5 KELLETTS ROAD

ROWVILLE, VICTORIA, 3178 AUSTRALIA  
PHONE: (61) (3) 9753 4355  
FAX: (61) (3) 9753 4366

#### EL SALVADOR

RESIDENCIAL PINARES DE SUIZA  
POL. 15 #44,  
NVA. SAN SALVADOR, EL SALVADOR  
PHONE: +503 2288-1519  
FAX: +503 2288-1518

#### CHILE

LUIS THAYER OJEDA 166,  
OF 402 - PROVIDENCIA  
SANTIAGO, CHILE  
PHONE: +56 2 816 9900

#### CHINA

160 SONG SHENG ROAD  
SONGJIANG INDUSTRY ZONE  
SHANGHAI 201613, CHINA  
PHONE: +86 21 5760 5335  
FAX: +86 21 5760 5336

#### GERMANY

DIESELSTRASSE 22  
D-85551 KIRCHHEIM  
MUNICH, GERMANY  
PHONE: +49 89 90 5080  
FAX: +49 89 90 50 8492

#### INDIA

14, COMMERCE AVENUE  
MAHAGANESH COLONY  
PAUD ROAD  
PUNE - 411038  
MAHARASHTRA, INDIA  
PHONE: +91 20 25 45 27 17 / 18  
FAX: +91 20 25 45 27 19

#### INDONESIA

TALAVERA OFFICE PARK,  
28TH FLOOR, SUITE M18  
JI. T.B. SIMATUPANG, KAV. 22-26  
JAKARTA 12430, INDONESIA  
PHONE: +62 21 7599 9879  
FAX: + 62 21 7599 9878

#### ITALY

BALDOR ASR AG  
SUCCURSALE DI MENDRISIO  
VIA BORROMINI, 20A  
CH-6850 MENDRISIO  
SWITZERLAND  
PHONE: 0041 91 640 99 50  
FAX: 0041 91 630 26 33

#### JAPAN

DIA BLDG 802,  
2-21-1 TSURUYA-CHO,  
KANAGAWA-KU  
YOKOHAMA, 221-0835, JAPAN  
PHONE: 81-45-412-4506  
FAX: 81-45-412-4507

#### MEXICO

**LEON, GUANAJUATO**  
KM. 2.0 BLVD. AEROPUERTO  
LEÓN 37545, GUANAJUATO, MÉXICO  
PHONE: +52 477 761 2030  
FAX: +52 477 761 2010

#### MIDDLE EAST & NORTH AFRICA

VSE INTERNATIONAL CORP.  
P. O. BOX 5618  
BUFFALO GROVE, IL 60089-5618  
PHONE: 847 590 5547  
FAX: 847 590 5587

#### PANAMA

AVE. RICARDO J. ALFARO  
EDIFICIO SUN TOWERS MALL  
PISO 2, LOCAL 55  
CIUDAD DE PANAMÁ, PANAMÁ  
PHONE: +507 236-5155  
FAX: +507 236-0591

#### SINGAPORE

18 KAKI BUKIT ROAD 3, #03-09  
ENTREPRENEUR BUSINESS CENTRE  
SINGAPORE 415978  
PHONE: (65) 6744 2572  
FAX: (65) 6747 1708

#### SWITZERLAND

POSTFACH 73  
SCHUTZENSTRASSE 59  
CH-8245 FEUERTHALEN  
SWITZERLAND  
PHONE: +41 52 647 4700  
FAX: +41 52 659 2394

#### TAIWAN

1F, NO 126 WENSHAN 3RD STREET,  
NANTUN DISTRICT,  
TAICHUNG CITY 408  
TAIWAN R.O.C  
PHONE: (886) 4 238 04235  
FAX: (886) 4 238 04463

#### UNITED KINGDOM

6 BRISTOL DISTRIBUTION PARK  
HAWKLEY DRIVE  
BRISTOL BS32 0BF U.K.  
PHONE: +44 1454 850000  
FAX: +44 1454 859001

#### VENEZUELA

AV. ROMA. OTA EL MILAGRO. URB.  
CALIFORNIA NORTE  
CARACAS, 1070  
VENEZUELA  
PHONE/FAX: +58 212 272 7343  
MOBILE: +58 414 114 8623

**WARNING:**  
**CALIFORNIA PROPOSITION 65 WARNING:**  
Engine exhaust from this product contains chemicals known to the state of California to cause cancer, birth defects and other reproductive harm.

**WARNING:**  
**CALIFORNIA PROPOSITION 65 WARNING:**  
Battery posts, terminals and related accessories are known to the state of California to cause cancer, birth defects and other reproductive harm.



**BALDOR**<sup>®</sup>

**World Headquarters**

P.O. Box 2400 Fort Smith, AR 72902-2400 USA Ph: (1) 479.646.4711, Fax: (1) 479.648.5792  
[www.baldor.com](http://www.baldor.com)

