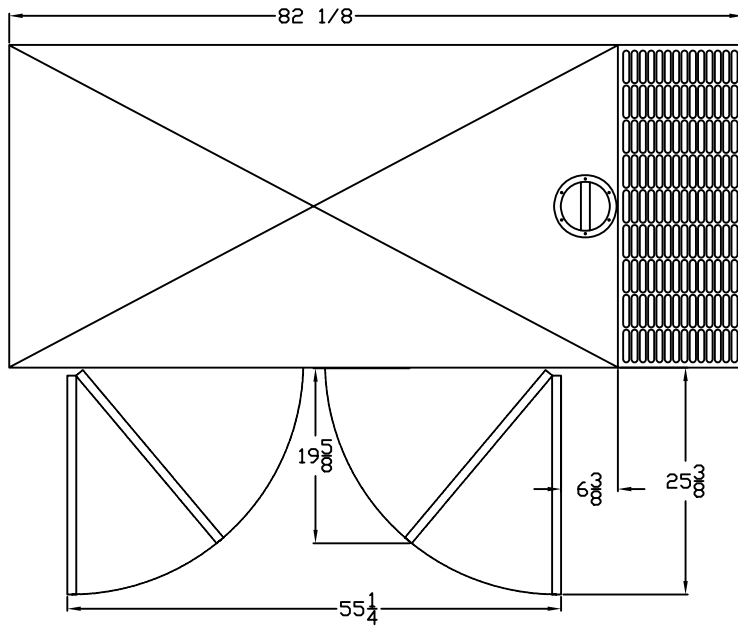


# OUTLINE DIMENSIONS FOR 20 THRU 30 KW STANDARD ENCLOSURE (HINGED DOORS)

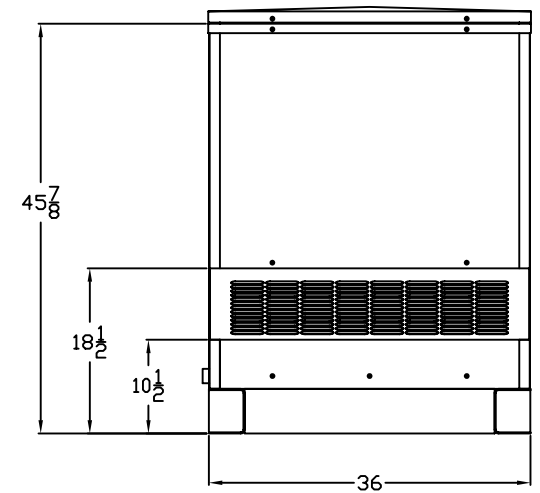
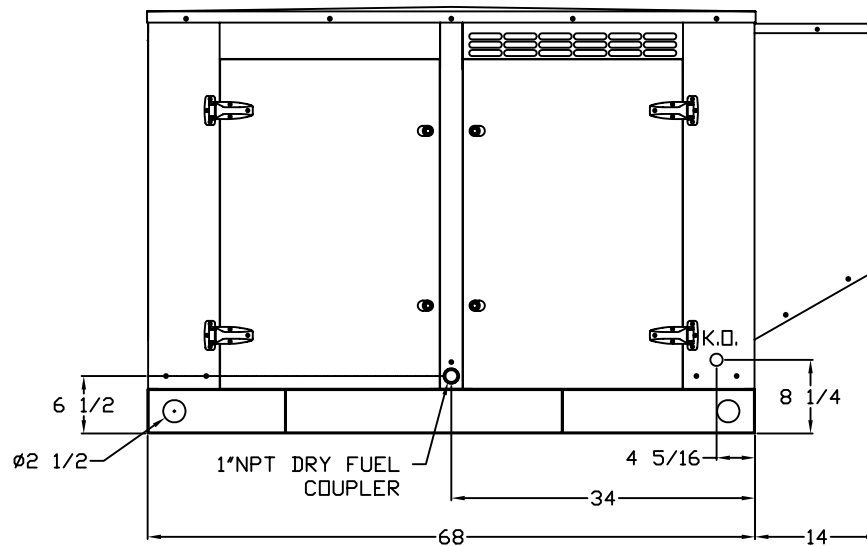
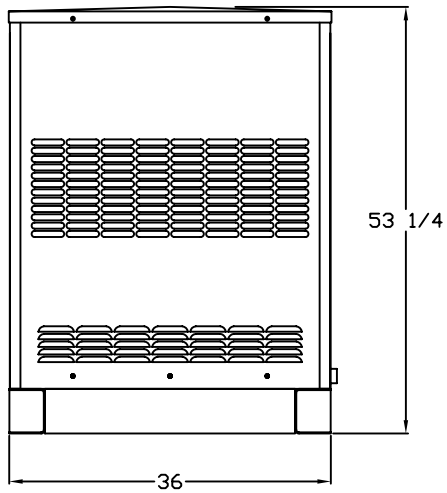
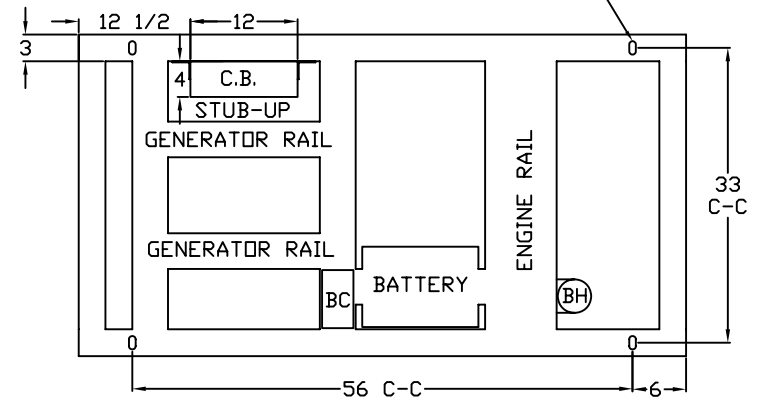
**TOP VIEW**

(GEN-SET HAS (4) DOORS, (2) SHOWN OPEN ARE TYPICAL FOR BOTH SIDES)



**FRAME VIEW**

(4)  $\frac{3}{4}$ " X  $1\text{-}\frac{3}{4}$ " MOUNTING SLOTS



**GENERATOR END VIEW**

**SIDE VIEW**

**RADIATOR END VIEW**