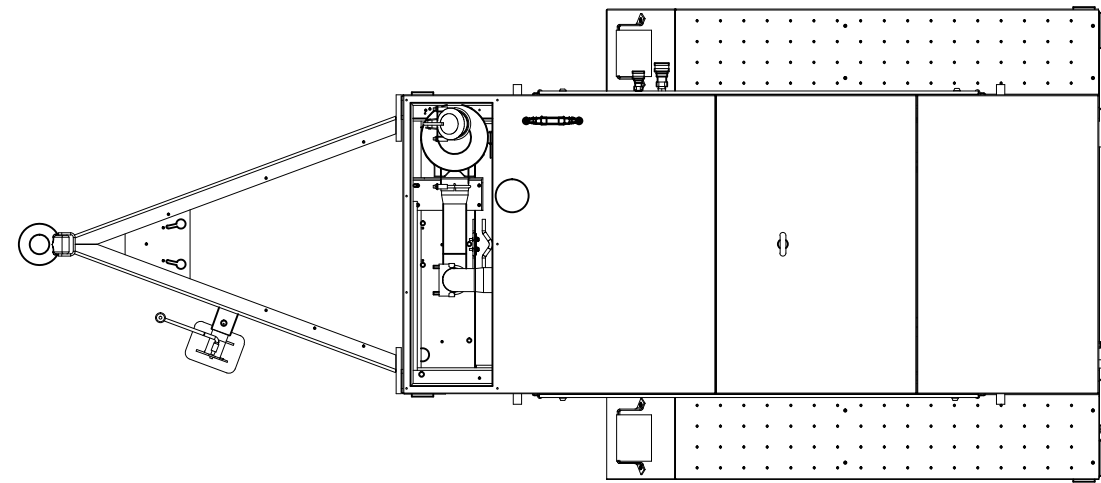
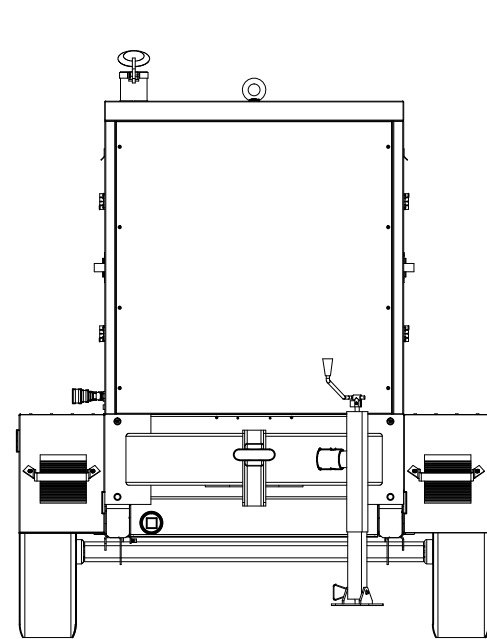


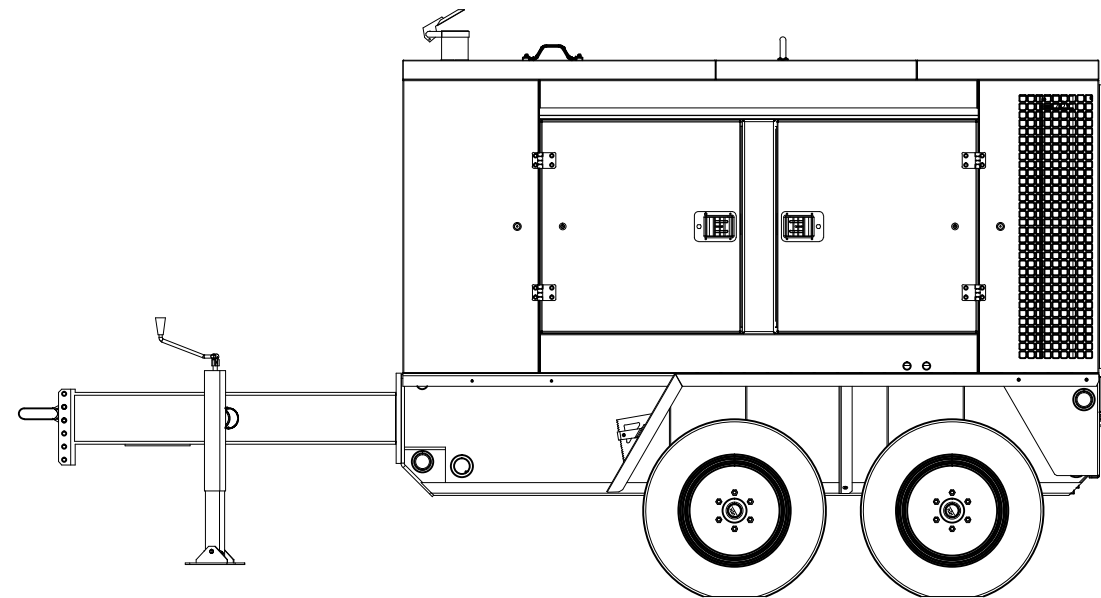
REV	DESCRIPTION	ECN#	DWN	APVD	DATE
A	PRELIMINARY DRAWING	3801	DMP	ACH	21NOV14



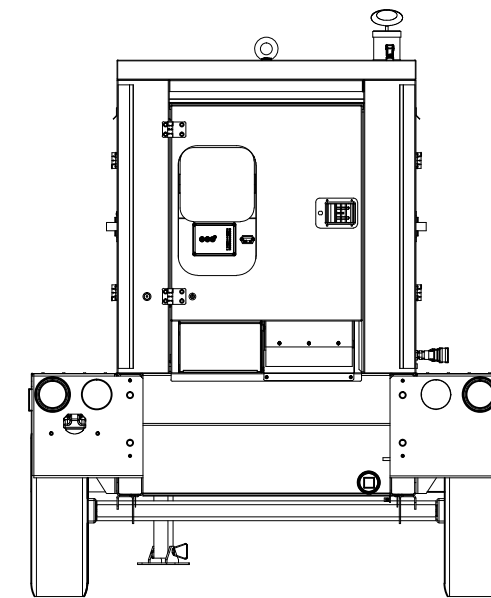
VIEW B  
SEE SHEET 3 FOR  
ENLARGED VIEW



VIEW C  
SEE SHEET 4 FOR  
ENLARGED VIEW



VIEW A  
SEE SHEET 2 FOR  
ENLARGED VIEW

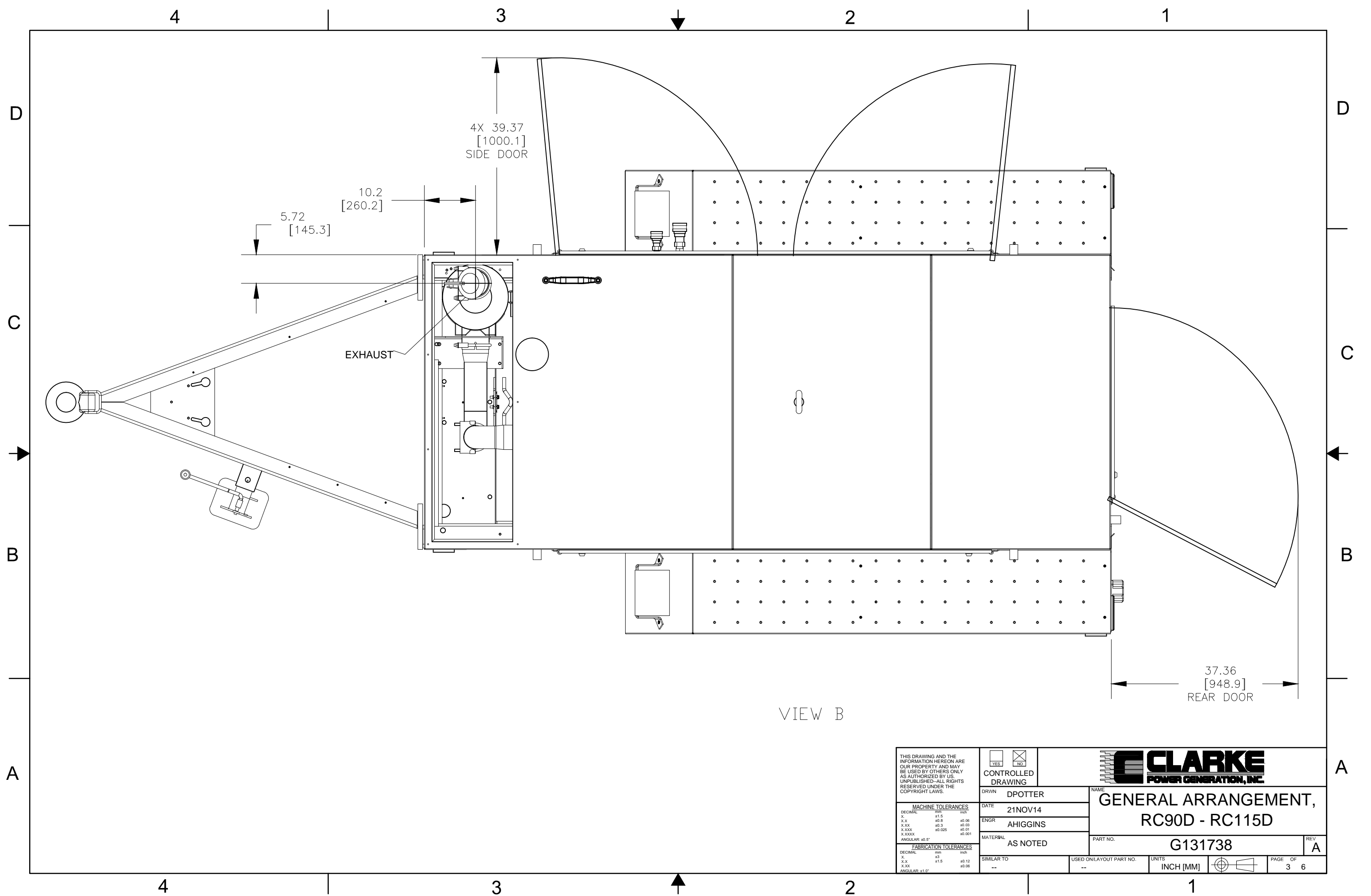


VIEW D  
SEE SHEET 4 FOR  
ENLARGED VIEW

5  
A3

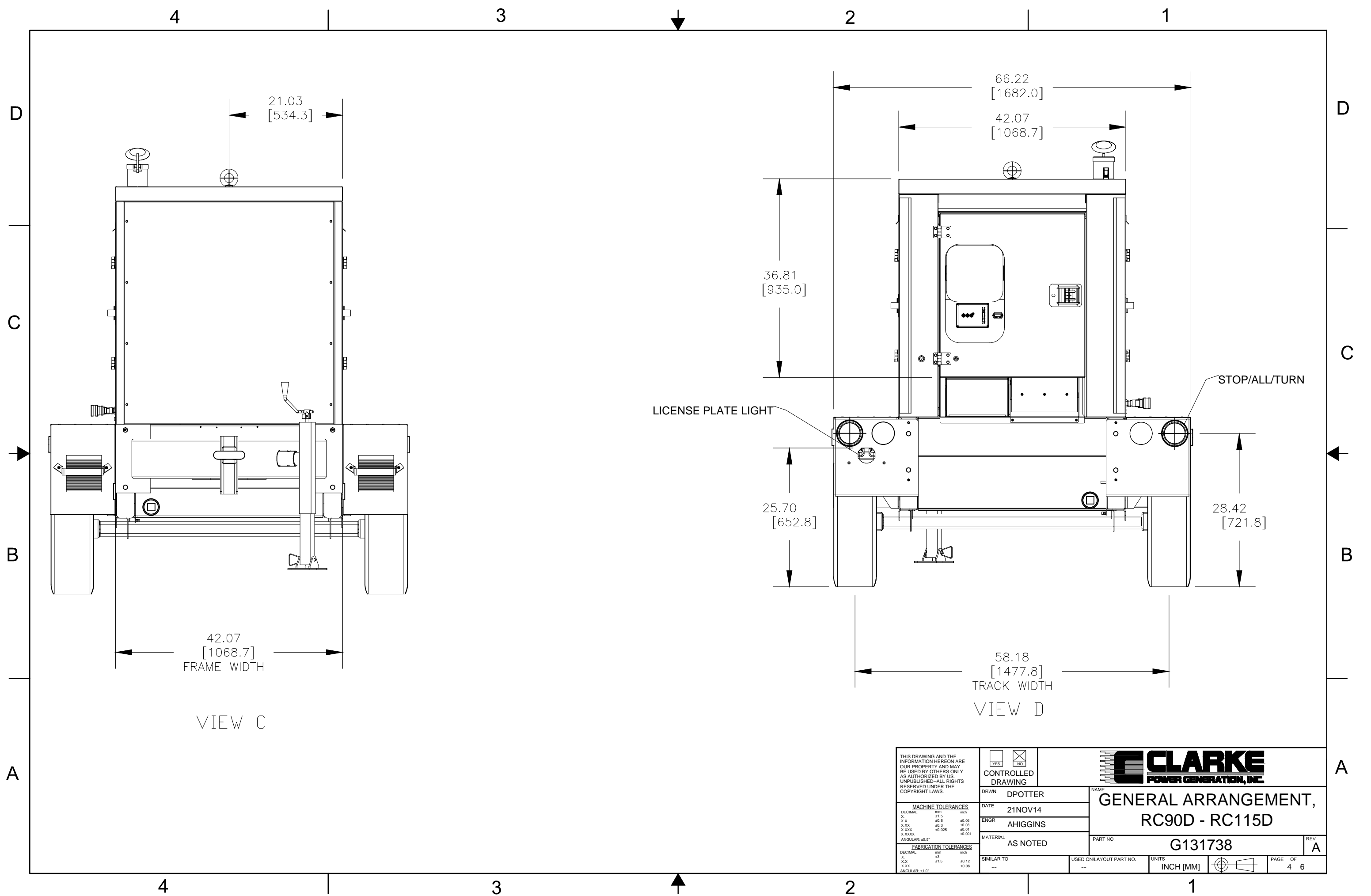
<small>THIS DRAWING AND THE INFORMATION HEREON ARE OUR PROPERTY AND MAY BE USED BY OTHERS ONLY AS AUTHORIZED BY US. UNPUBLISHED-ALL RIGHTS RESERVED UNDER THE COPYRIGHT LAWS.</small>		<input type="checkbox"/> YES <input checked="" type="checkbox"/> NO <b>CONTROLLED DRAWING</b>	
<b>DRWN</b> DPOTTER <b>DATE</b> 21NOV14 <b>ENGR</b> AHIGGINS	<b>NAME</b> <b>GENERAL ARRANGEMENT, RC90D - RC115D</b>		
<b>MACHINE TOLERANCES</b> DECIMAL mm inch X ±1.5 ±0.06 X.X ±0.8 ±0.03 X.XX ±0.3 ±0.03 X.XXX ±0.025 ±0.01 X.XXXX ±0.01 ±0.001 ANGULAR: ±0.5°	<b>MATERIAL</b> AS NOTED	<b>PART NO.</b> G131738	<b>REV</b> A
<b>FABRICATION TOLERANCES</b> DECIMAL mm inch X ±3 ±1.2 X.X ±1.5 ±0.08 X.XX ±1.5 ±0.08 ANGULAR: ±1.0°	<b>SIMILAR TO</b> --	<b>USED ON LAYOUT PART NO.</b> --	<b>UNITS</b> INCH [MM]

E



THIS DRAWING AND THE INFORMATION HEREON ARE OUR PROPERTY AND MAY BE USED BY OTHERS ONLY AS AUTHORIZED BY US. UNPUBLISHED-ALL RIGHTS RESERVED UNDER THE COPYRIGHT LAWS.

<input type="checkbox"/> YES <input checked="" type="checkbox"/> NO CONTROLLED DRAWING		
DRWN	DPOTTER	
DATE	21NOV14	NAME <b>GENERAL ARRANGEMENT, RC90D - RC115D</b>
ENGR	AHIGGINS	
MATERIAL	AS NOTED	PART NO. <b>G131738</b>
SIMILAR TO	--	USED ONLY LAYOUT PART NO. --
MACHINE TOLERANCES DECIMAL    mm    inch X            ±1.5    ±0.06 X.X         ±0.8    ±0.03 X.XX        ±0.3    ±0.01 X.XXX       ±0.025 ±0.001 X.XXXX      ±0.001 ANGULAR: ±0.5°		UNITS INCH [MM]
FABRICATION TOLERANCES DECIMAL    mm    inch X            ±3     ±0.12 X.X         ±1.5    ±0.08 X.XX        ±0.75 ANGULAR: ±1.0°		REV <b>A</b>
PAGE OF 3 6		PAGE OF 3 6



42.07  
[1068.7]  
FRAME WIDTH

VIEW C

66.22  
[1682.0]  
42.07  
[1068.7]

36.81  
[935.0]

25.70  
[652.8]

28.42  
[721.8]

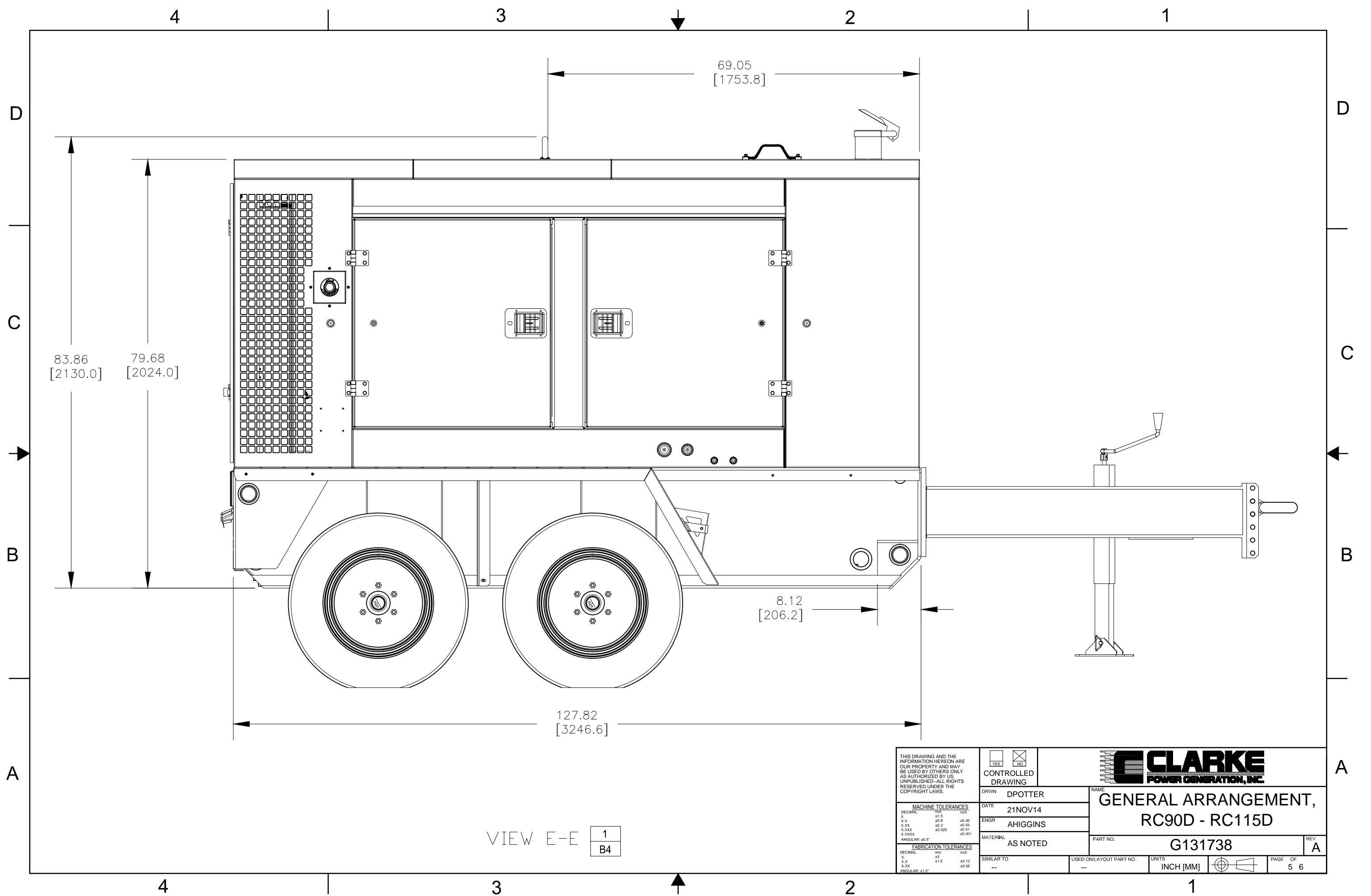
58.18  
[1477.8]  
TRACK WIDTH

VIEW D

LICENSE PLATE LIGHT

STOP/ALL/TURN

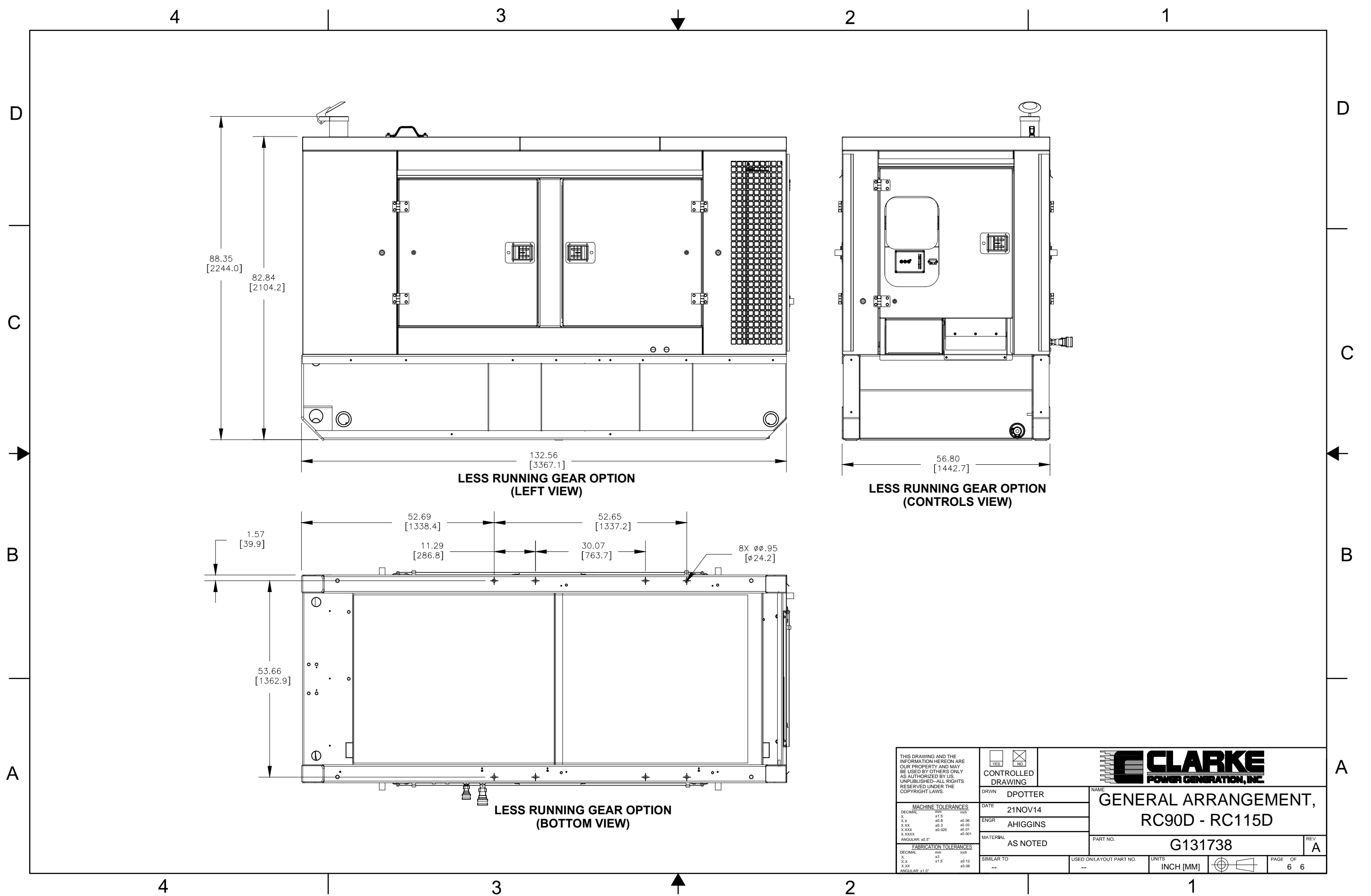
THIS DRAWING AND THE INFORMATION HEREON ARE OUR PROPERTY AND MAY BE USED BY OTHERS ONLY AS AUTHORIZED BY US. UNPUBLISHED-ALL RIGHTS RESERVED UNDER THE COPYRIGHT LAWS.		<input type="checkbox"/> YES <input checked="" type="checkbox"/> NO <b>CONTROLLED DRAWING</b>	
DRWN DPOTTER DATE 21NOV14 ENGR AHIGGINS	NAME <b>GENERAL ARRANGEMENT, RC90D - RC115D</b>		
<b>MACHINE TOLERANCES</b> DECIMAL mm inch X ±1.5 ±0.06 X.X ±0.8 ±0.03 X.XX ±0.3 ±0.01 X.XXX ±0.025 ±0.001 X.XXXX ±0.001 ANGULAR ±0.5°	MATERIAL AS NOTED	PART NO. <b>G131738</b>	REV <b>A</b>
<b>FABRICATION TOLERANCES</b> DECIMAL mm inch X ±3 ±1.2 X.X ±1.5 ±0.08 X.XX ±1.5 ±0.08 ANGULAR ±1.0°	SIMILAR TO --	USED ON LAYOUT PART NO. --	UNITS INCH [MM] 
		PAGE 4 OF 6	



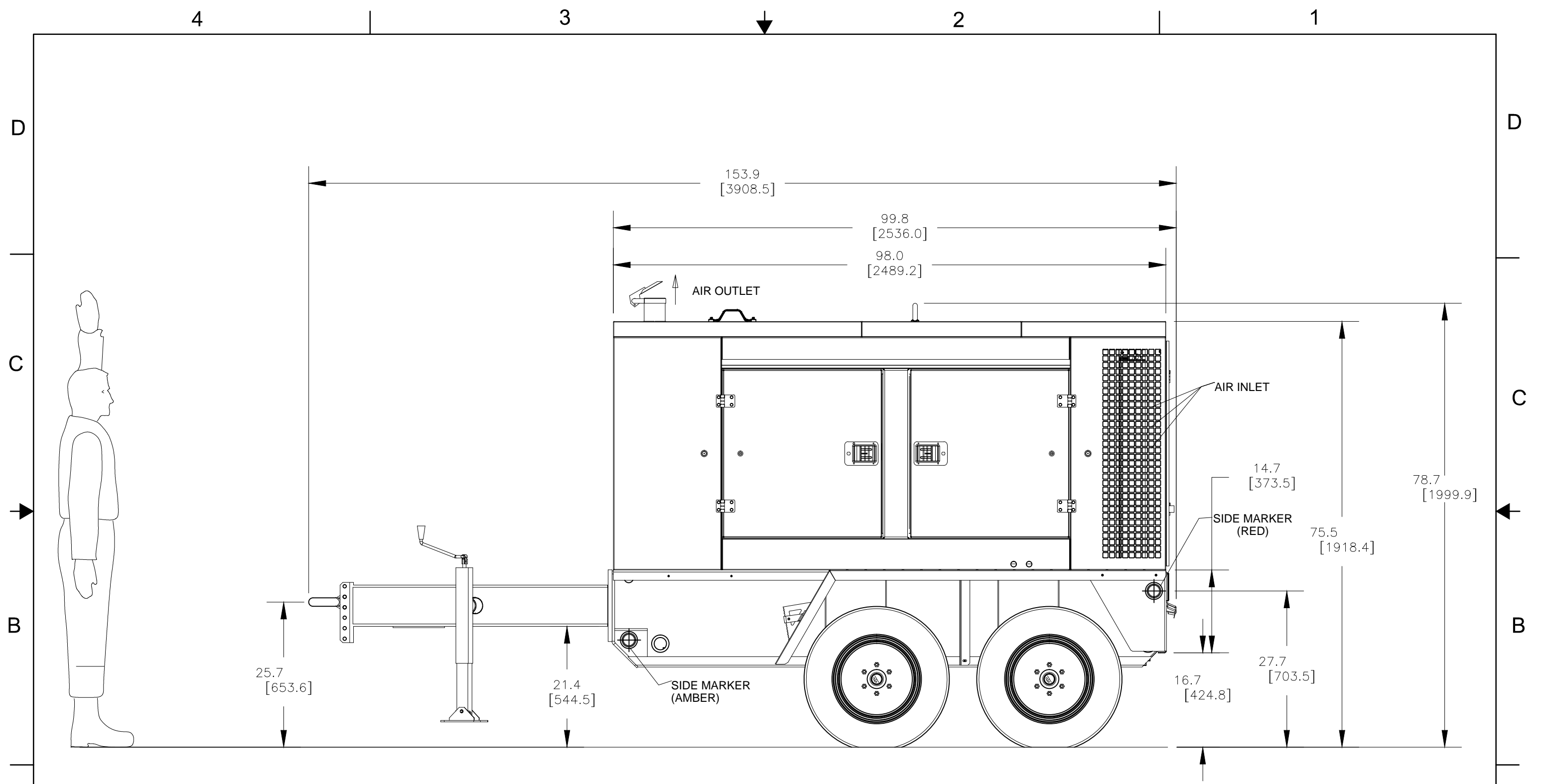
VIEW E-E

1
B4

THIS DRAWING AND THE INFORMATION HEREON ARE OUR PROPERTY AND MAY BE USED BY OTHERS ONLY AS AUTHORIZED BY US. UNPUBLISHED-ALL RIGHTS RESERVED UNDER THE COPYRIGHT LAWS.	<input type="checkbox"/> YES <input checked="" type="checkbox"/> NO CONTROLLED DRAWING		NAME <b>GENERAL ARRANGEMENT, RC90D - RC115D</b>	
	DRWN DPOTTER		DATE 21NOV14	
	ENGR AHIGGINS	MATERIAL AS NOTED	PART NO. <b>G131738</b>	REV <b>A</b>
	SIMILAR TO --	USED ON LAYOUT PART NO. --	UNITS INCH [MM]	PAGE OF 5 6



THIS DRAWING AND THE INFORMATION HEREON ARE OUR PROPERTY AND MAY BE USED BY OTHERS ONLY AS AUTHORIZED BY US. UNPUBLISHED-ALL RIGHTS RESERVED UNDER THE COPYRIGHT LAWS.		<input type="checkbox"/> YES <input checked="" type="checkbox"/> NO <b>CONTROLLED DRAWING</b>	
DRWN DPOTTER DATE 21NOV14 ENGR AHIGGINS	NAME <b>GENERAL ARRANGEMENT, RC90D - RC115D</b>		
<b>MACHINE TOLERANCES</b> DECIMAL mm inch X ±1.5 ±0.06 XX ±0.8 ±0.03 XXX ±0.3 ±0.01 XXXX ±0.025 ±0.001 ANGULAR ±0.5°	MATERIAL AS NOTED	PART NO. G131738	REV A
<b>FABRICATION TOLERANCES</b> DECIMAL mm inch X ±3 ±0.12 XX ±1.5 ±0.08 ANGULAR ±1.0°	SIMILAR TO --	USED ON LAYOUT PART NO. --	UNITS INCH [MM]
		PAGE 6 OF 6	



THIS DRAWING AND THE INFORMATION HEREON ARE OUR PROPERTY AND MAY BE USED BY OTHERS ONLY AS AUTHORIZED BY US. UNPUBLISHED-ALL RIGHTS RESERVED UNDER THE COPYRIGHT LAWS.		<input type="checkbox"/> YES <input checked="" type="checkbox"/> NO CONTROLLED DRAWING		NAME <b>GENERAL ARRANGEMENT, RC90D - RC115D</b>	
<b>MACHINE TOLERANCES</b> DECIMAL    mm    inch X            ±1.5    ±0.06 X.X         ±0.8    ±0.03 X.XX       ±0.3    ±0.01 X.XXX      ±0.025 ±0.001 X.XXXX     ±0.01    ±0.001 ANGULAR: ±0.5°		DRWN    DPOTTER DATE    21NOV14 ENGR    AHIGGINS			PART NO. <b>G131738</b>
<b>FABRICATION TOLERANCES</b> DECIMAL    mm    inch X            ±3     ±0.12 X.X         ±1.5    ±0.08 X.XX       ±1.5    ±0.08 ANGULAR: ±1.0°		MATERIAL AS NOTED	USED ONLY LAYOUT PART NO.    --	UNITS INCH [MM]	PAGE OF 2 6