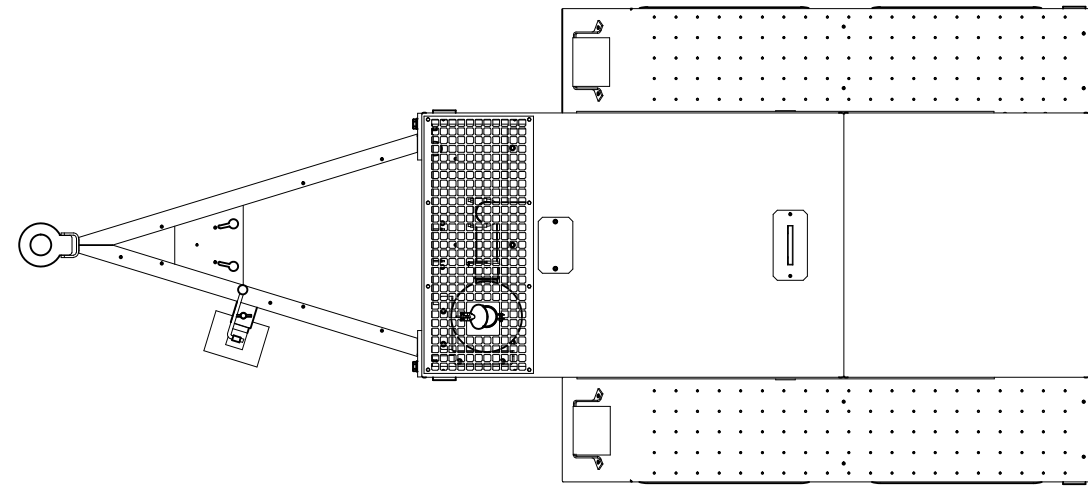


REV	DESCRIPTION	ECN#	DWN	APVD	DATE
A	PRELIMINARY DRAWING	3801	DMP	ACH	21NOV14

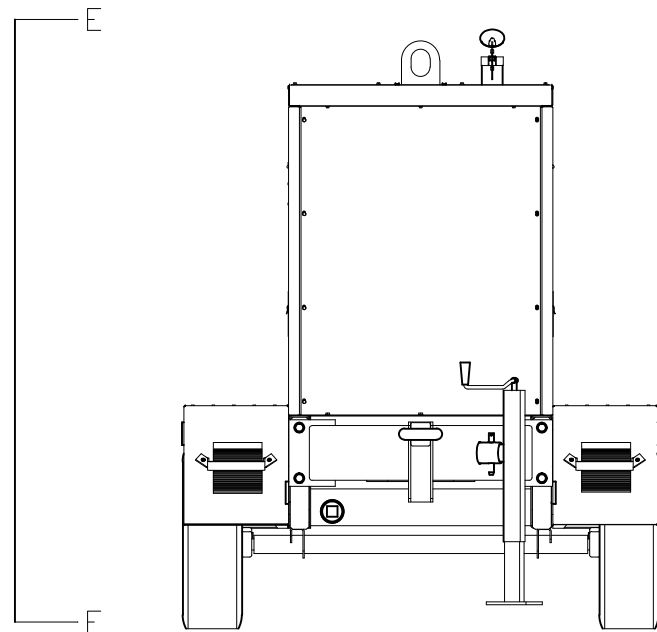
NOTES:

1 MINIMUM CLEARANCE OF 36 INCHES FROM OPPOSING SURFACES IS TO BE MAINTAINED ON ALL SIDES AND OVERHEAD DURING OPERATION.

2. INCH AND METRIC DIMENSIONS IN THE FIELD OF THE DRAWING ARE COMBINED BY PLACING THE METRIC DIMENSION BELOW THE INCH DIMENSION.
EXAMPLE : INCH 10.5
MM [267]

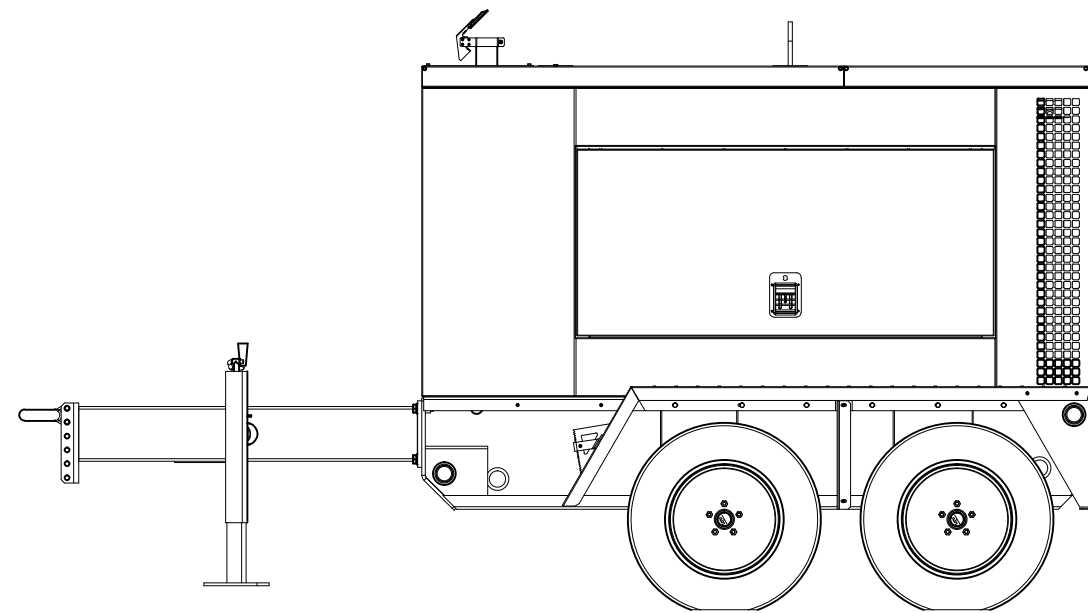


VIEW B
SEE SHEET 3 FOR ENLARGED VIEW

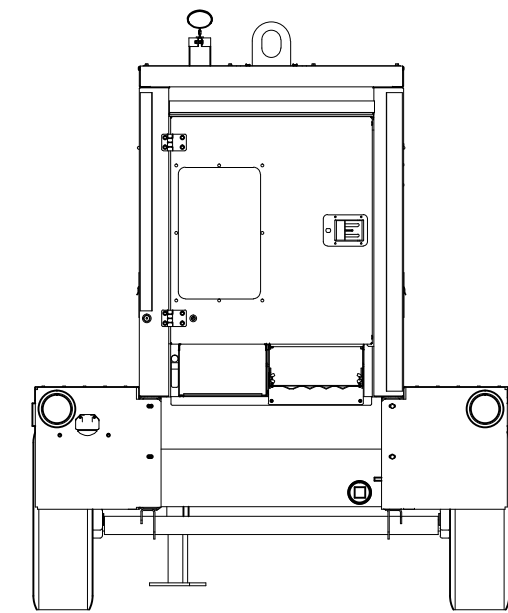


VIEW C
SEE SHEET 4 FOR ENLARGED VIEW

5
A5

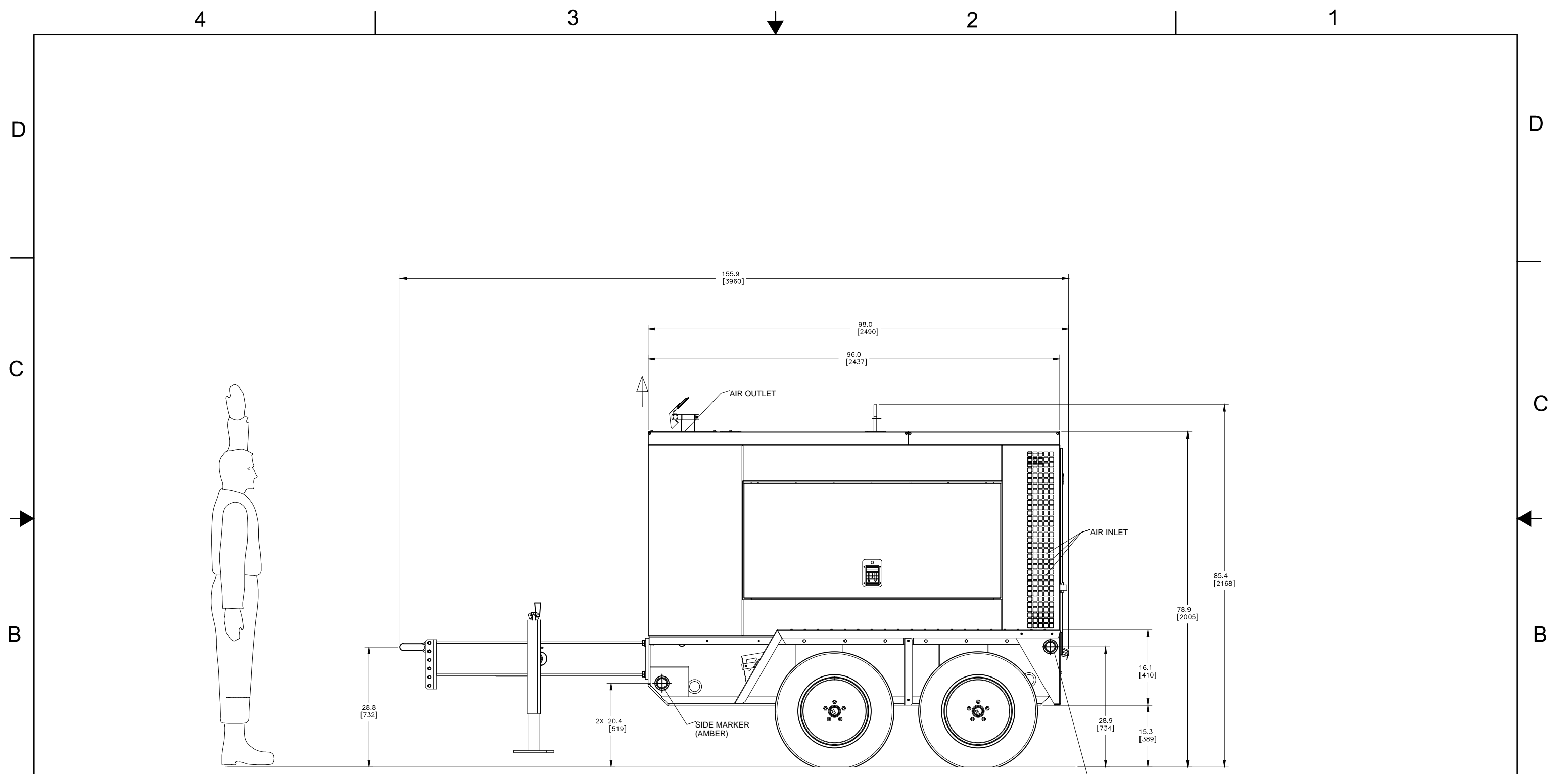


VIEW A
SEE SHEET 2 FOR ENLARGED VIEW



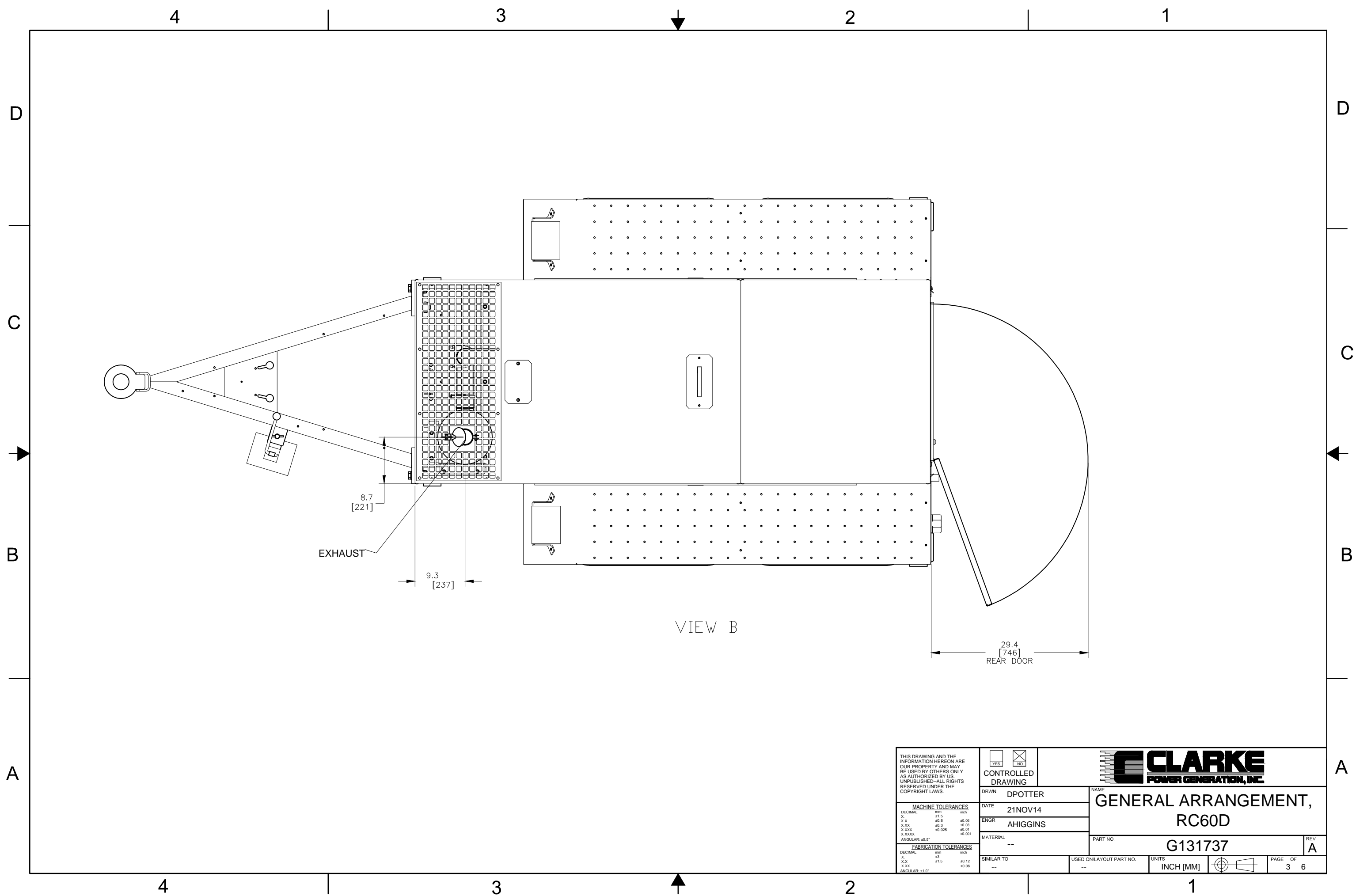
VIEW D
SEE SHEET 4 FOR ENLARGED VIEW

<small>THIS DRAWING AND THE INFORMATION HEREON ARE OUR PROPERTY AND MAY BE USED BY OTHERS ONLY AS AUTHORIZED BY US. UNPUBLISHED-ALL RIGHTS RESERVED UNDER THE COPYRIGHT LAWS.</small>	<input type="checkbox"/> YES <input checked="" type="checkbox"/> NO CONTROLLED DRAWING		NAME GENERAL ARRANGEMENT, RC60D
	DRWN DPOTTER DATE 21NOV14 ENGR AHIGGINS		
MACHINE TOLERANCES DECIMAL mm inch . . ±1.5 ±0.06 .X. ±0.8 ±0.03 .XX ±0.3 ±0.01 .XXX ±0.025 ±0.001 ANGULAR: ±0.5°	MATERIAL --	USED ON LAYOUT PART NO. --	UNITS INCH [MM]
FABRICATION TOLERANCES DECIMAL mm inch . . ±3 ±0.12 .X. ±1.5 ±0.08 ANGULAR: ±1.0°	SIMILAR TO --	PAGE OF 1 6	REV A



VIEW A

THIS DRAWING AND THE INFORMATION HEREON ARE OUR PROPERTY AND MAY BE USED BY OTHERS ONLY AS AUTHORIZED BY US. UNPUBLISHED-ALL RIGHTS RESERVED UNDER THE COPYRIGHT LAWS.	<input type="checkbox"/> YES <input checked="" type="checkbox"/> NO		NAME GENERAL ARRANGEMENT, RC60D
	CONTROLLED DRAWING		PART NO. G131737
MACHINE TOLERANCES DECIMAL mm inch X ±1.5 ±0.06 X.X ±0.8 ±0.03 X.XX ±0.3 ±0.01 X.XXX ±0.025 ±0.001 ANGULAR ±0.5°	DRWN DPOTTER DATE 21NOV14 ENGR AHIGGINS	REV A	USED ON LAYOUT PART NO. --
FABRICATION TOLERANCES DECIMAL mm inch X ±3 ±0.12 X.X ±1.5 ±0.08 ANGULAR ±1.0°	MATERIAL --	UNITS INCH [MM]	PAGE OF 2 6



8.7
[221]

EXHAUST

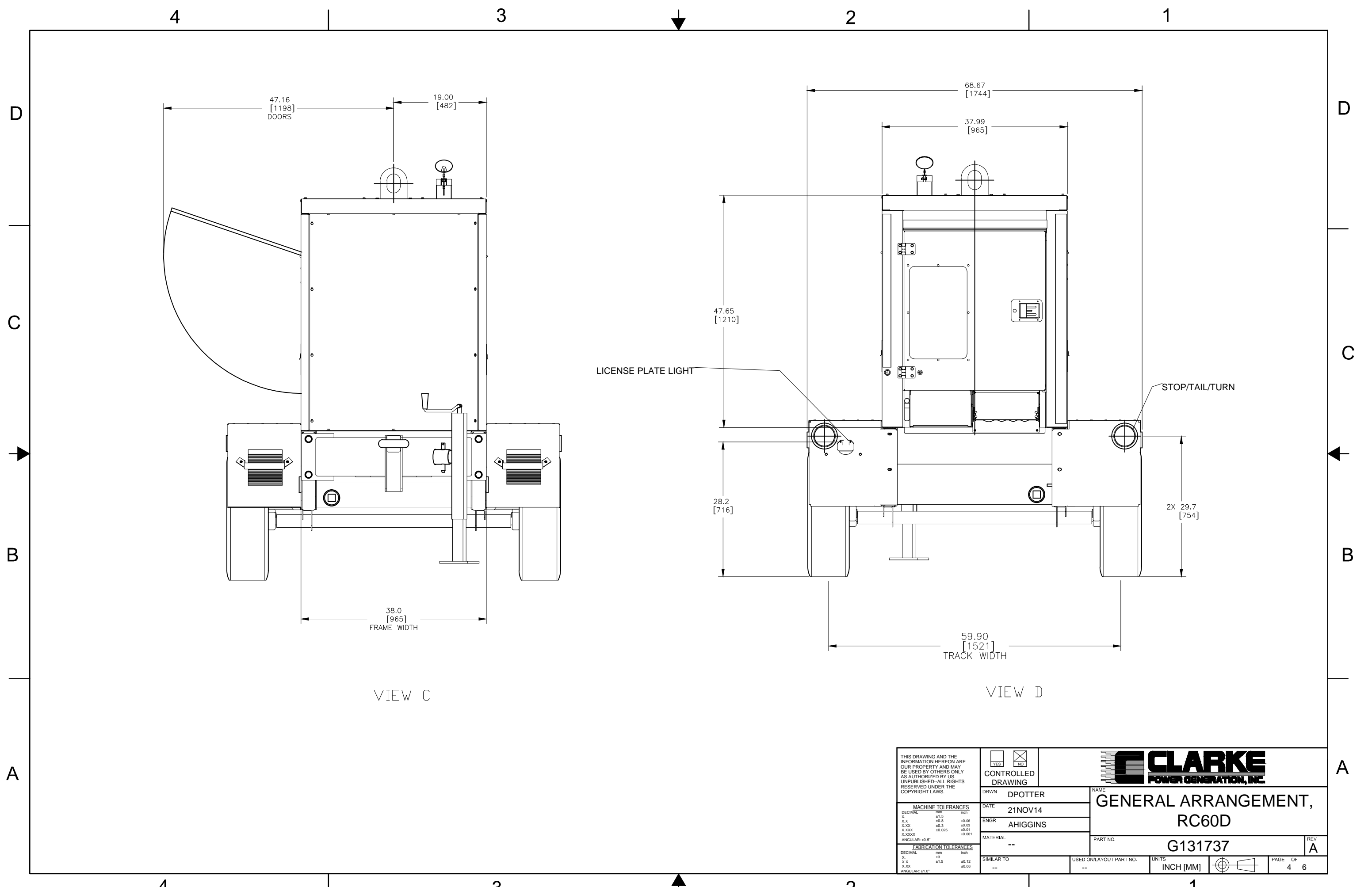
9.3
[237]

VIEW B

29.4
[746]

REAR DOOR

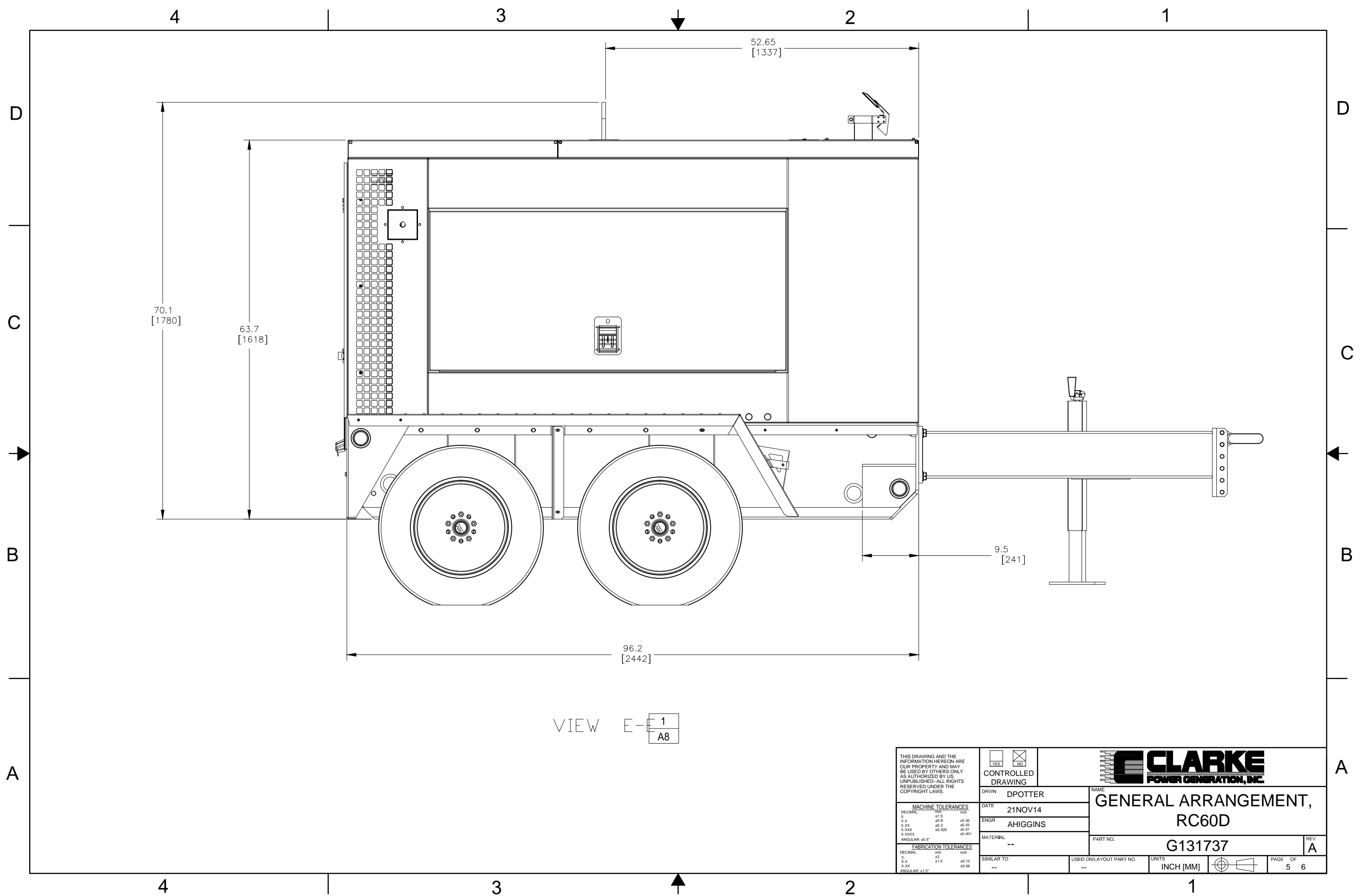
THIS DRAWING AND THE INFORMATION HEREON ARE OUR PROPERTY AND MAY BE USED BY OTHERS ONLY AS AUTHORIZED BY US. UNPUBLISHED-ALL RIGHTS RESERVED UNDER THE COPYRIGHT LAWS.		<input type="checkbox"/> YES <input checked="" type="checkbox"/> NO CONTROLLED DRAWING		NAME GENERAL ARRANGEMENT, RC60D	
MACHINE TOLERANCES DECIMAL mm inch X ±1.5 ±0.06 X.X ±0.8 ±0.03 X.XX ±0.3 ±0.01 X.XXX ±0.025 ±0.001 X.XXXX ±0.001 ANGULAR: ±0.5°		DRWN DPOTTER DATE 21NOV14 ENGR AHIGGINS		PART NO. G131737	REV A
FABRICATION TOLERANCES DECIMAL mm inch X ±3 ±0.12 X.X ±1.5 ±0.08 X.XX ±0.75 ANGULAR: ±1.0°		MATERIAL --	USED ON LAYOUT PART NO. --	UNITS INCH [MM]	PAGE OF 3 6



VIEW C

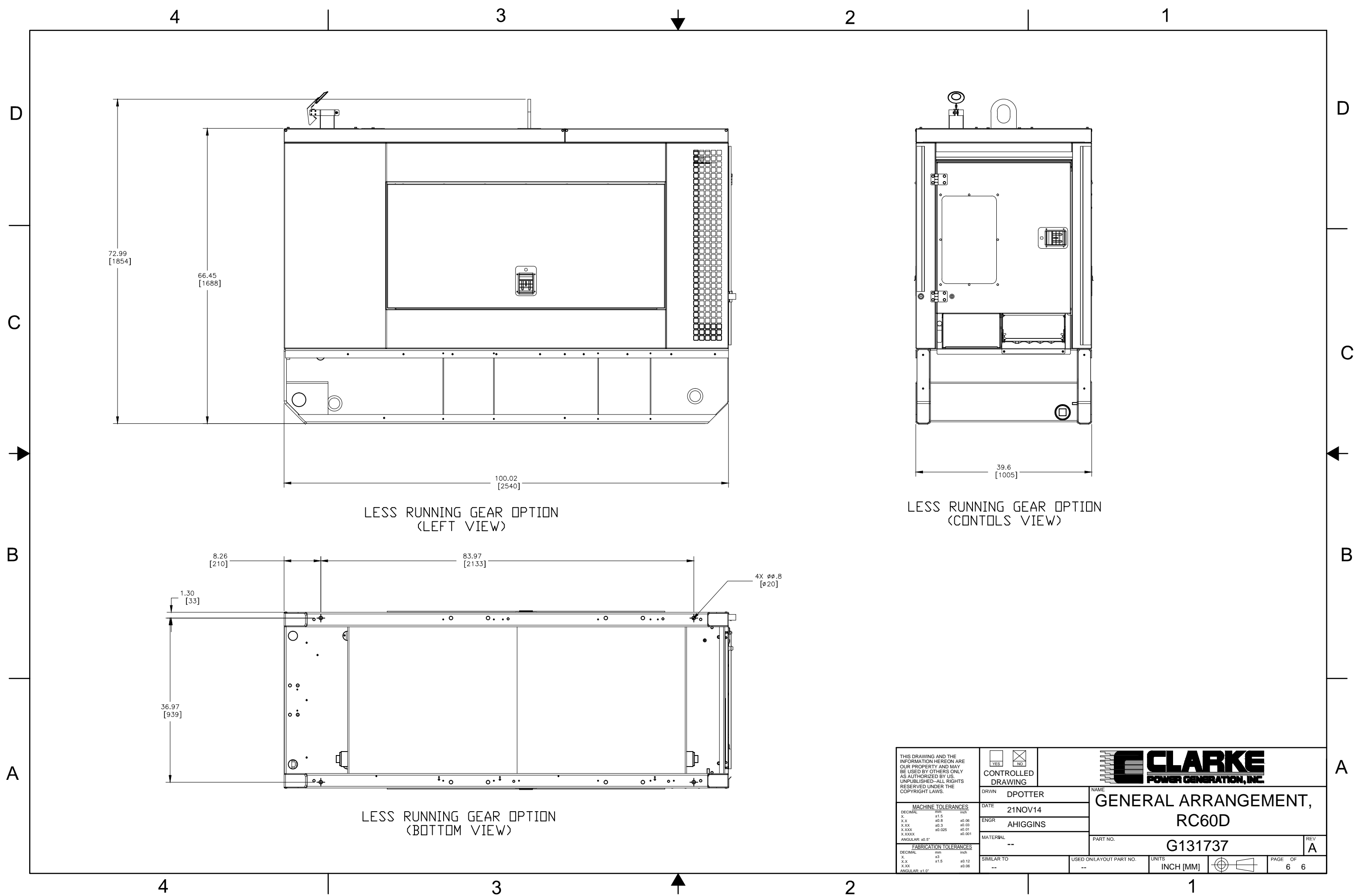
VIEW D

THIS DRAWING AND THE INFORMATION HEREON ARE OUR PROPERTY AND MAY BE USED BY OTHERS ONLY AS AUTHORIZED BY US. UNPUBLISHED-ALL RIGHTS RESERVED UNDER THE COPYRIGHT LAWS.		<input type="checkbox"/> YES <input checked="" type="checkbox"/> NO CONTROLLED DRAWING	
DRWN DPOTTER ENGR AHIGGINS	DATE 21NOV14 MATERIAL --	NAME GENERAL ARRANGEMENT, RC60D	
MACHINE TOLERANCES DECIMAL mm inch X . ±1.5 ±0.06 X.X ±0.8 ±0.03 X.XX ±0.3 ±0.01 X.XXX ±0.025 ±0.001 ANGULAR ±0.5°	FABRICATION TOLERANCES DECIMAL mm inch X . ±3 ±1.2 X.X ±1.5 ±0.08 X.XX ±1.5 ±0.08 ANGULAR ±1.0°	PART NO. G131737	REV A
SIMILAR TO --	USED ON LAYOUT PART NO. --	UNITS INCH [MM]	PAGE OF 4 6



VIEW E-1
A8

THIS DRAWING AND THE INFORMATION HEREON ARE OUR PROPERTY AND MAY BE USED BY OTHERS ONLY AS AUTHORIZED BY US. UNPUBLISHED-ALL RIGHTS RESERVED UNDER THE COPYRIGHT LAWS.		<input type="checkbox"/> YES <input checked="" type="checkbox"/> NO CONTROLLED DRAWING		DRWN DPOTTER DATE 21NOV14 ENGR AHIGGINS	NAME GENERAL ARRANGEMENT, RC60D	
MACHINE TOLERANCES DECIMAL mm inch X. ±1.5 ±0.06 X.X ±0.8 ±0.03 X.XX ±0.3 ±0.01 X.XXX ±0.025 ±0.001 X.XXXX ±0.001 ANGULAR: ±0.5°		MATERIAL -- SIMILAR TO --		PART NO. G131737	REV A	
FABRICATION TOLERANCES DECIMAL mm inch X. ±3 ±0.12 X.X ±1.5 ±0.08 X.XX ±1.5 ±0.08 ANGULAR: ±1.0°		USED ON LAYOUT PART NO. --	UNITS INCH [MM]		PAGE OF 5 6	



THIS DRAWING AND THE INFORMATION HEREON ARE OUR PROPERTY AND MAY BE USED BY OTHERS ONLY AS AUTHORIZED BY US. UNPUBLISHED-ALL RIGHTS RESERVED UNDER THE COPYRIGHT LAWS.		<input type="checkbox"/> YES <input checked="" type="checkbox"/> NO	
CONTROLLED DRAWING		NAME GENERAL ARRANGEMENT, RC60D	
MACHINE TOLERANCES DECIMAL mm inch . . ±1.5 ±0.06 .X. ±0.8 ±0.03 .XX ±0.3 ±0.03 .XXX ±0.025 ±0.01 .XXXX ±0.01 ±0.01 ANGULAR: ±0.5°		DRWN DPOTTER DATE 21NOV14 ENGR AHIGGINS	PART NO. G131737
FABRICATION TOLERANCES DECIMAL mm inch . ±3 ±1.5 ±0.12 .X ±1.5 ±0.08 .XX ±1.5 ±0.08 .XXX ±1.5 ±0.08 ANGULAR: ±1.0°		MATERIAL -- SIMILAR TO --	REV A
		USED ONLY LAYOUT PART NO. --	UNITS INCH [MM]
			PAGE OF 6 6