

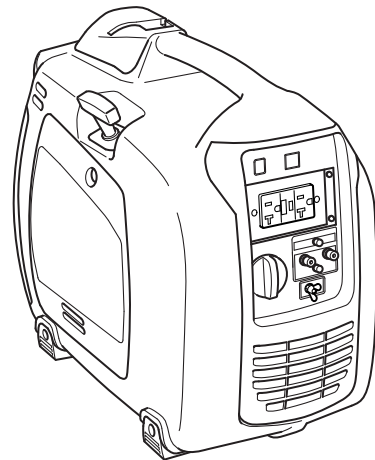
R1100

INSTRUCTIONS FOR USE
MANUAL DE INSTRUCCIONES

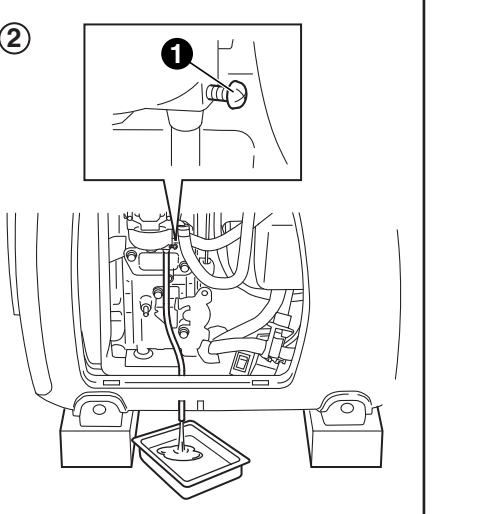
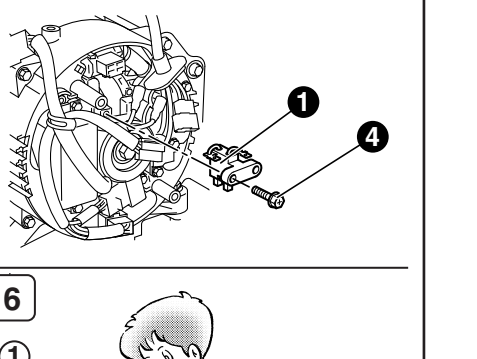
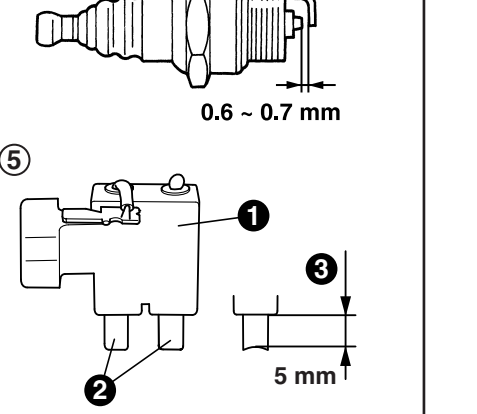
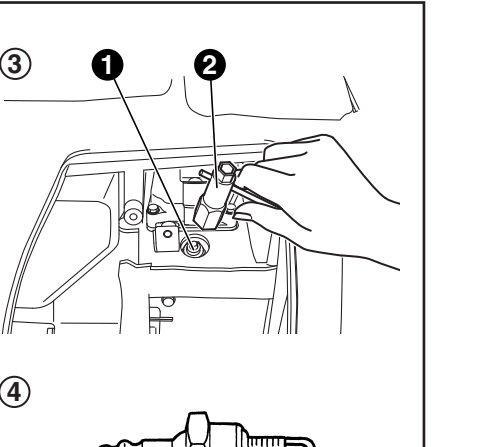
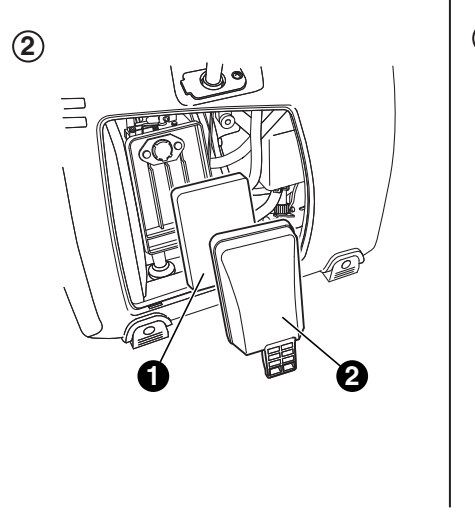
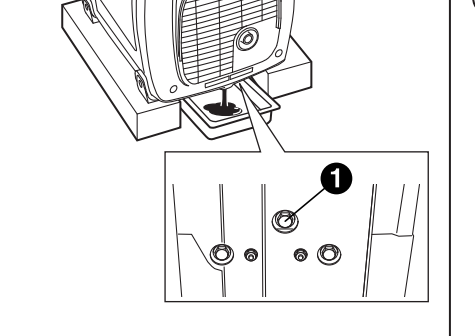
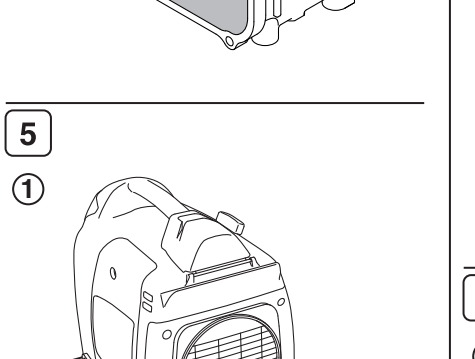
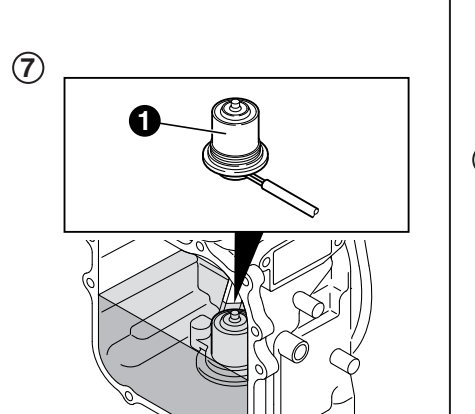
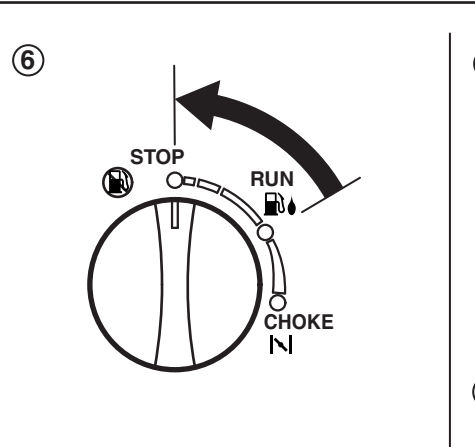
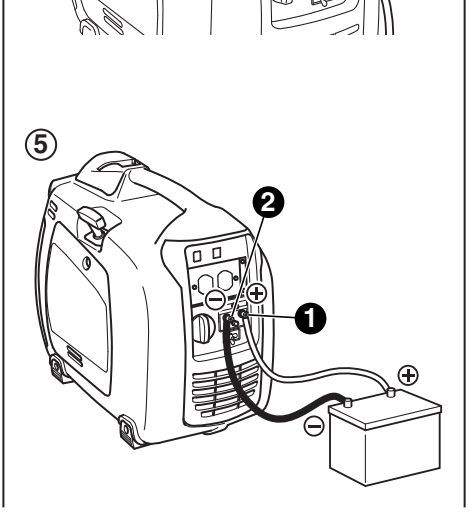
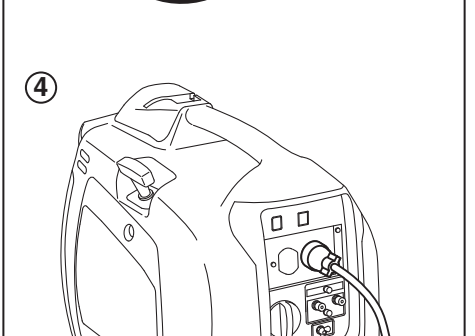
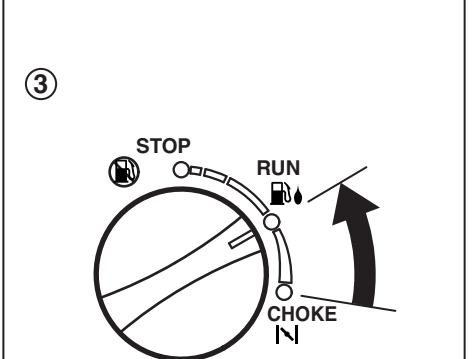
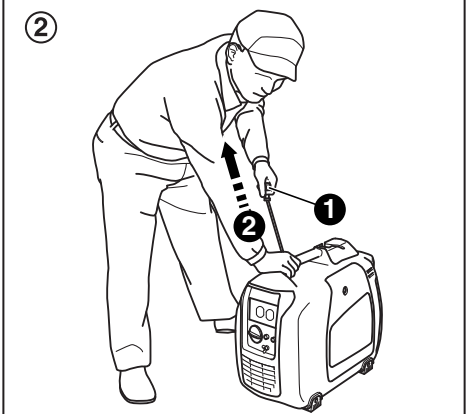
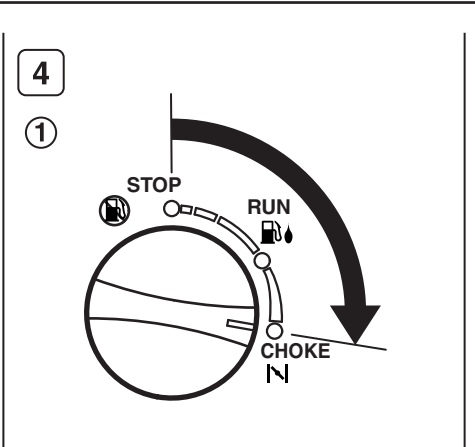
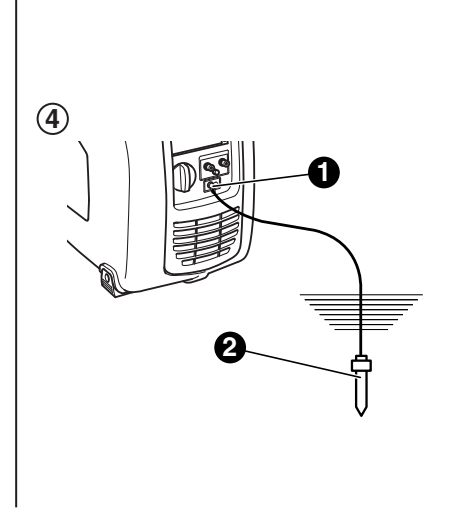
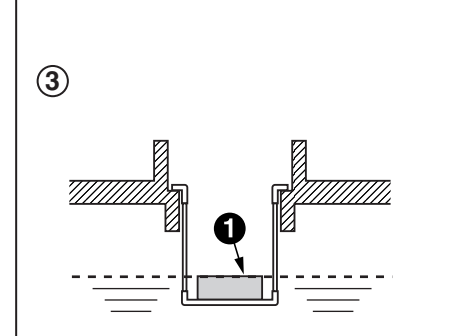
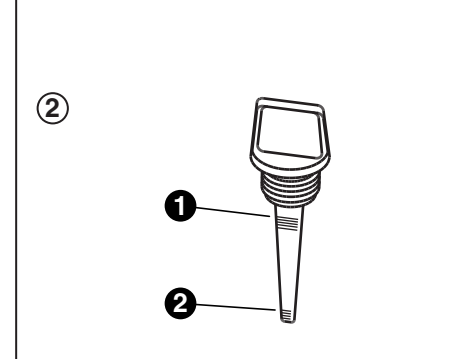
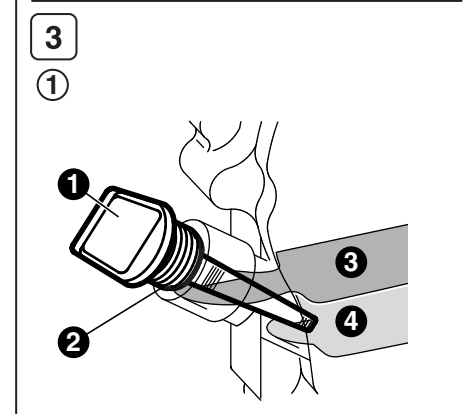
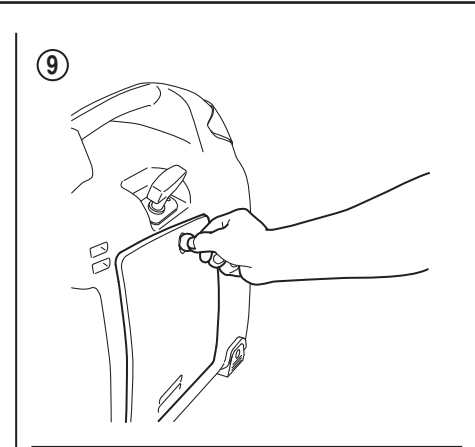
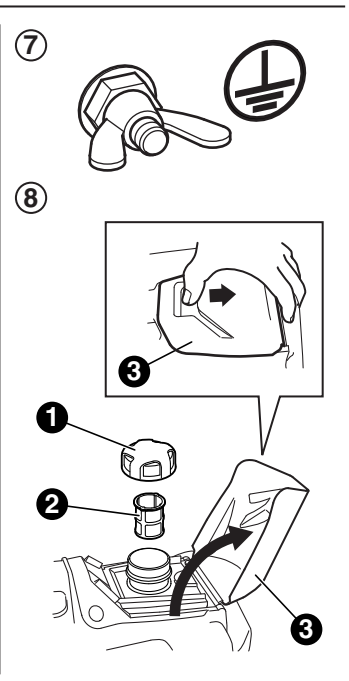
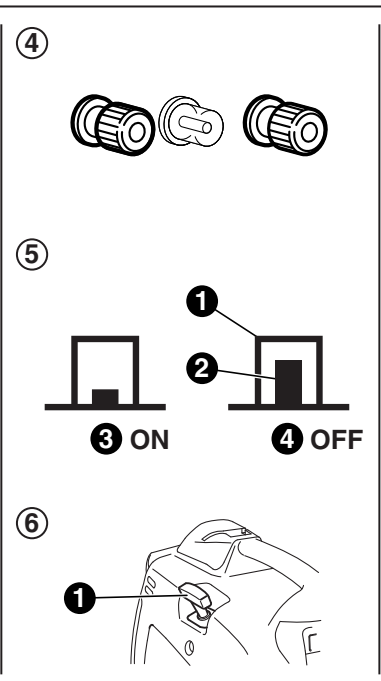
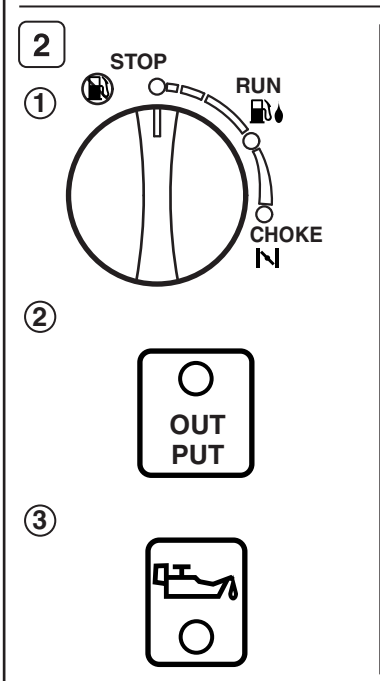
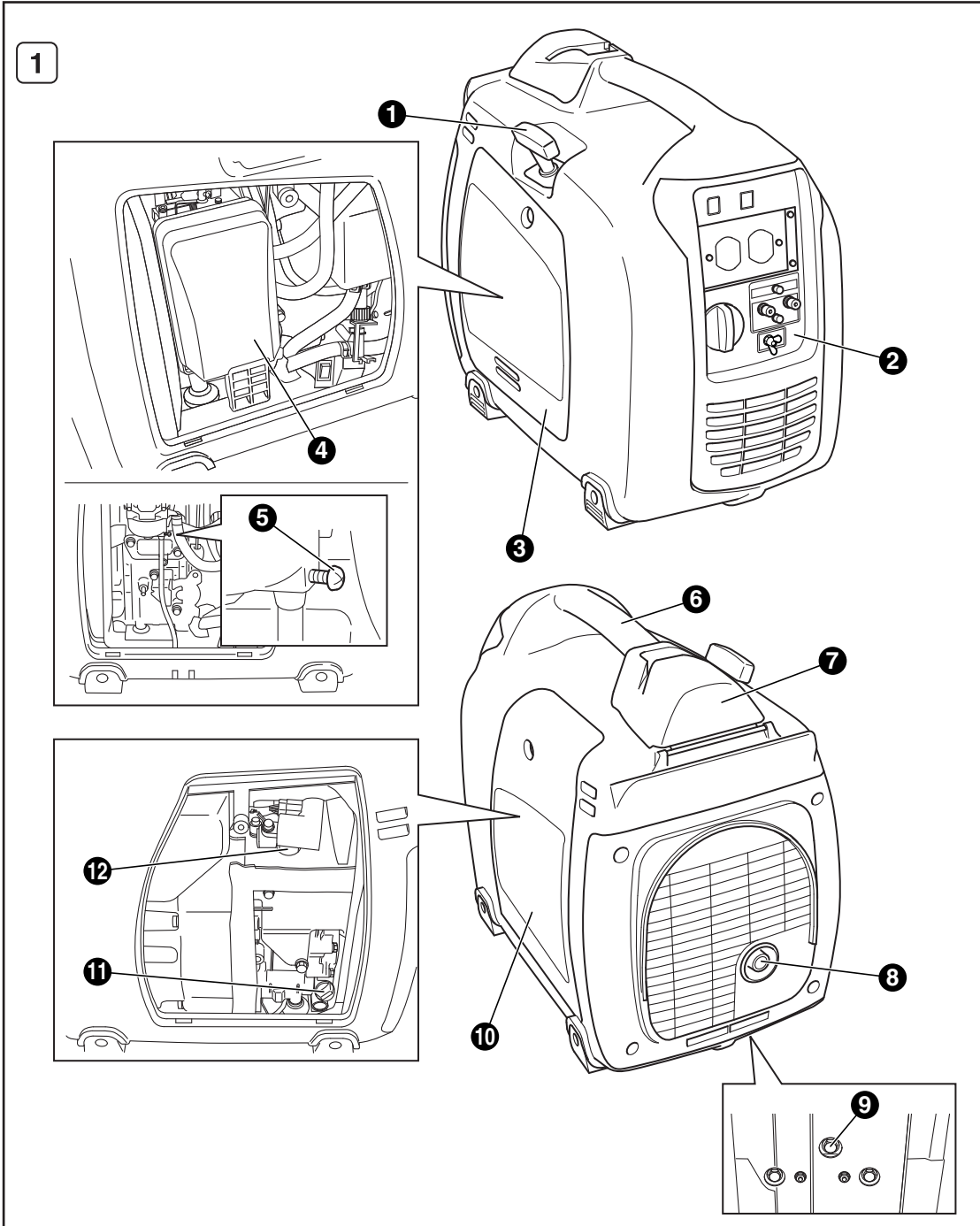


3ZZ9990171

アメリカ



Robin Generator



**WARNING:**

The engine exhaust from this product contains chemicals known to the State of California to cause cancer, birth defects or other reproductive harm.

NOTICE

FEDERAL EMISSION COMPONENT DEFECT WARRANTY and CALIFORNIA EMISSION CONTROL WARRANTY are applicable to only those engines/generators complied with EPA (Environmental Protection Agency) and CARB (California Air Resources Board) emission regulations in the U.S.A.

NOTICE

To the engines/generators exported to and used in the countries other than the U.S.A., warranty service shall be performed by the distributor in each country in accordance with the standard Robin engine/generator warranty policy as applicable.

AIR INDEX

To show compliance with California emission regulations, a hangtag has been provided displaying the Air Index level and durability period of this engine.

The Air Index level defines how clean an engine's exhaust is over a period of time. A bar graph scaled from "0" (most clean) to "10" (least clean) is used to show an engine's Air Index level. A lower Air Index level represents cleaner exhaust from an engine.

The period of time (in hours) that the Air Index level is measured is known as the durability period. Depending on the size of the engine, a selection of time periods can be used to measure the Air Index level (see below).

<u>Descriptive Term</u>	<u>Applicable to Emissions</u>	<u>Durability Period</u>
Moderate	-	50 hours (engine from 0 to 80 cc)
		125 hours (engine greater than 80 cc)
Intermediate	-	125 hours (engine from 0 to 80 cc)
		250 hours (engine greater than 80 cc)
Extended	-	300 hours (engine from 0 to 80 cc)
		500 hours (engine greater than 80 cc)

Notice : This hangtag must remain on this engine or piece of equipment, and only be removed by the ultimate purchaser before operation.

FEDERAL EMISSIONS COMPONENT DEFECT WARRANTY

EMISSIONS COMPONENT DEFECT WARRANTY COVERAGE – This emission warranty is applicable in all States, except the state of California.

Fuji Heavy Industries Ltd. and Robin America Inc., Wood Dale Illinois, (herein "ROBIN AMERICA") warrant(s) to the initial retail purchaser and each subsequent owner, that this Nonroad engine (herein "engine") has been designed, built, and equipped to conform at the time of initial sale to all applicable regulations of the U.S.

Environmental Protection Agency (EPA), and that the engine is free of defects in materials and workmanship which would cause this engine to fail to conform with EPA regulations during its warranty period.

For the components listed under PARTS COVERED, the service dealer authorized by ROBIN AMERICA will, at no cost to you, make the necessary diagnosis, repair, or replacement necessary to ensure that the engine complies with applicable U.S. EPA regulations.

EMISSION COMPONENT DEFECT WARRANTY PERIOD

The warranty period for this engine begins on the date of sale to the initial purchaser and continues for a period of two years.

PARTS COVERED

Listed below are the parts covered by the Emission Components Defect Warranty. Some of the parts listed below may require scheduled maintenance and are warranted up to the first scheduled replacement point for that part.

- (1) Fuel Metering System
 - (i) Carburetor and internal parts (and/or pressure regulator or fuel injection system).
 - (ii) Air/fuel ratio feedback and control system, if applicable.
 - (iii) Cold start enrichment system, if applicable.
 - (iv) Regulator Assy (gaseous fuel, if applicable)
- (2) Air Induction System
 - (i) Intake manifold, if applicable
 - (ii) Air filter.
- (3) Ignition System
 - (i) Spark plugs.
 - (ii) Magneto or electronic ignition system.
 - (iii) Spark advance/retard system, if applicable.
- (4) Exhaust manifold, if applicable
- (5) Miscellaneous Items Used in Above Systems
 - (i) Electronic controls, if applicable
 - (ii) Hoses, belts, connectors, and assemblies.
 - (iii) Filter lock Assy (gaseous fuel, if applicable)

OBTAINING WARRANTY SERVICE

To obtain warranty service, take your engine to the nearest authorized Robin America service dealer. Bring your sales receipts indicating date of purchase for this engine. The service dealer authorized by ROBIN AMERICA will perform the necessary repairs or adjustments within a reasonable amount of time and furnish you with a copy of the repair order. All parts and accessories replaced under this warranty become the property of ROBIN AMERICA.

WHAT IS NOT COVERED

*Conditions resulting from tampering, misuse, improper adjustment (unless they were made by the service dealer authorized by ROBIN AMERICA during a warranty repair), alteration, accident, failure to use the recommended fuel and oil, or not performing required maintenance services.

*The replacement parts used for required maintenance services.

*Consequential damages such as loss of time, inconvenience, loss of use of the engine or equipment, etc.

*Diagnosis and inspection charges that do not result in warranty-eligible service being performed.

*Any non-authorized replacement part, or malfunction of authorized parts due to use of non-authorized parts.

OWNER'S WARRANTY RESPONSIBILITIES

As the engine owner, you are responsible for the performance of the required maintenance listed in your owner's manual. ROBIN AMERICA recommends that you retain all receipts covering maintenance on your engine, but ROBIN AMERICA cannot deny warranty solely for the lack of receipts or for your failure to ensure the performance of all scheduled maintenance.

As the engine owner, you should however be aware that ROBIN AMERICA may deny warranty coverage if your engine or a part has failed due to abuse, neglect, improper maintenance or unapproved modifications.

You are responsible for presenting your engine to the nearest service dealer authorized by ROBIN AMERICA when a problem exists.

If you have any questions regarding your warranty rights and responsibilities, you should contact the Robin America customer service department at 1-630-350-8200 for the information.

THINGS YOU SHOULD KNOW ABOUT THE EMISSION CONTROL SYSTEM WARRANTY MAINTENANCE AND REPAIRS

You are responsible for the proper maintenance of the engine. You should keep all receipts and maintenance records covering the performance of regular maintenance in the event questions arise. These receipts and maintenance records should be transferred to each subsequent owner of the engine. ROBIN AMERICA reserves the right to deny warranty coverage if the engine has not been properly maintained. Warranty claims will not be denied, however, solely because of the lack of required maintenance or failure to keep maintenance records.

MAINTENANCE, REPLACEMENT OR REPAIR OF EMISSION CONTROL DEVICES AND SYSTEMS MAY BE PERFORMED BY ANY REPAIR ESTABLISHMENT OR INDIVIDUAL; HOWEVER, WARRANTY REPAIRS MUST BE PERFORMED BY A SERVICE DEALER AUTHORIZED BY ROBIN AMERICA. THE USE OF PARTS THAT ARE NOT EQUIVALENT IN PERFORMANCE AND DURABILITY TO AUTHORIZED PARTS MAY IMPAIR THE EFFECTIVENESS OF THE EMISSION CONTROL SYSTEM AND MAY HAVE A BEARING ON THE OUTCOME OF A WARRANTY CLAIM.

If other than the parts authorized by ROBIN AMERICA are used for maintenance replacements or for the repair of components affecting emission control, you should assure yourself that such parts are warranted by their manufacturer to be equivalent to the parts authorized by ROBIN AMERICA in their performance and durability.

HOW TO MAKE A CLAIM

All repair qualifying under this limited warranty must be performed by a service dealer authorized by ROBIN AMERICA. In the event that any emission-related part is found to be defective during the warranty period, you shall notify Robin America customer service department at 1-630-350-8200 and you will be advised of the appropriate warranty service dealer or service providers where the warranty repair can be performed.

CALIFORNIA EMISSION CONTROL WARRANTY STATEMENT

YOUR WARRANTY RIGHTS AND OBLIGATIONS

The California Air Resources Board and Fuji Heavy Industries Ltd. (herein "FUJI") are pleased to explain the emission control system warranty on your 2005 and later Small Off-Road engine (herein "engine"). In California, new engine must be designed, built and equipped to meet the State's stringent anti-smog standards. FUJI must warrant the emission control system on your engine for the periods of time described below, provided there has been no abuse, neglect or improper maintenance of your engine. Your emission control system may include parts such as the carburetor or fuel-injection system, and the ignition system. Also included may be hoses, belts, connectors and other emission-related assemblies. Where a warrantable condition exists, FUJI will repair your engine at no cost to you including diagnosis, parts and labor.

MANUFACTURER'S WARRANTY COVERAGE:

The 2005 and later engines are warranted for two (2) years. If any emission related part on your engine is defective, the part will be repaired or replaced by FUJI.

OWNER'S WARRANTY RESPONSIBILITIES :

-As the engine owner, you are responsible for the performance of the required maintenance listed in your Owner's Manual. FUJI recommends that you retain all receipts covering maintenance on your engine, but FUJI cannot deny warranty solely for the lack of receipts or for your failure to ensure the performance of all scheduled maintenance.

-As the engine owner, you should ,however, be aware that FUJI may deny you warranty coverage if your engine or a part has failed due to abuse, neglect, improper maintenance or unapproved modifications.

-You are responsible for presenting your engine to a service dealer or warranty station authorized by ROBIN AMERICA Inc. 940 Lively Blvd., Wood Dale, IL 60191 (herein ROBIN AMERICA) as soon as a problem exists. The warranty repairs should be completed in a reasonable amount of time, not to exceed 30 days.

If you have any questions regarding your warranty rights and responsibilities, you should contact the Robin America Inc. Customer Service Department at 1-630-350-8200

LIMITED WARRANTY on Emission Control Systems – California Only –

FUJI warrants to the owner of the 2005 and later engine that the engine 1)has been designed, built and equipped so as to conform at the time of manufacture with the applicable regulations of the California Air Resources Board, and (2) is free from defects in materials and workmanship that could cause it to fail to conform with those regulations as may be applicable in the terms and conditions stated below.

A. COMMENCEMENT DATE

The warranty period begins on the date the engine is delivered to a first retail purchaser.

B. LENGTH OF COVERAGE

FUJI warrants to a first retail purchaser and each subsequent purchaser that the engine is free from defects in materials and workmanship that cause the failure of a warranted emission-related part for a period of two (2) years after the date of delivery to the first retail purchaser.

C. WHAT IS COVERED:

1. REPAIR OR REPLACEMENT PARTS

Repairs and replacement of any warranted part will be performed at no charge to you by an authorized service dealer or a warranty station. You may contact the Robin America Inc. Customer Service Department at 1-630-350-8200 to obtain the name of the nearest appropriate location where your warranty repairs are performed.

2. WARRANTY PERIOD

This warranty continues for a period of two (2) years and applies only to the repair, replacement or adjustment of the component parts that are not scheduled for replacement as required maintenance. Further, component parts which are scheduled only for regular inspection to the effect of "repair or replace as necessary" are warranted for the warranty period. Any warranted part which is scheduled for replacement as required maintenance is warranted for the period of time up to the first scheduled replacement point for that part.

3. DIAGNOSIS

You will not be charged for diagnostic labor that leads to the determination that a warranted part is defective, if the diagnostic work is performed at an authorized service dealer or warranty station.

4. DAMAGES

If a warranted part failed causing damage to other engine components, consult an warranty station.

D. WHAT IS NOT COVERED

1. This limited warranty does not cover any part which malfunctions, fails or is damaged due to failure to follow the maintenance and operating instructions set forth in the 2005 and later Owner's Manual including:

(1) improper maintenance of any warranted parts

(2) improper installation, adjustment or repair of the engine or of any warranted part unless performed by an authorized service dealer

(3) failure to follow recommendations on fuel use contained in the 2005 and later Owner's Manual

(4) repairs performed outside of the authorized warranty service dealers

(5) use of parts which are not authorized by FUJI.

2. Add-on or modified parts

This warranty does not cover any part that malfunctions, fails or is damaged due to alterations by changing, adding to or removing parts from the engine.

3. Expenses incurred by processing warranty claims

FUJI, any authorized service dealer and warranty station shall not be liable for any loss of use of the engine, for any alternative usage, for any damage to goods, loss of time or inconvenience.

E. HOW TO FILE A CLAIM

All repairs qualifying under this Limited Warranty must be performed by a dealer who sold you the engine or warranty station authorized by ROBIN AMERICA. In the event that any emission-related part is found to be defective during the warranty period, you must notify the Robin America Inc. Customer Service Department at 1-630-350-8200 and you will be advised of the appropriate warranty service facilities where the warranty repair is to be performed.

F. WHERE TO OBTAIN WARRANTY SERVICE

It is recommended that warranty service be performed by the authorized dealer who sold you the engine, although warranty service will be performed by any authorized service dealers or warranty stations anywhere in the United States.

When warranty repair is needed, the engine must be brought to an authorized service dealer or warranty station's place of business during normal business hours. In all cases, a reasonable time, not to exceed 30 days, must be allowed for the warranty repair to be completed after the engine is received by the authorized service dealer or warranty station.

G. MAINTENANCE, REPLACEMENT AND REPAIR OF EMISSION-RELATED PARTS

Only warranted engine replacement parts approved by FUJI should be used in the performance of any warranty maintenance or repairs on emission-related parts. If other than authorized parts are used for maintenance, replacement or repair of components affecting emission control, you should assure yourself that such parts are warranted by their manufacturer to be equivalent to authorized parts in performance and durability. FUJI, however, assumes no liability under this warranty with respect to parts other than authorized parts. The use of non-authorized replacement parts does not invalidate the warranty on other components unless the non-authorized parts cause damage to warranted parts.

I. MAINTENANCE STATEMENTS

It is your responsibility to have all scheduled inspection and maintenance services performed at the times recommended in the 2005 and later Owner's Manual and to retain proof that inspection and maintenance services are performed at the times when recommended. FUJI will not deny a warranty claim solely because you have no record of maintenance; however, FUJI may deny a warranty claim if your failure to perform required maintenance resulted in the failure of warranted part. The proof which you maintain should be given to each subsequent owner of the engine. You are responsible for performing the scheduled maintenance described below based on the procedures specified in the 2005 and later Owner's Manual. The scheduled maintenance below is based on a normal engine operating schedule.

PROCEDURE

- 1) Change engine oil
- 2) Clean air cleaner (element)
- 3) Replace air cleaner element
- 4) Clean and adjust spark plug and electrodes

INTERVAL

- : Initial 20 hours and every 100 hours afterward
- : Every 50 hours
- : Every 200 hours
- : Every 200 hours

Note: More frequent maintenance may be necessary under dusty, dirty or severe conditions.

H. PARTS COVERED UNDER THE CALIFORNIA EMISSIONS WARRANTY

- (1) Fuel Metering System
 - (i) Carburetor and internal parts (and/or pressure regulator or fuel injection system).
 - (ii) Air/fuel ratio feedback and control system, if applicable.
 - (iii) Cold start enrichment system, if applicable.
 - (iv) Regulator assy (gaseous fuel, if applicable)
- (2) Air Induction System
 - (i) Intake manifold, if applicable
 - (ii) Air filter.
- (3) Ignition System
 - (i) Spark plugs.
 - (ii) Magneto or electronic ignition system.
 - (iii) Spark advance/retard system, if applicable.
- (4) Exhaust manifold, if applicable
- (5) Miscellaneous Items Used in Above Systems
 - (i) Electronic controls, if applicable
 - (ii) Hoses, belts, connectors, and assemblies.
 - (iii) Filter lock assy (gaseous fuel, if applicable)

FOREWORD

Thank you very much for purchasing a **ROBIN GENERATOR**.

This manual covers operation and maintenance of the **ROBIN GENERATOR**.

This **ROBIN GENERATOR** can be used for general electrical equipments, appliances, lamps, tools as an AC power source. With regards to DC application, the terminals are used only for charging 12 volt battery. Never use this generator for any other purposes.

Please take a moment to familiarize yourself with the proper operation and maintenance procedures in order to maximize the safe and efficient use of this product.

Keep this owner's manual at hand, so that you can refer to it at any time.

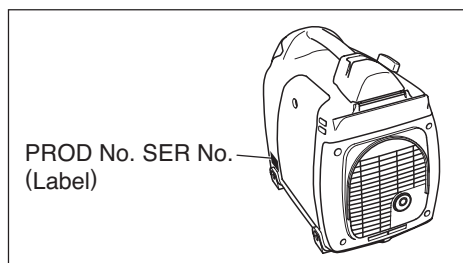
Due to constant efforts to improve our products, certain procedures and specifications are subject to change without notice.

When ordering spare parts, always give us the **MODEL, PRODUCTION NUMBER (PROD No.)** and **SERIAL NUMBER (SER No.)** of your Product.

Please fill in the following blanks after checking the production number on your product.
(Location of label is different depending on the product model.)

PROD NO.									

SER NO.									



CONTENTS

1. SAFETY PRECAUTIONS	2
2. COMPONENTS	5
3. CONTROLS AND INDICATORS	5
4. PRE-OPERATION CHECKS	6
5. OPERATING PROCEDURES	7
6. WATTAGE INFORMATION	10
7. SPARK ARRESTER	11
8. MAINTENANCE SCHEDULE	12
9. "HOW-TO" MAINTENANCE	14
10. PERIODIC OPERATION AND INSPECTION	14
11. TRANSPORTING	15
12. PREPARATION FOR STORAGE	15
13. TROUBLESHOOTING	16
14. SPECIFICATIONS	17
15. WIRING DIAGRAM	18

NOTE Please refer to the illustrations on the back page of the front cover or back cover for Fig. ① to ⑥ indicated in the sentence.

1. SAFETY PRECAUTIONS

Please make sure you review each precaution carefully.

Pay special attention to statement preceded by the following words.

⚠ WARNING “WARNING” indicates a strong possibility of severe personal injury or loss of life if instructions are not followed.

⚠ CAUTION “CAUTION” indicates a possibility of personal injury or equipment damage if instructions are not followed.

⚠ WARNING

Do not operate the generator near gasoline or gaseous fuel because of the potential danger of explosion or fire.

Do not fill the fuel tank with fuel while the engine is running. Do not smoke or use open flame near the fuel tank. Be careful not to spill fuel during refueling. If fuel is spilt, wipe it off and let dry before starting the engine.



⚠ WARNING

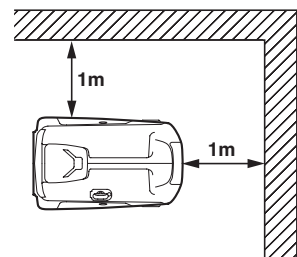
Do not place in flammables near the generator.

Be careful not to place fuel, matches, gunpowder, oily cloths, straw, trash, or any other in flammables near the generator.

⚠ WARNING

Do not operate the generator inside a room, cave, tunnel, or other insufficiently ventilated area. Always operate it in a well-ventilated area, otherwise the engine may become overheated, and the poisonous carbon monoxide gas contained in the exhaust gases will endanger human lives. Keep the generator at least 1 meter (3 feet) away from any structure or building during use.

If the generator must be used indoors, the area must be well-ventilated and extreme caution must be taken regarding the discharge of exhaust gases.



⚠ WARNING

Do not enclose the generator nor cover it with a box.

The generator has a built-in forced air cooling system, and may become overheated if it is enclosed.

If generator has been covered to protect it from the weather during non use, be sure to remove it and keep it well away from the area during generator use.

⚠ WARNING

Operate the generator on a level surface.

It is not necessary to prepare a special foundation for the generator.

However, the generator will vibrate on an irregular surface, so choose a level place without surface irregularities.

If the generator is tilted or moved during operation, fuel may spill and / or the generator may tip over, causing a hazardous situation.

Proper lubrication cannot be expected if the generator is operated on a steep incline or slope. In such a case, piston seizure may occur even if the oil is above the upper level.

⚠ WARNING

Pay attention to the wiring or extension cords from the generator to the connected device.

If the wire is under the generator or in contact with a vibrating part, it may break and possibly cause a fire, generator burnout, or electric shock hazard.

Replace damaged or worn cords immediately.



⚠ WARNING

Do not operate in rain, in wet or damp conditions, or with wet hands.
The operator may suffer severe electric shock if the generator is wet due to rain or snow.

⚠ WARNING

If wet, wipe and dry it well before starting. Do not pour water directly over the generator, nor wash it with water.

⚠ WARNING

Be extremely careful that all necessary electrical grounding procedures are followed during each and every use. Failure to do so can be fatal.

⚠ WARNING

Do not contact the generator to a commercial power line. Connection to a commercial power line may short circuit the generator and ruin it or cause electric shock hazard. Use the transfer switch for connecting to domestic circuit.

**⚠ WARNING**

No smoking while handling the battery. The battery emits flammable hydrogen gas, which can explode if exposed to electric arcing or open flame. Keep the area well-ventilated and keep open flames/sparks away when handling the battery.

**⚠ WARNING**

Engine becomes extremely hot during and for some time after operation. Keep combustible materials well away from generator area. Be very careful not to touch any parts of the hot engine especially the muffler area or serious burns may result.

**⚠ WARNING**

Keep children and all bystanders at a safe distance from work areas.

⚠ WARNING

It is absolutely essential that you know the safe and proper use of the power tool or appliance that you intend to use. All operators must read, understand and follow the tool/appliance owners manual. Tool and appliance applications and limitations must be understood. Follow all directions given on labels and warnings. Keep all instruction manuals and literature in a safe place for future reference.

⚠ WARNING

Use only "LISTED" extension cords.
When a tool or appliance is used outdoors, use only extension cords marked "For Outdoor Use". Extension cords, when not in use should be stored in a dry and well ventilated area.

⚠ WARNING

Always switch off generator's AC circuit breaker and disconnect tools or appliances when not in use, before servicing, adjusting, or installing accessories and attachments.

⚠ CAUTION

Make sure the engine is stopped before starting any maintenance, servicing or repair.

NOTE :

Make sure maintenance and repair of the generator set are performed by properly trained personnel only.

Symbols and Meanings

In accordance with the European requirements (EEC Directives), the specified symbols as shown in the following table are used for the products and this instruction manual.

	<i>Read the operator's instruction manual.</i>		<i>Fire, open light and smoking prohibited.</i>
	<i>Stay clear of the hot surface.</i>		<i>Caution, risk of electric shock.</i>
	<i>Exhaust gas is poisonous. Do not operate in an unventilated room.</i>		<i>Do not connect the generator to the commercial power lines.</i>
	<i>Stop the engine before refueling.</i>		<i>HOT, avoid touching the hot area.</i>

	<i>ON (power and Engine)</i>		<i>IN-position of a bistable push control</i>		<i>Engine start (Electric start)</i>
	<i>OFF (power and Engine)</i>		<i>Protective earth (ground)</i>		<i>Engine stop</i>
	<i>Alternating current</i>		<i>Fuse</i>		<i>Gasoline</i>
	<i>Direct current</i>		<i>Engine oil</i>		<i>Fast</i>
	<i>Plus ; positive polarity</i>		<i>Add oil</i>		<i>Slow</i>
	<i>Minus ; negative polarity</i>		<i>Battery charging condition</i>		<i>Fuel start</i>
	<i>OUT-position of a bistable push control</i>		<i>Choke ; cold starting aid</i>		<i>Fuel stop</i>

P_r	<i>Rated power (kW)</i>	COP	<i>Continuous power</i>	$\cos\phi_r$	<i>Rated power factor</i>
f_r	<i>Rated frequency (Hz)</i>	U_r	<i>Rated voltage (V)</i>	I_r	<i>Rated current (A)</i>
H_{max}	<i>Maximum site altitude above sea-level (m)</i>	T_{max}	<i>Maximum ambient temperature (°C)</i>	m	<i>Mass (kg)</i>

2. COMPONENTS (See Fig. ①)

NOTE

Please refer to the illustrations on the back page of the front cover or back cover for Fig. ① to ⑥ indicated in the sentence.




- ① RECOIL STARTER (HANDLE)
- ② CONTROL PANEL
- ③ SIDE PANEL (L)
- ④ AIR CLEANER
- ⑤ FUEL DRAIN SCREW
- ⑥ CARRING HANDLE
- ⑦ TANK CAP COVER
- ⑧ EXHAUST OUTLET
- ⑨ OIL DRAIN PLUG
- ⑩ SIDE PANEL (R)
- ⑪ OIL GAUGE (OIL FILLER)
- ⑫ SPARK PLUG CAP

3. CONTROLS AND INDICATORS

(See Fig. ②)

1. ENGINE SWITCH (See Fig. ②-①)

The engine switch is designed for easy operation with the interlocking mechanism between the fuel cock and the choke furnished.

CHOKE 	To start the engine, turn the knob to the position. (Choke valve is closed.)
RUN 	Keep the knob in this position after the engine starts. (The engine can be started with the knob at this position when the engine is warm.)
STOP 	To stop the engine, return the knob to the position. (The fuel cock is closed as well.)

2. OUTPUT LAMP (See Fig. ②-②)

OUTPUT LAMP (Green) is turned on while generating properly.

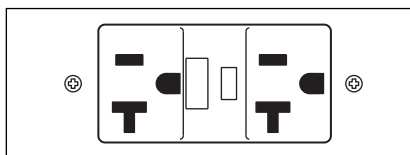
3. OIL SENSOR LAMP (See Fig. ②-③)

When the level of the engine oil falls below the prescribed value, the alarm lamp lights up and the engine stops automatically. When the engine stops due to oil shortage, it can not be started anymore even by pulling the start knob (just the alarm lamp flickers). In such a case, replenish engine oil up to the mouth of the oil filling port.

(Refer to page 6 for details about the oil replenishing procedure).

4. AC RECEPTACLES

AC electric power is available through this receptacle. Use a ground type, three-leg plug as shown.



⚠ CAUTION

- Do not plug more than two appliances into the generator at a time.
- Do not put foreign objects into the plug receptacle.

5. AC CIRCUIT BREAKER

AC circuit breaker will cut off electric current when the current exceeds its limit or a malfunction occurs in the connected appliances.

Check for excessive current consumption or defects in the appliances. After making sure everything is in order, push the circuit breaker button.

⚠ CAUTION

If circuit breaker continues to be activated, discontinue use and check generator and/or appliance for malfunction with their respective service representatives. Never interfere with the operation of the circuit breaker knob or keep pushing it in the "ON" position.

6. DC TERMINALS (See Fig. ②-④)

DC electric power for battery charge is available.

- Red is positive (+) terminal.
- Black is negative (-) terminal.

7. DC CIRCUIT BREAKER (See Fig. 2-5)

DC circuit breakers shut off electric current when the current exceeds its limit or a malfunction occurs in the connected appliance.

Check for excessive current consumption or defects in the appliance. After making sure everything is in order, push the button to the "ON" position.

- ① BUTTON
- ② KNOB
- ③ IN (ON)
- ④ OUT (OFF)

⚠ CAUTION

If circuit breaker continues to be activated, discontinue use and check generator and/or appliance for malfunction with their respective service representatives.

Never interfere with the operation of the circuit breaker knob or keep pushing it in the "ON" position.

8. GROUND TERMINAL (See Fig. 2-7)

Terminal for grounding the generator.

9. RECOIL STARTER (See Fig. 2-6)

Pull this handle to start the generator.

- ① RECOIL STARTER HANDLE

10. FUEL TANK CAP (See Fig. 2-8)

The fuel tank cap is located behind the cover. To open the cover, lift up with the dent portion depressed backward as shown in the illustration. Remove the fuel tank cap by turning counterclockwise.

- ① FUEL TANK CAP
- ② FUEL FILTER SCREEN
- ③ TANK CAP COVER

11. SIDE COVER (L.R.) (See Fig. 2-9)

To access the following items for servicing, take the applicable side cover out by removing the screw with screwdriver or coin.

LH-side cover ---- Air cleaner etc.

RH-side cover ---- Oil level gauge, Ignition coil, Spark plug etc.

4. PRE-OPERATION CHECKS

(See Fig. 3)

1. CHECK ENGINE OIL (See Fig. 3-1, 2)

Before checking or refilling oil, be sure generator is located on stable and level surface with engine stopped.

- Remove oil filler cap and check the engine oil level.
- If oil level is below the lower level line, refill with suitable oil (see table) to upper level line. Do not screw in the oil filler cap when checking oil level.
- Change oil if contaminated. (See "How-To" Maintenance.)

Oil capacity 0.4 liters (0.42 qts)

Recommended engine oil:

Use 4-stroke automotive detergent oil of API service class SE or higher grade (SG, SH or SJ is recommended). SAE 10W-30 or 10W-40 is recommended for general, all-temperature use. If single viscosity oil is used, select the appropriate viscosity for the average temperature in your area.

Single grade	5W	10W	20W	#20	#30	#40	
Multigrade	10W-30		10W-40				
Ambient temperature	-20 -4	-10 14	0 32	10 50	20 68	30 86	40°C 104°F

2. CHECK ENGINE FUEL (See Fig. 2-8, 3-3)

⚠ WARNING

Do not refuel while smoking or near open flame or other such potential fire hazards. Otherwise fire accident may occur.


- If fuel level is low, refill with unleaded automotive gasoline.
- Fuel level should never over the RED marking at the inlet portion. (See Fig. 3-3-1)
 - ① RED MARKING
- Be sure to use the fuel filter screen on the fuel filter neck.
 - ① FUEL TANK CAP
 - ② FUEL FILTER SCREEN
 - ③ TANK CAP COVER

Fuel tank capacity 3.5 liters (0.92 US.gal)

- When using the generator first time or stopping due the fuel running out, pull the recoil handle several times after filling fuel up to the RED marking at the inlet portion of the fuel tank.

⚠ WARNING

Make sure you review each warning in order to prevent fire hazard.

- **Do not refill tank while engine is running or hot.**
- **Before filling fuel, turn the engine switch into "  " (STOP) position.**
- **Be careful not to admit dust, dirt, water or other foreign objects into fuel.**
- **Wipe off spilt fuel thoroughly before starting engine.**
- **Keep open flames away.**

3. CHECKING COMPONENT PARTS

Check following items before starting engine:

- Fuel leakage from fuel hose, etc.
- Bolts and nuts for looseness.
- Components for damage or breakage.
- Generator not resting on or against any adjacent wiring.

4. CHECK GENERATOR SURROUNDINGS.

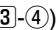
- When listening the radio near by the generator, the radio sound may be disturbed on account of the radio wave condition and the radio performance.



⚠ WARNING

Make sure you review each warning in order to prevent fire hazard.

- **Keep area clear of in flammables or other hazardous materials.**
- **Keep generator at least 3 feet (1 meter) away from buildings or other structures.**
- **Only operate generator in a dry, well ventilated area.**
- **Keep exhaust pipe clear of foreign objects.**
- **Keep generator away from open flame. No smoking!**
- **Keep generator on a stable and level surface.**
- **Do not block generator air vents with paper or other material.**

5. GROUNDING THE GENERATOR

- To ground the generator to the earth, connect the grounding lug of the generator to the grounding spike driven into the earth or to the conductor which has been already grounded to the earth. (See Fig. )

- If such grounding conductor or grounding electrode is unavailable, connect the grounding lug of the generator to the grounding terminal of the using electric tool or appliance. (See Fig. , )

① GROUND TERMINAL



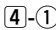
② GROUNDING SPIKE

5. OPERATING PROCEDURES

(See Fig. )

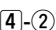
1. STARTING THE GENERATOR**⚠ CAUTION**

Check the oil level before each operations as outlined on page 6.

- (a) Make sure the appliance is disconnected.
- (b) Turn engine switch to "  " (CHOKE) position.
(When engine is warm or temperature is high, start engine with the switch at "  " (RUN) position.) (See Fig. )

⚠ CAUTION

- **Do not connect defective appliances including lines and plugs.**
- **Be sure appliances are not connected to generator when starting up. Starting the generator with an appliance connected could result in damage to the generator and/or appliance and in personal injury.**


- (c) Pull the starter handle slowly until passing the compression point (resistance will be felt), then return the handle to its original position and pull briskly. (See Fig. )


① RECOIL STARTER HANDLE

② PULL BRISKLY

- (d) After starting, allow the starter handle to return to its original position with the handle still in your hand.

NOTE

When engine fails to start after several attempts, repeat the starting procedures mentioned above with the engine switch placed at "  " (RUN) position.

- (e) After 20 to 30 seconds of warm-up is completed, turn the engine switch to "  " (RUN) position. (See Fig. 4-3)
- (f) Make sure the output lamp is on. This indicates that the generator is properly operating.

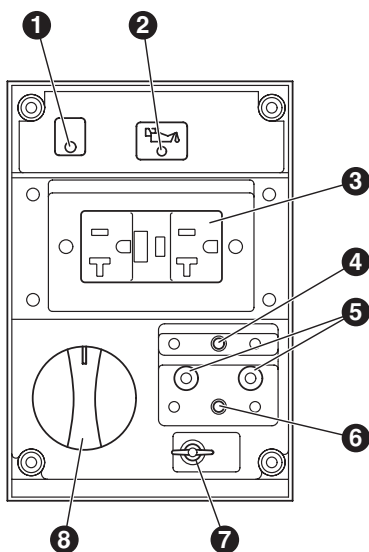
NOTE
Please consult with the authorized ROBIN dealer if the output lamp is turned off during the proper operation.

2. USING ELECTRIC POWER

⚠ WARNING

- Make sure that the appliance is switched OFF before connecting it to the generator.
- Do not move the generator while it is running.
- Be sure to ground the generator if the connected appliance is grounded. Failure to ground unit may lead to electrical shock.

CONTROL PANEL
R1100 (60Hz-120V)



- ❶ OUTPUT LAMP
- ❷ OIL SENSOR LAMP
- ❸ AC RECEPTACLES
- ❹ AC CIRCUIT BREAKER
- ❺ DC TERMINALS
- ❻ DC CIRCUIT BREAKER
- ❼ GROUND TERMINAL
- ❽ ENGINE SWITCH

(1) AC APPLICATION (See Fig. 4-4)

- (a) Make sure the output lamp is turned on.
- (b) Turn off the switch(es) of the electrical appliance(s) before connecting to the generator.
- (c) Insert the plug(s) of the electrical appliance(s) into the receptacle. (See Fig. 4-4)

- Check the amperage of the receptacles used referring to **TABLE 1**, and be sure not to take a current exceeding the specified amperage.
- Be sure that the total wattage of all appliances dose not exceed the rated output of the generator.

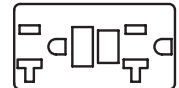
Style	Ampere	Receptacle	AC plug	Description
	Up to 20A	NEMA 5-20R	NEMA 5-20P	GFCI (Ground Fault Circuit Interrupter) Receptacle, duplex

TABLE 1

⚠ WARNING

- Be sure to ground the generator if the connected electrical device is grounded.
- Failure to ground unit could lead to electrical spark.

⚠ CAUTION

Do not put foreign objects into the plug receptacle.

NOTE

When the AC circuit breaker turns off during operation, the generator is over loaded or the appliance is defective.

Stop the generator immediately, check the appliance and / or generator for overloading, and have repaired as necessary by Robin dealer or service shop.

(d) Turn on the switch of the appliance.

(2) DC APPLICATION (See Fig. 4-5)**⚠ CAUTION**

Do not use the DC terminal at a time while using the AC out put.

The DC terminal is used only for charging 12 volt batteries. It provides up to 12V-8.3A (100W) of maximum power.

- ① Positive terminal (RED)
- ② Negative terminal (BLACK)


CONNECTION OF CABLE :

- Connect positive terminal (red) on generator to positive (+) terminal on battery.
- Connect negative terminal (black) on generator to negative (-) terminal on battery.

SAFETY PRECAUTIONS WHILE CHARGING

- An explosive hydrogen gas is discharged through vent holes in the battery during the charging process. Do not allow spark or open flame around the generator or battery during the charging process.
- Electrolyte fluid can burn eyes and clothing. Be extremely careful to avoid contact. If injured, wash the affected area immediately with large quantities of water and consult a doctor for treatment.
- When charging a large capacity battery or totally discharged battery, excessive current may force the DC breaker to turn off. In such cases, use a battery charger to charge a large battery with AC output.
- Battery defects may cause the DC breaker to turn off. Check the battery before replacing the DC breaker.

3. STOPPING THE GENERATOR

- Turn off the power switch of the electric equipment and unplug the cord from receptacle of the generator.
- Allow the engine about 3 minutes to cool down at no load before stopping.
- Turn the engine switch to the position "  " (STOP). (See Fig. 4-6)

4. OIL SENSOR (See Fig. 4-7)

- The oil sensor detects the fall in oil level in the crankcase and automatically stops the engine when the oil level falls below a predetermined level.
- When engine has stopped automatically, switch off generator's AC circuit breaker, and check the oil level.
Refill engine oil to the upper level as instructed on page 6 and restart the engine.
- If the engine dose not start by usual starting procedures, check the oil level
 - OIL SENSOR

⚠ CAUTION

**Do not remove OIL SENSOR PROBE when refilling with oil.
Remove oil filler cap on the opposite side of carburetor.**

6. WATTAGE INFORMATION

Some appliances need a "surge" of energy when starting.

This means that the amount of electrical power needed to start the appliance may exceed the amount needed to maintain its use.

Electrical appliances and tools normally come with a label indicating voltage, cycles / Hz, amperage (amps) and electrical power needed to run the appliance or tool.

Check with your nearest dealer or service center with questions regarding power surge of certain appliances or power tools.

- Electrical loads such as incandescent lamps and hot plates require the same wattage to start as is needed to maintain use.
- Loads such as fluorescent lamps require 1.2 to 2 times the indicated wattage during start-up.
- Loads for mercury lamps require 2 to 3 times the indicated wattage during start-up.
- Electrical motors require a large starting current. Power requirements depend on the type of motor and its use. Once enough "surge" is attained to start the motor, the appliance will require only 50% to 30% of the wattage to continue running.
- Most electrical tools require 1.2 to 3 times their wattage for running under load during use. For example, a 5000 watt generator can power a 1800 to 4000 watt electrical tool.
- Loads such as submersible pumps and air compressors require a very large force to start. They need 3 to 5 times the normal running wattage in order to start.
For example, a 5000 watt generator would only be able to drive a 1000 to 1700 watt pump.

NOTE

The following wattage chart is general guide only. Refer to your specific appliance for correct wattage.

To determine the total wattage required to run a particular electrical appliance or tool, multiply the voltage figure of the appliance/tool by the amperage (amps) figure of same. The voltage and amperage (amps) information can be found on a name plate which is normally attached to electrical appliances and tools.

Applications	Applicable Wattage (W)
	60 Hz
Incandescent lamp, Heater	approx. 900
Fluorescent lamp, Electric tool	approx. 450
Mercury lamp	approx. 250
Pump, Compressor	approx. 200

VOLTAGE DROP IN ELECTRIC EXTENSION CORDS

When a long electric extension cord is used to connect an appliance or tool to the generator, a certain amount of voltage drop or loss occurs in the extension cord which reduces the effective voltage available for the appliance or tool. The chart below has been prepared to illustrate the approximate voltage loss when an extension cord of 300 feet (approx. 100 meters) is used to connect an appliance or tool to the generator.

Nominal cross section	A.W.G.	Allowable current	No.of strands / strands dia.	Resistance	Current Amp.							Voltage drop
					1A	3A	5A	8A	10A	12A	15A	
mm ²	No.	A	No./mm	Ω/100m	1A	3A	5A	8A	10A	12A	15A	
0.75	18	7	30/0.18	2.477	2.5V	8V	12.5V	—	—	—	—	
1.27	16	12	50/0.16	1.486	1.5V	5V	7.5V	12V	15V	18V	—	
2.0	14	17	37/0.26	0.952	1V	3V	5V	8V	10V	12V	15V	
3.5	12 to 10	23	45/0.32	0.517	—	1.5V	2.5V	4V	5V	6.5V	7.5V	
5.5	10 to 8	35	70/0.32	0.332	—	1V	2V	2.5V	3.5V	4V	5V	

7. SPARK ARRESTER

In a dry or wooded area, it is recommendable to use the product with a spark arrester. Some areas require the use of a spark arrester. Please check your local laws and regulations before operating your product.

The spark arrester must be cleaned regularly to keep it functioning as designed.

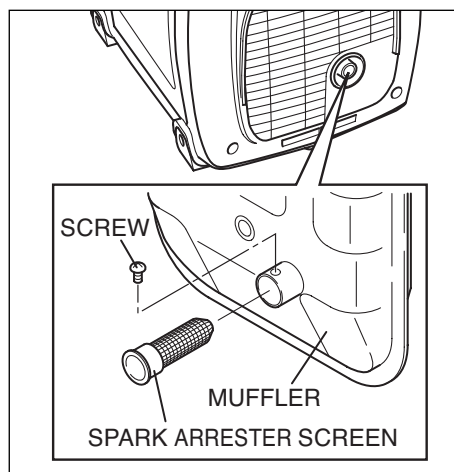
A clogged spark arrester :

- Prevents the flow of exhaust gas
- Reduces engine output
- Increases fuel consumption
- Makes starting difficult

If the engine has been running, the muffler and the spark arrester will be very hot. Allow the muffler to cool before cleaning the spark arrester.

How to remove the spark arrester

1. Remove the flange bolts from the muffler cover and remove the muffler cover.
2. Remove the special screw from the spark arrester and remove the spark arrester from the muffler.



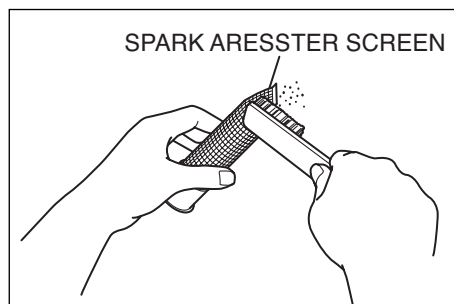
Clean the spark arrester screen

Use a brush to remove carbon deposits from the spark arrester screen.

Be careful to avoid damaging the screen.

The spark arrester must be free of breaks and holes. Replace the spark arrester if it is damaged.

Install the spark arrester, and muffler protector in the reverse order of disassembly.

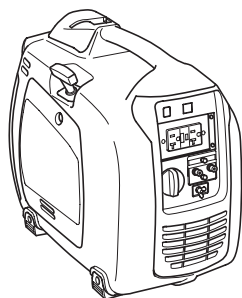


8. MAINTENANCE SCHEDULE

MAINTENANCE, REPLACEMENT OR REPAIR OF THE EMISSION CONTROL DEVICES AND SYSTEMS MAY BE PERFORMED BY ANY NONROAD ENGINE REPAIR ESTABLISHMENT OR INDIVIDUAL.

DAILY INSPECTION

Before running the generator, check the following service items:

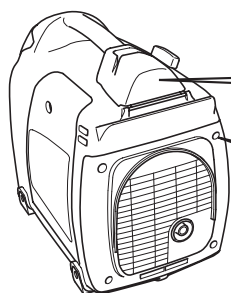


Safe surroundings

Leakage of gasoline and engine oil

Enough clean engine oil

AC and DC terminals for damage



Enough gasoline

Excessive vibration, noise

Loose or broken bolts and nuts

Clean air cleaner element

PERIODIC MAINTENANCE

Periodic maintenance is vital to safe and efficient operation of your generator.

Check the table below for periodic maintenance intervals.

IT IS ALSO NECESSARY FOR THE USER OF THIS GENERATOR TO CONDUCT THE MAINTENANCE AND ADJUSTMENTS ON THE EMISSION-RELATED PARTS LISTED BELOW TO KEEP THE EMISSION CONTROL SYSTEM EFFECTIVE.

The emission control system consists of the following parts :

- | | | |
|---|--|--|
| (1) Carburetor and internal parts | (5) Spark plug | (8) Exhaust manifold, if applicable |
| (2) Cold start enrichment system, if applicable | (6) Magneto or electronic ignition system | (9) Hoses, belts, connectors, and assemblies |
| (3) Intake manifold, if applicable | (7) Spark advance/retard system, if applicable | |
| (4) Air cleaner elements | | |

The maintenance schedule indicated in the table is based on the normal generator operation. Should the generator be operated in extremely dusty condition or in heavier loading condition, the maintenance intervals must be shortened depending on the contamination of oil, clogging of filter elements, wear of parts, and so on.

Periodic Maintenance Schedule table

Maintenance Items	Every 8 hours (Daily)	Every 50 hours (Weekly)	Every 200 hours (Monthly)	Every 500 hours	Every 1000 hours
Clean generator and check bolt and nuts	● (Daily)				
Check and refill engine oil	● (Refill daily up to upper level)				
Change engine oil (*Note1)	● (Initial 20 hours)	● (Every 100 hours)			
Clean spark plug		●			
Clean air cleaner		●			
Replace air cleaner element			●		
Clean fuel filter			●		
Clean and adjust spark plug and electrodes			●		
Replace spark plug				●	
Clean spark arrester		● (Every 100 hours)			
Remove carbon from cylinder head (*Note 2)				●	
Check and adjust valve clearance (*Note 2)				●	
Clean and adjust carburetor (*Note 2)				●	
Clean and replace carbon brushes				●	
Replace fuel lines					● (Yearly)
Overhaul engine (*Note 2)					●
Check AC receptacles	● (Daily)				
Check DC terminal	● (Daily)				
Check engine switch	● (Daily)				
Check rotor					●
Check stator					●
Replace engine mount					●

*Note: 1. Initial oil change should be performed after first twenty (20) hours of operation. Thereafter change oil every hundred (100) hours.

Before changing oil, check for a suitable way to dispose of old oil.

Do not pour it down into sewage drains, onto garden soil or into open streams. Your local zoning or environmental regulations will give you more detailed instructions on proper disposal.

*Note: 2. As to the procedures for these items, please refer to the SERVICE MANUAL or consult your nearest Robin service dealer.

9. "HOW-TO" MAINTENANCE

(See Fig. ⑤)

⚠ CAUTION

Make sure the engine is stopped before starting any maintenance, servicing or repair.

NOTE

It is recommended to use ear protection when performing operation, maintenance and repair of the generator set.

1. ENGINE OIL CHANGE (See Fig. ⑤-①)

- Change engine oil every 50 hours.
(For new engine, change oil after 20 hours.)
- (a) Drain oil by removing the drain plug and the oil filler cap while the engine is warm.
 - ① OIL DRAIN PLUG
- (b) Reinstall the drain plug and fill the engine with oil until it reaches the upper level on the oil filler cap.
 - Use fresh and high quality lubricating oil to the specified level as directed on page 6.
If contaminated or deteriorated oil is used or the quantity of the engine oil is not sufficient, the engine damage will result and its life will be greatly shortened.

2. SERVICING THE AIR CLEANER (See Fig. ⑤-②)

Maintaining an air cleaner in proper condition is very important.

Dirt induced through improperly installed, improperly serviced or inadequate elements damages and wears out engines. Keep the element always clean.

- (a) Unhook the cover and remove the cleaner element.
 - ① ELEMENT
 - ② AIR CLEANER COVER
- (b) Paper element: Clean by tapping gently to remove dirt and blow off dust. Never use oil. Clean paper element every 50 hours of operation, and replace element every 200 hours or once a year.
- (c) Urethane form : Wash the element with fresh water. Squeeze out the water then dry the element. (Do not twist.)

3. CLEANING AND ADJUSTING SPARK PLUG (See Fig. ⑤-③,④)

- ① SPARK PLUG
- ② PLUG WRENCH

- (a) If the plug is contaminated with carbon, remove it using a plug cleaner or wire brush.
- (b) Adjust the electrode gap to 0.6 to 0.7 mm (0.024 to 0.028 in.).

Spark plug	BMR4A (NGK)
------------	-------------

4. CHECKING CARBON BRUSH (See Fig. ⑤-⑤)

If the brush become excessively worn, its contact pressure with the slip ring changes and causes a roughened surface on the slip ring, resulting in irregular generator performance.

Check the brush every 500 hours or if generator performance is irregular.

If the brush is 5 mm (0.2 in.) long or less, replace it with a new one.

- ① BRUSH HOLDER
- ② BRUSH
- ③ 5 mm
- ④ M5 BOLT : 1 pc.

- (a) Remove the brush cover.
- (b) Disconnect the wire connector and remove the brush.
- (c) Carefully note the brush direction and relative position with the slip ring when installing new brush.

10. PERIODIC OPERATION AND INSPECTION

When furnishing the generator as emergency electric power source, periodic operation and inspection are needed.

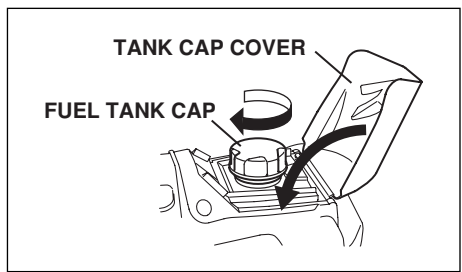
Fuel (gasoline) and engine oil will be deteriorated with time, and this causes that the engine is difficult to start and as the results improper engine operation and fault.

⚠ CAUTION

Since the fuel (gasoline) will be deteriorated with time, replace fuel (gasoline) with fresh one periodically; once every three (3) months is recommended.

- (a) Check the fuel (gasoline), engine oil and air cleaner.
- (b) Start engine.
- (c) With appliance such as lightings activated, run the engine for over ten minutes.
- (d) Check for the following items;
 - Proper engine running.
 - Adequate output and the indicator lamp turned on properly.
 - The engine switch normally operated.
 - No leakage of engine oil and fuel (gasoline).

- (c) Secure the tank cap and set the cover in position.



11. TRANSPORTING

When transporting the generator, make sure that the fuel (gasoline) should be drained from the tank.

⚠ CAUTION

- Do not place any heavy objects on the generator.
- Select and place the generator in the proper position of the transport vehicle so that the generator not be moved or fallen down.
Fix the generator with rope as necessary.

⚠ WARNING

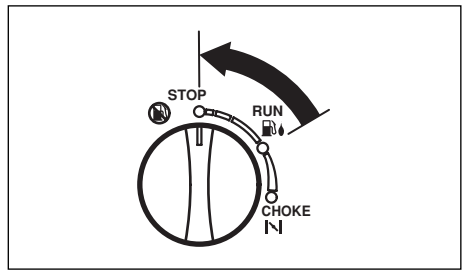
- To prevent fuel spillage due to the vibration and impact, never transport the generator with the fuel (gasoline) filled in the tank.
- Secure the tank cap thoroughly.
- To avoid the risk of the gasoline flammability, never leave the generator in an area exposed to direct sunlight or high temperatures for a long time.
- Keep the fuel (gasoline) in the exclusive gasoline storage tank made by steel when transporting.

12. PREPARATION FOR STORAGE

(See Fig. 6)

The following procedures should be followed prior to storage of your generator for periods of 6 months or longer.

- (a) Turn the engine switch to the "🛑" (STOP) position.



- Drain fuel from fuel tank carefully by disconnecting the fuel line.
Gasoline left in the fuel tank will eventually deteriorate making engine-starting difficult.
- When draining fuel from the fuel tank, use the hand pump and set it into the refilling port. (See Fig. 6-1)
- Remove the drain screw of the carburetor. (See Fig. 6-2)
① DRAIN SCREW
- Change engine oil.
- Check for loose bolts and screws, tighten them if necessary.
- Clean generator thoroughly with oiled cloth. Spray with preservative if available. NEVER USE WATER TO CLEAN GENERATOR !
- Pull starter handle until resistance is felt, leaving handle in that position.
- Store generator in a well ventilated, low humidity area.

- (b) Drain the fuel from the tank.

13. TROUBLESHOOTING

When generator engine fails to start after several attempts, or if no electricity is available at the output socket, check the following chart. If your generator still fails to start or generate electricity, contact your nearest Robin dealer or service shop for further information or corrective procedures.

When Engine Fails to Start:

Check if engine switch is in its proper position.	↔	Turn engine switch to "N" (CHOKE) position.
Check fuel level.	↔	If empty, refill fuel tank making sure not to overfill.
Check to make sure generator is not connected to an appliance.		If connected, turn off the power switch on the connected appliance and unplug.
Check spark plug for loose spark plug cap.		If loose, push spark plug cap back into place.
Check spark plug for contamination.	↔	Remove spark plug and clean electrode.
Check engine oil level.		If the engine oil level is low, add the oil to the upper level line on the oil gauge.

When No Electricity Is Generated at Receptacle :

Check if the AC circuit breaker is turned OFF.	↔	Stop the engine and check the appliances and/or generator for overloading.
Check if the DC circuit breaker is turned OFF.	↔	Depress the circuit breaker into ON position, after making sure the electric appliances are in the normal condition.
Check AC receptacle and DC terminals for loose connection.		Secure connection if necessary.
Check to see if engine starting was attempted with appliances already connected to generator.	↔	Turn off switch on the appliance, and disconnect cable from receptacle. Reconnect after generator has been started properly.
Low power.		Carbon brushes are excessively worn.

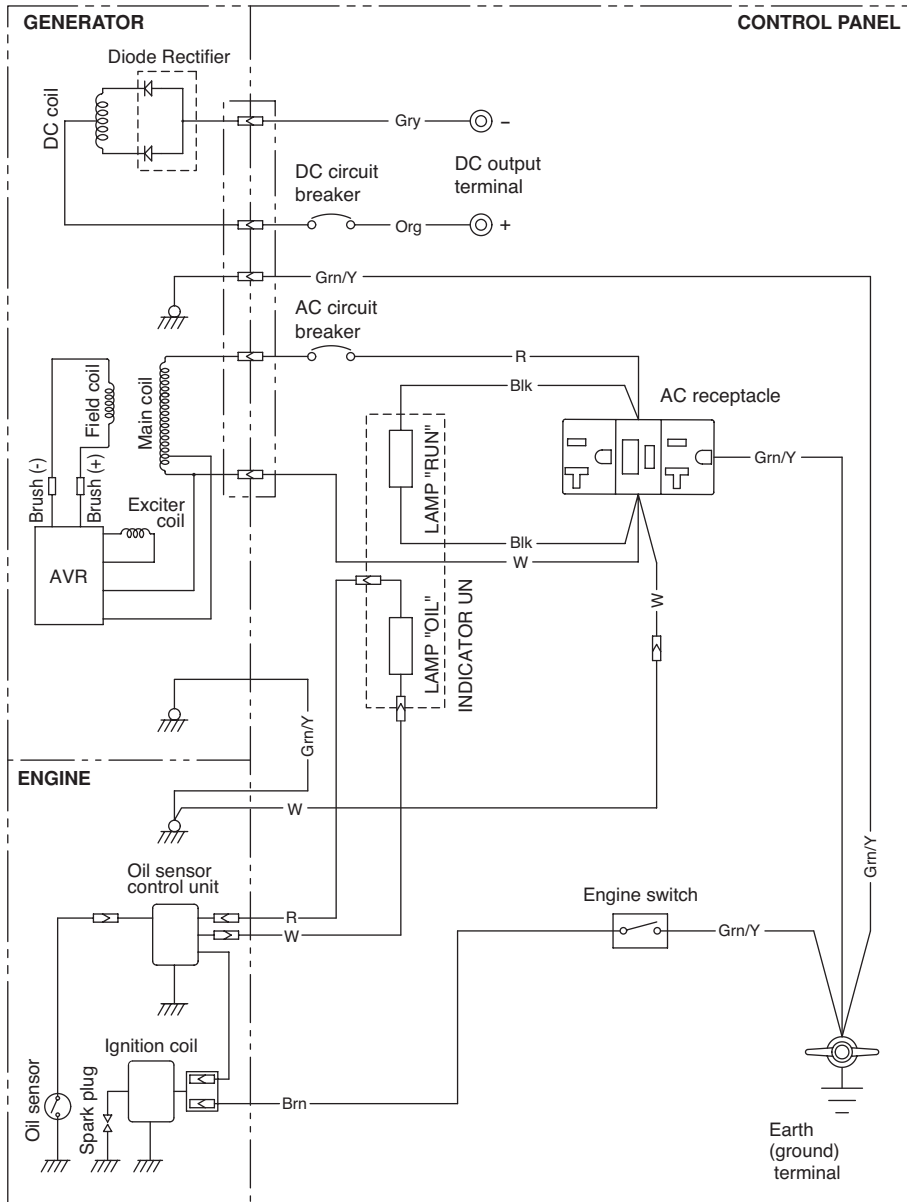
14. SPECIFICATIONS

MODEL		R1100
Generator	Type	2-Pole, Revolving Field type Self Exciting, Single Phase AVR type
	AC Output	
	Rated voltage V	120
	Rated Frequency Hz	60
	Rated current A	7.5
	Rated output VA	900
	Maximum output VA	1100
	Rated power factor	1.0
	Safety device ; type	Current breaker
	DC Output	
Rated voltage V	12	
Rated current A	8.3	
Safety device ; type	Current breaker	
Ground system	Neutral ground (Neutral bonded to frame)	
Engine	Model	EH09-2
	Type	Forced air-cooled,4-cycle,single cylinder OHV type gasoline engine
	Displacement mL (cu.in.)	85.8 (5.23)
	Rated output kW / rpm	1.5 / 3,600
	Fuel	Automobil unleaded gasoline
	Fuel tank capacity L (U.S. gal)	3.5 (0.92)
	Rated continuous operation [Approx.] hours	3.5
	Engine oil capacity L (U.S. gal)	0.4 (0.106)
	Spark plug	BMR4A (NGK)
	Starting system	Recoil starter
Dimension	Length mm (in.)	480 (19.3)
	Width mm (in.)	295 (11.6)
	High mm (in.)	445 (17.5)
	Dry weight kg (lb)	25.5 (56.2)
Valve Clearance (Intake & Exhaust) mm(in.)	0.1±0.03 (0.0039±0.0012) Note : Adjust the valve clearance while the engine is cold.	
Emissions Durability Period (California only) hours	250	

15.WIRING DIAGRAM

R1100 (60Hz-120V)

ENGLISH



Wiring color cord

Blk : Black	LBlu : Light blue	Grn : Green	Gry : Gray	Y : Yellow	Pur : Purple
Blk/W : Black/White	Brn : Brown	Grn/W : Green/White	R : Red	W/Blk : White/Black	
Blu : Blue	Brn/W : Brown/White	Org : Orange	W : White	Grn/Y : Green/Yellow	

ISSUE EMD-GU2096

FUJI HEAVY INDUSTRIES LTD.
INDUSTRIAL PRODUCTS COMPANY

4-410 Asahi, Kitamoto-shi,
Saitama, 364-8511, Japan

Phone +81(48) 593-7798

Fax +81(48) 593-7946

Web site <http://www.fhi.co.jp/robin/>

PRINTED IN JAPAN
March 2005

IMPRESO EN JAPÓN
Marzo 2005

CE - Ⓢ