



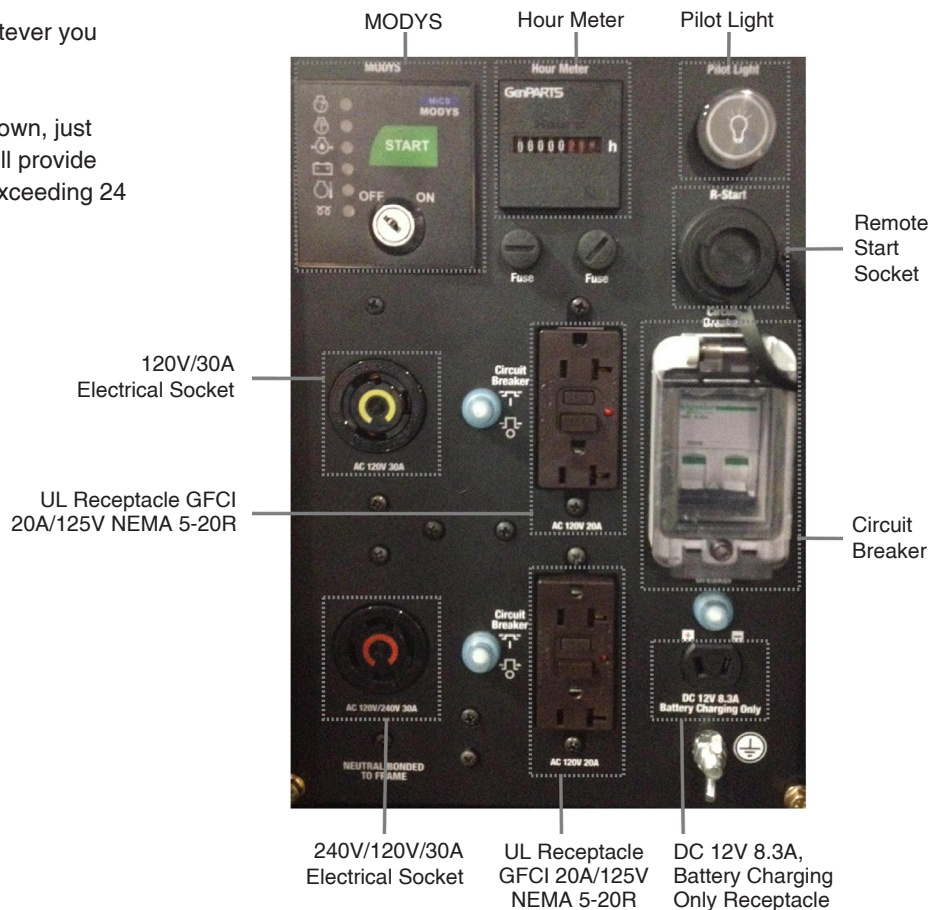
The KOHLER Advantage

- Built to Last Since 1920**
 For over 90 years, hospitals, airports and military bases around the world have depended on KOHLER generators.
- Premium Warranty**
 You get our premium 3-year limited warranty backed by a network of more than 10,000 dealers.
- Custom Kits**
 Legs, handles, wheels, lifting kits - whatever you want, any way you want it.
- Free Loaner Program***
 If your KOHLER generator ever goes down, just swing by one of our select dealers. We'll provide a free loaner unit for warranty repairs exceeding 24 hours.

Standard Features

- Quiet Performance**
 Air-cooled engine with special sound-dampening enclosure makes the PRO5.4DES a quiet performer
- Easy Refills**
 Accu-Fill™ feature provides safe, easy refilling - and less spilling - with angled fuel inlet
- Extra Engine Protection**
 Oil Sentry™ automatically shuts engine down in low-oil conditions
- Easy Reminders**
 Maintenance Minder lights up to remind you of oil/filter changes etc.
- Pro-Grade Engine**
 This portable generator is powered by a KOHLER® diesel engine, designed for professional-grade power.

Control Panel



* At participating dealers, based on availability.

Specifications

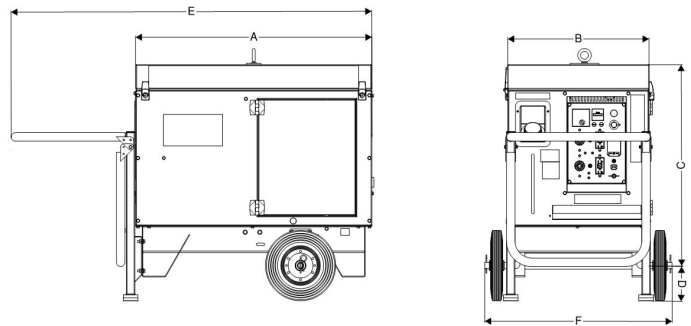
Model Name	PRO5.4DES
Model spec	PA-PRO54DES-3001
Compliance	3001 (EPA/CARB)
AC rated output (running watts)	4,700
AC maximum output (motor starting watts)	5,400
AC voltage	120/240
AC frequency	57.5-63
Total Harmonic Distortion	≤ 5%
Rated AC amperage	39.2/19.6
Max AC amperage	45/22.5
DC Output	12V 8.3Amp
Engine displacement	442cc
Fuel type	Diesel
Engine RPM	3450-3750
Recommended oil	15w40
Automatic voltage regulation	No
Fuel shut off	Automatic
Starting method	Recoil & Electric
Low oil shutdown method	Low Pressure
Neutral	Neutral Bonded to Frame
Start switch type	MODYS (Remote Ready)
Switch location	On Control Panel
Fuel gauge	Yes
Fuel tank capacity	7.1 gal / 27 liters
Run time @ 50% (hours)	18.3
Warranty - Residential	3 years
Warranty - Commercial	3 years

Available Options

- Wireless Remote
- Mobility Kit

Generator Set Dimensions and Weights

A mm (in.):	988 (38.9)	Carton Length mm (in.):	1011 (40)
B mm (in.):	615 (24.2)	Carton Width mm (in.):	630 (25)
C mm (in.):	960 (37.8)	Carton Height mm (in.):	660 (26)
D mm (in.):	140 (5.5)	Shipping Weight lbs (kg):	443 (201)
E mm (in.):	1498 (59)		
F mm (in.):	793 (31.2)		
Unit Weight			
lbs (kg):	437 (198)		



NOTE: Dimensions are provided for reference only and should not be used for planning installation. Contact your local distributor for more detailed information.

DISTRIBUTED BY:



© 2014 by Kohler Co. All rights reserved.