



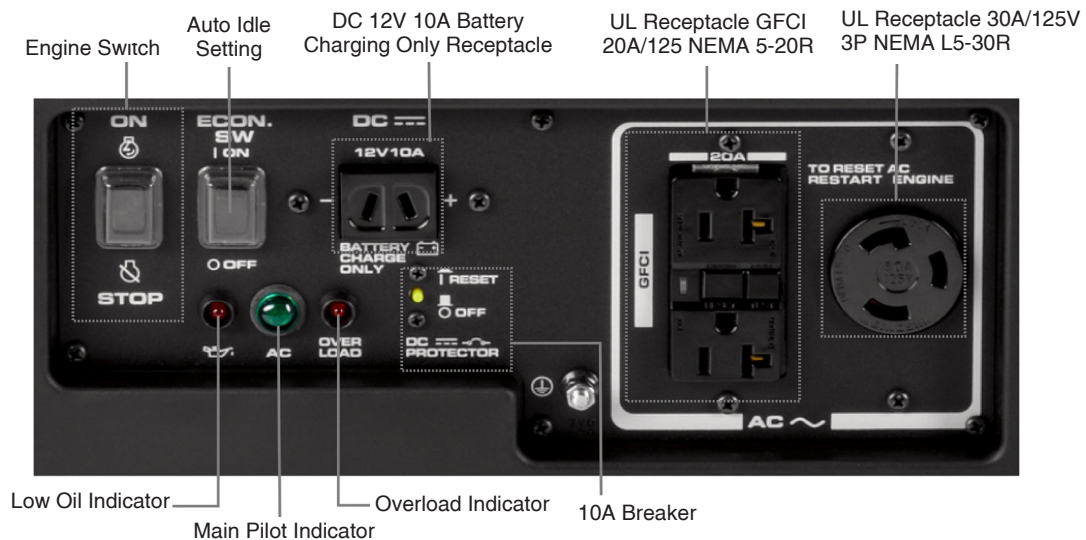
### The KOHLER Advantage

- Built to Last Since 1920**  
 For over 90 years, hospitals, airports and military bases around the world have depended on KOHLER generators.
- Premium Warranty**  
 You get our premium 3-year limited warranty backed by a network of more than 10,000 dealers.
- Custom Kits**  
 Legs, handles, wheels, lifting kits - whatever you want, any way you want it.
- Free Loaner Program\***  
 If your KOHLER generator ever goes down, just swing by one of our select dealers. We'll provide a free loaner unit for warranty repairs exceeding 24 hours.

### Standard Features

- More Work, Less Downtime**  
 Our 2.95-gallon fuel tank means long runtime and less downtime.
- Smart, Clean Power**  
 Senses power demand and produces only the needed power, saving fuel and reducing exhaust gases and wear and tear for long product life.
- Quiet Operation**  
 Demand-based operation provides quiet power.
- Extra Engine Protection**  
 Oil Sentry™ automatically shuts engine down in low-oil conditions.
- GFCI Outlets**  
 Ground-fault circuit interrupter detects unbalanced electrical current and safely shuts down power.
- 68-Pound Lightweight**  
 Lightweight, open frame for easy maintenance access.
- Inverter Technology**  
 Output current safely powers sensitive electronics.

### Control Panel



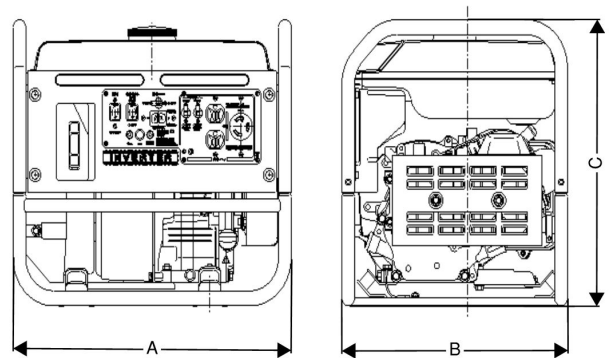
\* At participating dealers, based on availability.

## Specifications

|   |   |
|---|---|
| Model Name                                  | PRO2.8i   |
| Model spec                                  | PA-PRO28i-3001<br>PA-PRO28i-1001                                    |
| Compliance                                  | 3001 (EPA/CARB)<br>1001 (EPA/CSA)                                   |
| AC rated output<br>(running watts)          | 2,500   |
| AC maximum output<br>(motor starting watts) | 2,800   |
| AC voltage                                  | 120   |
| AC frequency (Hz)                           | 60  |
| Total Harmonic<br>Distortion                | ≤ 5%  |
| Rated AC amperage                           | 20.8  |
| Max rated amperage                          | 23.3  |
| Engine displacement                         | 171cc   |
| Fuel type                                   | Gasoline  |
| Engine RPM                                  | Variable based on load  |
| Recommended oil                             | 4-stroke engine oil API service<br>classification SE type or higher |
| Automatic voltage regulation                | Yes   |
| Choke location                              | Manual on engine  |
| Fuel shut off                               | In tank w/filter  |
| Starting method                             | Recoil only   |
| Low oil shutdown method                     | Low level   |
| Neutral                                     | Neutral Bonded to Frame   |
| Start switch type                           | Toggle Type<br>Off-On (Red)   |
| Switch location                             | On control panel  |
| Fuel gauge                                  | Yes   |
| Fuel tank capacity                          | 2.95 gal/11.2 liters  |
| Run time @ 50% (hours)                      | 10.2  |
| Warranty - Residential                      | 3 years   |
| Warranty - Commercial                       | 3 years   |

## Generator Set Dimensions and Weights

|                               |                                    |
|-------------------------------|------------------------------------|
| A mm (in.): 487 (19.2)        | Carton Length mm (in.): 514 (20.2) |
| B mm (in.): 395 (15.6)        | Carton Width mm (in.): 422 (16.6)  |
| C mm (in.): 425 (16.7)        | Carton Height mm (in.): 460 (18.1) |
| Unit Weight lbs (kg): 68 (31) | Shipping Weight lbs (kg): 73 (33)  |



NOTE: Dimensions are provided for reference only and should not be used for planning installation. Contact your local distributor for more detailed information.

**DISTRIBUTED BY:**

© 2014 by Kohler Co. All rights reserved.