



# STANDBY GENERATORS

## 60/62kW<sup>1</sup> COMMERCIAL STANDBY GENERATORS



### DURABLE BACKUP POWER FOR BUSINESSES

Help eliminate your customer's losses from power outages with a Briggs & Stratton® Commercial standby generator. Supported by a comprehensive commercial warranty, your customers can be confident that when the power goes out, it will perform.

Designed to offer you more options for businesses with increasing electrical demands, commercial generators are part of a complete line of Standby Generators – perfect for businesses.

To learn more, visit [www.powernow.com](http://www.powernow.com).

### FEATURES AND BENEFITS

#### Comprehensive Commercial Warranty

Briggs & Stratton offers a 4 year limited warranty<sup>2</sup> that includes parts and labor for the duration of the warranty. It's one of the most comprehensive warranties in the commercial standby power industry.

#### Durable GM Vortec™ Engine

Found in industrial applications, premium-grade GM Vortec 1,800 RPM engines provide strong, reliable power without giving up quiet operation or durability.

#### Longer Product Life

Maximize your customer's investment with a standby generator that can stand the test of time. Designed for longer product life, Briggs & Stratton Commercial Standby Generators have low speed 1,800 RPM liquid cooled engines, limited temperature rise on the alternator and corrosion-resistant, all-metal enclosures.

#### Custom Built Options

A complete line of commercial standby generators for light commercial applications with multiple voltage, configuration and controller options available.

#### Corrosion-Resistant

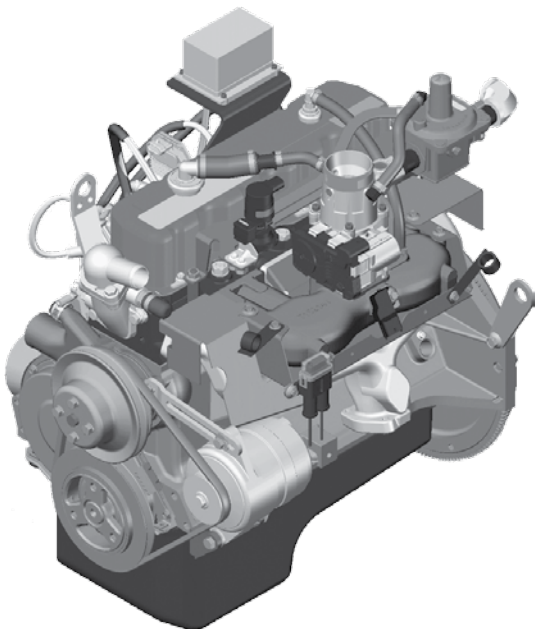
Durable, all-metal enclosures are built to last protecting against extreme weather conditions and supported by the longest enclosure warranty in the industry.

## 60-62KW<sup>1</sup> SPECIFICATIONS

Model	Power (KW <sup>1</sup> )	Alternator	L-N	L-L	Config	# Leads	Phase	Power Factor	Hz	LP Gas		Natural Gas		Breaker	Controller
										kW <sup>1</sup>	Amps	kW <sup>1</sup>	Amps		
076160	60	60-BSPP-0	120	240	-	4	1	1.0	60	60	250	54	225	300	Briggs & Stratton® Standard
076161	62	60-TBSPP-0	120	208	WYE	12	3	0.8	60	62	215	55.8	194	225	IntelliNano <sup>NT</sup>
076162	62	60-TBSPP-0	139	240	WYE	12	3	0.8	60	62	186	55.8	168	225	IntelliNano <sup>NT</sup>
076163	62	60-TBSPP-0	120	240	Delta	12	3	0.8	60	62	186	55.8	168	225	IntelliNano <sup>NT</sup>
076164	62	60-TBSPP-0	240	416	WYE	12	3	0.8	60	62	108	55.8	97	125	IntelliNano <sup>NT</sup>
076165	62	60-TBSPP-0	277	480	WYE	12	3	0.8	60	62	93	55.8	84	110	IntelliNano <sup>NT</sup>
076360	60	60-BSPP-0	120	240	-	4	1	1.0	60	60	250	54	225	300	IntelliLite <sup>NT</sup>
076361	62	60-TBSPP-0	120	208	WYE	12	3	0.8	60	62	215	55.8	194	225	IntelliLite <sup>NT</sup>
076362	62	60-TBSPP-0	139	240	WYE	12	3	0.8	60	62	186	55.8	168	225	IntelliLite <sup>NT</sup>
076363	62	60-TBSPP-0	120	240	Delta	12	3	0.8	60	62	186	55.8	168	225	IntelliLite <sup>NT</sup>
076364	62	60-TBSPP-0	240	416	WYE	12	3	0.8	60	62	108	55.8	97	125	IntelliLite <sup>NT</sup>
076365	62	60-TBSPP-0	277	480	WYE	12	3	0.8	60	62f	93	55.8	84	110	IntelliLite <sup>NT</sup>

### NON-STOP RELIABILITY

Experienced in powering critical industrial applications, this premium engine is a proven powerhouse. GM Vortec™ 1,800 RPM engines provide strong, reliable power without giving up quiet operation or durability. Plus, our low-operating speeds are designed for longer product life.



### EASY TO SERVICE

Convenient internal swing open doors make it easier to service and provide immediate access to the entire engine. You no longer have to take apart the bolted together finger guards to access the engine saving you precious time and the hassle of disassembly.

No cost or hidden fees are associated with support software to service Briggs & Stratton® Standby Generators. Support software can be easily downloaded from the PowerPortal.



## ENGINE SPECIFICATIONS

Engine Model Number	GM Vortec 5.7L Industrial Powertrain
Engine Type	8 Cylinder, 4-Cycle
Displacement (ltr / cc)	5.7 / 5736
Nominal RPM	1800
Induction System	Naturally Aspirated
Air Filter Type	Dry
Governor Type	Electronic
Freq Reg NL to FL	Isochronous
Freq Reg Ready State	+/-0.5%

## ENGINE LUBRICATION SPECIFICATIONS

Lubrication Type	Full Pressure
Oil Pan Capacity (qts / ltr)	4.5 / 4.3
Oil Pan Capacity with Filter (qts / ltr)	5.0 / 4.7
Oil Filter Quantity / Type	1 / Cartridge
Recommended Oil	API GF-4 10W30

## LP GAS FUEL CONSUMPTION<sup>3</sup> - STANDBY RATING

100% Load ft <sup>3</sup> /hr	345 / 9.0
50% Load ft <sup>3</sup> /hr	200 / 5.2
No Load ft <sup>3</sup> /hr	83 / 2.2

## NG FUEL CONSUMPTION<sup>3</sup> - STANDBY RATING

100% Load (BTU/hr)	788,000
50% Load (BTU/hr)	463,000
No Load (BTU/hr)	217,000

## ENGINE OUTPUT DERATINGS - STANDBY

Rated Temp	77°F / 25°C
Rated Altitude	Sea Level
Max Altitude	15,000 ft
Temperature Derate	1% for each 10°F (5.6°C) above rated temp
Altitude Derate	3% / 1000 ft

## SOUND RATING AT 7 METERS

25% of Full Load (dBA)	66
------------------------	----

## ENGINE COOLING SYSTEM SPECIFICATIONS

Max Ambient Temp (°F / °C)	104 / 40
Engine Coolant Capacity (gal / ltr)	2.3 / 8.5
Engine + Radiator Coolant Capacity (gal / ltr)	6.0 / 22.7

## ENGINE ELECTRICAL SYSTEM SPECIFICATIONS

Charging Alternator (volts dc)	12
Recommended Battery (volts dc)	12
Recommended Battery (cca)	630
Quantity Needed	1

## ENGINE FUEL SYSTEM SPECIFICATIONS

Recommended Fuel LP min LHV (btu/ft <sup>3</sup> )	2260
NG min LHV (btu/ft <sup>3</sup> )	890
Fuel Supply Pressure in-H <sub>2</sub> O	7-11 (at full load)
Fuel Supply Line at Engine (npt)	1"

## ALTERNATOR SPECIFICATIONS

Type	4-pole, rotating field
Voltage Regulator	Solid state, Volts/Hz
Insulation (material)	Class H
Designed Temperature Rise Limit	120°C
Bearing (quantity / type)	1, Sealed
Voltage Reg NL to FL	+/-1.0%
Frequency compensation	8V/Hz voltage drop below 55 Hz

## ALTERNATOR - DESIGNED TO LAST

With a total temperature capability of 160°C, Briggs & Stratton Standby Generators limit the temperature rise to 120°C above ambient temperature to offer extended alternator life.



## CONTROLLER OPTIONS



### Standard Controller

- User-friendly control panel for troubleshooting
- Conveniently monitors diagnostic conditions, displays system fault codes and sets weekly exercise cycle
- Easy-to-read alpha-numeric scrolling display
- Single-phase generator application only



### InteliNano<sup>NT</sup> MRS Controller

- Cost effective controller that can be configured to application input, output and parameter requirements
- Large graphical display
- 3 phase sensing
- "Zero" power consumption mode
- Easy installation and user-friendly operation
- 10 event history log
- USB communication interface
- UL recognized



### InteliLite<sup>NT</sup> MRS 19 Controller

- Integrated controller that fulfills requirements needed for MRS applications
- Remote control
- User configuration
- Complete gen-set monitoring and protection
- Powerful graphic display
- Easy troubleshooting with comprehensive history log
- Operator friendly analog gauge outputs (VDO, Datcon)
- Remote control and monitoring capabilities
- UL recognized

### Extension Modules (sold separately)

#### Remote Annunciator (6267)

- 15 programmable LEDs with configurable colors
- Customizable labels
- Local horn output
- Lamp test function
- UL certified

#### Remote Display (6266)

- Mimics primary controller
- Uses CAN communications

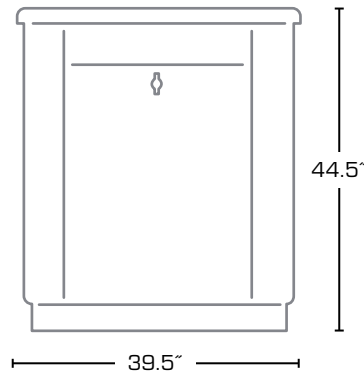
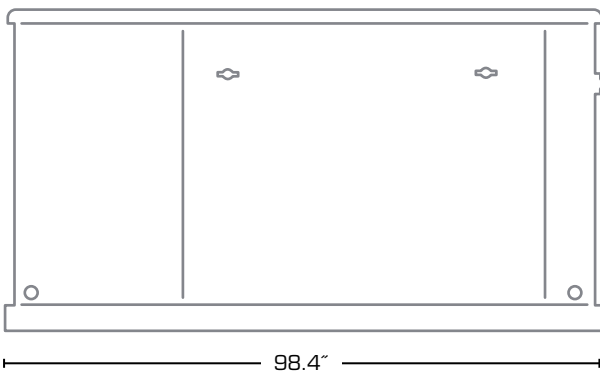
## WEIGHT AND DIMENSIONS

Weight - (lb / kg)

2120lb/962kg

Overall Dimensions

98.4" x 39.5" x 44.5"  
2499mm x 1001mm x 1131mm



Not for Prime Power or use where standby systems are legally required, for serious life safety or health hazards, or where lack of power hampers rescue of fire-fighting operations.

<sup>1</sup> This generator is rated in accordance with UL (Underwriters Laboratories) 2200 (stationary engine generator assemblies) and CSA (Canadian Standards Association) standard C22.2 No. 100-04 (motors and generators)

<sup>2</sup> Warranty details available at [briggsandstratton.com](http://briggsandstratton.com)

<sup>3</sup> Fuel consumption rates are estimated based on normal operating conditions. Generator operation may be greatly affected by elevation and the cycling operation of multiple electrical appliances - fuel flow rates may vary depending on these factors.

## WHY CHOOSE BRIGGS & STRATTON?

Briggs & Stratton offers a full line of automatic Commercial Standby Generators for critical business applications during a power outage.

### COMPREHENSIVE COMMERCIAL WARRANTY

Briggs & Stratton offers a limited 4 year warranty<sup>2</sup> that includes parts and labor for the duration of the warranty.

### TOTAL PACKAGE

Briggs & Stratton is your single source destination for all generator, transfer switch and accessory needs. By ordering from us, you save time, money and eliminate the hassle of dealing with additional suppliers.

### TRUSTED BRAND

Briggs & Stratton is a name that your customers know and trust. Customers are confident that Briggs & Stratton products have the power to perform for many years.

Familiar brands are much easier to sell than unfamiliar ones. Make your job easier by selecting a supplier that your customers know and trust.

### RELIABLE PRODUCTS

Field-driven design and extensive testing from prototype to production help ensure that customers are receiving one of the best standby generators available.

## SUPPORT EVERY STEP OF THE WAY

Need help? Just call 800-759-2744. Our technical support team is trained to answer questions on our generators, transfer switches and accessories.

READY TO PLACE AN ORDER? OUR TEAM IS READY TO HELP. CALL 1-87-RELY-ON-US.

### INCLUDED EXTRAS

- hour meter
- radiator fluid
- battery charger
- oil

### TRANSFER SWITCHES

#### BRIGGS & STRATTON® TRANSFER SWITCH

Get more power out of commercial standby generators with our Briggs & Stratton transfer switches. All transfer switches feature an Air Conditioning Control Module (ACCM) that manages the load of one or two air conditioners while keeping critical business applications powered.

Flexible, indoor or outdoor, transfer switch placement make it convenient to install. All of our weather-resistant transfer switches are NEMA 3R rated for maximum protection against dirt, rain, sleet and snow.

Briggs & Stratton Transfer Switches operate best with our Briggs & Stratton single-phase commercial standby generators.

#### GE ZENITH TRANSFER SWITCHES

Advanced, high-speed switching for today's most critical loads, GE Zenith transfer switches are highly reliable for essential business applications. GE Zenith Transfer Switches are available in a variety of ampacities and configurations.

Receive a 2 year limited warranty<sup>2</sup> when you purchase a GE Zenith Transfer Switch from Briggs & Stratton.

### AVAILABLE ACCESSORIES

- Maintenance Kit, 6168
- 45-60kW<sup>1</sup> Engine Block Heater Kit, 6242
- Load Control Center, 071035  
(for use with model 076160 only)
- Basic Wireless Monitor, 6264  
(for use with model 076160 only)
- infohub™ wireless monitoring, 6260