

### Smart Management Modules (SMM)

Model 006873-0



## DESCRIPTION

Generac's Smart Power Management System is designed to optimize the performance of a standby generator. The system can consist of up to 8 individual Smart Management Modules (SMM). Unlike other load management systems that depend on another control device, the SMM modules are actually self-aware and operate autonomously.

Frequency is the true measure of generator engine performance and does not need to factor in increased ambient temperatures, elevation changes or generator fuel type. The modules monitor the frequency (Hz) of the power being produced by Generac's standby generators and if it falls below a certain threshold, the module will automatically follow a power management algorithm to ensure that the generator is not overloaded.

The modules can be set to a load priority between 1-8 or be set in a lock out only mode for loads that just simply do not need to run in an outage, therefore reducing the necessary size of the generator for a more cost effective solution.

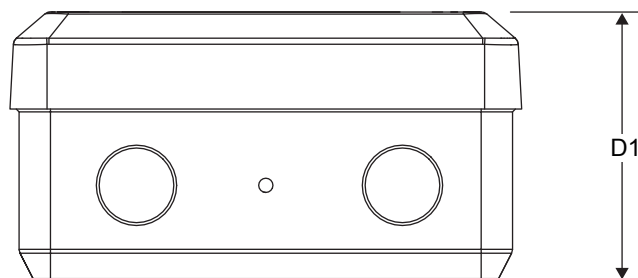
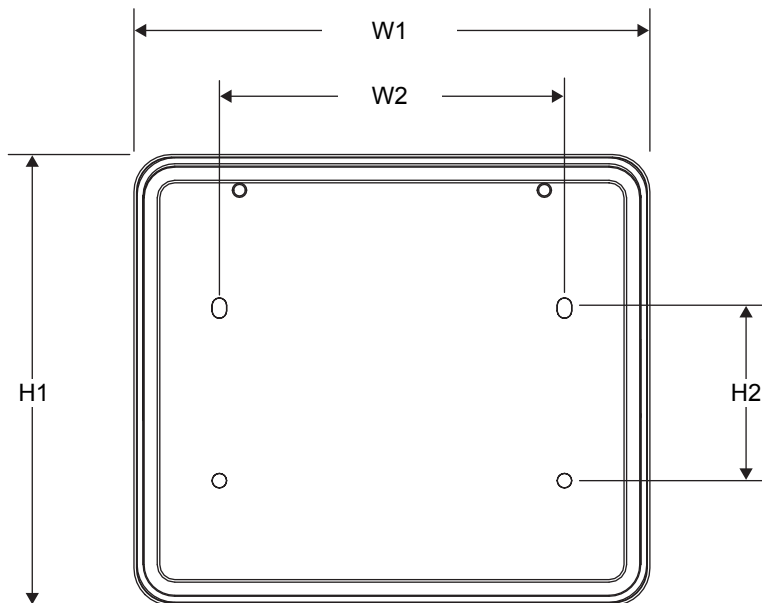
## SMM SPECIFICATIONS

Power Supply Source .....	240 VAC (from Line input)
Supported Voltages .....	240 VAC
Contactor Coil Voltage.....	240 VAC
Coil VA Inrush.....	30
Coil VA Sealed.....	6.5
Poles .....	2
Resistive Amps .....	50
F/L Inductive Amps .....	40
Locked Rotor Amps.....	240@240V
UI 50 .....	Yes
Enclosure Rating.....	NEMA 3R

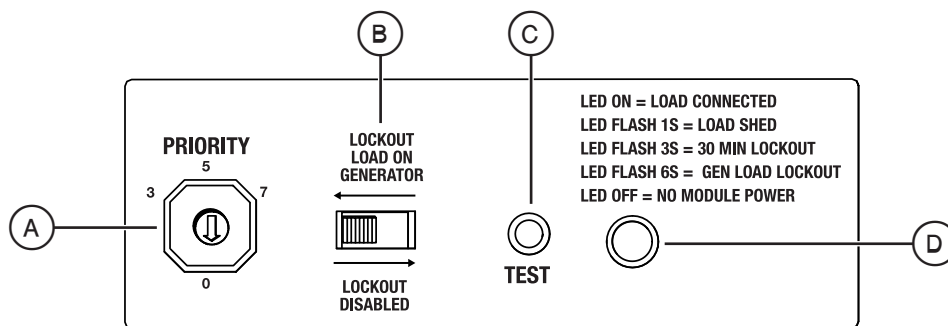
**Smart Management Modules (SMM)**

**Dimensions and UPC**

Model	006873-0	
Height (in/mm)	H1	6.17/156.8
	H2	2.36/60
Width (in/mm)	W1	7.06/179.4
	W2	4.72/120
Depth (in/mm)	3.7/94	
Weight (lbs/kilos)	2.06/0.94	
Shipping Weight (lbs/kilos)	2.44/1.11	
UPC Code	696471068733	



**SMM Controls (located behind the cover of the module)**



- Priority Dial (A) – Sets module priority.
- Lockout Switch (B) – Prevents load from operating when system is operating under generator power.
- Test Button (C) – Disables contactor output for a specified time.
- LED (D) – Provides module status with easy viewing through the external viewing window located in the upper right corner of the module.