

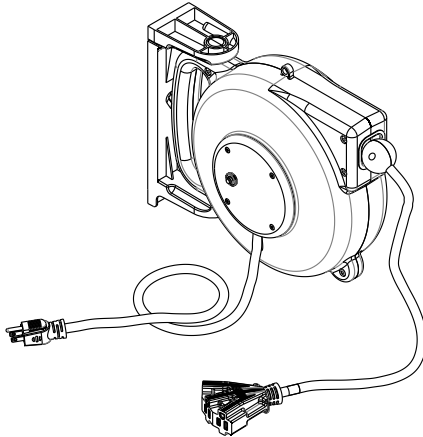
FIRMAN[®]

OPERATOR'S MANUAL

2-IN-1: MOUNTABLE & PORTABLE

30 FT (9M)

RETRACTABLE EXTENSION CORD REEL



2035

REV LEV00



Record product information to reference when ordering parts or obtaining warranty coverage.

PURCHASE DATE: _____

REGISTER YOUR PRODUCT

Register your product using the QR code provided or at www.firmanpowerequipment.com.



Thank you for purchasing a FIRMAN product. This manual contains safety information to make you aware of the hazards and risk associated with this product and how to avoid them. It is important that you read and understand these instructions thoroughly before attempting to use this product. Save this manual for future reference.

All information in this publication is based on the latest production information available at the time of approval of printing. The manufacturer reserves the right of change, alter or otherwise improve this product and this documentation at any time without prior notice.

WARNING! Handling the cord on this product will expose you to lead and lead compounds, a chemical known to the State of California to cause cancer, and birth defects or other reproductive harm. Wash hands after handling. For more information, go to www.P65Warnings.ca.gov.

ELECTRICAL RATING

12/3 SJTW 125V 15 AMP 1875 W

This product has a 3 prong polarized input power cord plug. Never attempt to bypass this safety feature by removing the ground pin. This plug will fit into a grounded outlet only one way. If the plug does not fit into the outlet fully, contact a qualified electrician. Never use with a two wire extension cord.

OPERATION

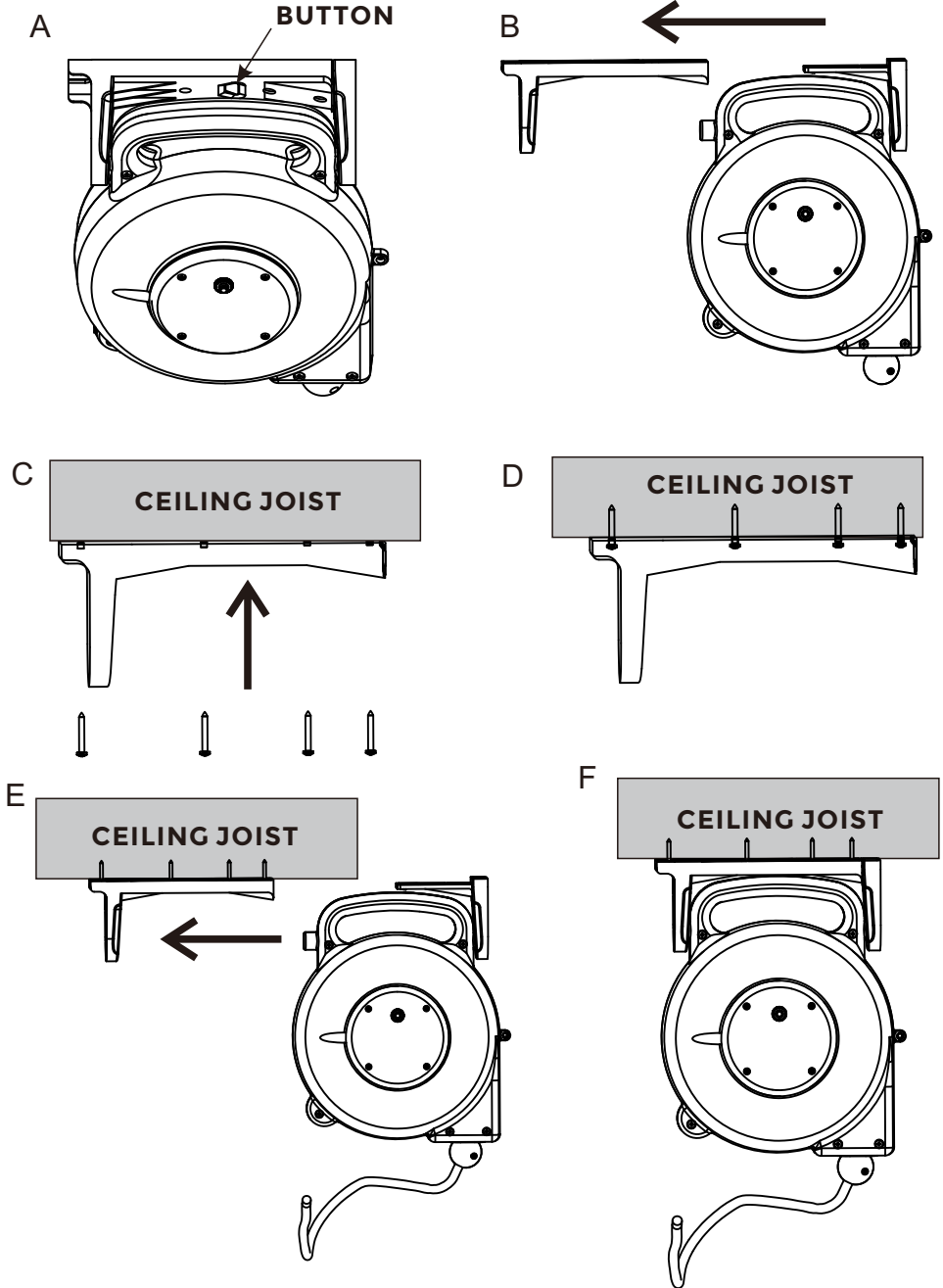
1. Check cord operation by slowly pulling out cable. A "clicking" noise will be heard every half revolution.
2. To latch the cord reel, pull out the cable and allow it to retract after hearing two or three clicks.
3. To unlatch the cord, slowly pull out the cable and after two or three clicks allow it to slowly retract until the stopper rests against the cable guide.
4. Extend cord fully prior to each use.
5. Plug into a 120V/60Hz grounded outlet. The LED light, in the triple tap, indicates power to the cord.
6. When reel is not in use, retract cord and store indoors.
7. If cord reel is overloaded, the thermal circuit breaker will automatically open. Remove any devices plugged into the cord and push the reset button on the cord reel housing to restore power. Once power is restored the triple tap light will turn on.

MOUNTING INSTRUCTIONS

Mounts to wall or ceiling or easily remove cord reel from bracket for portable use.

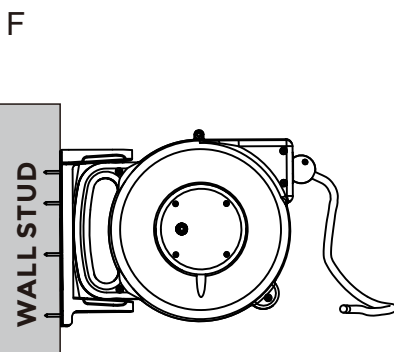
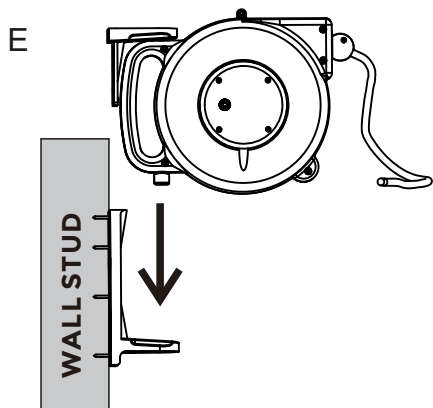
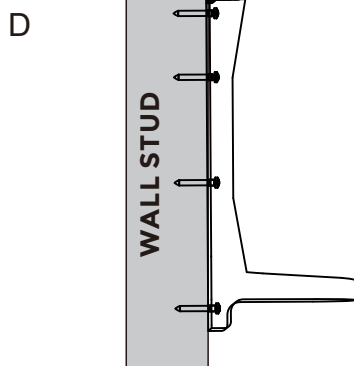
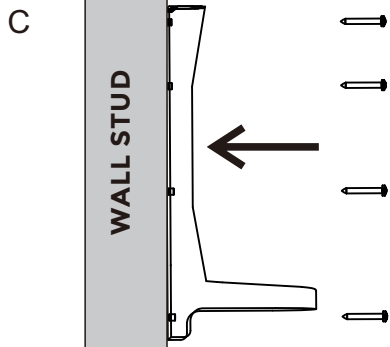
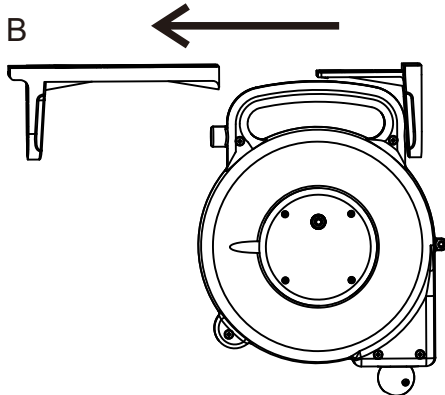
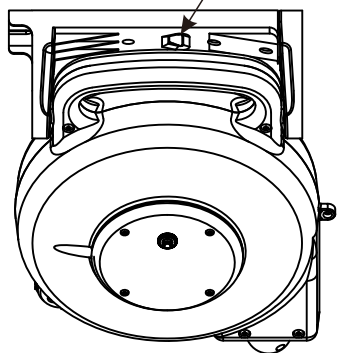
1. Select a mounting location within 2 feet (0.6M) of a properly grounded electrical outlet. The outlet for a garage door opener is ideal.
2. Drywall will not hold the weight of the cord reel. It is necessary to locate a ceiling joist or wall stud.
3. Press button located on the center of the mounting bracket to separate the two pieces.
4. Using the separate installation template provided or the longer mounting bracket half, mark the four mounting screw locations. Make sure the marked screw locations are centered on ceiling joist or wall stud selected.
5. Line up the mounting bracket holes over the marked screw locations and secure long mounting bracket half to ceiling joist or wall stud using suitable screws.
6. Insert one side of the cord reel into the mounted bracket and support the weight while sliding the second half of the mounting bracket into place until it locks, securing the cord reel.
7. If cable stopper adjustment is desired, pull cable from reel and allow the cord to latch at the desired length. Loosen stopper screw and slide stopper to desired position. Tighten stopper screw.

MOUNTING TO CEILING



MOUNTING TO WALL

A **BUTTON**



FEATURES

- ETL listed
- Hang from ceilings or walls
- Includes mounting bracket
- Cord reel housing doubles as carrying handle
- Lighted triple tap for ease of use at night
- Heavy duty strain relief power input plug
- Molded male triple tap
- Circuit breaker included

NOTICE

- Do not use in areas that are damp or wet.
- Always unplug and store indoors when not in use and never exceed recommended electrical ratings.
- Do not use this cord reel where explosive environments may exist.
- Inspect cord reel before each use, do not use if damaged.
- Do not use as fixed permanent wiring.
- Prior to use always make sure plugs are fully inserted into the receptacle.
- Always keep children away.
- This is considered a general use cord reel only.
- Do not attempt to repair, splice, or modify.

IMPORTANT SAFETY & CARE INSTRUCTIONS

- Combined load of all items plugged into this cord, at one time, must not exceed the amperage rating of the cord.
- Do not allow cable to retract without restraining the retraction speed as damage to cord reel may occur. Use the cord stop to hold cord at the desired length when cord is retracted.
- Always unplug the power source before cleaning the cord reel. Use a soft cloth with mild detergent to clean the outside of the cord reel. Do not use petroleum based products to clean the cord reel.
- After each use, remove tools from the extension cord and never allow tools to hang from cord.
- Follow all warnings and instructions .
- Disconnect cord reel from power source prior to service.

FIRMAN 120 Day Limited Warranty

Warranty Qualifications

Register your product using the QR code provided or at www.firmanpowerequipment.com. Please submit your warranty registration and your proof of purchase within ten(10) days of the date of purchase.



1. FIRMAN warranties this cable reel against defects in material and craftsmanship.
2. FIRMAN's warranty is limited to replacement or repair of defective material within the warranty period.
3. The warranty does not cover damage caused by misuse or improper installation.
4. The cord reel must be installed and maintained in compliance with operator's manual.

FOLLOW US ON SOCIAL MEDIA

USE

#EVERYGENERATORTELLSASTORY™

FOR YOUR CHANCE TO WIN FIRMAN SWAG



FIRMAN POWER EQUIPMENT
8644 W. LUDLOW DR.
PEORIA, AZ 85381
1-844-347-6261
WWW.FIRMANPOWEREQUIPMENT.COM

All rights reserved. Any reprinting or unauthorized use without FIRMAN's written permission is expressly prohibited.
P/N:318747002 REV:01