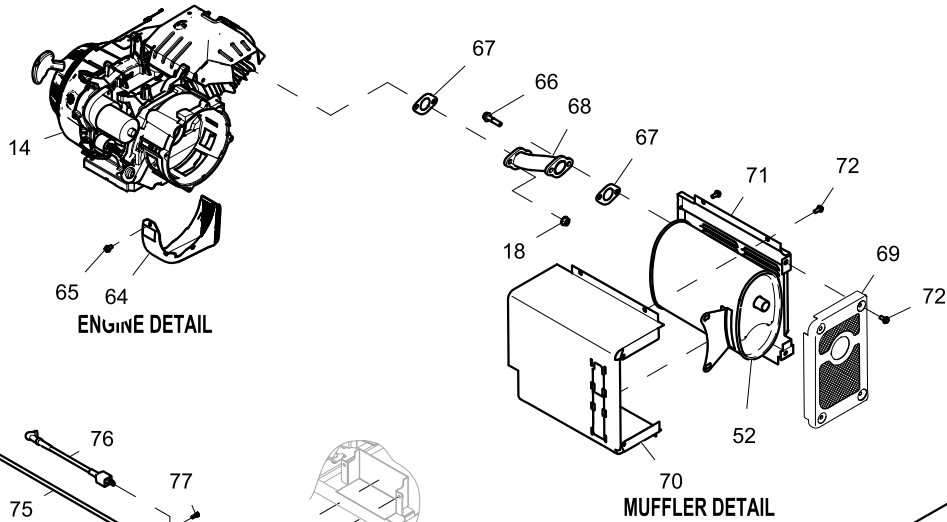


# GROUP EV

ITEM	PART	QTY.	DESCRIPTION
1	0J4690	1	FUEL CAP, VENTED, BLACK CAP
2	0H1326	1	FILTER, FUEL
3	0J4601	1	FUEL TANK 5.8GAL HNYWL
4	0J4030	4	SCREW HHFC M6-1.0 X 25 FTH
5	0H1411B	4	RUBBER MOUNT, 10.3 ID X 11 HGT
6	0H1610A	4	INSERT, ANTI-CRUSH FOR TANKS
7	0J0974	1	VALVE FUEL SHUTOFF
8	048031B	2	CLAMP HOSE BAND SPRING .38
9	0G9757C	1	FUEL HOSE 4 ID X 8.50D X 165MM
10	0H1359	1	PLATE, FUEL GAGE
11	0H1345A	1	FUEL GAGE, 90MM LONG ARM
12	054381	4	WASHER FLAT .266ID X 1.00D
13	0H1357	2	SCREW PFHM M5-0.8 X 12
14	SEE SHEET 2	-	ENGINE HNYWL
15	0J2085	3	VIB MNT 45DEG M8X13.5/M10X37.5
16	0J2085A	3	VIB MNT 45DEG M8X15.5/M10X37.5
17	0J4029	6	NUT HEX FL WHIZ M10-1.25
18	067989	18	NUT HEX FL WHIZ M8-1.25
19	0G8542	1	BRACKET, MUFFLER 389CC
20	0742600197	1	GND WIRE PORT BRG CARR-FRAME
21	0J3047	1	LUG GROUNDING HONEYWELL
22	0A1658	1	WASHER LOCK SPECIAL 1/4"
23	049813	1	NUT HEX M6-1.0 G8 CLEAR ZINC
24	0J2862	2	RUBBER FOOT
25	0J3665	2	BENT FOOT HONEYWELL
26	0J3645	1	WELDMNT AXLE AND BRACKET HW
27	0J3961	1	AXLE BRACKET HONEYWELL

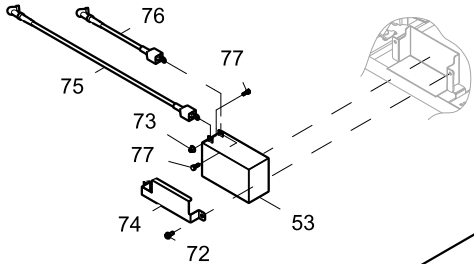
ITEM	PART	QTY.	DESCRIPTION
28	0H3443	2	COTTER HAIRPIN 2.56 X .80
29	0J2666	2	WHEEL 10.25" OD 5/8" AXLE
30	0J2665	2	GRIP HANDLE HONEYWELL
31	0J3462A	1	BRACKET HANDLE LH HW PORT
32	0J3462	1	BRACKET HANDLE RH HW PORT
33	0J3474	2	HANDLE, HW PORTABLE
34	0H1782	6	CAP NUT M8-1.25 BLACK ZINC
35	0H1781A	4	CHB M8-1.25 X 40MM LONG
36	0H1779	2	SCREW, HHFC M8-1.25 X 45
37	0G5442	2	SNAP BUTTON - .437" DIA. HEAD
38	SEE SHEET 2	-	CRADLE WELDMNT HNYWL
39	0J3508	1	WELDMNT END RAIL HONEYWELL
40	0J3074	1	BADGE, HW SIDE PANEL
41	0J2804	1	PANEL, PLASTIC SIDE C-PNL PORT
42	038150	6	WASHER FLAT #8 ZINC
43	0J4616	6	SCREW PPPH #8-16 X 0.40" BZC
44	SEE SHEET 2	-	CONTROL PANEL HONEYWELL
45	0G8382	5	SCREW PPPH #8-16 X .66" BZC
46	SEE SHEET 2	-	ASSY ALTERNATOR
47	0E9507A	14	SCREW HHFC M8-1.25 X 14 W/M10
48	0E9507B	2	SCREW HHFC M8-1.25 X 25 W/M10
49	0J4032	2	WSHR FLAT 22.6OD X 8.6ID X3
50	022247	2	WASHER FLAT 5/8 ZINC
51	0J4033	12	SCREW HHFC M6-1.0 X 14
52	SEE SHEET 2	-	MUFFLER HNYWL
53	SEE SHEET 2	-	BATTERY 12V10AH SEALED

ENGINE TABLE						
ITEM	QTY.	DESCRIPTION	5500W PS	5500W ES	6500W PS	7500W ES
14	1	ENGINE	0G8442B	0H9198B	0G8442B	0H9838B
68	1	MANIFOLD	0J3341	0J3341	0J3341	0J3341A
38	1	CRADLE WELDMENT HNYWL	0J3463A	0J3463	0J3463A	0J3463B

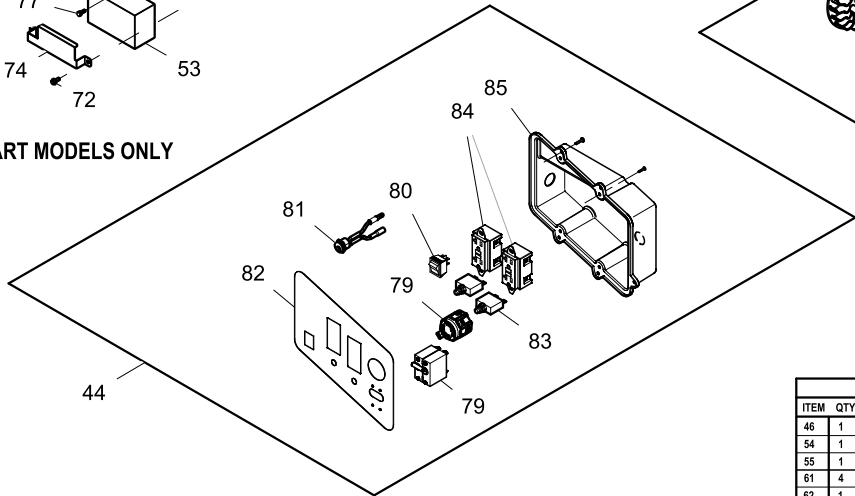


ENGINE DETAIL

MUFFLER DETAIL

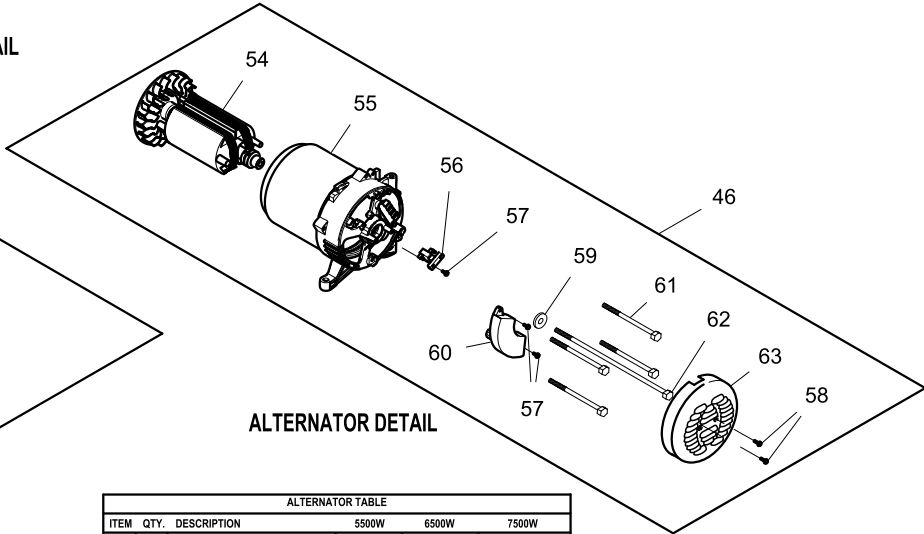


ELECTRIC START MODELS ONLY



CONTROL PANEL DETAIL

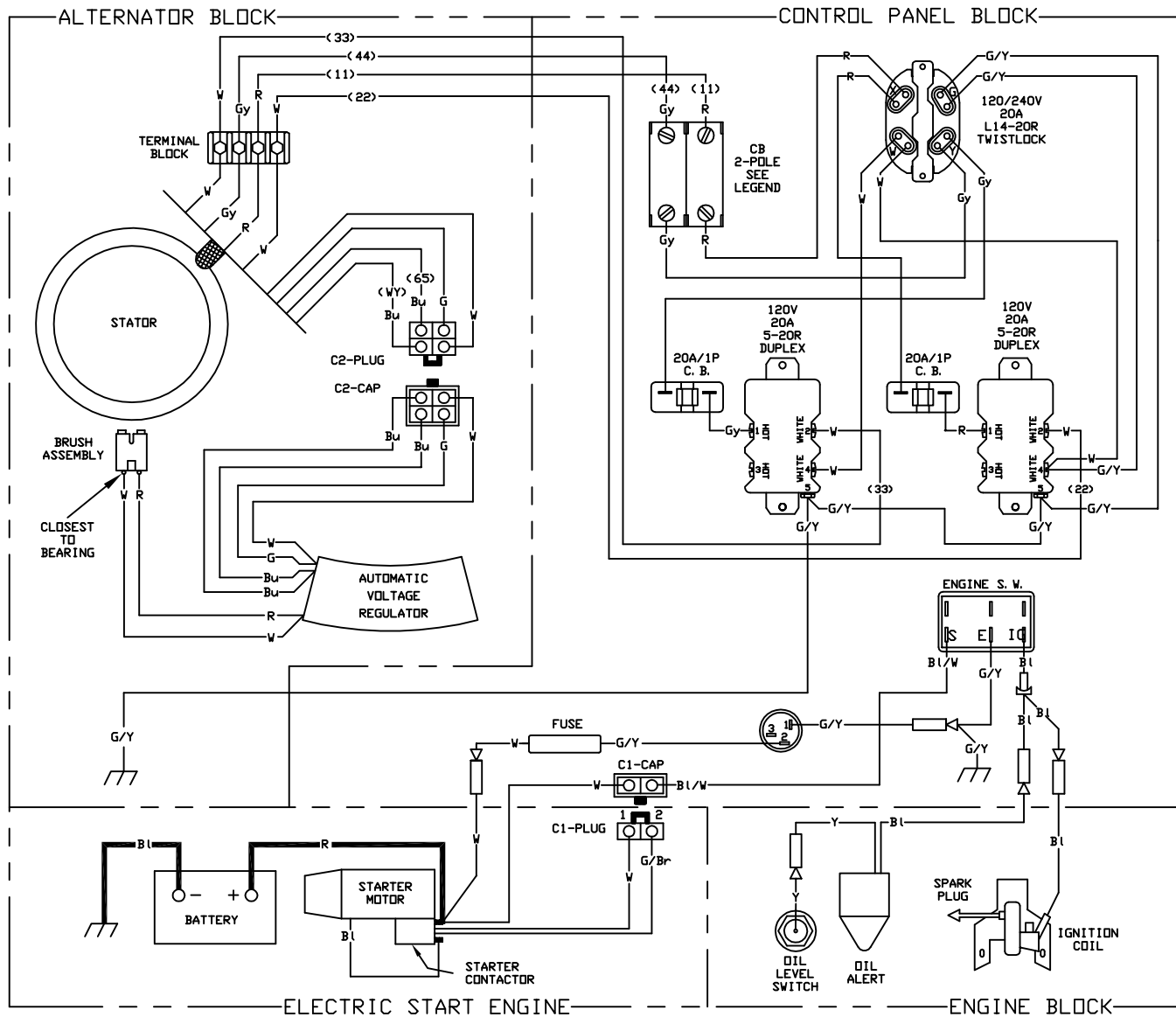
CONTROL PANEL TABLE						
ITEM	QTY.	DESCRIPTION	5500W PS	5500W ES	6500W PS	7500W ES
44	1	CONTROL PANEL HONEYWELL	0J2805	0J2805A	0J2805B	0J2805D
79	1	BREAKER 2P 240V	0G9023B	0G9023B	0G9023C	0G9023C
80	1	START/STOP SWITCH	0J0251A	0J0251	0J0251A	0J0251
81	1	ASSY 12VDC POWER JACK WILUGS	-	0H0025	-	0H0025
82	1	FACEPLATE,WELDMNT W/OUT HR MTR	0J3242B	0J3242A	0J3242B	0J3242A



ALTERNATOR DETAIL

ALTERNATOR TABLE					
ITEM	QTY.	DESCRIPTION	5500W	6500W	7500W
46	1	ASSY ALTERNATOR	0J4062	0H1281	0H9209
54	1	ASSY ROTOR W/FAN	0J4970	0J4971	0J4972
55	1	ASSY STATOR	0J4974	0J4975	0J4976
61	4	SCREW HHC M6-1.0 X 185 C8.8	0J4979	0J4979	0J4980
62	1	SCREW HHC M10-1.5 X 275 C10.9	0J4982	0J4982	0J4983

ITEM	PART	QTY.	DESCRIPTION
52	0J4608	1	MUFFLER HNYWL
53	0G9449	1	BATTERY 12V10AH SEALED
56	0H0919	1	ASSEMBLY,BRUSH
57	0J4967	3	SCREW HHFC M5-0.8 X 12
58	0J4968	2	SCREW HHFC M5-0.8 X 16
59	070264	1	WASHER FLAT M10
60	0H2579B	1	AVR 5.5-7.5KW ALT
63	0H3049	1	COVER ALTERNATOR INLET 5-7KW
64	0J3877	1	SCROLL, HONEYWELL
65	045770	3	SCREW HHC M5-0.8 X 10 C8.8
66	0D2414	2	SCREW HHFC M8-1.25 X 35 G8.8
67	0G9028	2	GASKET, EXHAUST, 389CC
69	0J3678	1	MUFFLER SHIELD FRONT HONEYWELL
70	0J3679	1	MUFFLER SHIELD ALT SIDE HNYWL
71	0J3680	1	MUFFLER SHIELD FRAME SIDE HW
72	0J4033	14	SCREW HHFC M6-1.0 X 14
73	0H3535	2	NUT FLANGE M5-0.8 NYLOCK
74	0J0694	1	BRACKET BATTERY GP 5.5-7.5E
75	0J4157A	1	WIRE ASSY,BATT NEG,GRN
76	0J4157B	1	WIRE ASSY,BATT POS,RED
77	052618	2	SCREW HHC M5-0.8 X 12 C8.8
78	0G8758	1	OUTLET 30A 120/250V SPCGR
79	0H0265C	2	CB 20A 1P 120V CUL/CSA JOEMEX
84	0H2928	2	OUTLET 20A 120V DPLX SPECGRADE
85	0J2807	1	PANEL,CONTROL BACK BOX H PORT



ENGINE SWITCH LEGEND

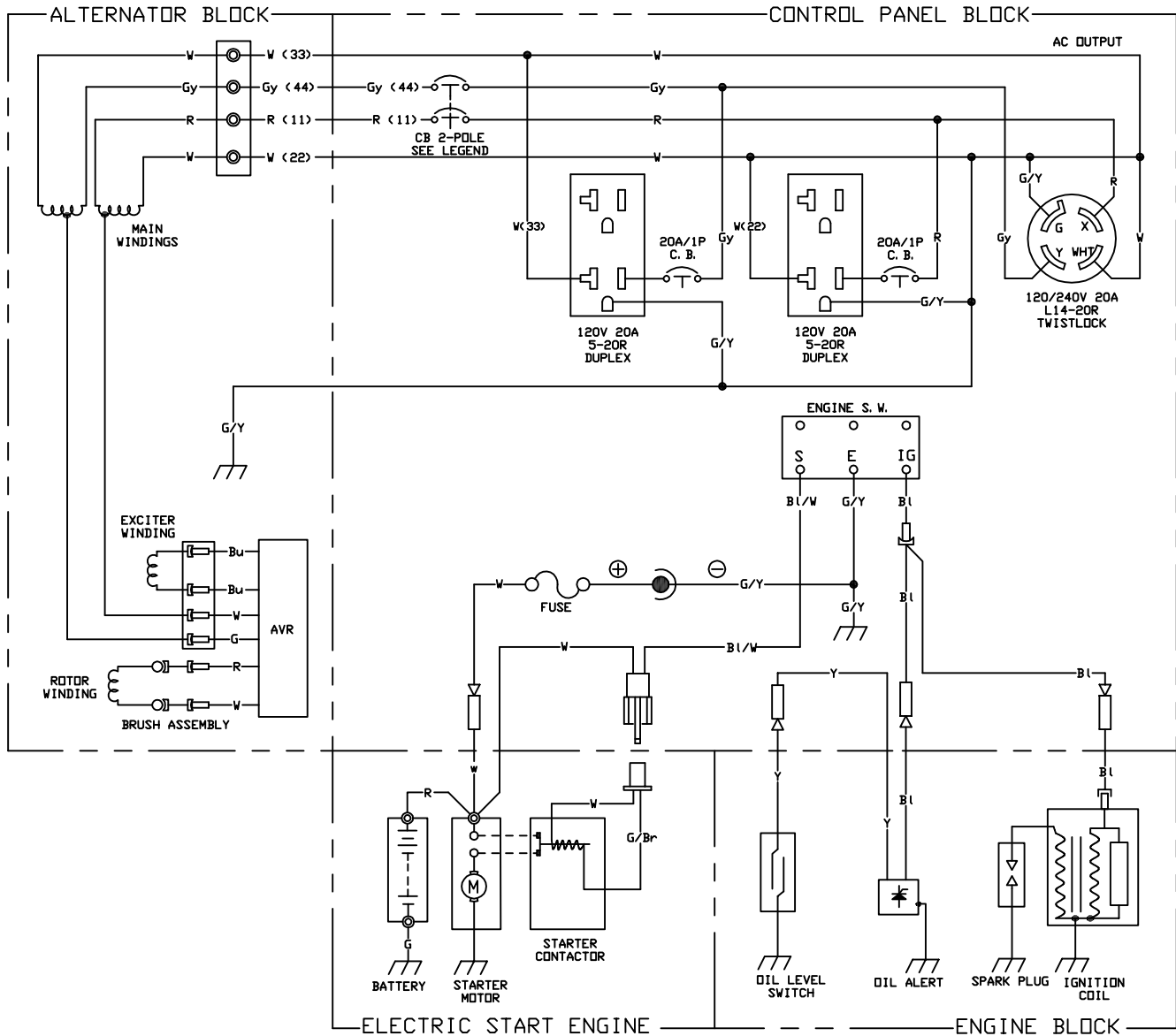
	I	G	E	S
OFF	○	○		
ON				
START			○	○

WIRE LEGEND

W	WHITE	Br	BROWN
G	GREEN	Gy	GRAY
R	RED	Y	YELLOW
Bu	BLUE	Bl	BLACK

CB 2-POLE LEGEND

GENERATOR MODEL	CB RATING
HW5500E	25 AMP
HW7500E	30 AMP



ENGINE SWITCH LEGEND

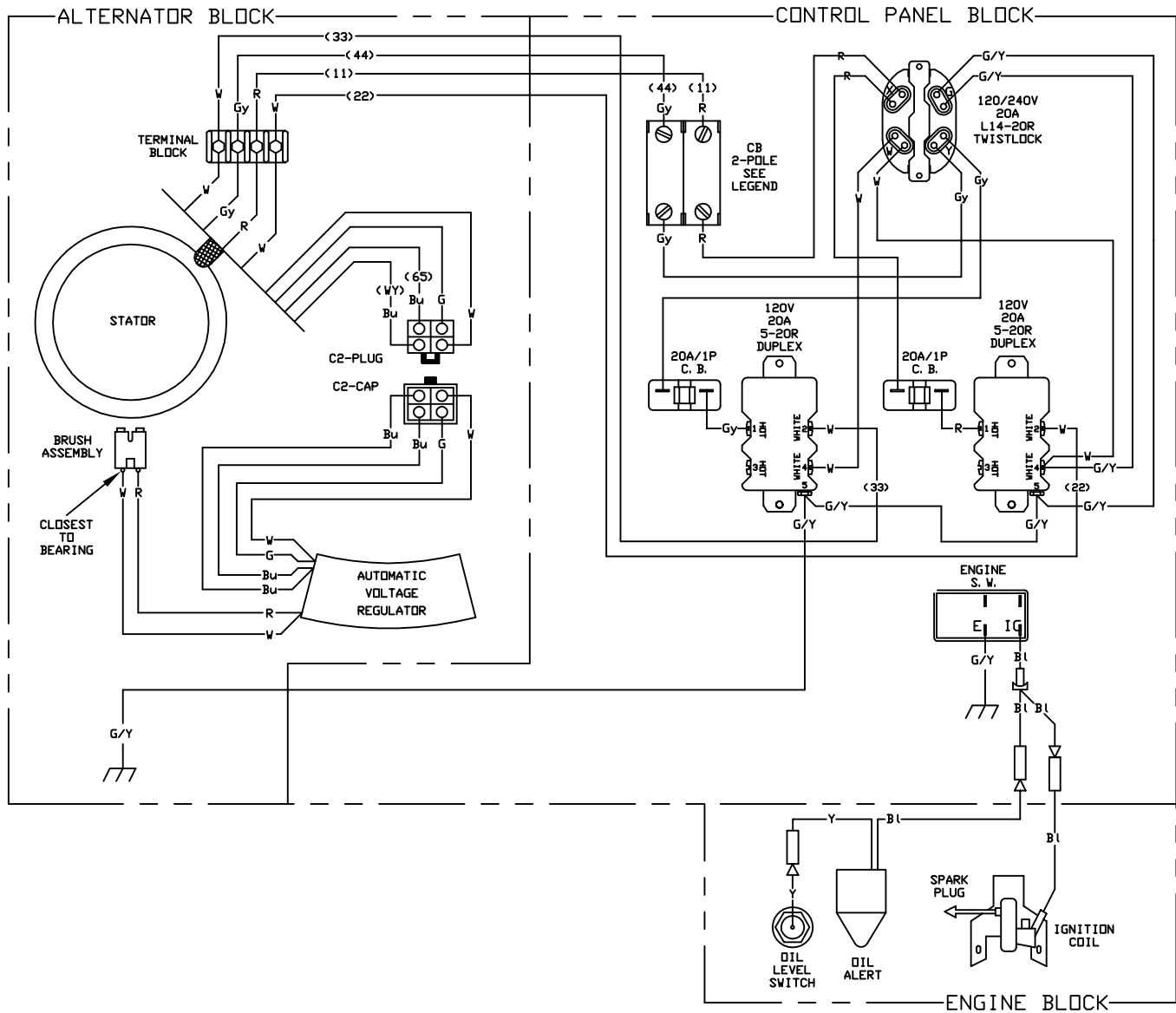
	I	G	E	S
OFF	○	○		
ON				
START		○	○	

WIRE LEGEND

W	WHITE	Br	BROWN
G	GREEN	Gy	GRAY
R	RED	Y	YELLOW
Bu	BLUE	Bl	BLACK

CB 2-POLE LEGEND

GENERATOR MODEL	CB RATING
HW5500E	25 AMP
HW7500E	30 AMP



ENGINE SWITCH  
LEGEND

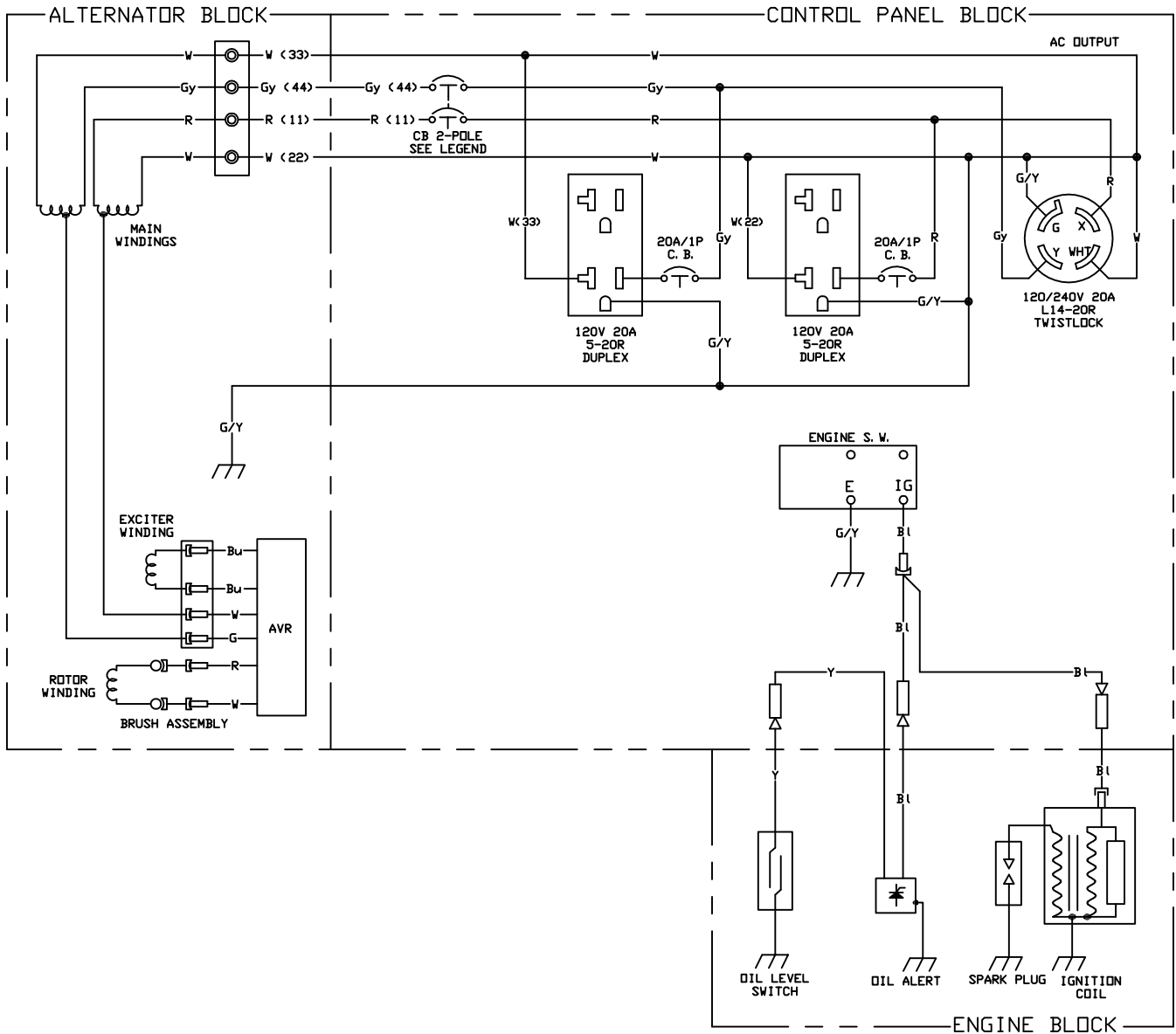
	I	E	S
OFF	○	○	
ON			

WIRE LEGEND

W	WHITE	Br	BROWN
G	GREEN	Gy	GRAY
R	RED	Y	YELLOW
Bu	BLUE	Bl	BLACK

CB 2-POLE LEGEND

GENERATOR MODEL	CB RATING
HW5500	25 AMP
HW6500	30 AMP



ENGINE SWITCH  
LEGEND

	IG	E	S
OFF	○	○	
ON			

WIRE LEGEND

W	WHITE	Br	BROWN
G	GREEN	Gy	GRAY
R	RED	Y	YELLOW
Bu	BLUE	Bl	BLACK

CB 2-POLE LEGEND

GENERATOR MODEL	CB RATING
HW5500	25 AMP
HW6500	30 AMP