

STANDBY GENERATORS

8 & 11 kW

AIR-COOLED GENERATOR SETS

Standby Power Rating

Model 006703-0 (Aluminum - Dark Gray) - 8 kW 60 Hz

Model 006442-0 (Aluminum - Dark Gray) - 11 kW 60 Hz



INCLUDES

- PrecisionPower™ Electrical Technology
- Two Line LCD Multilingual Digital Controller (English/Spanish/French/Portuguese)
- Electronic Governor
- External Main Circuit Breaker, System Status & Maintenance Interval LED Indicators
- Flexible Fuel Line Connector
- GFCI Duplex Outlet
- WhisperCheck™ Exercise
- Mobile Link™ Cellular Monitoring System*
- Composite Mounting Pad
- Aluminum Enclosure
- Base Fascia
- Natural Gas or LP Gas Operation
- 5 Year Comprehensive Warranty
- Capability to be installed within 18" (457 mm) of a building**



*Built in the USA using domestic and foreign parts



* Download the free App at

** Only if located away from doors, windows and fresh air intakes, and unless otherwise directed by local codes.

FEATURES

- **INNOVATIVE DESIGN & PROTOTYPE TESTING** are key components of our success in "IMPROVING POWER BY DESIGN." But it doesn't stop there. Total commitment to component testing, reliability testing, environmental testing, destruction and life testing, plus testing to applicable CSA, NEMA, EGSA, and other standards, allows you to choose Honeywell generators with the confidence that these systems will provide superior performance.
- **TEST CRITERIA**
 - ◆ PROTOTYPE TESTED
 - ◆ SYSTEM TORSIONAL TESTED
 - ◆ NEMA MG1-22 EVALUATION
 - ◆ MOTOR STARTING ABILITY
- **PrecisionPower™ ELECTRICAL TECHNOLOGY** Superior harmonics and sine wave form produce less than 5% Total Harmonic Distortion for utility quality power. This allows confident operation of sensitive electronic equipment and micro-chip based appliances, such as variable speed HVAC.
- **SOLID-STATE, FREQUENCY COMPENSATED VOLTAGE REGULATION** This state-of-the-art power maximizing regulation system is standard on all Honeywell models. It provides optimized FAST RESPONSE to changing load conditions and MAXIMUM MOTOR STARTING CAPABILITY by electronically torque-matching the surge loads to the engine. Digital voltage regulation at +/- 1%.
- **SINGLE SOURCE SERVICE RESPONSE** from our extensive dealer network provides parts and service know-how for the entire unit, from the engine to the smallest electronic component.
- **Honeywell TRANSFER SWITCHES** The Honeywell generator line includes its own transfer systems and controls for total system compatibility.
- **Mobile Link Cellular Monitoring System** - Mobile Link is the new cellular remote monitoring system that lets you check your generator's status even when you are away using your computer, tablet or smart phone. With Mobile Link, you will always know exactly what your generator is doing when you are on the go.

8 & 11 kW

AIR-COOLED GENERATOR SETS

ENGINE

| | |
|---|--|
| <ul style="list-style-type: none">• Generac OHVI® design• “Spiny-lok” cast iron cylinder walls• Electronic ignition/spark advance• Full pressure lubrication system• Low oil pressure shutdown system• High temperature shutdown | <p>Maximizes engine “breathing” for increased fuel efficiency. Plateau honed cylinder walls and plasma moly rings help the engine run cooler, reducing oil consumption resulting in longer engine life.</p> <p>Rigid construction and added durability provide long engine life.</p> <p>These features combine to assure smooth, quick starting every time.</p> <p>Pressurized lubrication to all vital bearings means better performance, less maintenance and longer engine life. Now featuring up to a 2 year/200 hour oil change interval.</p> <p>Shutdown protection prevents catastrophic engine damage due to low oil.</p> <p>Prevents damage due to overheating.</p> |
|---|--|

GENERATOR

| | |
|--|--|
| <ul style="list-style-type: none">• Revolving field• Skewed stator• Displaced phase excitation• Automatic voltage regulation• UL 2200 listed | <p>Allows for smaller, light weight unit that operates 25% more efficiently than a revolving armature generator.</p> <p>Produces a smooth output waveform for compatibility with electronic equipment.</p> <p>Maximizes motor starting capability.</p> <p>Regulates the output voltage to $\pm 1\%$ prevents damaging voltage spikes.</p> <p>For your safety.</p> |
|--|--|

TRANSFER SWITCH

Sold separately

SYNC™ 2.0 CONTROLS

| | |
|---|---|
| <ul style="list-style-type: none">• Auto/Manual/Off illuminated buttons• Two-line LCD multilingual display• Sealed, raised buttons• Utility voltage sensing• Generator voltage sensing• Utility interrupt delay• Engine warm-up• Engine cool-down• Programmable exerciser• Smart battery charger• Electronic governor | <p>Selects the operating mode and provides easy, at-a-glance status indication in any condition.</p> <p>Provides homeowners easily visible logs of history, maintenance and events up to 50 occurrences.</p> <p>Smooth, weather-resistant user interface for programming and operations.</p> <p>Constantly monitors utility voltage, setpoints 60% dropout, 80% pick-up, of standard voltage.</p> <p>Constantly monitors generator voltage to ensure the cleanest power delivered to the home.</p> <p>Prevents nuisance start-ups of the engine, adjustable 2-1500 seconds from the factory default setting of 5 seconds by a qualified dealer.</p> <p>Ensures engine is ready to assume the load, setpoint approximately 5 seconds.</p> <p>Allows engine to cool prior to shutdown, setpoint approximately 1 minute.</p> <p>Operates engine to prevent oil seal drying and damage between power outages by running the generator for 12 minutes every other week. Also offers a selectable setting for weekly or monthly operation providing flexibility and lower fuel costs to the owner.</p> <p>Delivers charge to the battery only when needed at varying rates depending on outdoor air temperature.</p> <p>Maintains constant 60 Hz frequency.</p> |
|---|---|

UNIT

| | |
|--|---|
| <ul style="list-style-type: none">• Aluminum weather protective enclosure• Enclosed critical grade muffler• Small, compact, attractive | <p>Provides protection against mother nature and can withstand winds up to 150 mph. Hinged key locking roof panel for security. Lift-out front for easy access to all routine maintenance items. Electrostatically applied textured epoxy paint for added durability.</p> <p>Quiet, critical grade muffler is mounted inside the unit to prevent injuries.</p> <p>Makes for an easy, eye appealing installation, as close as 18” away from a building.*</p> |
|--|---|

INSTALLATION SYSTEM

| | |
|---|---|
| <ul style="list-style-type: none">• 1 ft (305 mm) flexible fuel line connector• Composite mounting pad | <p>Absorbs any generator vibration when connected to rigid pipe.</p> <p>Eliminates the need to pour a concrete pad unless required by local municipalities.</p> |
|---|---|

| GENERATOR | Model 006703-0 (8 kW) | Model 006442-0 (11 kW) |
|--|---|------------------------|
| Rated Maximum Continuous Power Capacity (LP) | 8,000 Watts* | 11,000 Watts* |
| Rated Maximum Continuous Power Capacity (NG) | 7,000 Watts* | 10,000 Watts* |
| Rated Voltage | 240 | 240 |
| Rated Maximum Continuous Load Current – 240 V (LP/NG) | 33.3/29.16 | 45.8/41.7 |
| Total Harmonic Distortion | Less than 5% | Less than 5% |
| Main Line Circuit Breaker | 50 Amp | 50 Amp |
| Phase | 1 | 1 |
| Number of Rotor Poles | 2 | 2 |
| Rated AC Frequency | 60 Hz | 60 Hz |
| Power Factor | 1.0 | 1.0 |
| Battery Requirement (not included) | Group 26R, 12 Volts and 525 CCA Minimum | |
| Unit Weight (lb/kg) | 421/190.9 | 373/169.2 |
| Dimensions (L x W x H) in/mm | 48 x 25 x 29/1218 x 638 x 732 | |
| Sound output in dB(A) at 23 ft (7 m) with generator operating at normal load** | 66 | 63 |
| Sound output in dB(A) at 23 ft (7 m) with generator in WhisperCheck™ low speed exercise mode** | 60 | 57 |

| ENGINE | GENERAC OHVI | GENERAC OHVI |
|-------------------------------|--|------------------------------|
| Type of Engine | 1 | 2 |
| Number of Cylinders | 410 cc | 530 cc |
| Displacement | Aluminum w/ Cast Iron Sleeve | Aluminum w/ Cast Iron Sleeve |
| Cylinder Block | Overhead Valve | Overhead Valve |
| Valve Arrangement | Solid-state w/ Magneto | Solid-state w/ Magneto |
| Ignition System | Electronic | Electronic |
| Governor System | 9.5:1 | 9.5:1 |
| Compression Ratio | 12 Vdc | 12 Vdc |
| Starter | Approx. 1.5 qt/1.4 L | Approx. 1.7 qt/1.6 L |
| Oil Capacity Including Filter | 3,600 | 3,600 |
| Operating rpm | Fuel Consumption | |
| Natural Gas | ft ³ /hr (m ³ /hr) | |
| | 1/2 Load | 78 (2.21) |
| | Full Load | 121 (3.43) |
| Liquid Propane | ft ³ /hr (gal/hr) [l/hr] | |
| | 1/2 Load | 31.6 (0.87) [3.29] |
| | Full Load | 51.6 (1.42) [5.37] |
| | | 42.8 (1.18) [4.45] |
| | | 70 (1.92) [7.28] |

Note: **Fuel pipe must be sized for full load.** Required fuel pressure to generator fuel inlet - 3.5-7" water column (7-13 mm mercury) for natural gas, 10-12" water column (19-22 mm mercury) for LP gas. For Btu content, multiply ft³/hr x 2500 (LP) or ft³/hr x 1000 (NG). For Megajoule content, multiply m³/hr x 93.15 (LP) or m³/hr x 37.26 (NG).

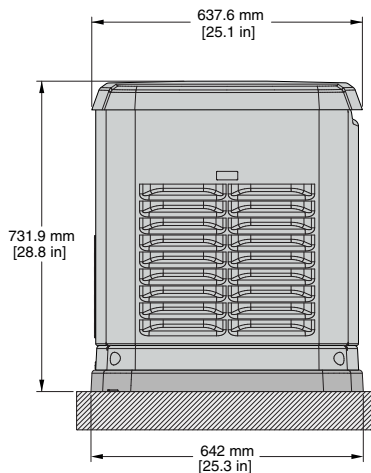
| CONTROLS | |
|---|--|
| 2-Line Plain Text Multilingual LCD Display | Simple user interface for ease of operation. |
| Mode Buttons: Auto | Automatic Start on Utility failure. 7 day exerciser. |
| Manual | Start with starter control, unit stays on. If utility fails, transfer to load takes place. |
| Off | Stops unit. Power is removed. Control and charger still operate. |
| Ready to Run/Maintenance Messages | Standard |
| Engine Run Hours Indication | Standard |
| Programmable start delay between 2-1500 seconds | Standard (programmable by dealer only) |
| Utility Voltage Loss/Return to Utility Adjustable (Brownout Setting) | From 140-171 V/190-216 V |
| Future Set Capable Exerciser/Exercise Set Error Warning | Standard |
| Run/Alarm/Maintenance Logs | 50 Events Each |
| Engine Start Sequence | Cyclic cranking: 16 sec on, 7 rest (90 sec maximum duration). |
| Starter Lock-out | Starter cannot re-engage until 5 sec after engine has stopped. |
| Smart Battery Charger | Standard |
| Charger Fault/Missing AC Warning | Standard |
| Low Battery/Battery Problem Protection and Battery Condition Indication | Standard |
| Automatic Voltage Regulation with Over and Under Voltage Protection | Standard |
| Under-Frequency/Overload/Stepper Overcurrent Protection | Standard |
| Safety Fused/Fuse Problem Protection | Standard |
| Automatic Low Oil Pressure/High Oil Temperature Shutdown | Standard |
| Overcrank/Overspeed (@ 72 Hz)/rpm Sense Loss Shutdown | Standard |
| High Engine Temperature Shutdown | Standard |
| Internal Fault/Incorrect Wiring Protection | Standard |
| Common External Fault Capability | Standard |
| Field Upgradable Firmware | Standard |

**Sound levels are taken from the front of the generator. Sound levels taken from other sides of the generator may be higher depending on installation parameters. Rating definitions - Standby: Applicable for supplying emergency power for the duration of the utility power outage. No overload capability is available for this rating. (All ratings in accordance with BS5514, ISO3046 and DIN6271). * Maximum wattage and current are subject to and limited by such factors as fuel Btu/megajoule content, ambient temperature, altitude, engine power and condition, etc. Maximum power decreases about 3.5 percent for each 1,000 feet (304.8 meters) above sea level; and also will decrease about 1 percent for each 6 °C (10 °F) above 16 °C (60 °F).

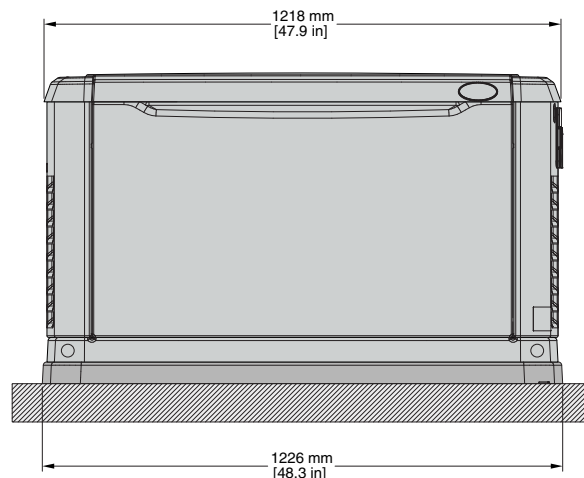
AVAILABLE ACCESSORIES

| Model # | Product | Description |
|-------------------------------------|---------------------------------------|---|
| 005819-0 | 26R Wet Cell Battery | Every standby generator requires a battery to start the system. The recommended 26R wet cell battery is for use with all air-cooled standby product. |
| 006212-0 | Cold Weather Kit | If the temperature regularly falls below 32 °F (0 °C), install a cold weather kit to maintain optimal battery and oil temperatures. Kit consists of a battery warmer and oil filter heater with built-in thermostats. |
| 005621-0 | Auxiliary Transfer Switch Contact Kit | The auxiliary transfer switch contact kit allows the transfer switch to lock out a single large electrical load you may not need. |
| 006160-0 | Paint Kit | If the generator enclosure is scratched or damaged, it is important to touch-up the paint to protect from future corrosion. The paint kit includes the necessary paint to properly maintain or touch-up a generator enclosure. |
| 006482-0 (8 kW) 006483-0 (11 kW) | Scheduled Maintenance Kit | Scheduled maintenance kits provide all the hardware necessary to perform complete routine maintenance on a Honeywell automatic standby generator. |
| 006200-0 | PMM Starter Kit | The PMM Starter Kit consists of a 24 VAC, field installed transformer that enables the use of the 24 VAC Power Management Modules (PMMs) and one PMM. The standard controller (without starter kit) can control two HVAC loads with no additional hardware. Not compatible with pre-wired switches. |
| 006187-0 | Power Management Module (50 Amps) | Power Management Modules are used in conjunction with the Sync Smart Switch to increase its power management capabilities. It gives the Sync Smart Switch additional power management flexibility not found in any other transfer switch. Not compatible with pre-wired switches. Note: PMM Starter Kit required. |

DIMENSIONS & UPCs



LEFT SIDE VIEW



FRONT VIEW

| Model | UPC |
|----------|--------------|
| 006703-0 | 696471067033 |
| 006442-0 | 696471064421 |

Generac Power Systems, Inc.

S45 W29290 Hwy. 59

Waukesha, WI 53187

Tel: 1-855-GEN-INFO

honeywellgenerators.com

0K8460-A

June 2014

© Generac Power Systems, Inc. All rights reserved.
Specifications subject to change without notice.

The Honeywell Trademark is used under
license from Honeywell International Inc.

Honeywell International Inc. makes no representation
or warranties with respect to this product.

This product is manufactured by Generac Power Systems, Inc.

Honeywell