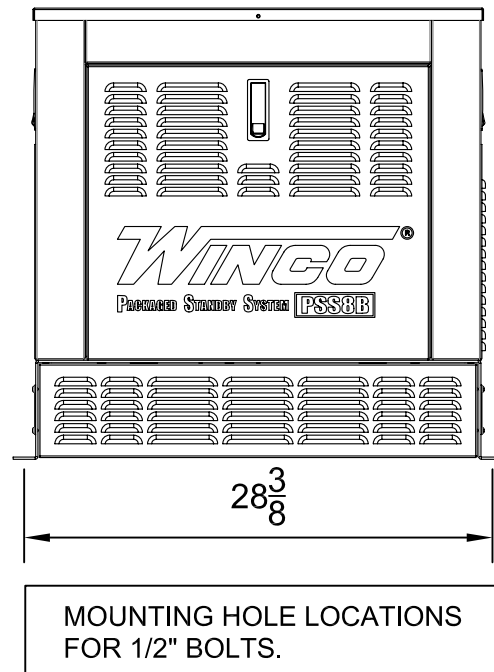


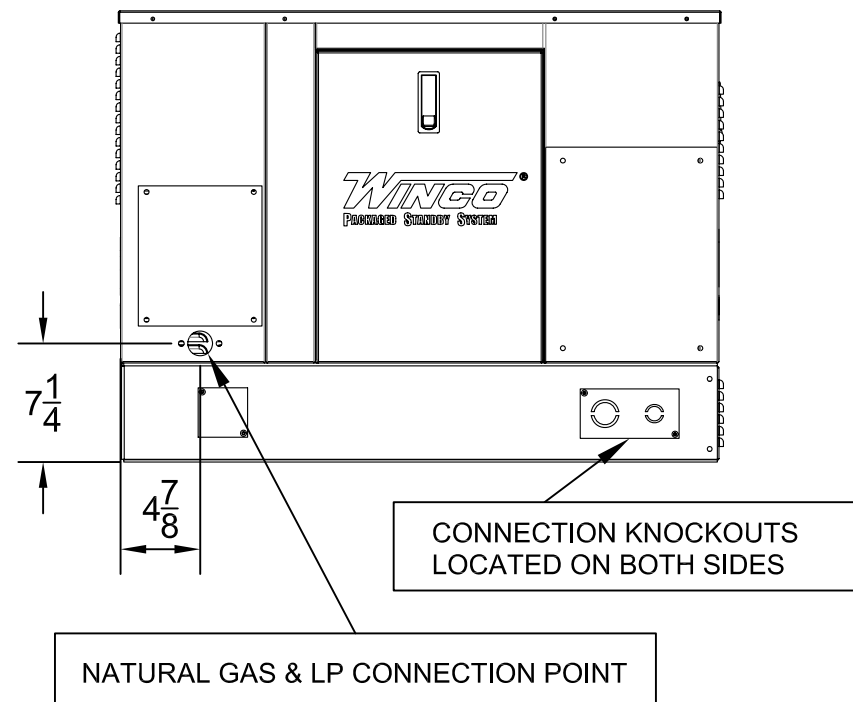
16400-101

REVISION RECORD					
ISSUE	E.C.O. NO.	DESCRIPTION	DATE	BY	APPD
1		ORIGINAL	---	---	

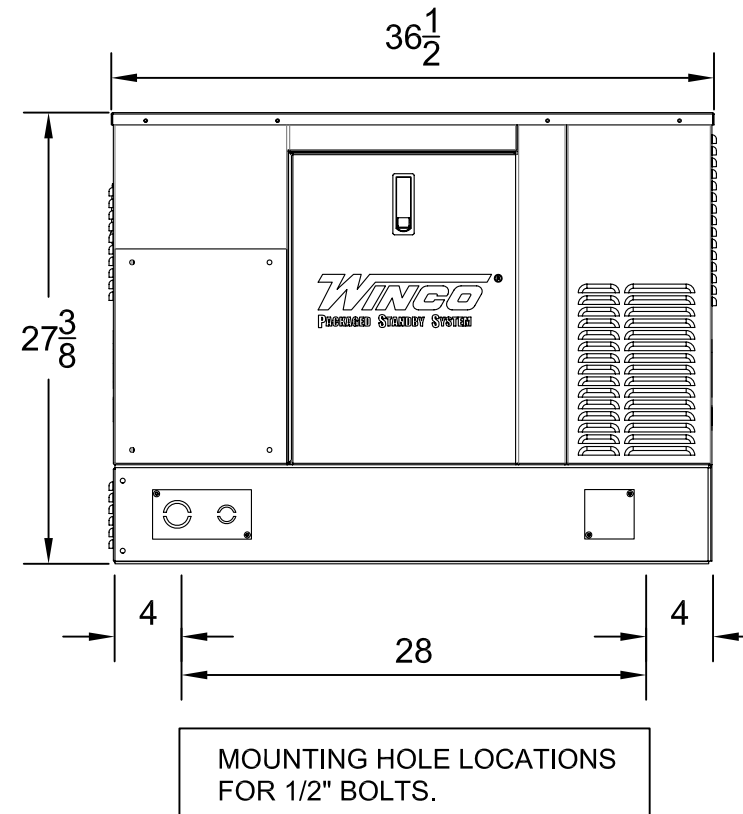
REAR VIEW



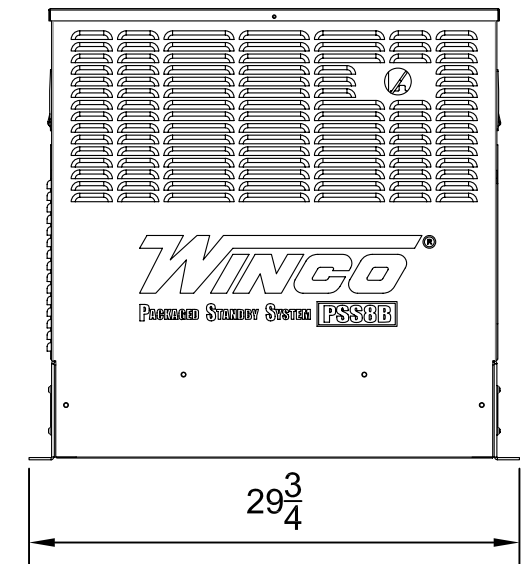
LEFT SIDE VIEW



RIGHT SIDE VIEW



FRONT VIEW



OUTLINE DRAWING ULPSS8B4W/E
 OUTLINE DRAWING ULPSS8B2W/E

UNLESS OTHERWISE SPECIFIED		MACHINED SURFACE TEXTURE		FLAT VIEW OUTSIDE SURFACE UNLESS NOTED			
FRACTIONS ±		ANGULAR		ALL DIMENSIONS GIVEN IN INCHES			
1. PLACE DEC. ± .1		± 1.5°		WORK TO DIMENSIONS			
2. PLACE DEC. ± .03				- DO NOT SCALE -			
3. PLACE DEC. ± .005							
THIS DRAWING CONTAINS PROPRIETARY INFORMATION BELONGING TO WINCO. UNAUTHORIZED USE IS PROHIBITED.	DRAWN BY	DATE	CHKD BY	DATE	APPD BY	DATE	SCALE
	DJR	10/11/11	DJR	2/28/12			1=1
	MATERIAL:						
	x						
FINISH		TITLE		OUTLINE DRAWING			
x							
ASSY		x					
MODEL		ULPSS8B4W & 2W/E		PART NO.			
		WINGO INCORPORATED		16400-101			