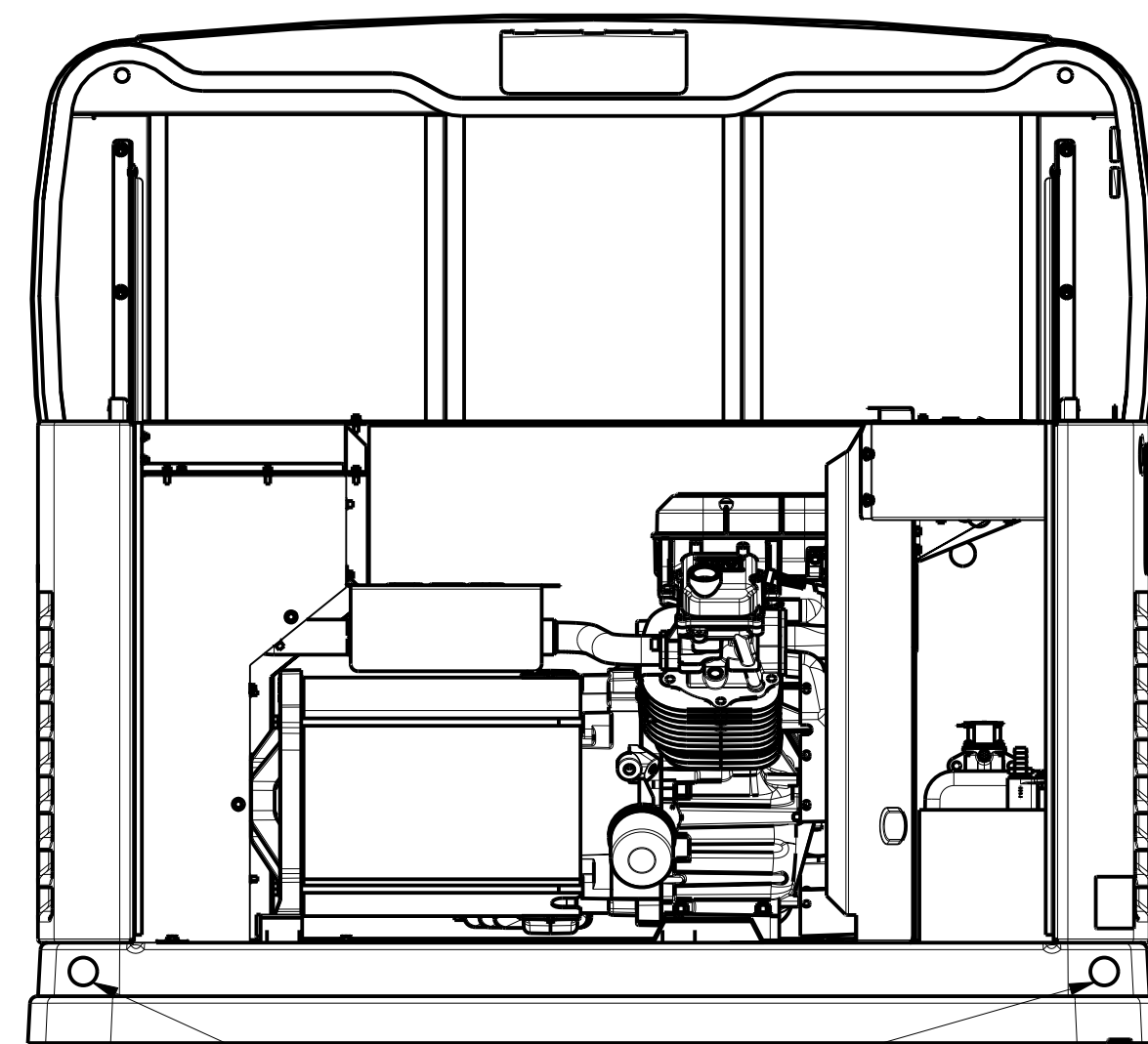


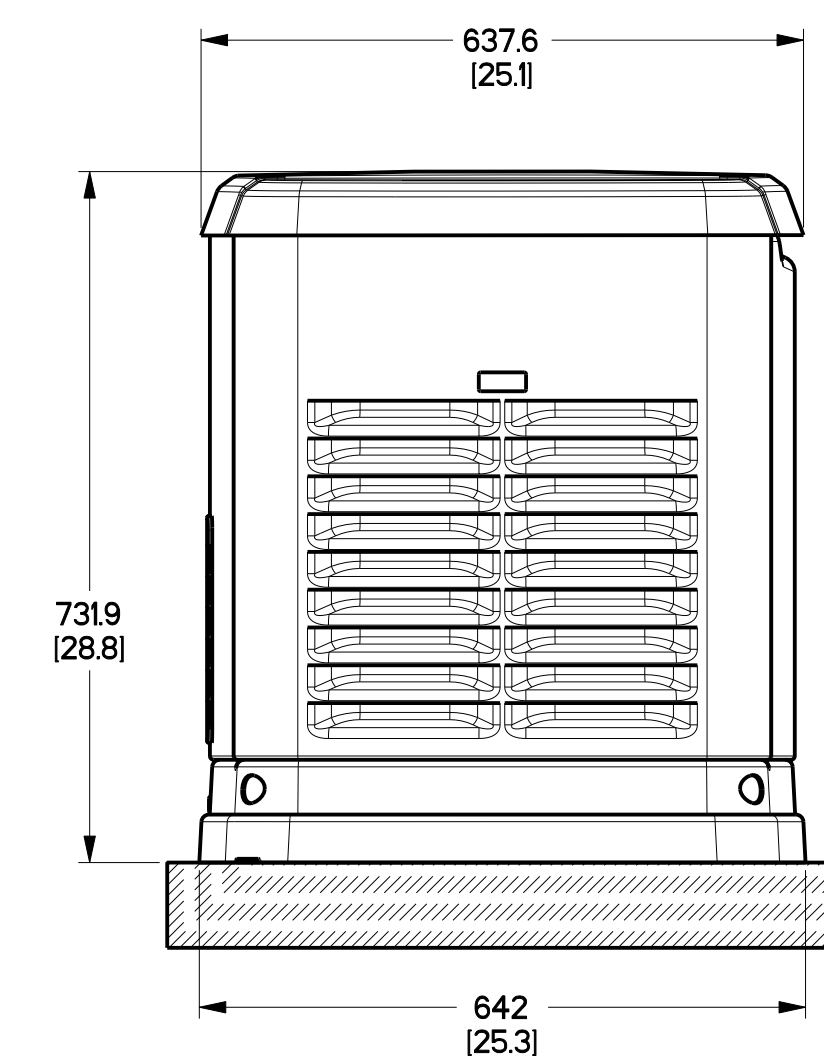
TRANSFER SWITCH  
8KW - 17KW  
(IF SUPPLIED)

TRANSFER SWITCH  
20KW  
(IF SUPPLIED)

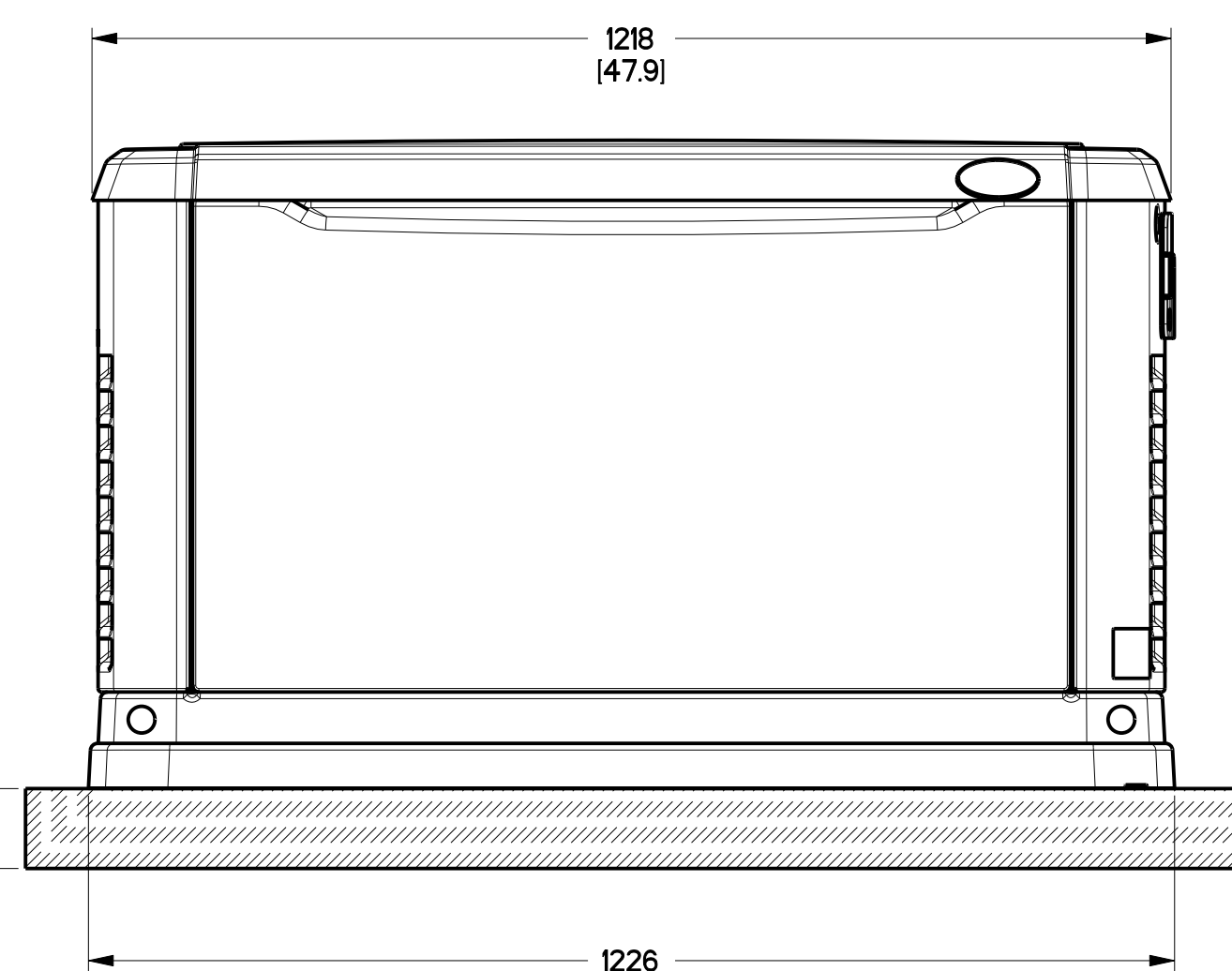


Ø 30.2 (Ø 1.2)  
LIFTING HOLES 4 CORNERS

"DO NOT LIFT BY ROOF"

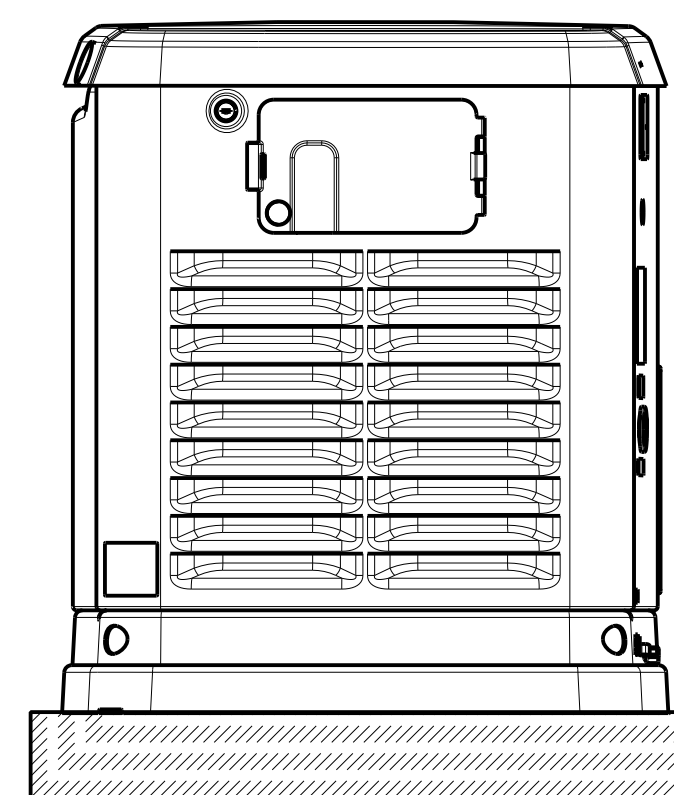


LEFT SIDE VIEW

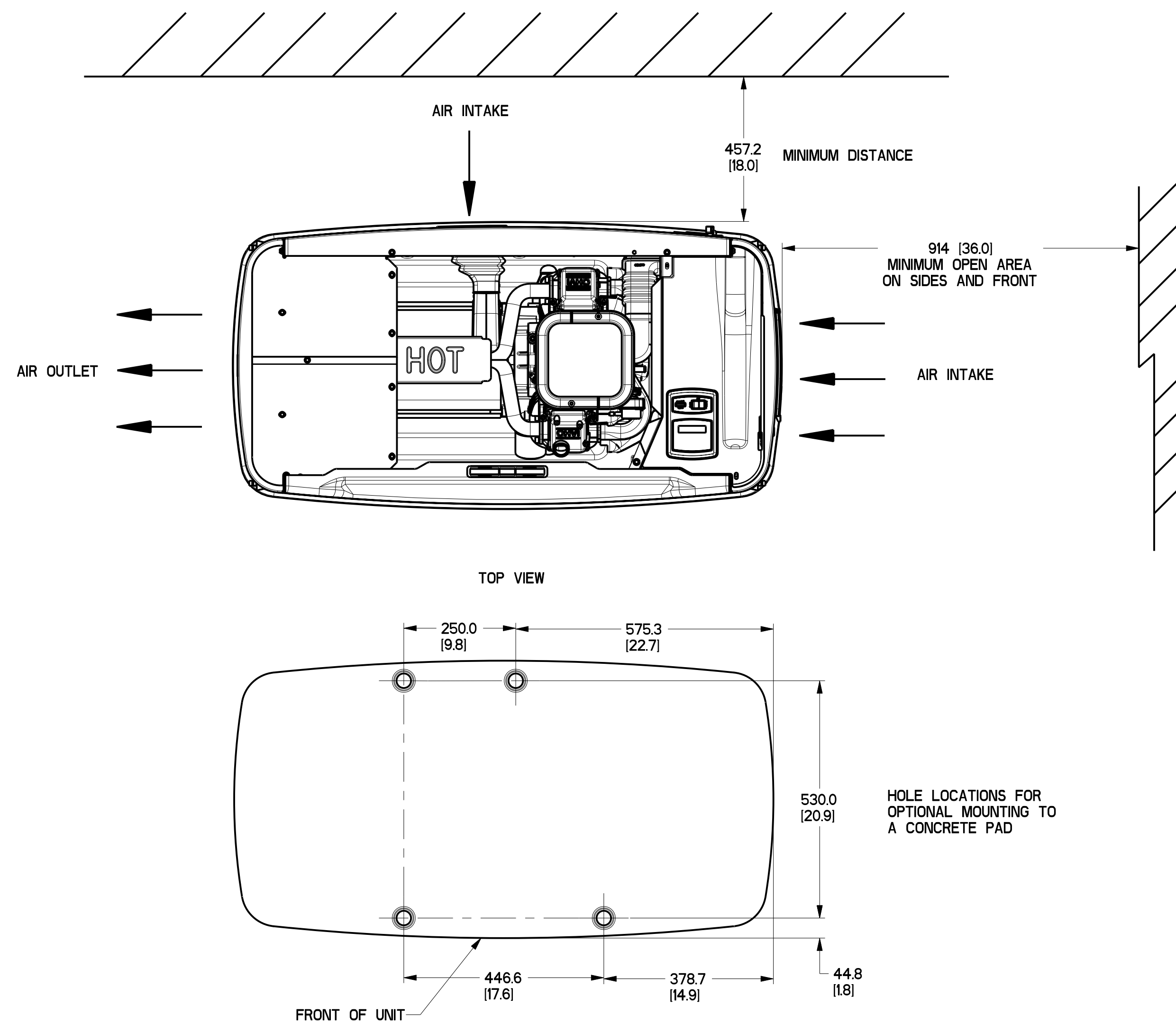


FRONT VIEW

76.2 (3.0)  
PEA GRAVEL  
MINIMUM



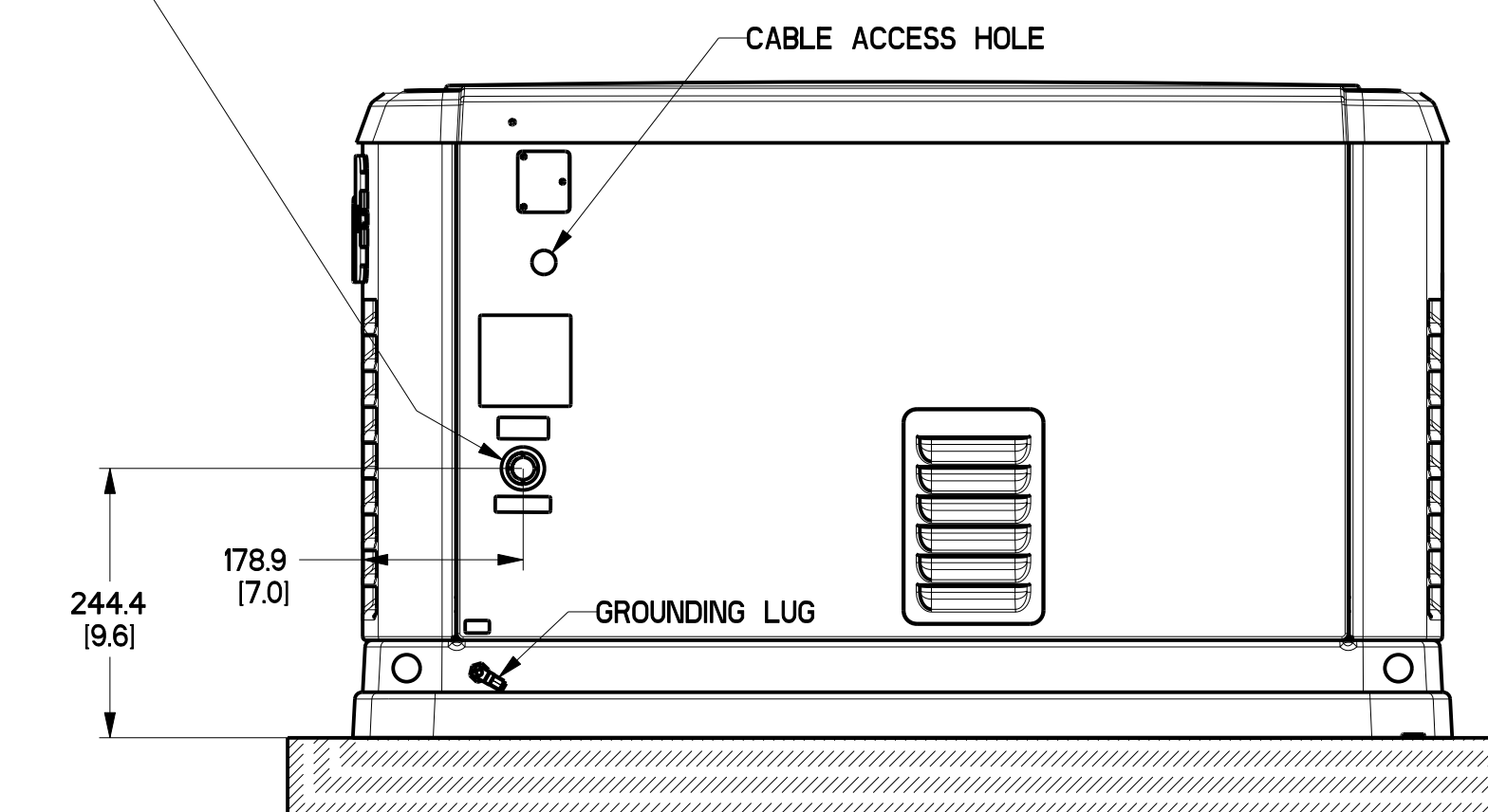
RIGHT SIDE VIEW



TOP VIEW

FRONT OF UNIT

FUEL INLET - 12-20KW (1/2" NPT)  
8 & 10KW (3/4" NPT) - USE SUPPLIED ADAPTER  
REQUIRED FUEL PRESSURE: NATURAL GAS : 5-7" WATER COLUMN  
LIQUID PROPANE (VAPOR) : 10-12" WATER COLUMN



REAR VIEW

\*\*ALL DIMENSIONS IN:  
MILLIMETERS (INCHES)