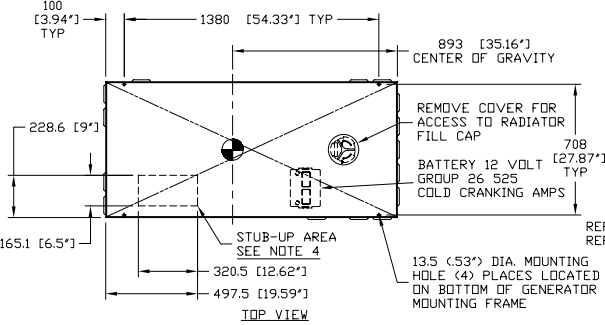


0G5116

NOTES:

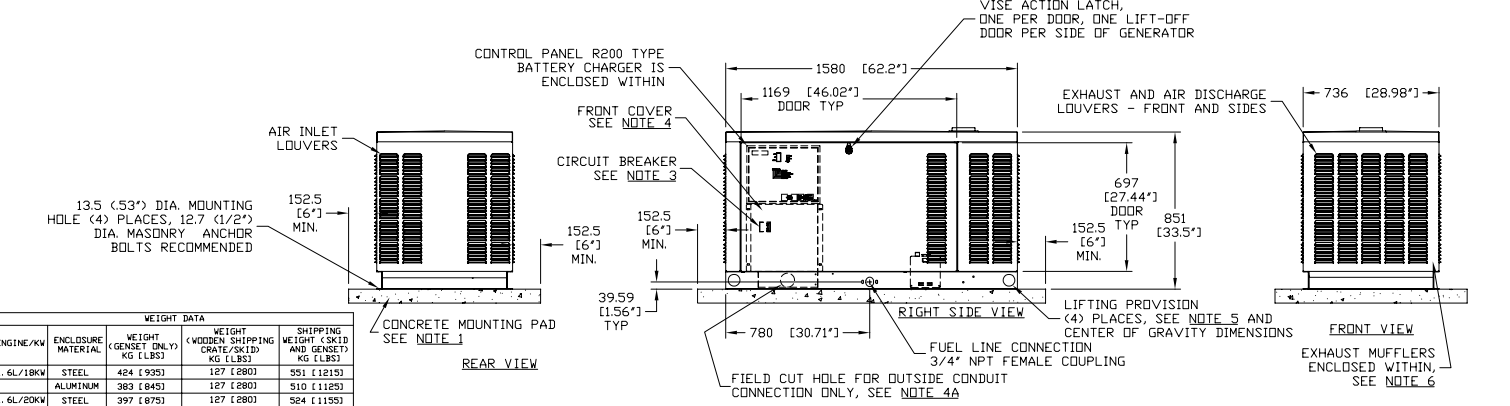
- 1) MINIMUM RECOMMENDED CONCRETE PAD SIZE: 1041 (41.0') WIDE X 1892 (74.5') LONG. REFERENCE INSTALLATION GUIDE SUPPLIED WITH UNIT FOR CONCRETE PAD GUIDELINES.
- 2) ALLOW SUFFICIENT ROOM ON ALL SIDES OF THE GENERATOR FOR MAINTENANCE AND SERVICING. THIS UNIT MUST BE INSTALLED IN ACCORDANCE WITH CURRENT APPLICABLE NFPA 37 AND NFPA 70 STANDARDS AS WELL AS ANY OTHER FEDERAL, STATE AND LOCAL CODES FOR MINIMUM DISTANCES FROM OTHER STRUCTURES.
- 3) CIRCUIT BREAKER INFORMATION: SEE SPECIFICATION SHEET WITHIN OWNERS MANUAL.
- 4) INSIDE STUB-UP AREA FOR AC LOAD LEAD CONDUIT CONNECTION, NEUTRAL CONNECTION, BATTERY CHARGER 120 VOLT AC (.5 AMP MAX.) CONNECTION, ACCESS TO TRANSFER SWITCH CONTROL WIRES AND TRANSFER SWITCH CONNECTION (IF SO EQUIPPED). REMOVE FRONT COVER FOR ACCESS.
- 4A) FIELD CUT HOLE IS ONLY REQUIRED FOR MOUNTING OF GENERATOR ON AN EXISTING HOLE.
- 5) REFERENCE OWNERS MANUAL FOR LIFTING WARNINGS.
- 6) REMOVE LIFT-OFF ENCLOSURE TO ACCESS EXHAUST MUFFLER.



SERVICE ITEM ACCESSIBILITY CHART

SERVICE ITEM	ACCESS
OIL FILL CAP	EITHER DOOR
OIL DIP STICK	THRU RIGHT DOOR
OIL FILTER	THRU RIGHT DOOR
OIL DRAIN HOSE	THRU RIGHT DOOR
RADIATOR DRAIN HOSE	THRU RIGHT DOOR
AIR CLEANER ELEMENT	THRU RIGHT DOOR
SPARK PLUGS	THRU RIGHT DOOR
MUFFLERS	SEE NOTE 6
FAN BELT	THRU RIGHT DOOR
BATTERY	THRU RIGHT DOOR

REFERENCE OWNERS MANUAL FOR PERIODIC REPLACEMENT PART LISTINGS



WEIGHT DATA

ENGINE/KW	ENCLOSURE MATERIAL	WEIGHT (GENSET ONLY) KG (LBS)	WEIGHT (WOODEN SHIPPING CRATE/SKID) KG (LBS)	SHIPPING WEIGHT (SKID AND GENSET) KG (LBS)
1. 6L/18KW	STEEL	424 (935)	127 (280)	551 (1215)
	ALUMINUM	383 (845)	127 (280)	510 (1125)
1. 6L/20KW	STEEL	397 (875)	127 (280)	524 (1155)
	ALUMINUM	356 (785)	127 (280)	483 (1065)
1. 6L/25KW	STEEL	397 (875)	127 (280)	524 (1155)
	ALUMINUM	356 (785)	127 (280)	483 (1065)
1. 6L/30KW	STEEL	424 (935)	127 (280)	551 (1215)
	ALUMINUM	383 (845)	127 (280)	510 (1125)

GENERAC POWER SYSTEMS OWNS THE COPYRIGHT OF THIS DRAWING WHICH IS SUPPLIED IN CONFIDENCE AND MUST NOT BE USED FOR ANY PURPOSE OTHER THAN FOR WHICH IT IS SUPPLIED WITHOUT THE EXPRESS WRITTEN CONSENT OF GENERAC POWER SYSTEMS.

© GENERAC POWER SYSTEMS 2001

INSTALLATION DRAWING

C1 CPL

GENERAC POWER SYSTEMS
Waukesha
 P.O. BOX 8
 WAUKESHA, WIS. 53187

FILE NAME	0G5116-B.DWG	SIZE	B
SCALE	1 = 20	FIRST USE	QT SERIES
DWG NO.	0G5116	REV	B

INSTALLATION DRAWING